



US00D942229S

(12) **United States Design Patent** (10) **Patent No.:** **US D942,229 S**
Kraemer (45) **Date of Patent:** **** Feb. 1, 2022**

- (54) **HOLDER**
- (71) Applicant: **Metro Decor LLC**, Glenwillow, OH (US)
- (72) Inventor: **Kevin Francis Kraemer**, Chagrin Falls, OH (US)
- (73) Assignee: **Metro Decor, LLC**, Glenwillow, OH (US)
- (**) Term: **15 Years**
- (21) Appl. No.: **29/733,318**
- (22) Filed: **Apr. 30, 2020**

Related U.S. Application Data

- (60) Division of application No. 29/678,010, filed on Jan. 25, 2019, now Pat. No. Des. 902,594, which is a continuation of application No. 29/638,819, filed on Mar. 1, 2018, now Pat. No. Des. 842,606, which is a continuation of application No. 29/546,621, filed on Nov. 24, 2015, now Pat. No. Des. 811,768, which is a continuation of application No. 29/423,096, filed on May 29, 2012, now Pat. No. Des. 746,643.
- (51) **LOC (13) Cl.** **15-07**
- (52) **U.S. Cl.**
USPC **D7/701**; D15/89
- (58) **Field of Classification Search**
USPC D7/701, 704, 707, 708; 206/427, 429; 211/71.01, 72, 74, 189, 194; D15/89
CPC A47B 73/006; A47B 73/008; A47B 45/00; A47B 96/02; A47F 7/28; B01L 9/06
See application file for complete search history.

(56) **References Cited**

U.S. PATENT DOCUMENTS

- 3,788,487 A * 1/1974 Dawson A47F 1/065
211/49.1
- D261,891 S * 11/1981 Thompson D15/89

- D300,293 S * 3/1989 Casey D7/387
- D421,370 S * 3/2000 Hints D7/701
- D606,314 S * 12/2009 Neilsen D3/313
- D615,300 S * 5/2010 Brown D3/304
- D637,457 S * 5/2011 Thompson D7/600.1
- 7,984,806 B2 * 7/2011 Matheou B65D 71/70
206/499
- D663,776 S * 7/2012 Lira-Nunez D19/77
- D669,937 S * 10/2012 Lira-Nunez D19/77

(Continued)

OTHER PUBLICATIONS

mDesign Plastic Free-Standing Wine Rack Storage Organizer, May 17, 2016, <https://www.amazon.com/dp/B01AYJG168/> (Year: 2016).*

Primary Examiner — Nathan M Johnston

(74) *Attorney, Agent, or Firm* — Calfee, Halter & Griswold LLP

(57) **CLAIM**

I claim the ornamental design for a holder, as shown and described.

DESCRIPTION

FIG. 1 is a front/left/top perspective view of a holder (front/right/top perspective view thereof would be a mirror image);

FIG. 2 is a rear/right/bottom perspective view thereof (rear/left/bottom perspective view thereof would be a mirror image);

FIG. 3 is a front elevational view thereof;

FIG. 4 is a rear elevational view thereof;

FIG. 5 is a left side elevational view thereof;

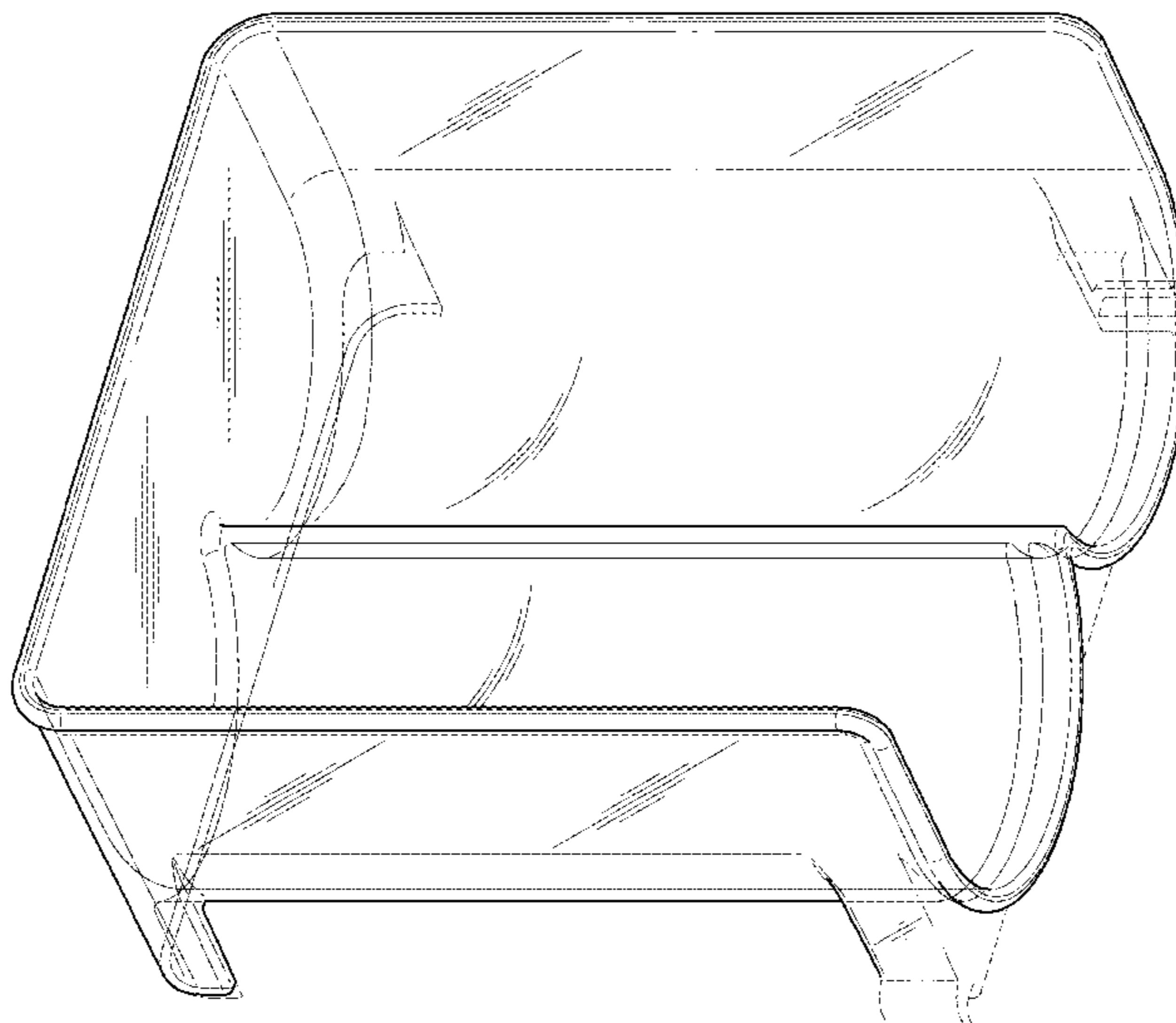
FIG. 6 is a right side elevational view thereof;

FIG. 7 is a top plan view thereof; and,

FIG. 8 is a bottom plan view thereof.

The uniformly broken lines represent portions of the holder that form no part of the claimed design; the dash-dot broken lines represent the bounds of the claimed design and form no part of the claimed design.

1 Claim, 8 Drawing Sheets



(56)

References Cited

U.S. PATENT DOCUMENTS

D747,628 S *	1/2016	Kowalczyk	D7/600.1
D760,560 S *	7/2016	Chosovich	D7/701
2013/0026121 A1*	1/2013	Thompson	A47J 47/16 211/85.18

* cited by examiner

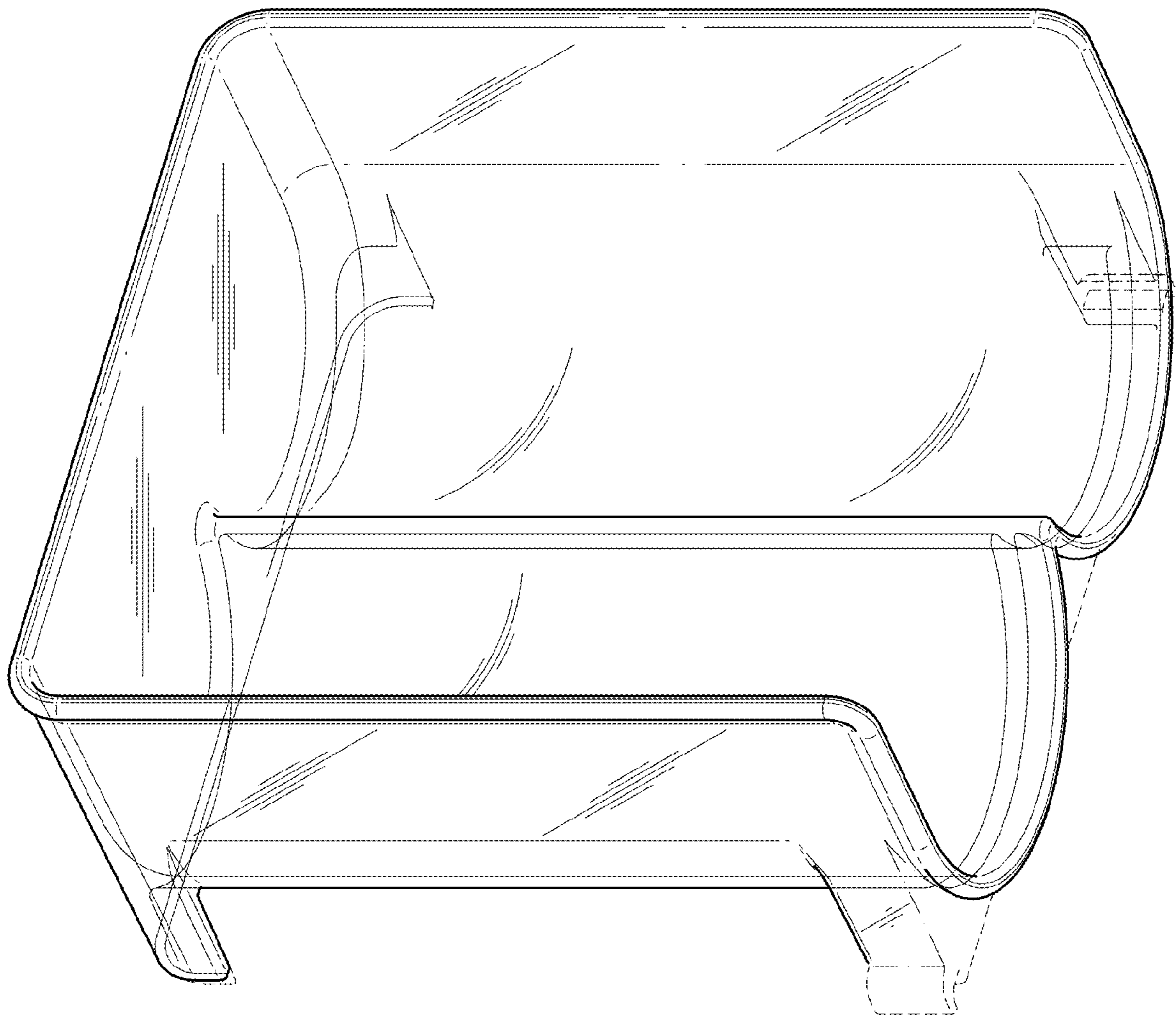


FIG. 1

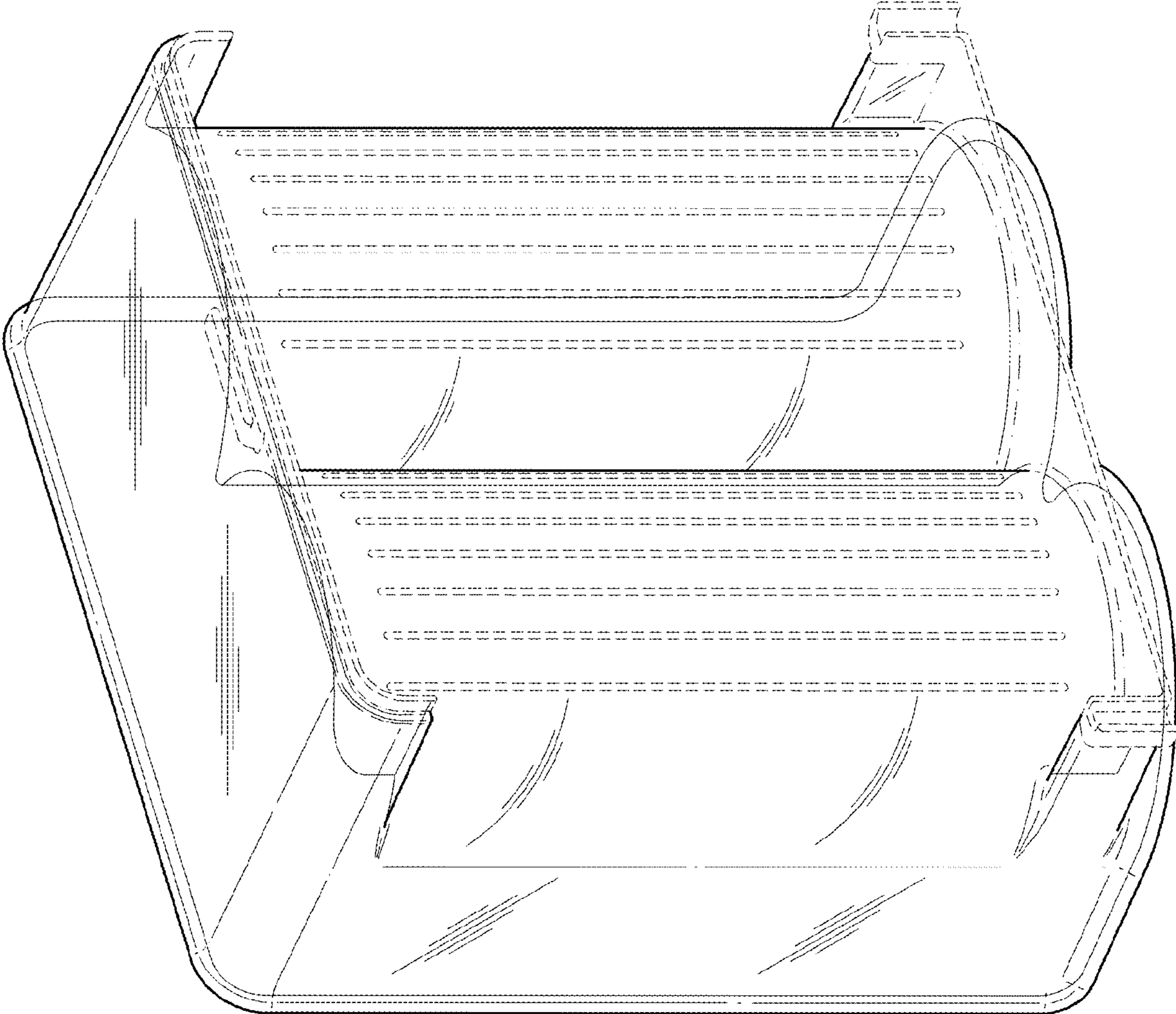


FIG. 2

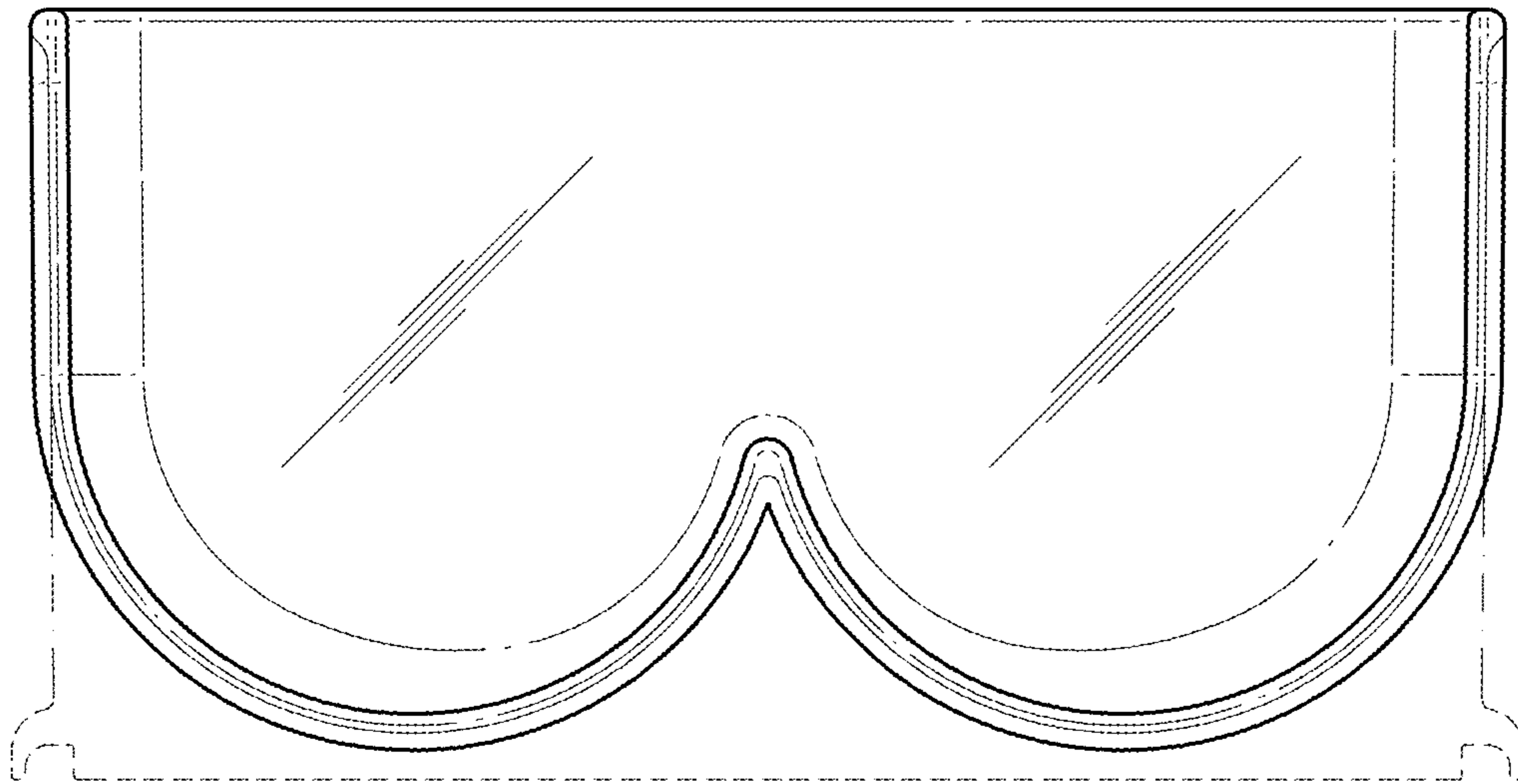


FIG. 3

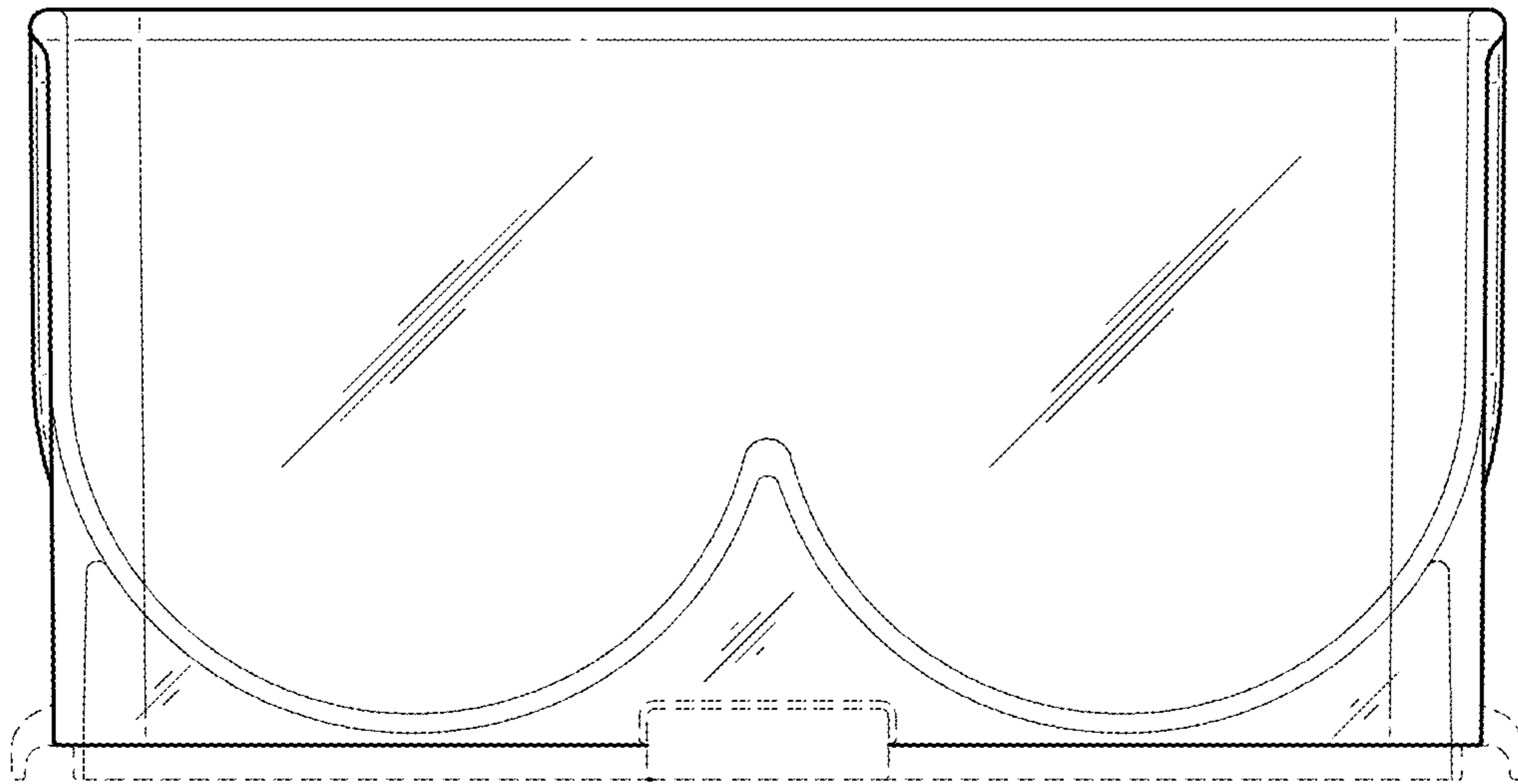


FIG. 4

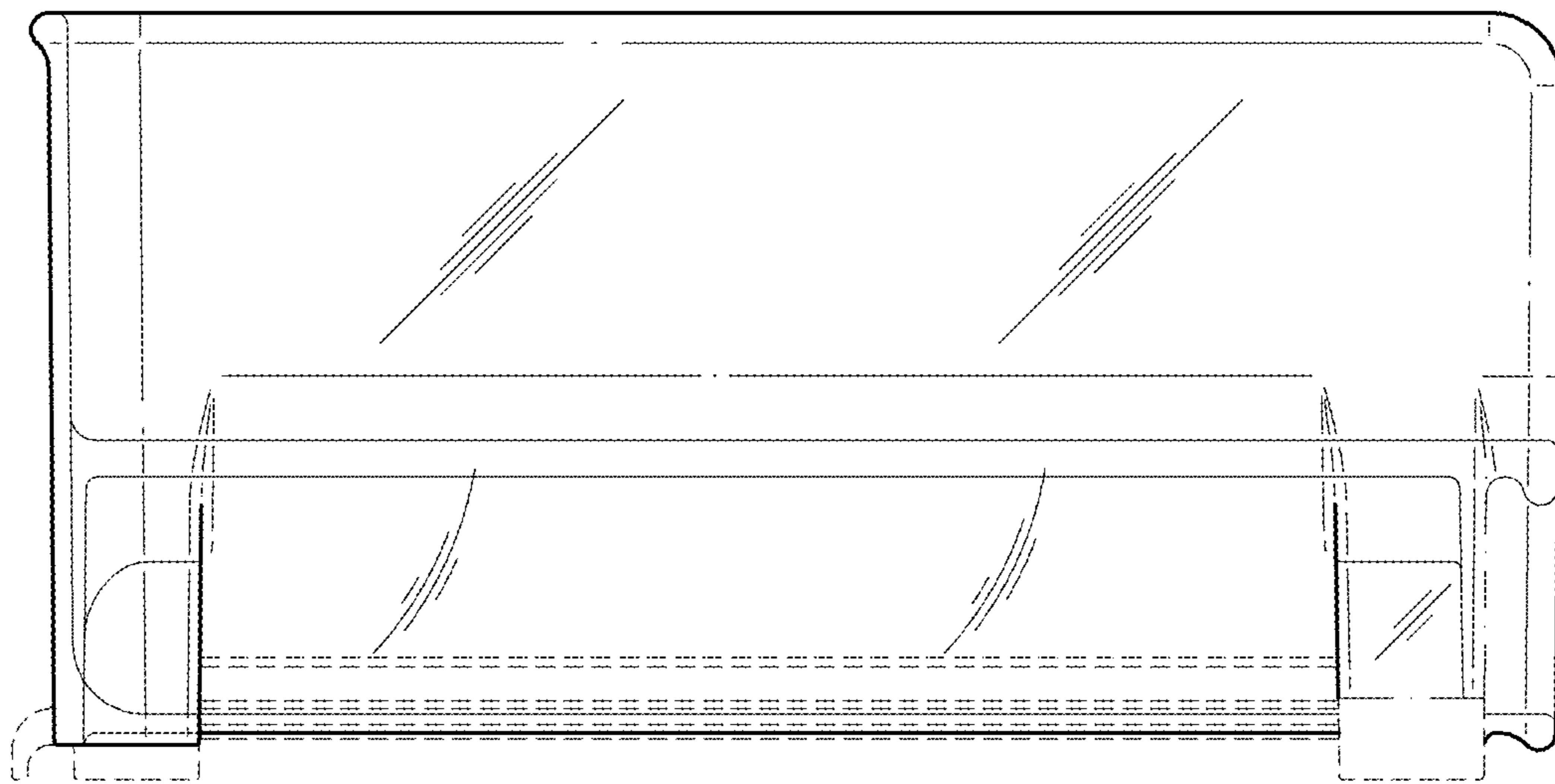


FIG. 5

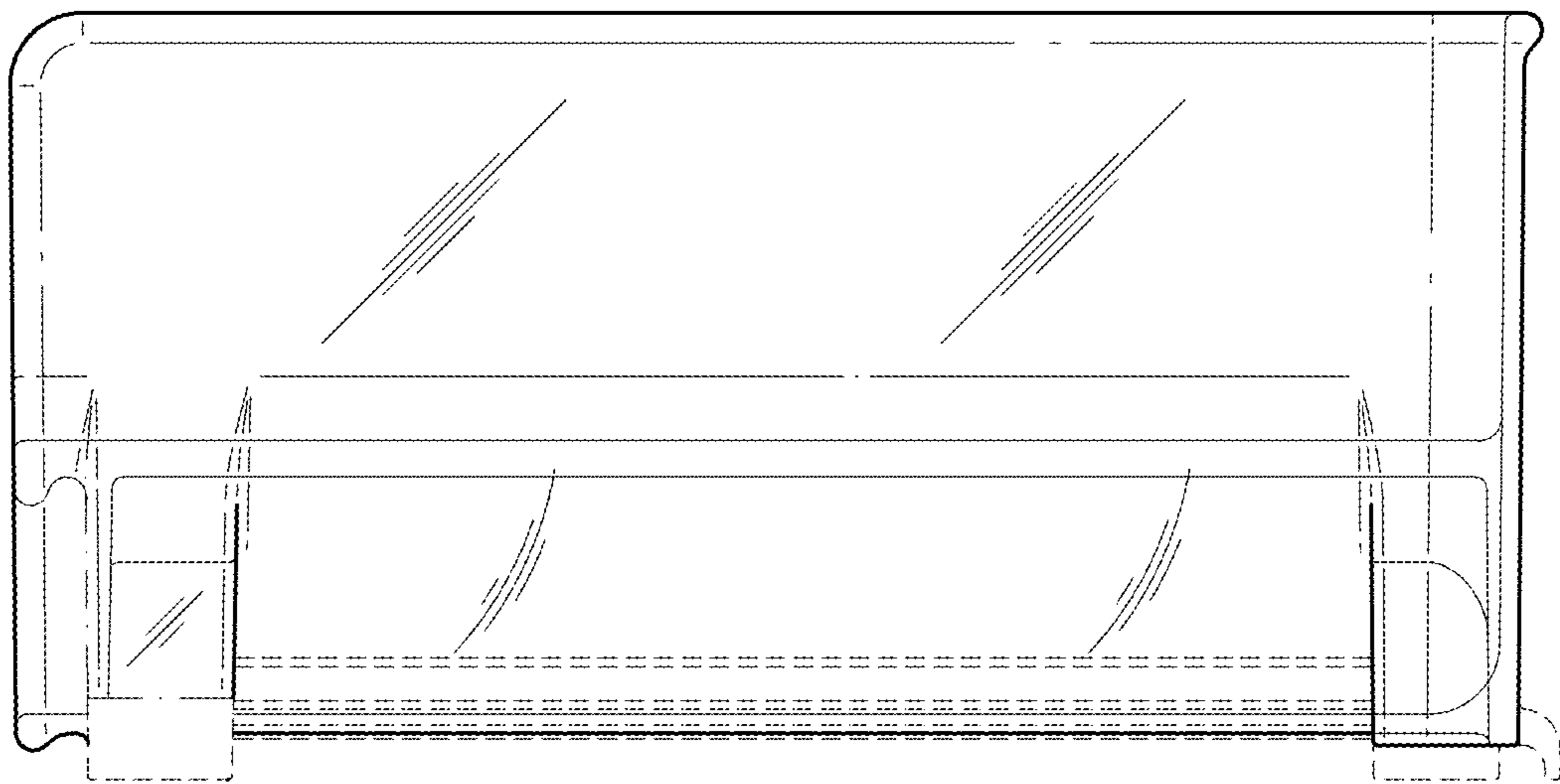


FIG. 6

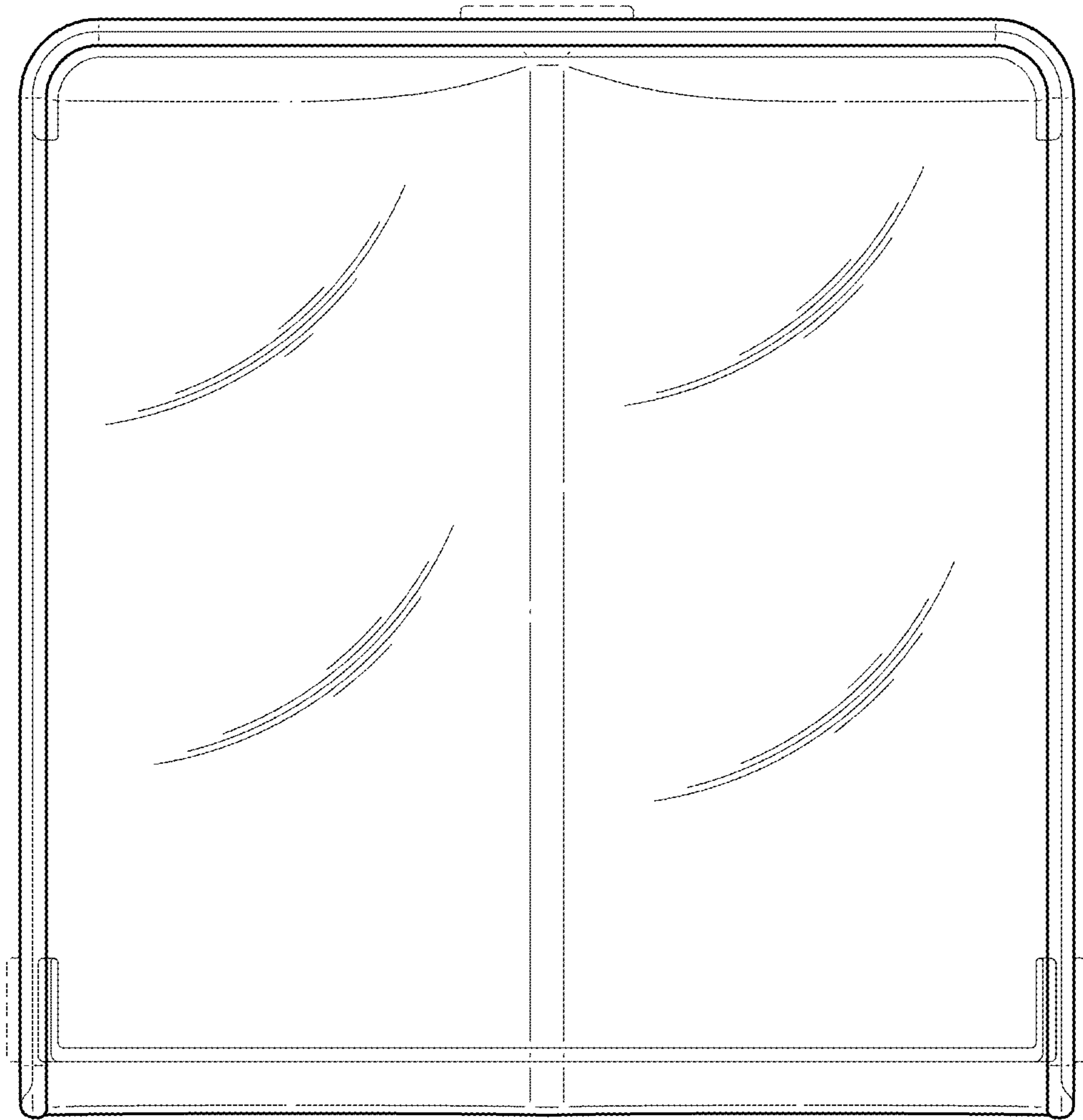


FIG. 7

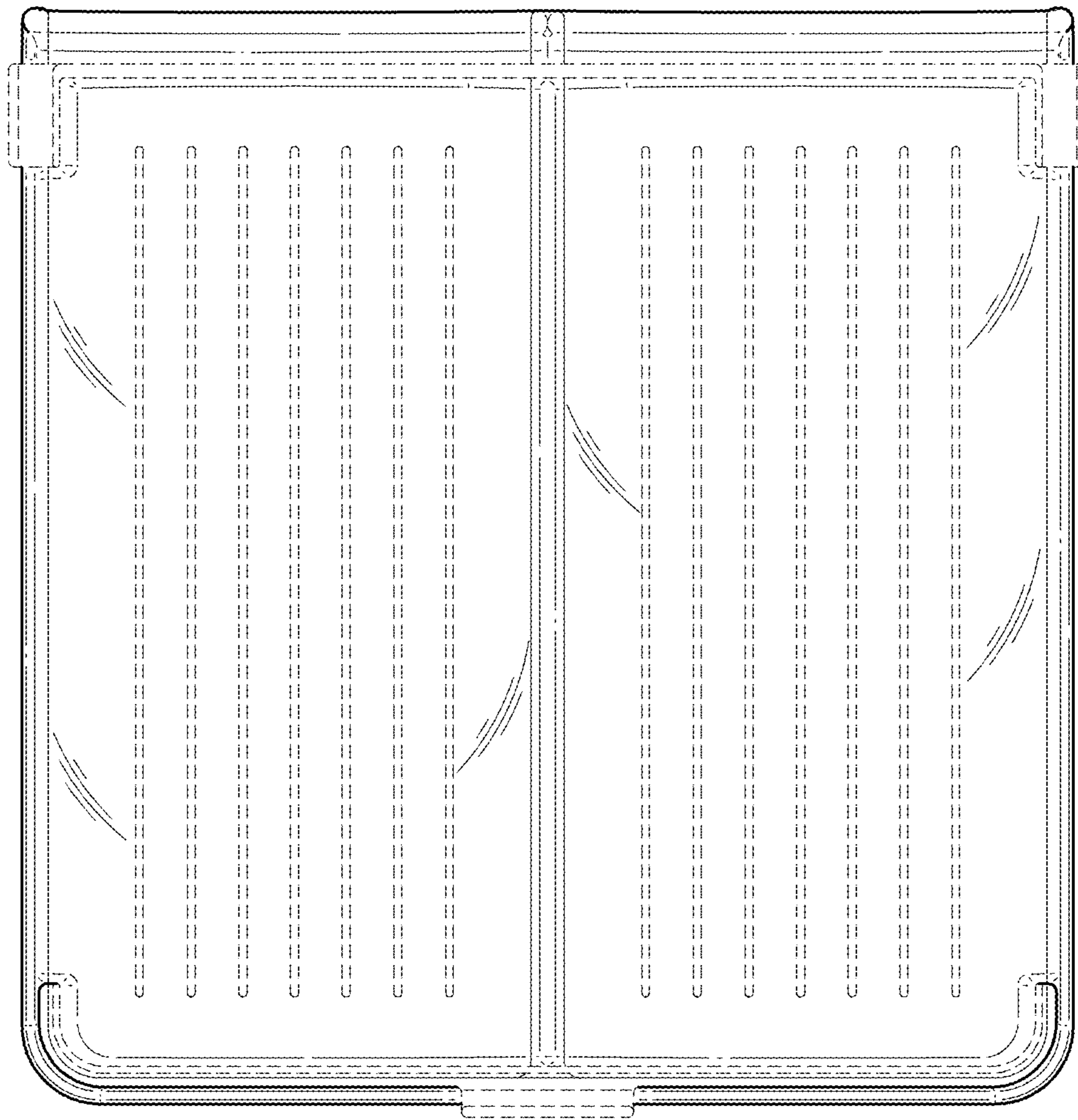


FIG. 8