



US00D942228S

(12) **United States Design Patent** (10) **Patent No.:** **US D942,228 S**
Yang (45) **Date of Patent:** **** Feb. 1, 2022**

(54) **CORN FORK**

8,061,746 B1 * 11/2011 Stephens, III A47J 17/10
294/61

(71) Applicant: **Xianrong Yang**, Jiangle (CN)

D755,585 S * 5/2016 Berge D7/683
2011/0241362 A1 * 10/2011 Fleming A47G 21/00
294/61

(72) Inventor: **Xianrong Yang**, Jiangle (CN)

(**) Term: **15 Years**

* cited by examiner

(21) Appl. No.: **29/769,961**

Primary Examiner — Terry A Wallace

(22) Filed: **Feb. 9, 2021**

(57) **CLAIM**

(51) **LOC (13) Cl.** **07-06**

The ornamental design for a corn fork, as shown and described.

(52) **U.S. Cl.**

USPC **D7/683**

(58) **Field of Classification Search**

USPC D7/680–696, 368, 669; D19/65

CPC A47G 19/303; A47G 19/00; A47G 19/30;

A47G 21/023; A47G 21/00; A47J 17/10

See application file for complete search history.

DESCRIPTION

FIG. 1 is a first perspective view of a corn fork showing my new design;

FIG. 2 is a second perspective view thereof;

FIG. 3 is a front view thereof;

FIG. 4 is a back view thereof;

FIG. 5 is a left side view thereof;

FIG. 6 is a right side view thereof;

FIG. 7 is a top view thereof; and,

FIG. 8 is a bottom view thereof.

The broken lines shown in the drawings depict portions of the corn fork in which the design is embodied that form no part of the claimed design.

(56) **References Cited**

U.S. PATENT DOCUMENTS

D26,777 S * 3/1897 Donnelly D7/683

D274,207 S * 6/1984 Lenaghan 294/5

D497,293 S * 10/2004 Cheng D7/683

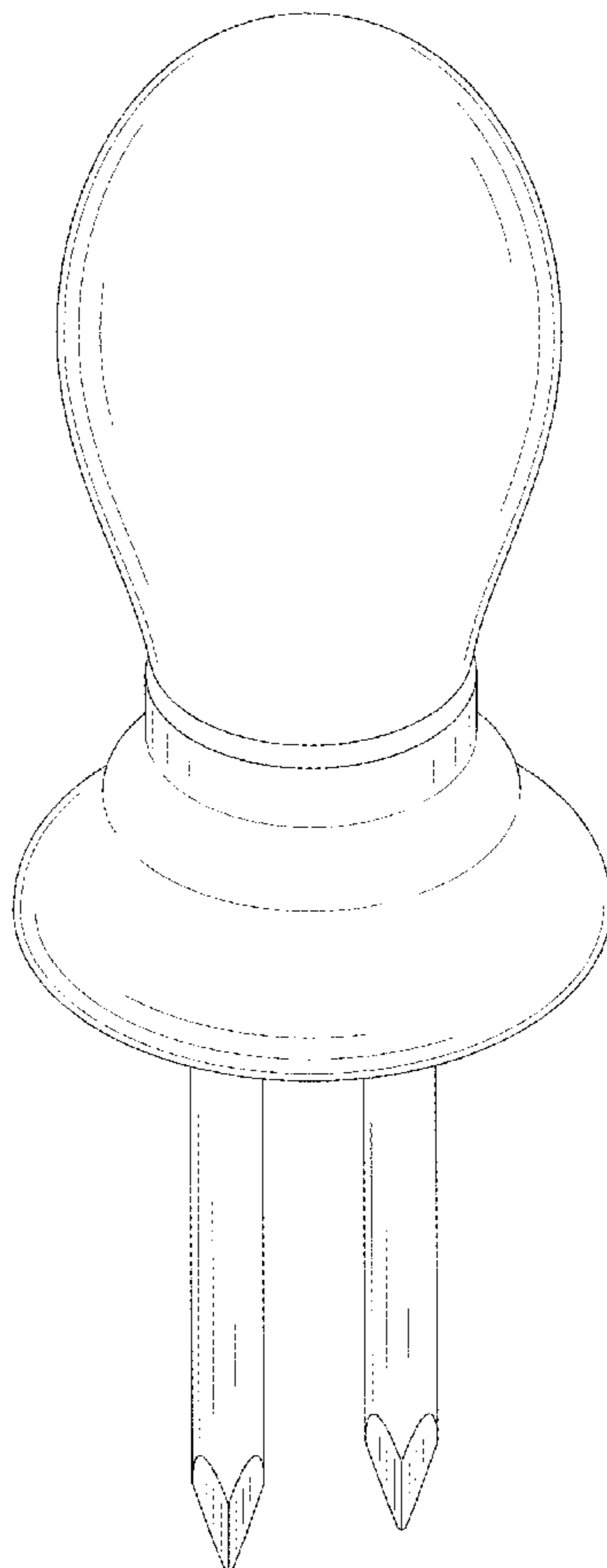
D525,835 S 8/2006 Moore

D562,089 S 2/2008 Peterson

D620,048 S * 7/2010 Lien D19/65

D624,792 S 10/2010 Ghassemian et al.

1 Claim, 8 Drawing Sheets



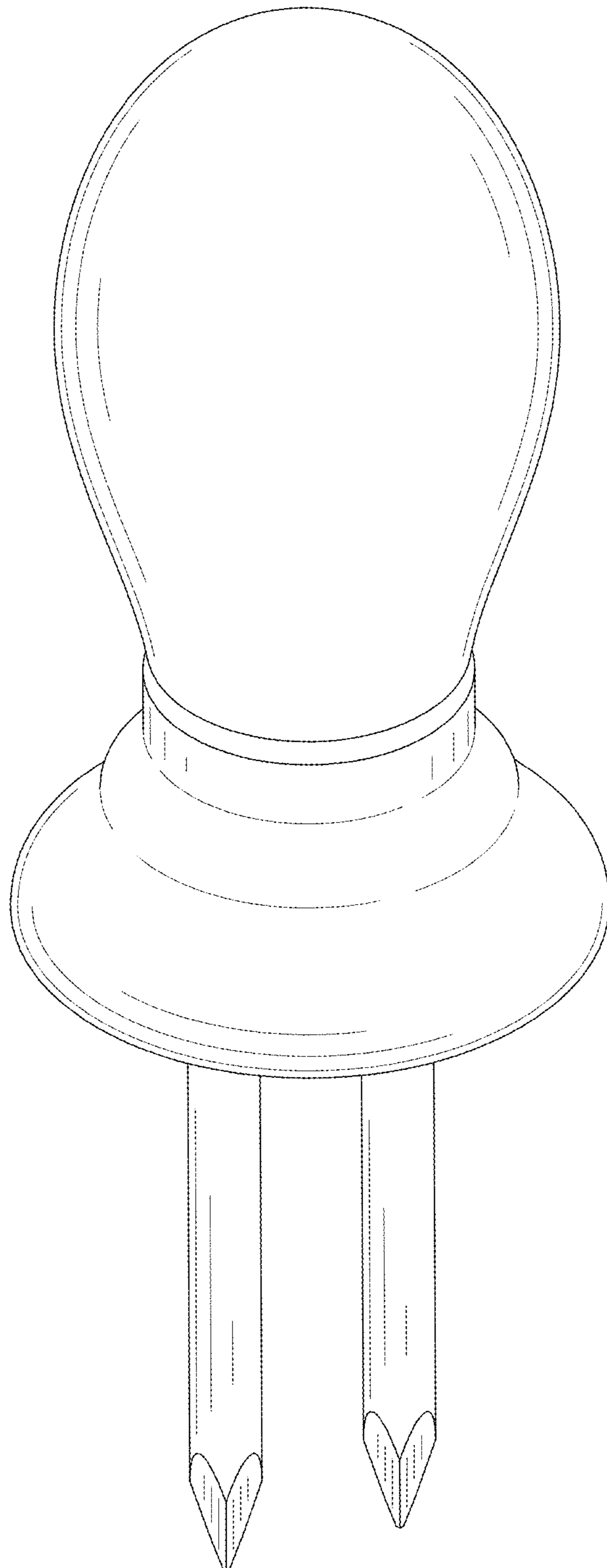


FIG. 1

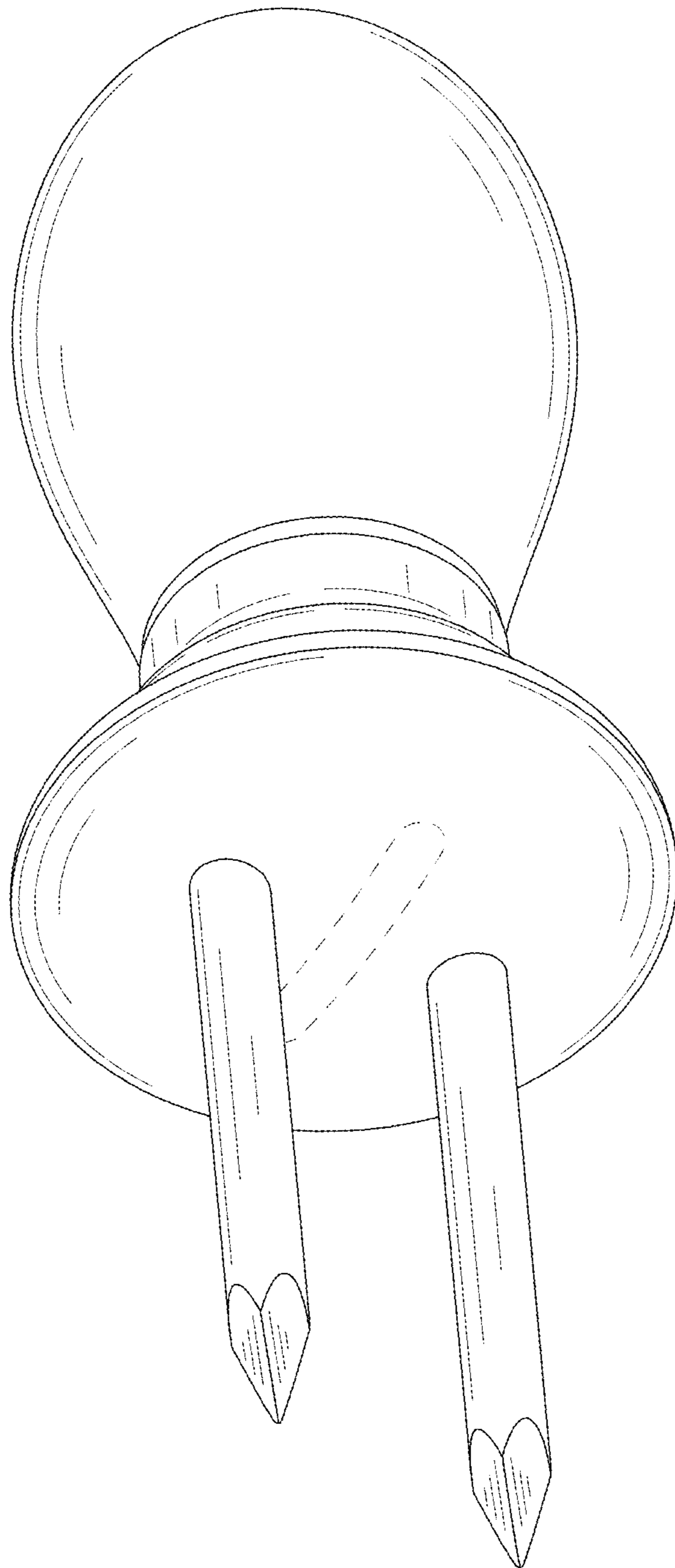


FIG. 2

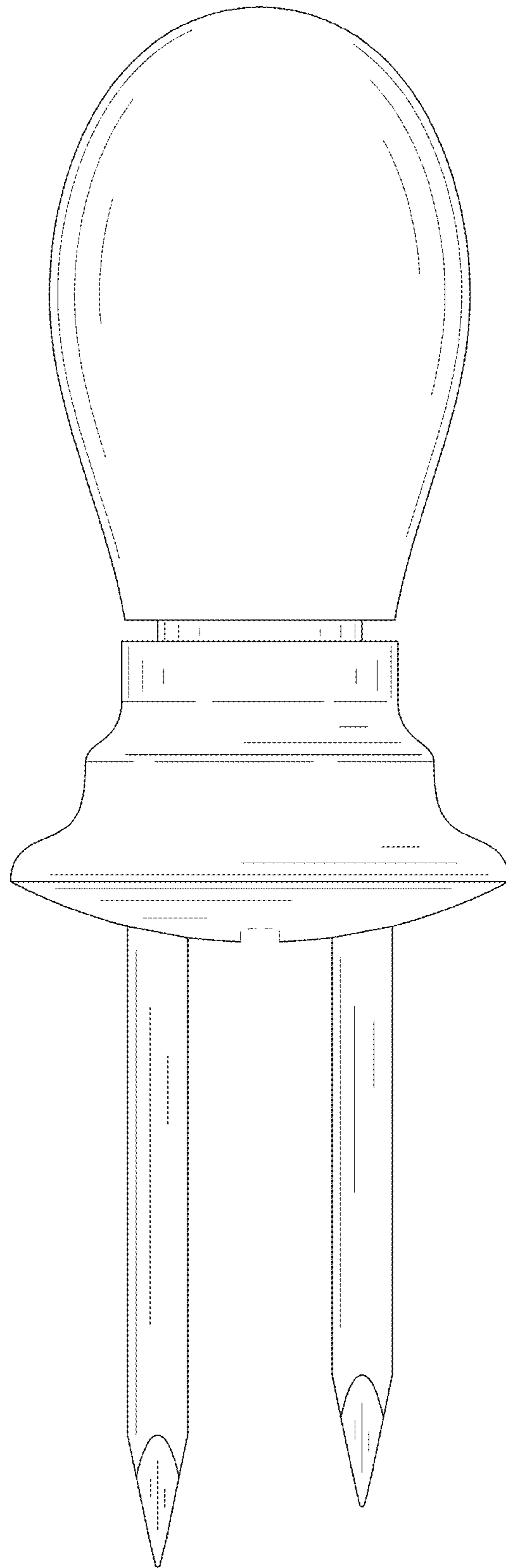


FIG. 3

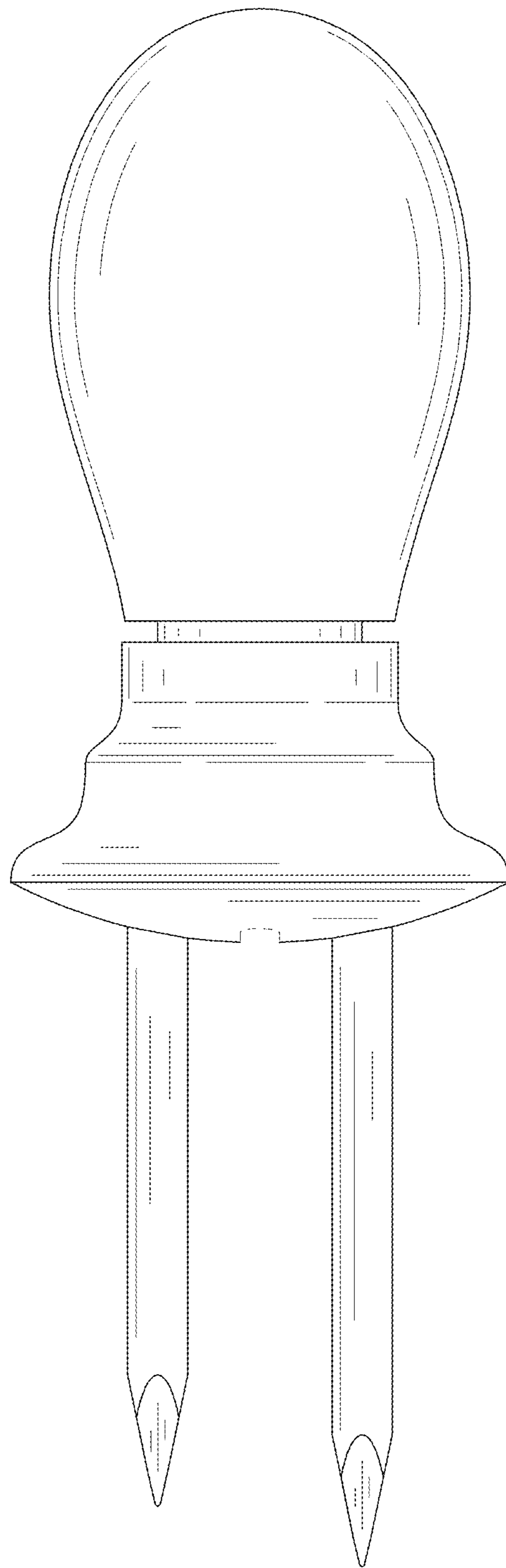


FIG. 4

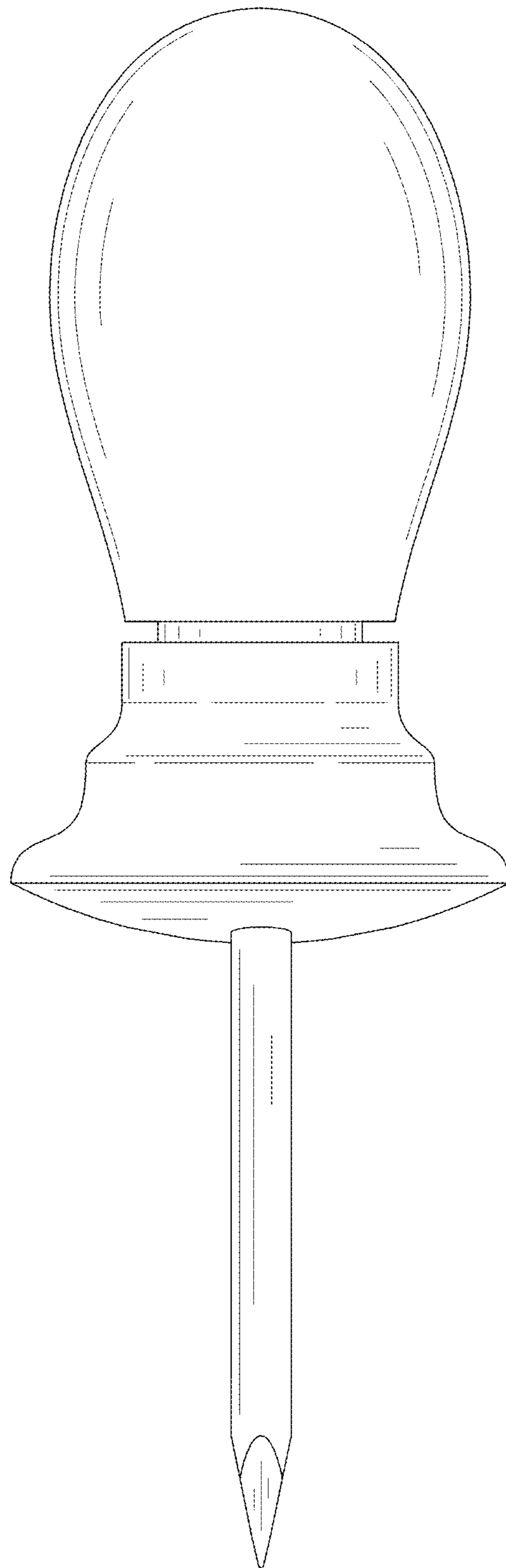


FIG. 5

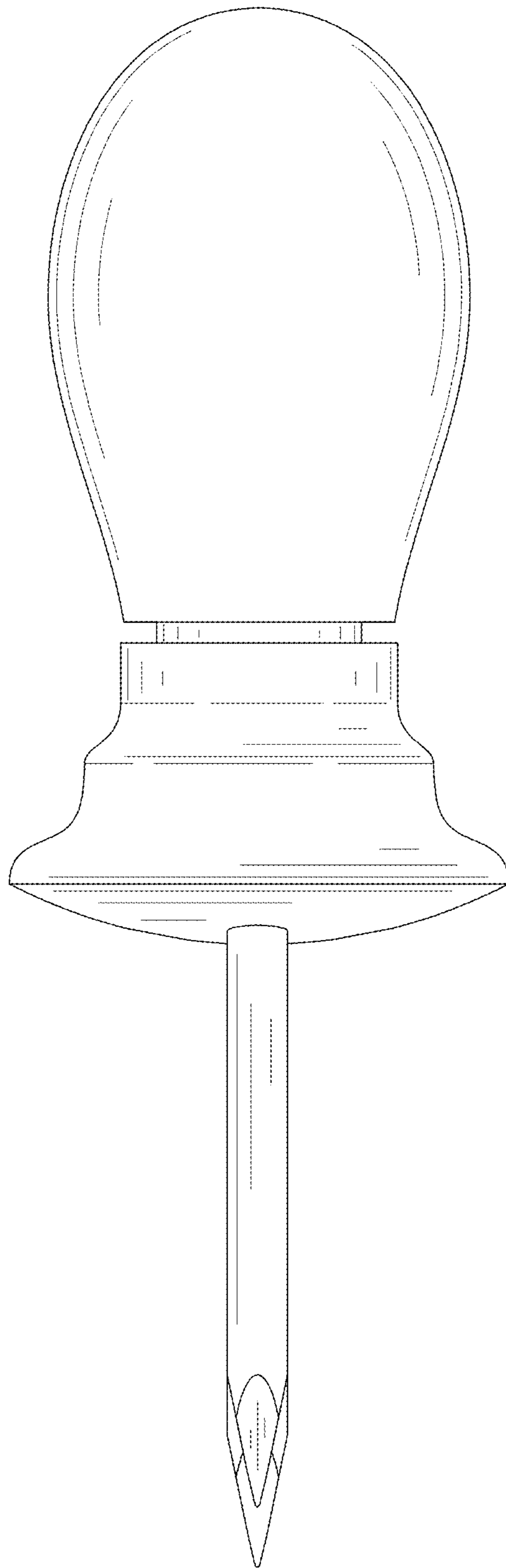


FIG. 6

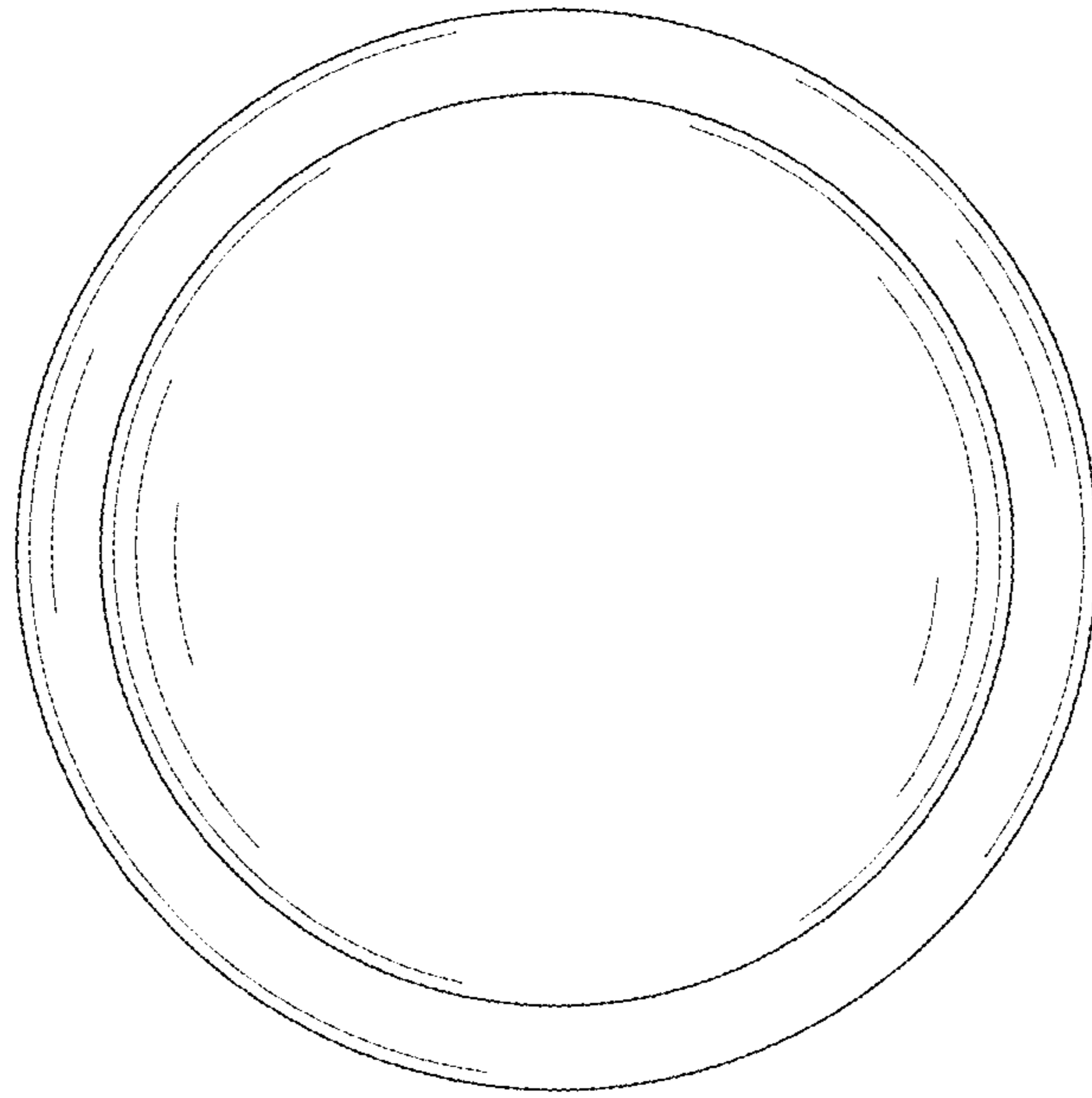


FIG. 7

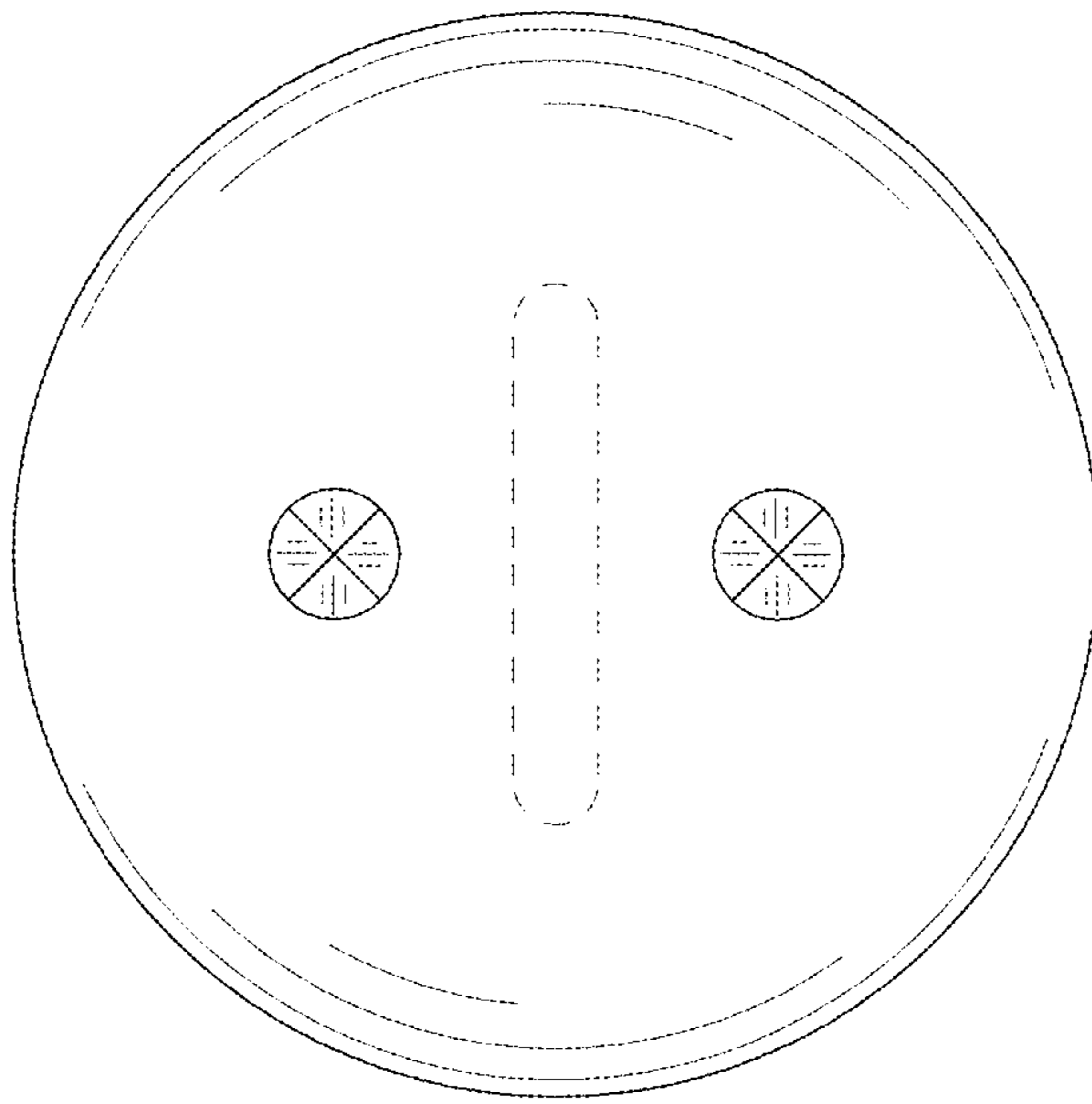


FIG. 8