

US00D942227S

(12) **United States Design Patent**  
**Hurt**

(10) **Patent No.:** **US D942,227 S**

(45) **Date of Patent:** **\*\* Feb. 1, 2022**

(54) **FOOD ROASTING DEVICE**

D814,890 S \* 4/2018 Schultz ..... D7/683  
D829,515 S \* 10/2018 Glanville ..... D7/683

(71) Applicant: **Robert S Hurt**, Becker, MN (US)

\* cited by examiner

(72) Inventor: **Robert S Hurt**, Becker, MN (US)

*Primary Examiner* — Terry A Wallace

(\*\*) Term: **15 Years**

(74) *Attorney, Agent, or Firm* — Gutwein Law; Greg Geiser

(21) Appl. No.: **29/734,386**

(57) **CLAIM**

(22) Filed: **May 12, 2020**

The ornamental design for a food roasting device, as shown and described.

(51) **LOC (13) Cl.** ..... **07-04**

(52) **U.S. Cl.**

USPC ..... **D7/683**

(58) **Field of Classification Search**

USPC ..... D7/368, 669, 680–696

CPC ..... A47J 43/18; A47J 43/00; A47J 43/283;

A47J 37/04; A22C 17/02; A22C 17/006;

A22C 17/00; A47G 21/023; A47G 21/02

See application file for complete search history.

**DESCRIPTION**

FIG. 1 is an isometric view of the food roasting device in an extended position showing my new design;

FIG. 2 is a top side view thereof;

FIG. 3 is a bottom side view thereof;

FIG. 4 is a right side view thereof;

FIG. 5 is a left side view thereof;

FIG. 6 is a front side view thereof;

FIG. 7 is a rear side view thereof;

FIG. 8 is an isometric view of the food roasting device in a retracted position;

FIG. 9 is a top side view thereof;

FIG. 10 is a bottom side view thereof;

FIG. 11 is a right side view thereof;

FIG. 12 is a left side view thereof;

FIG. 13 is a front side view thereof; and,

FIG. 14 is a rear side view thereof.

(56) **References Cited**

**U.S. PATENT DOCUMENTS**

3,931,758 A \* 1/1976 Blake ..... A47J 43/283

99/419

3,936,088 A \* 2/1976 Williams ..... B25J 1/04

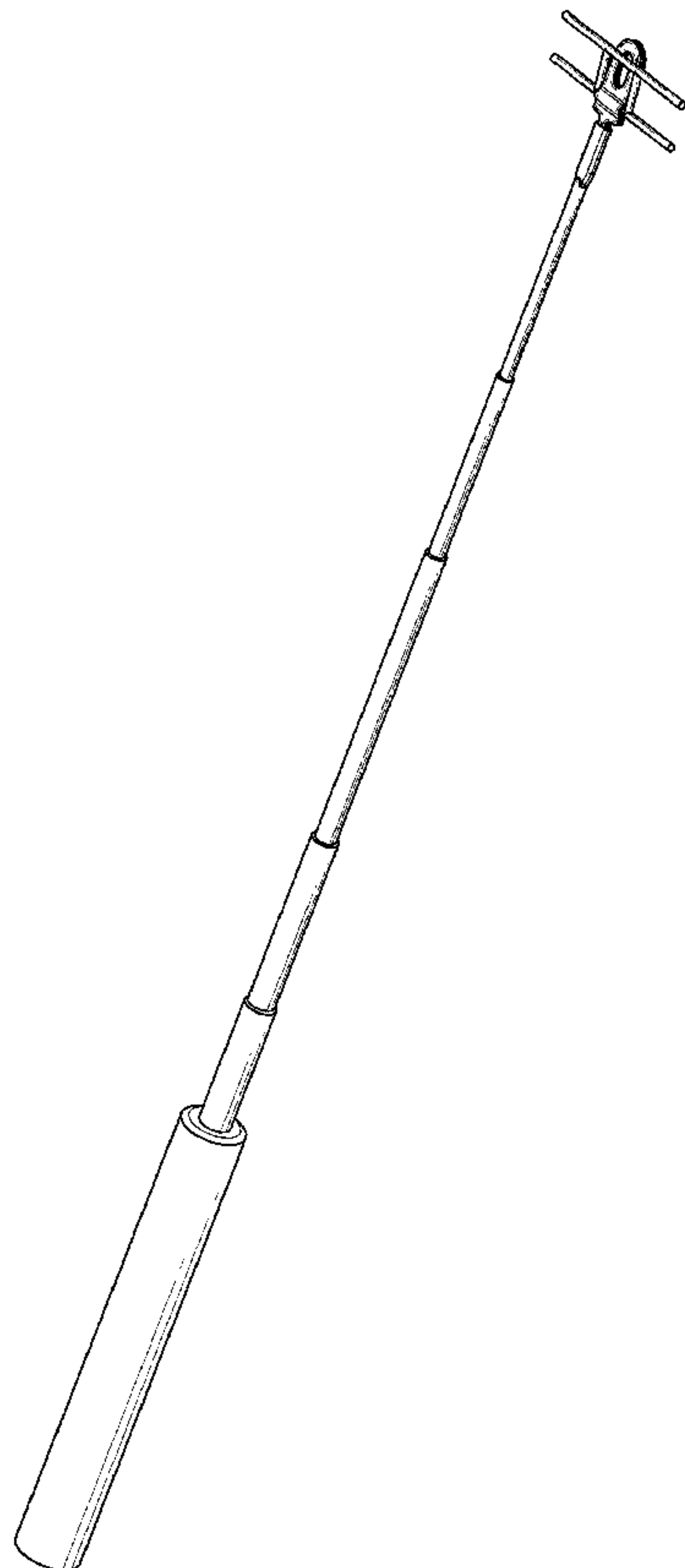
294/175

4,517,885 A \* 5/1985 Thompson ..... A47J 37/0694

99/421 HV

D425,379 S \* 5/2000 Clausen ..... D7/683

**1 Claim, 6 Drawing Sheets**



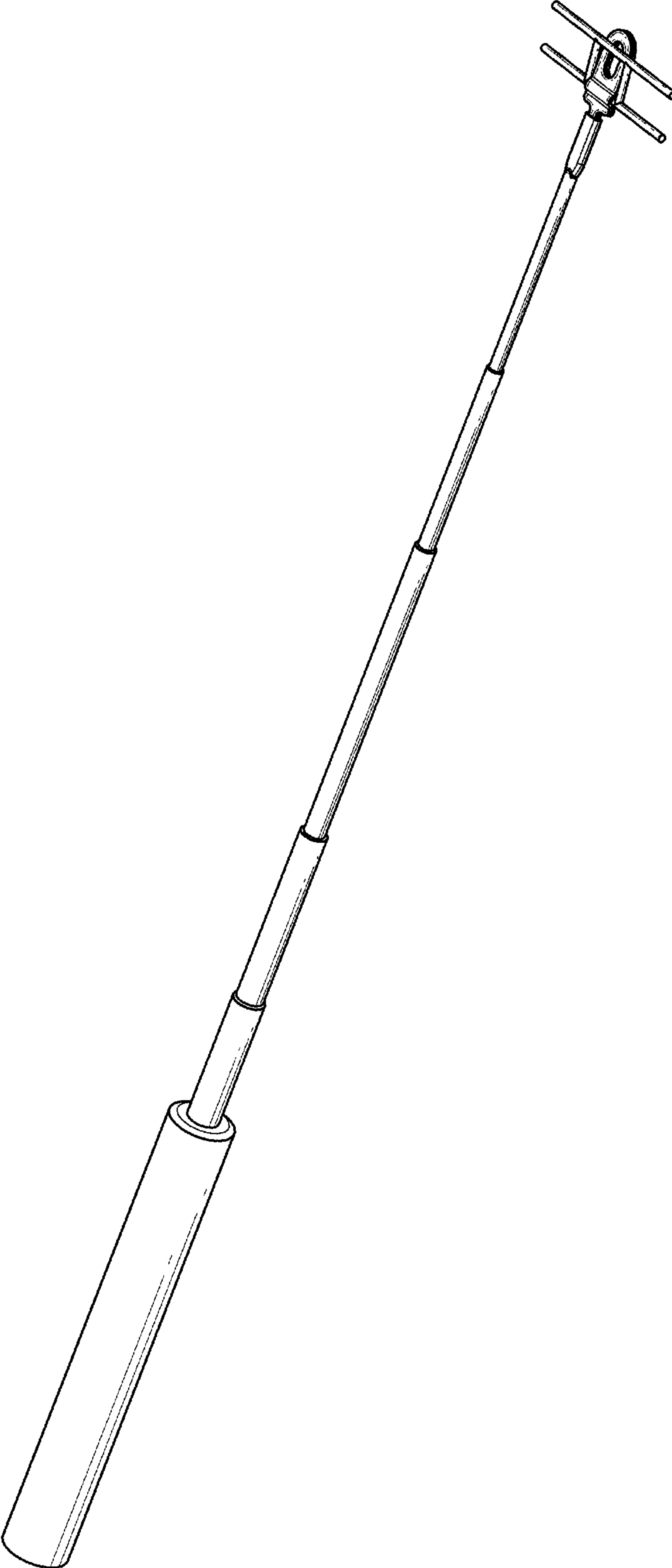


FIG. 1

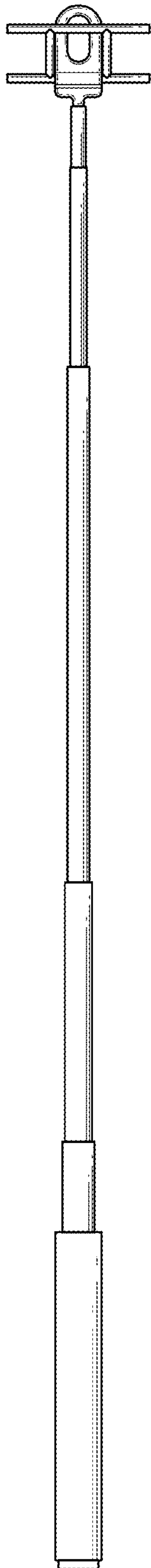


FIG. 2

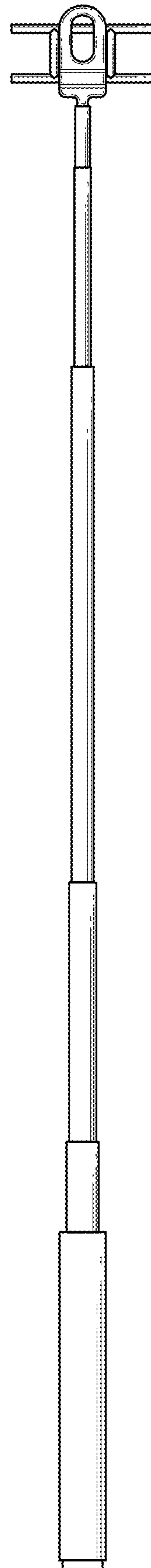


FIG. 3

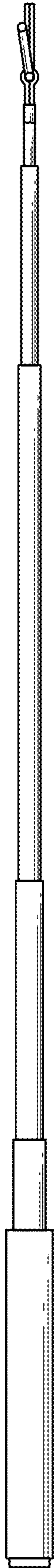


FIG. 4

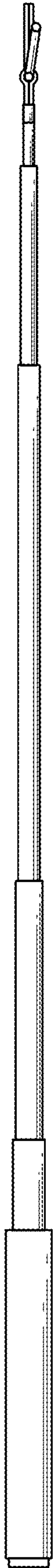


FIG. 5



FIG. 6



FIG. 7

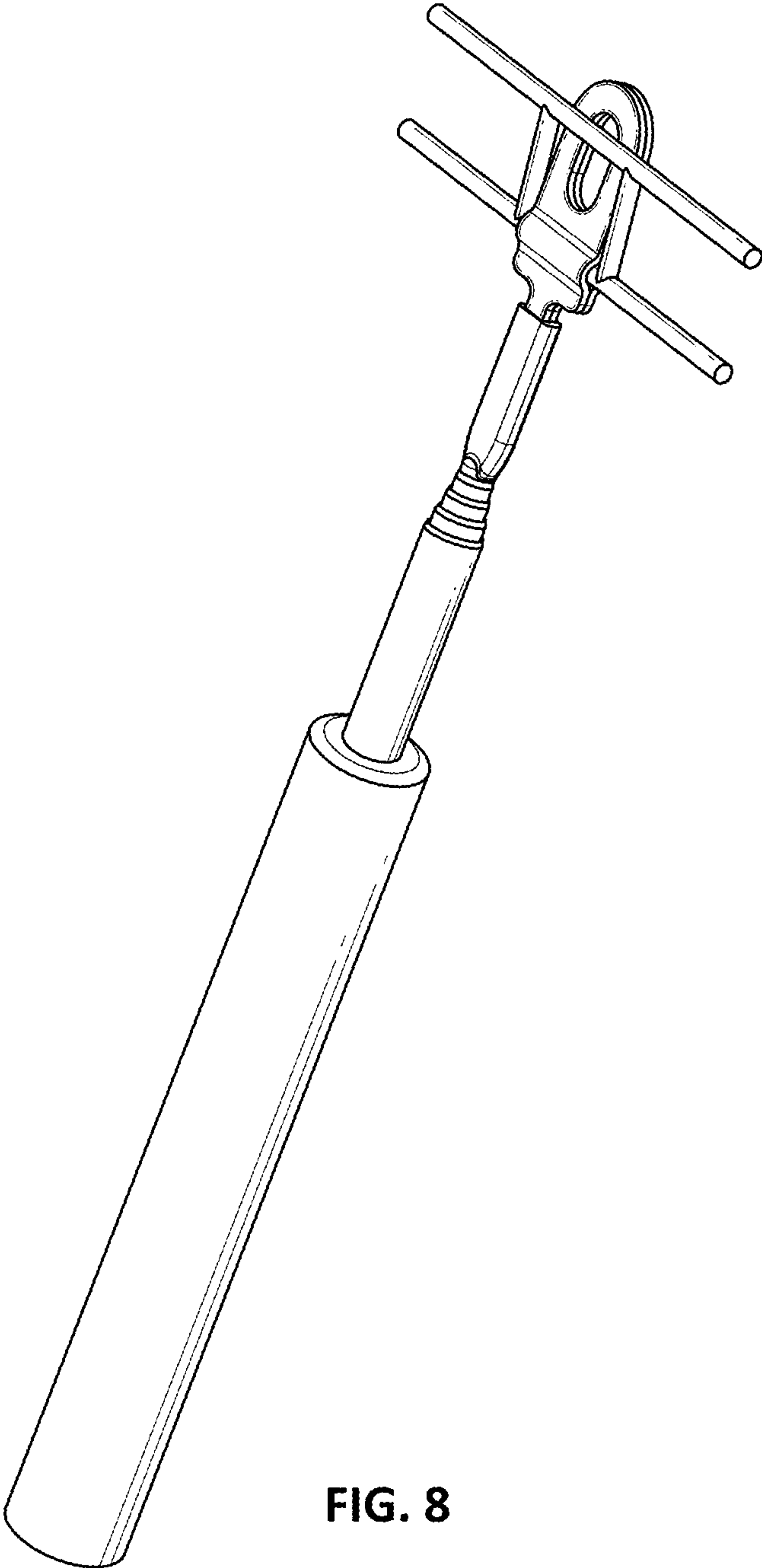


FIG. 8

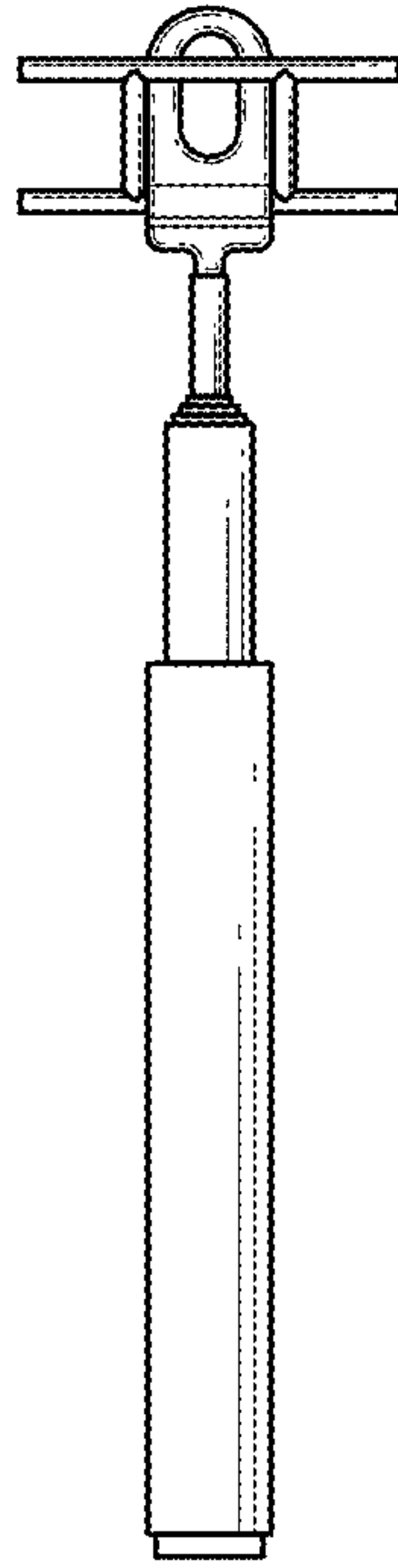


FIG. 9

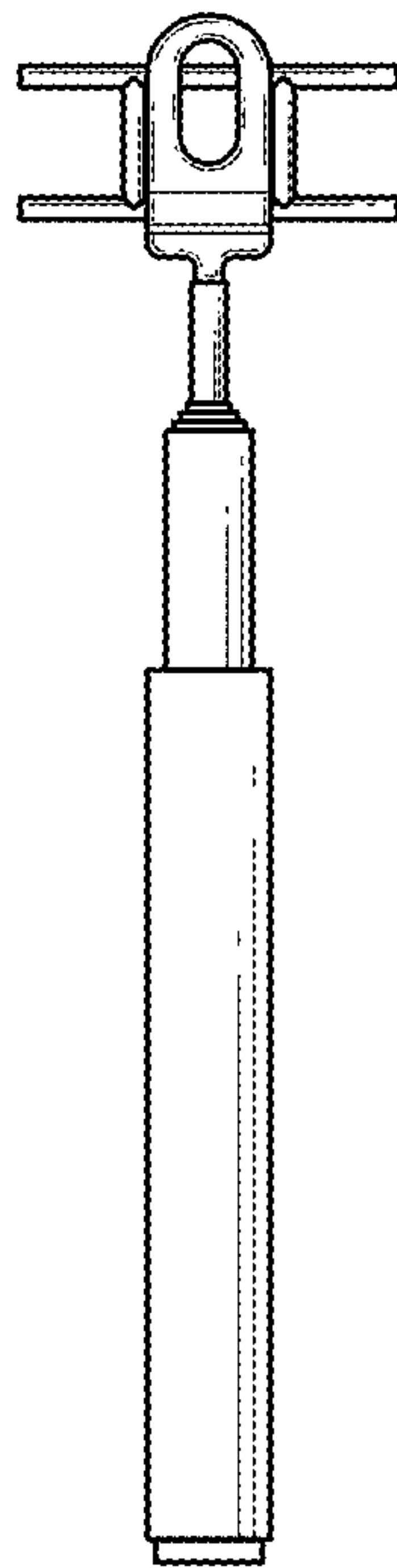


FIG. 10



FIG. 11



FIG. 12



FIG. 13



FIG. 14