



US00D942224S

(12) **United States Design Patent**
Hackley

(10) **Patent No.:** **US D942,224 S**

(45) **Date of Patent:** **** Feb. 1, 2022**

- (54) **INVERTED BOTTLE HOLDER**
- (71) Applicant: **Carl Hackley**, Charlotte, NC (US)
- (72) Inventor: **Carl Hackley**, Charlotte, NC (US)
- (**) Term: **15 Years**
- (21) Appl. No.: **29/652,262**
- (22) Filed: **Jun. 30, 2020**
- (51) **LOC (13) Cl.** **09-03**
- (52) **U.S. Cl.**
USPC **D7/619.1**
- (58) **Field of Classification Search**
USPC D7/306–397, 509–619, 619.1; D9/306,
D9/311, 321, 397, 414–575, 600–783
CPC A61J 9/0607; A61J 9/0661; A61J 9/0638;
A61J 9/0684; A61J 9/063; A61M 5/1417;
A61M 5/14; Y10S 215/03; A47G 23/021;
A47G 29/24; A47G 23/0421; A47G
23/00; F25D 23/04; F25D 31/00; F25D
11/00; F25D 11/20; B67C 9/00; B65D
81/38; B65D 71/50; B65D 23/0857;
B65D 85/30; B65D 25/20; B65D 23/10
See application file for complete search history.

- D448,978 S * 10/2001 Isbell D7/619.1
- D451,764 S * 12/2001 Arl B67D 3/0029
- RE37,566 E * 3/2002 Cristea B67C 9/00
- 141/364
- D488,962 S * 4/2004 Catt D7/619.1
- D585,233 S * 1/2009 Bodum D7/317
- D726,981 S * 4/2015 Yessin D32/25
- D740,064 S * 10/2015 Katz D7/309
- D772,644 S * 11/2016 Kestenbaum D7/400
- D817,089 S * 5/2018 Gross D7/397
- D817,110 S * 5/2018 Kellow, Jr. D7/619.1
- D831,785 S * 10/2018 Atwell D23/209
- D834,886 S * 12/2018 Gross D7/400
- D873,597 S * 1/2020 Fisher Wong B67C 9/00
- D7/309

(Continued)

Primary Examiner — George D. Kirschbaum
Assistant Examiner — Darryl J Dardenne
(74) *Attorney, Agent, or Firm* — Dunlap Bennett & Ludwig, PLLC

(57) **CLAIM**

The ornamental design for an inverted bottle holder, as shown and described.

DESCRIPTION

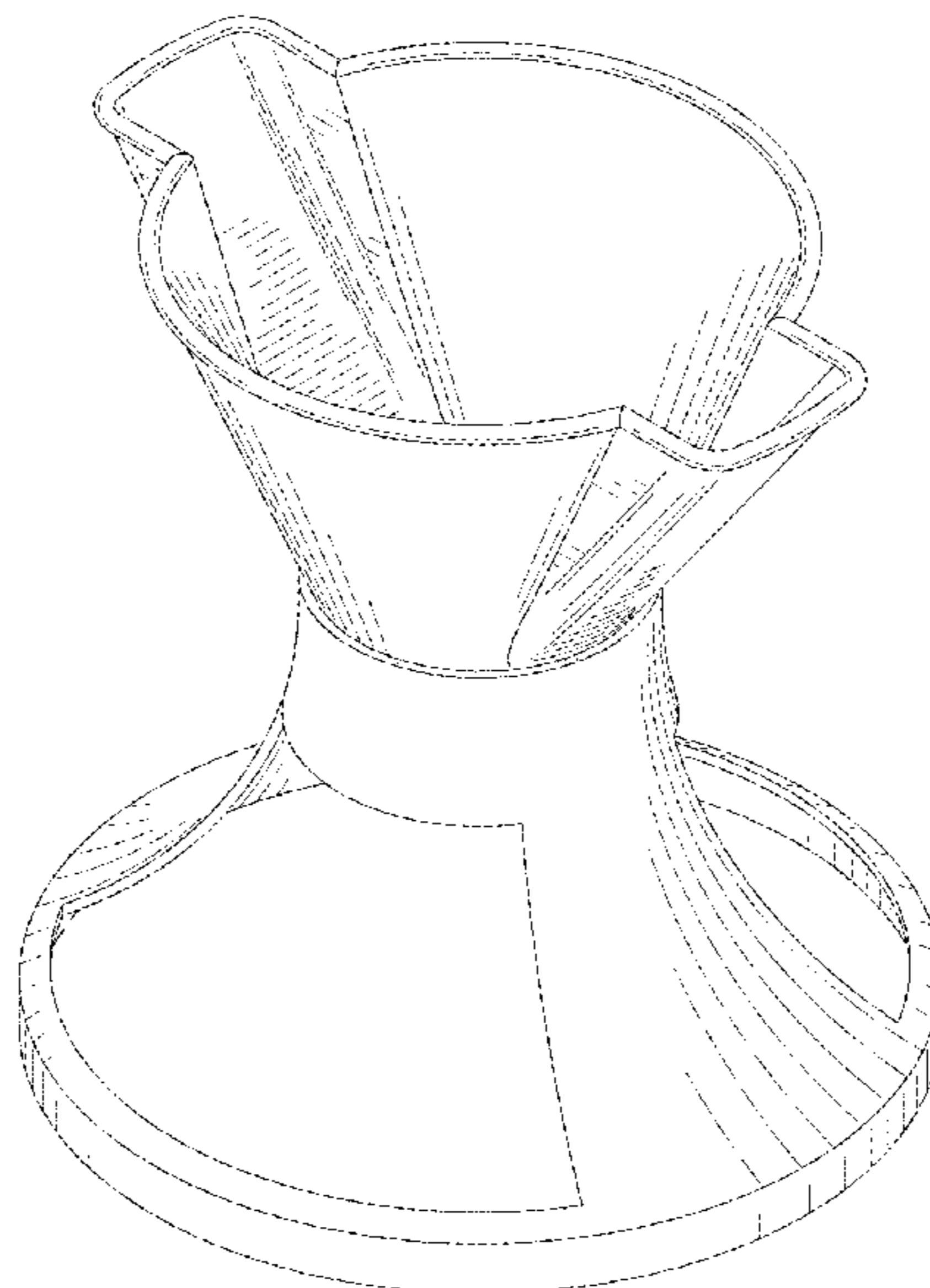
FIG. 1 is a perspective view of an inverted bottle holder, showing my new design;
FIG. 2 is a front elevation view thereof, the rear elevation view being a mirror image thereof;
FIG. 3 is a right side elevation view thereof, the left side elevation view being a mirror image thereof;
FIG. 4 is a top plan view thereof;
FIG. 5 is a bottom plan view thereof; and,
FIG. 6 is a perspective view thereof, showing the new design in use.
The broken lines showing a bottle in FIG. 6 depicts environmental subject matter that forms no part of the claimed design.

1 Claim, 4 Drawing Sheets

(56) **References Cited**

U.S. PATENT DOCUMENTS

- 1,909,269 A * 5/1933 Grobard B67D 3/0029
- 137/376
- D203,854 S * 2/1966 Douglas A47G 23/0241
- D7/400
- 4,271,878 A * 6/1981 Bologna B67C 9/00
- 141/106
- D338,069 S * 8/1993 McCormick D24/199
- D342,866 S * 1/1994 Lee D7/608
- 5,664,753 A * 9/1997 Takei A47G 23/0241
- 248/146
- 5,794,904 A * 8/1998 Hackley A47G 23/0241
- 248/311.3



(56)

References Cited

U.S. PATENT DOCUMENTS

D897,767 S * 10/2020 Pisarevsky B67C 9/00
D7/400
D898,516 S * 10/2020 DiDato D7/412
D908,445 S * 1/2021 Stuart D7/619.1

* cited by examiner

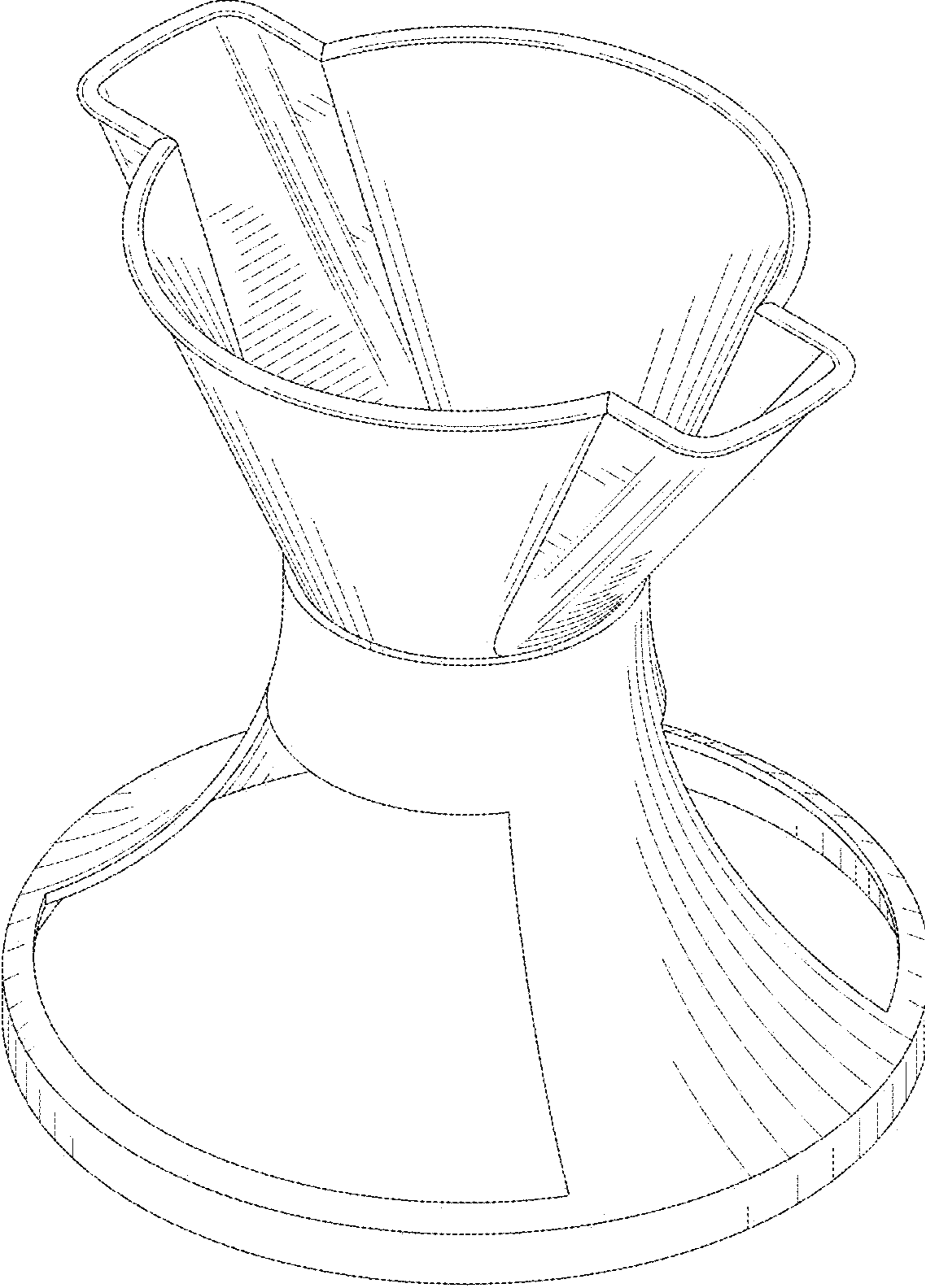


FIG. 1

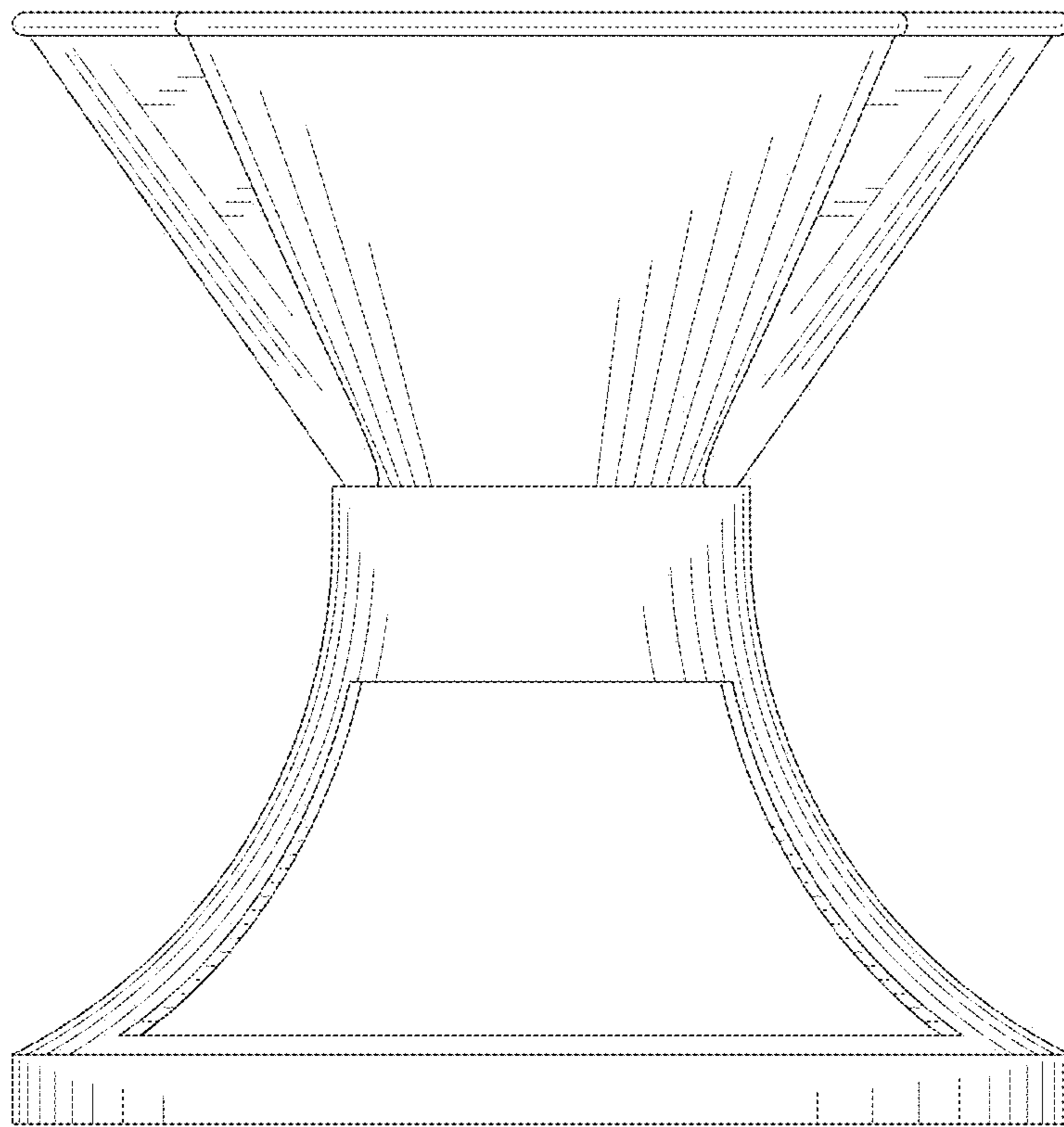


FIG. 2

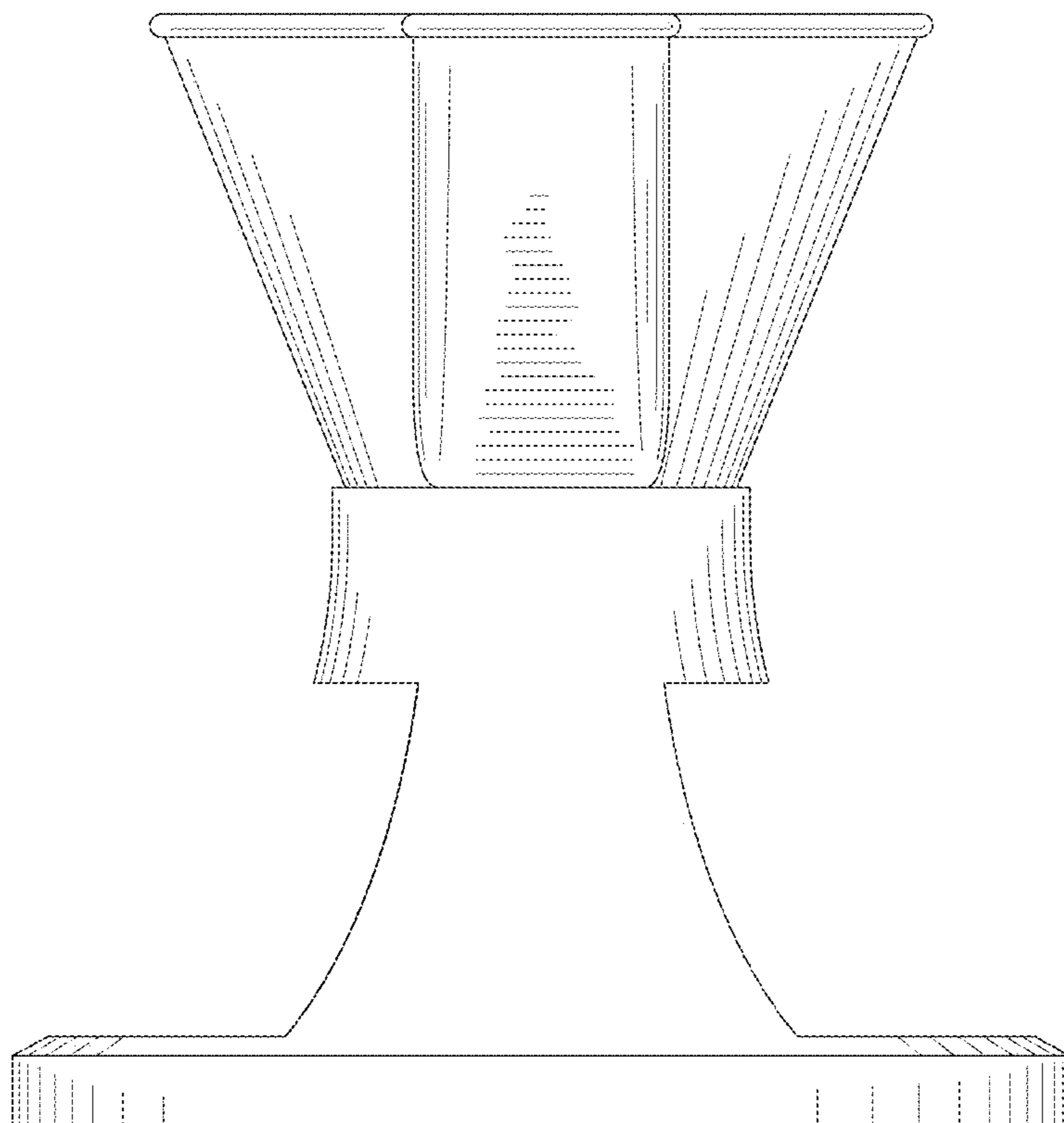


FIG. 3

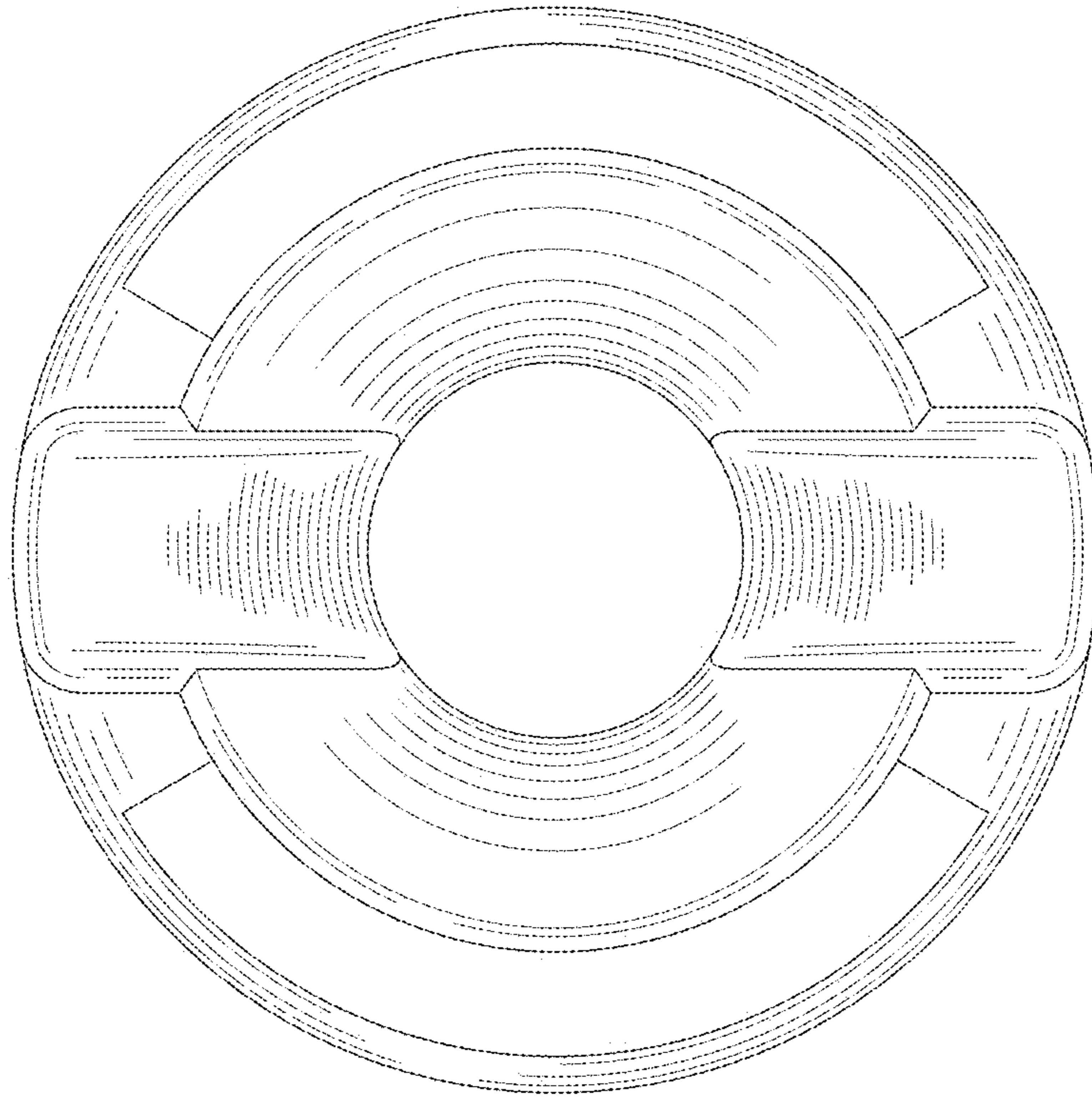


FIG. 4

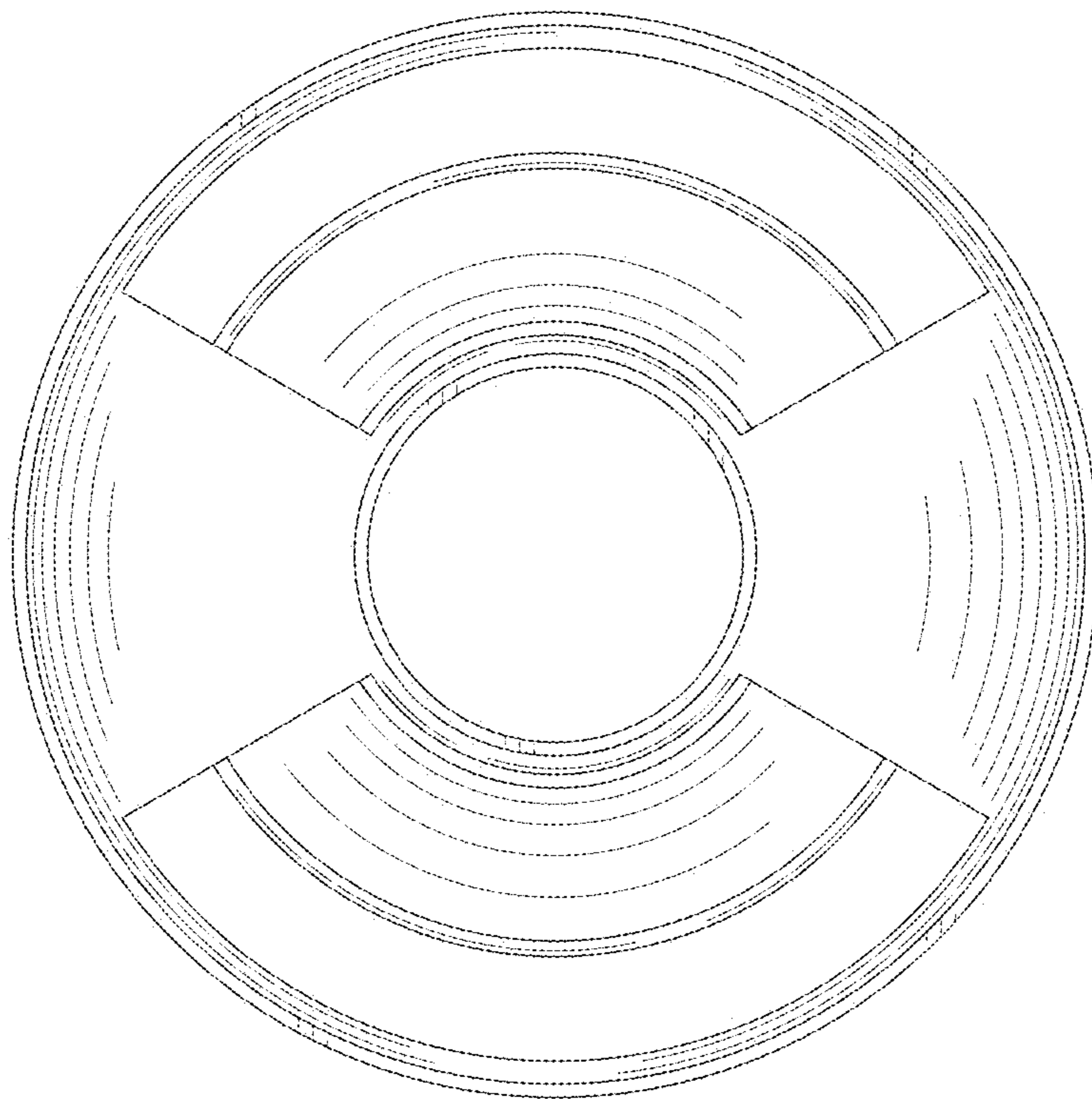


FIG. 5

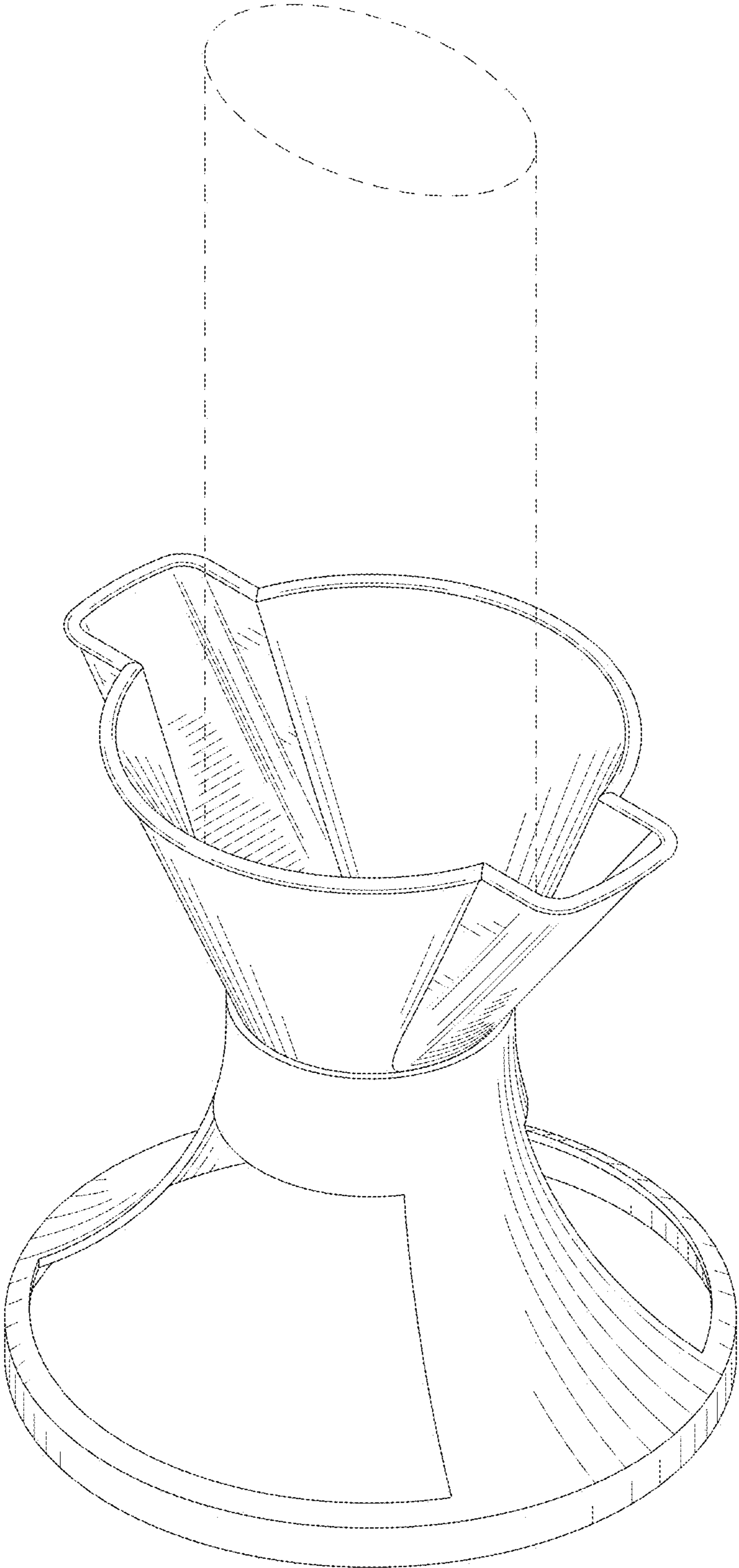


FIG. 6