



US00D942223S

(12) **United States Design Patent**
Pena

(10) **Patent No.:** **US D942,223 S**

(45) **Date of Patent:** **** Feb. 1, 2022**

- (54) **CAKE POP CARRIER**
- (71) Applicant: **Lazara Pena**, Homestead, FL (US)
- (72) Inventor: **Lazara Pena**, Homestead, FL (US)
- (**) Term: **15 Years**
- (21) Appl. No.: **29/697,640**
- (22) Filed: **Jul. 10, 2019**
- (51) **LOC (13) Cl.** **07-07**
- (52) **U.S. Cl.**
USPC **D7/610; D7/549**
- (58) **Field of Classification Search**
USPC D7/610, 629, 602, 549, 538, 543;
206/45.34, 586, 499; 312/244; 426/119,
426/115; 220/4.27, 23.83, 505
CPC B65D 43/162; B65D 25/02; A61L 2/26
See application file for complete search history.

- 6,003,671 A * 12/1999 McDonough B65D 43/162
206/493
- 6,116,456 A 9/2000 Davis
- 6,146,673 A * 11/2000 Ferguson B65D 25/02
206/499
- D436,502 S * 1/2001 Brock D7/610
- D515,363 S * 2/2006 Driggers D7/610
- D529,345 S * 10/2006 Kim D7/610
- 7,303,115 B1 12/2007 McClymont
- D572,539 S * 7/2008 Swinford D7/610
- 7,562,787 B2 * 7/2009 Serrano A47G 23/0208
206/139
- 7,614,518 B2 * 11/2009 Barber A21C 15/00
220/23.89
- D625,565 S * 10/2010 Alford D7/610
- D638,254 S * 5/2011 Barber D7/354
- D638,255 S * 5/2011 Barber D7/354
- D678,409 S * 3/2013 Papenfuß D19/106
- 8,545,914 B1 10/2013 Mastroilanni
- D754,497 S * 4/2016 Chitsazan D7/705

(Continued)

Primary Examiner — Cynthia R Underwood

(56) **References Cited**

U.S. PATENT DOCUMENTS

- 2,138,560 A * 11/1938 Stuart A21B 1/50
220/23.83
- 3,484,035 A * 12/1969 Swett B65D 25/02
220/508
- 4,103,774 A * 8/1978 Shingyouchi A45C 1/12
206/45.2
- 4,694,961 A * 9/1987 Menendez A21B 3/132
206/508
- 4,772,418 A * 9/1988 Leoncavallo A61L 2/26
422/310
- D348,378 S 7/1994 Crane
- D365,502 S * 12/1995 Runge D7/610
- D389,379 S * 1/1998 Samuels D7/610
- D396,999 S * 8/1998 Boothe D7/610
- D400,055 S * 10/1998 Mc Fadzean D7/610
- 5,912,033 A * 6/1999 Ferguson B65D 25/02
426/124
- 5,967,323 A 10/1999 Siragusa

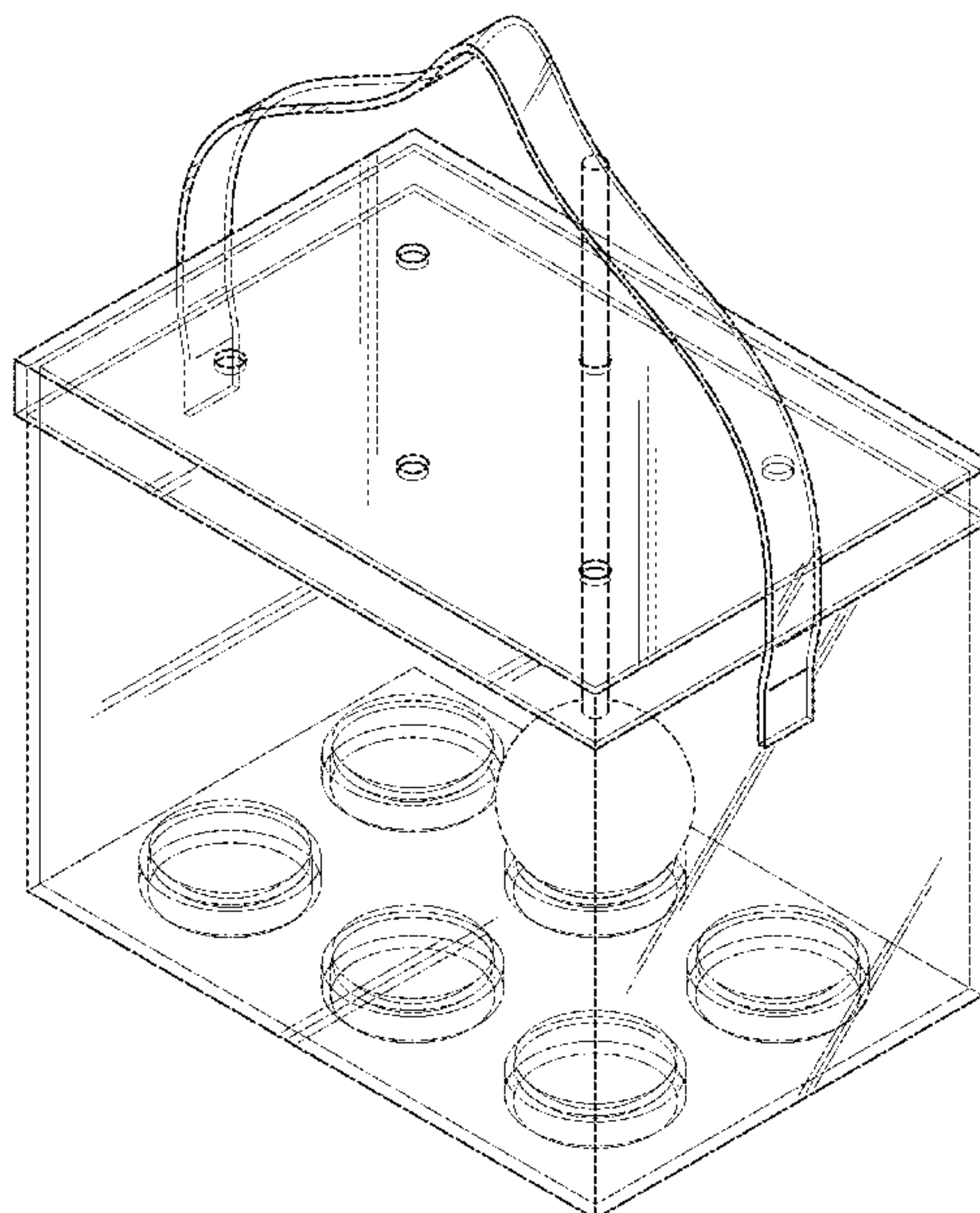
(57) **CLAIM**

The ornamental design for a cake pop carrier, as shown and described.

DESCRIPTION

FIG. 1 is a front view of a cake pop carrier showing my new design;
 FIG. 2 is a rear view of the cake pop carrier;
 FIG. 3 is a right side view of the cake pop carrier;
 FIG. 4 is a left side view of the cake pop carrier;
 FIG. 5 is a top view of the cake pop carrier;
 FIG. 6 is a bottom view of the cake pop carrier; and,
 FIG. 7 is a top front side perspective view of the cake pop carrier.
 The broken lines in FIG. 7 are illustrative of environmental structure forming no part of the claimed design.

1 Claim, 6 Drawing Sheets



(56)

References Cited

U.S. PATENT DOCUMENTS

D756,717	S *	5/2016	Librus	D7/610
D825,227	S *	8/2018	Goh	D6/675
D854,382	S *	7/2019	Bennett	D7/610
D892,536	S *	8/2020	Zou	D7/357
10,759,564	B2 *	9/2020	Silkaitis	B65D 25/005
10,829,296	B2 *	11/2020	Phillips	B65D 43/0214
11,001,423	B2 *	5/2021	Porto	B65D 1/22
2007/0048412	A1	3/2007	McArdle	
2010/0200583	A1	8/2010	Curtin	
2015/0144519	A1 *	5/2015	Tapper	A47F 7/0021 206/486
2015/0344216	A1	12/2015	Petty	
2015/0351569	A1 *	12/2015	Lordi	A47G 19/26 220/574

* cited by examiner

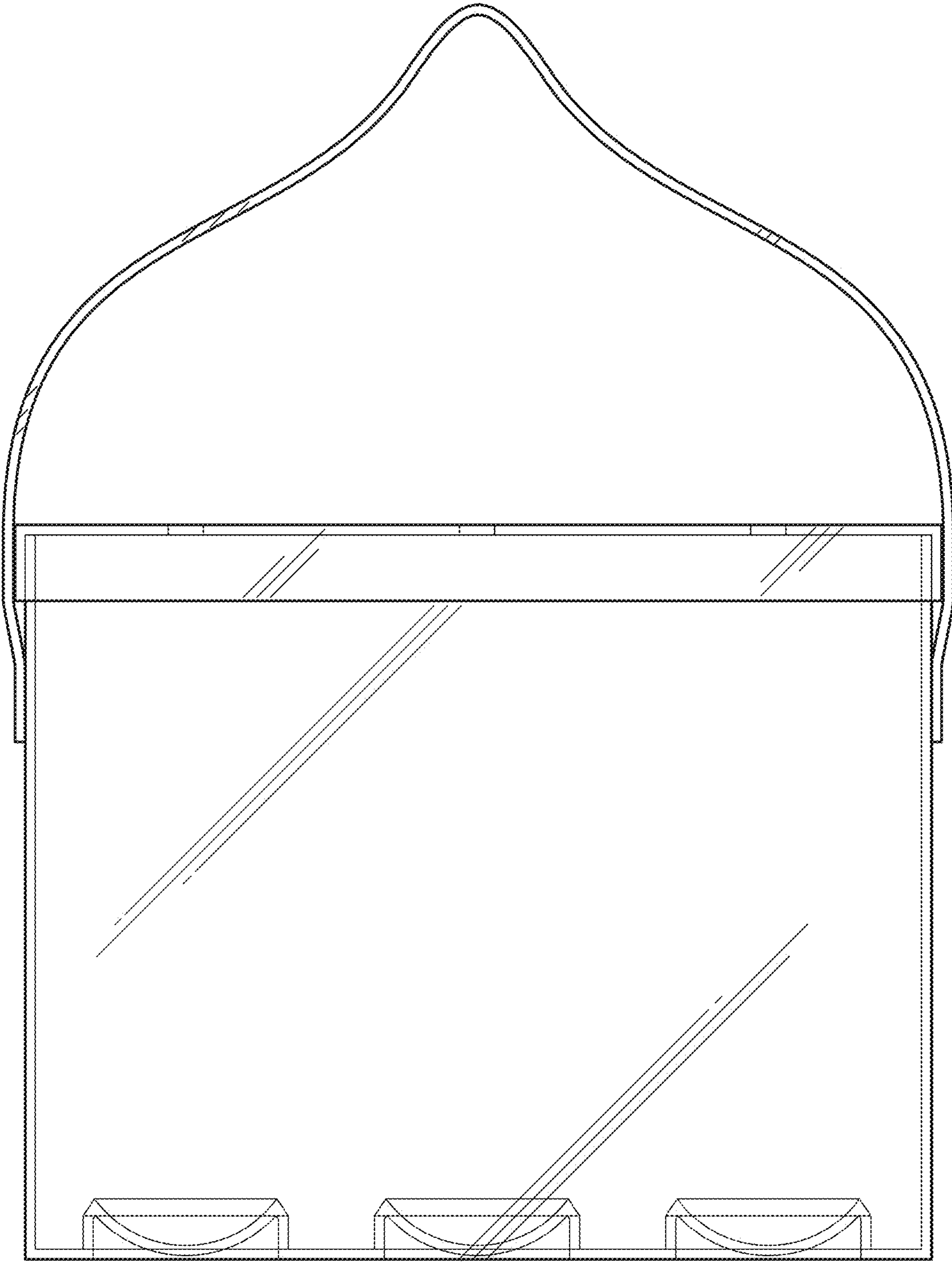


FIG. 1

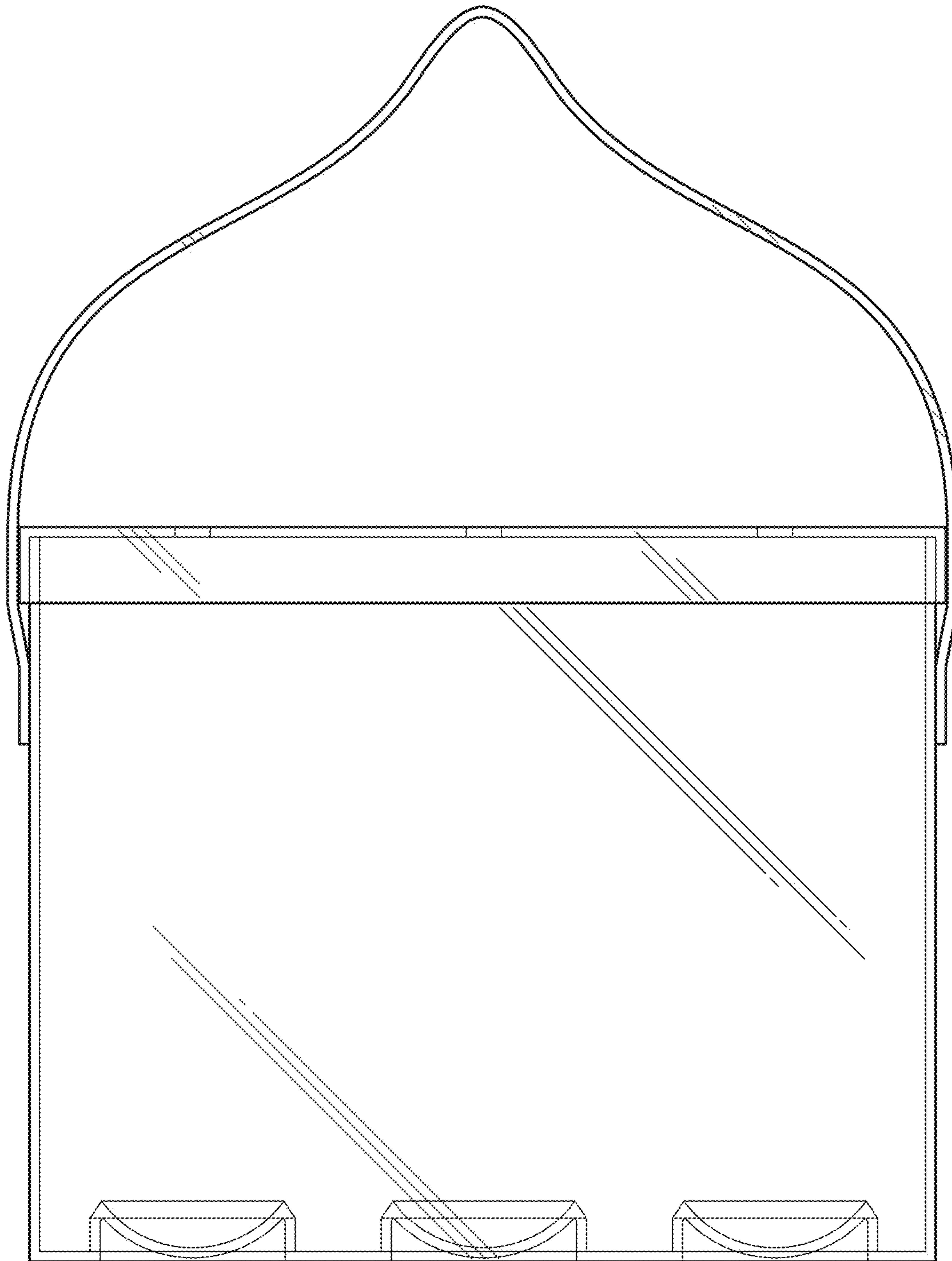


FIG. 2

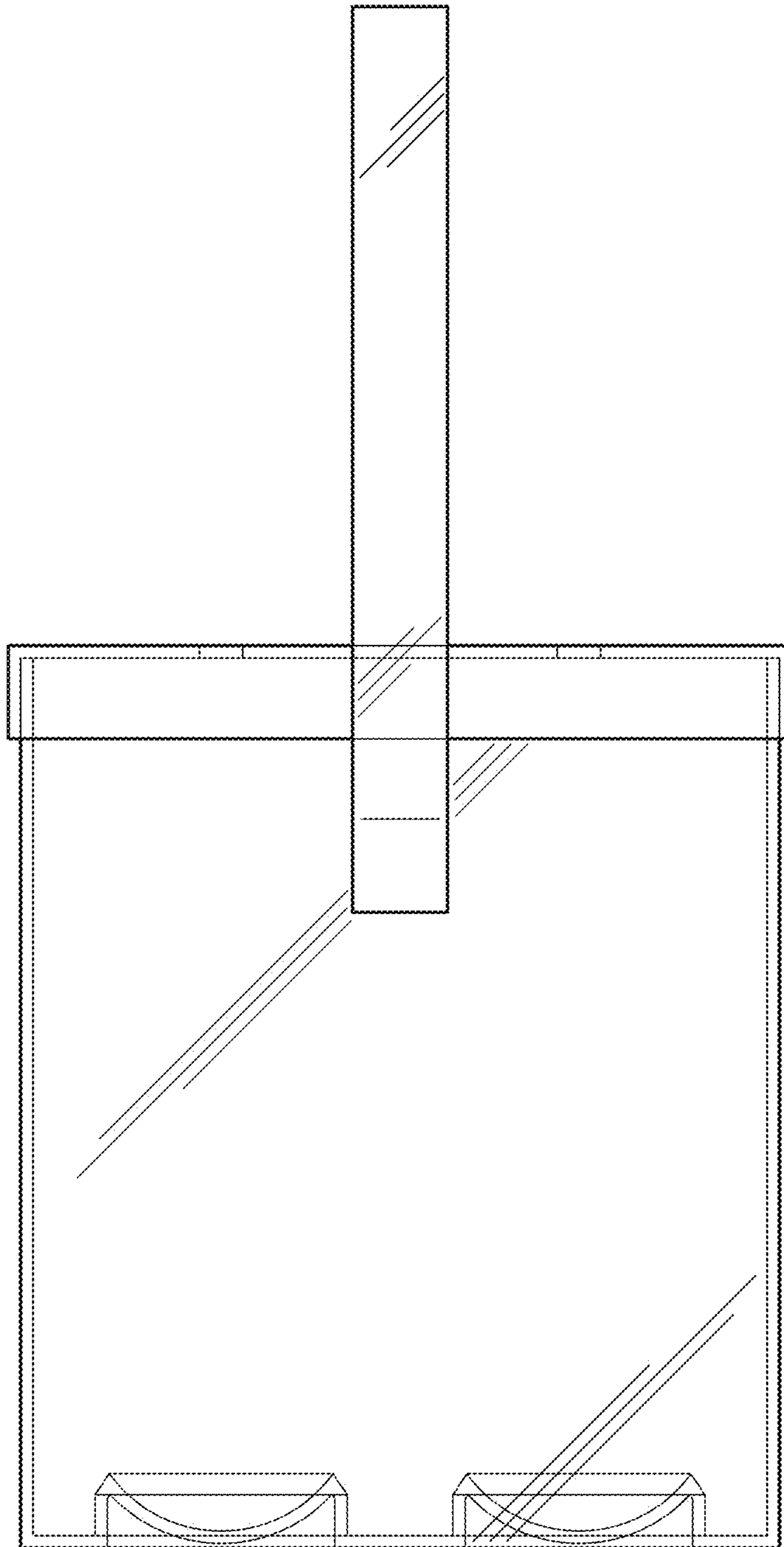


FIG. 3

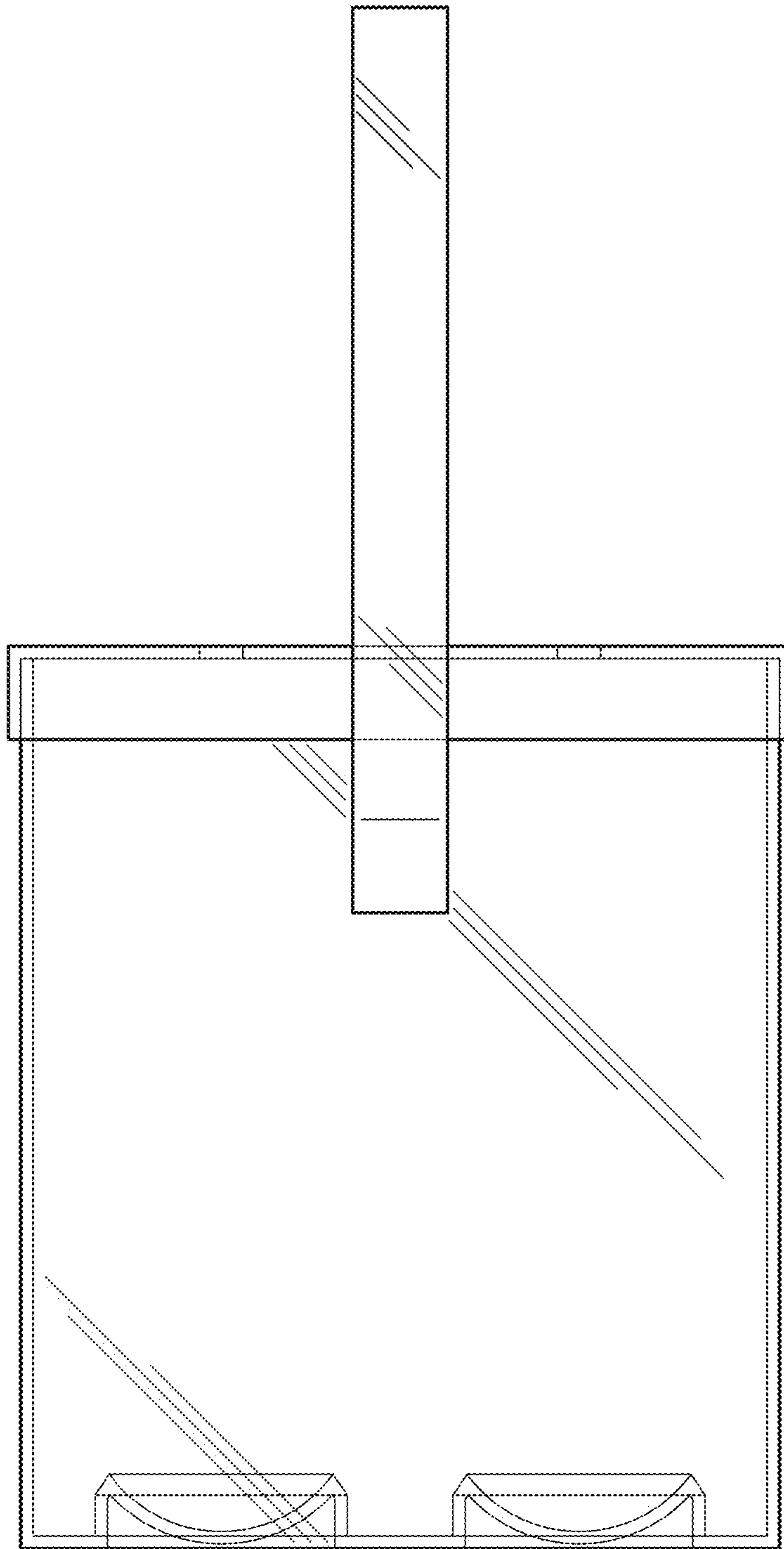


FIG. 4

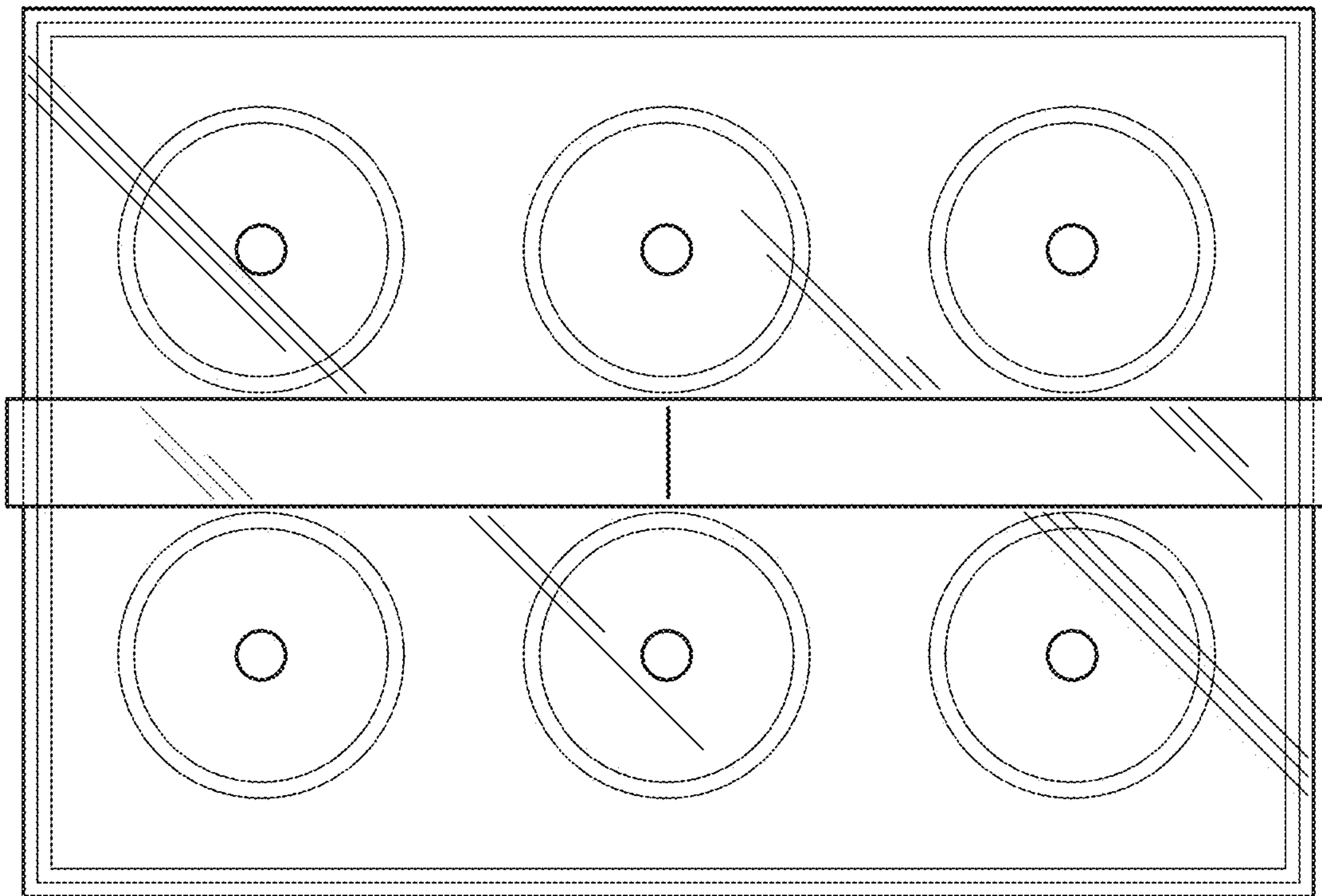


FIG. 5

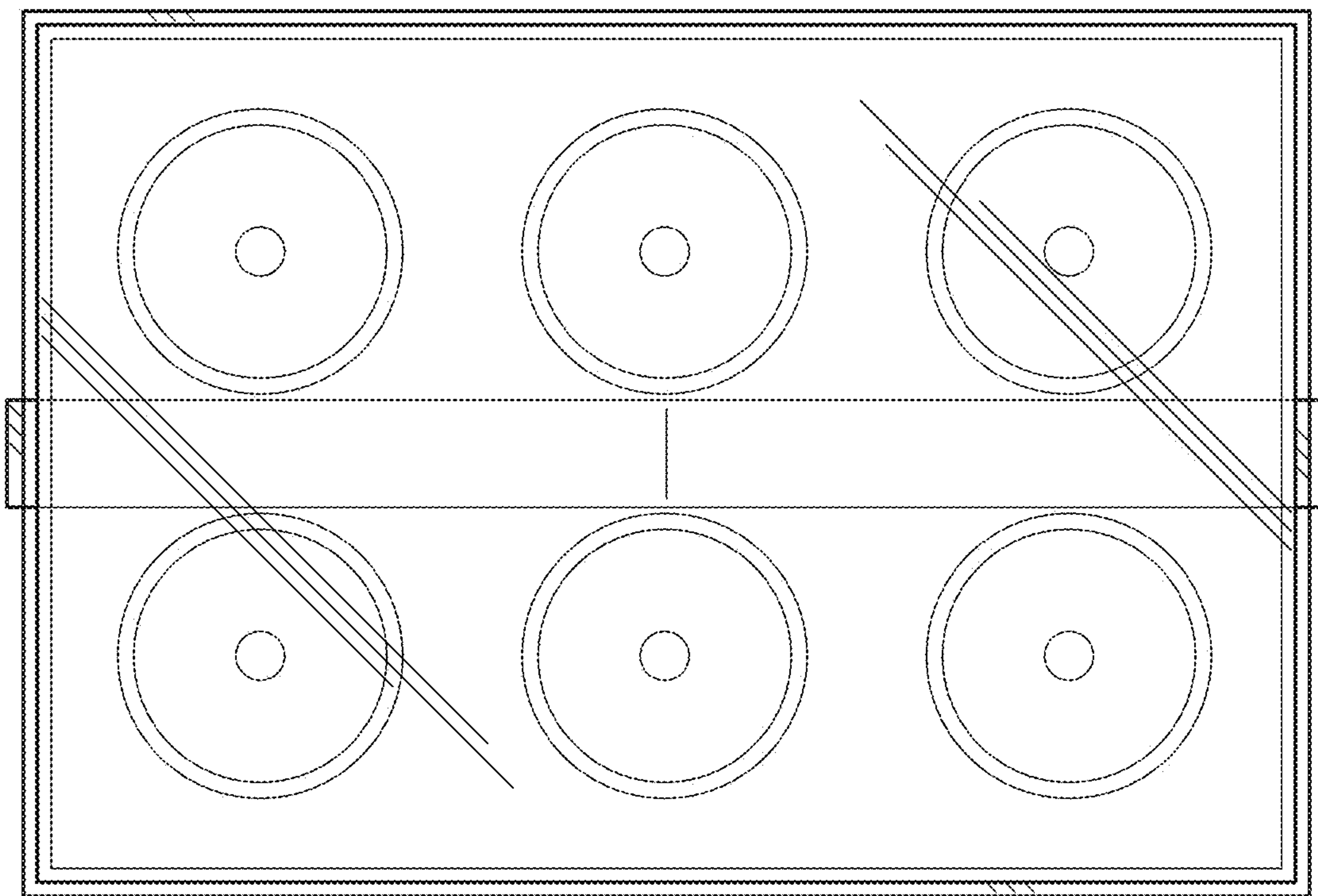


FIG. 6

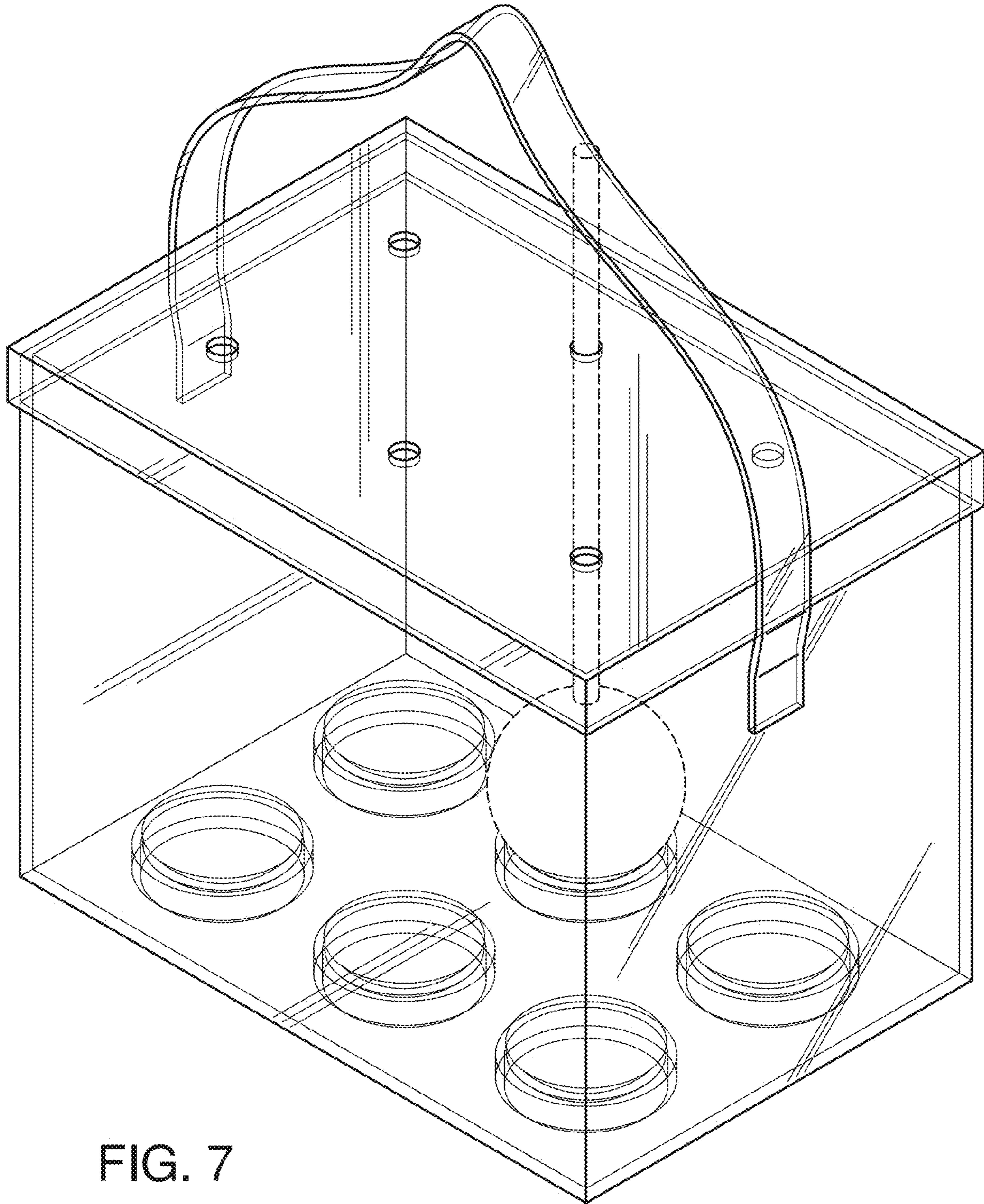


FIG. 7