



US00D942220S

(12) **United States Design Patent** (10) **Patent No.:** **US D942,220 S**
Bullock et al. (45) **Date of Patent:** **** Feb. 1, 2022**

(54) **CONTAINER**

(71) Applicant: **YETI Coolers, LLC**, Austin, TX (US)

(72) Inventors: **Dustin Bullock**, Austin, TX (US); **John Loudenslager**, Austin, TX (US); **John Fritz**, Austin, TX (US); **Michael Christopher Cieszko**, Austin, TX (US); **Andrew J. Winterhalter**, Austin, TX (US)

(73) Assignee: **YETI Coolers, LLC**, Austin, TX (US)

(**) Term: **15 Years**

(21) Appl. No.: **29/800,130**

(22) Filed: **Jul. 19, 2021**

Related U.S. Application Data

(63) Continuation of application No. 29/756,298, filed on Oct. 27, 2020, now Pat. No. Des. 925,296, which is a continuation of application No. 29/718,915, filed on Dec. 30, 2019, now Pat. No. Des. 899,866, which is a continuation of application No. 16/218,089, filed on Dec. 12, 2018, now Pat. No. 10,766,672.

(51) **LOC (13) Cl.** **07-01**

(52) **U.S. Cl.**
USPC **D7/605**

(58) **Field of Classification Search**

USPC D7/605-607, 709, 710, 629; D3/272-274
CPC F25D 3/08; F25D 3/02; F25D 3/04; F25D 3/06; F25D 3/14; F25D 3/107; F25D 2331/804; F25D 2331/801; B65D 81/38; B65D 81/3813; B65D 81/3816; B65D 81/3818; B65D 81/382; B65D 81/3823; B65D 81/3825; B65D 81/3827; B65D 81/383; B65D 81/3832; B65D 81/3834; B65D 81/3848; B65D 81/3851; B65D 81/3853; B65D 81/3855; B65D 81/3858; B65D 81/386; B65D 81/3862; A45C 11/20; A45C 3/00; A45C 2003/008

See application file for complete search history.

(56) **References Cited**

U.S. PATENT DOCUMENTS

1,004,688 A 10/1911 Hunt
2,555,126 A 5/1951 Greve
(Continued)

FOREIGN PATENT DOCUMENTS

CA 152932 A 1/1914
CN 203811219 U 9/2014
(Continued)

OTHER PUBLICATIONS

Dometic Patrol 35 https://shop.dometic.com/store/dometic/en_US/pd/productID.5178771400 (12 pp) Oct. 23, 2019.

(Continued)

Primary Examiner — Terry A Wallace

(74) *Attorney, Agent, or Firm* — Banner & Witcoff, Ltd.

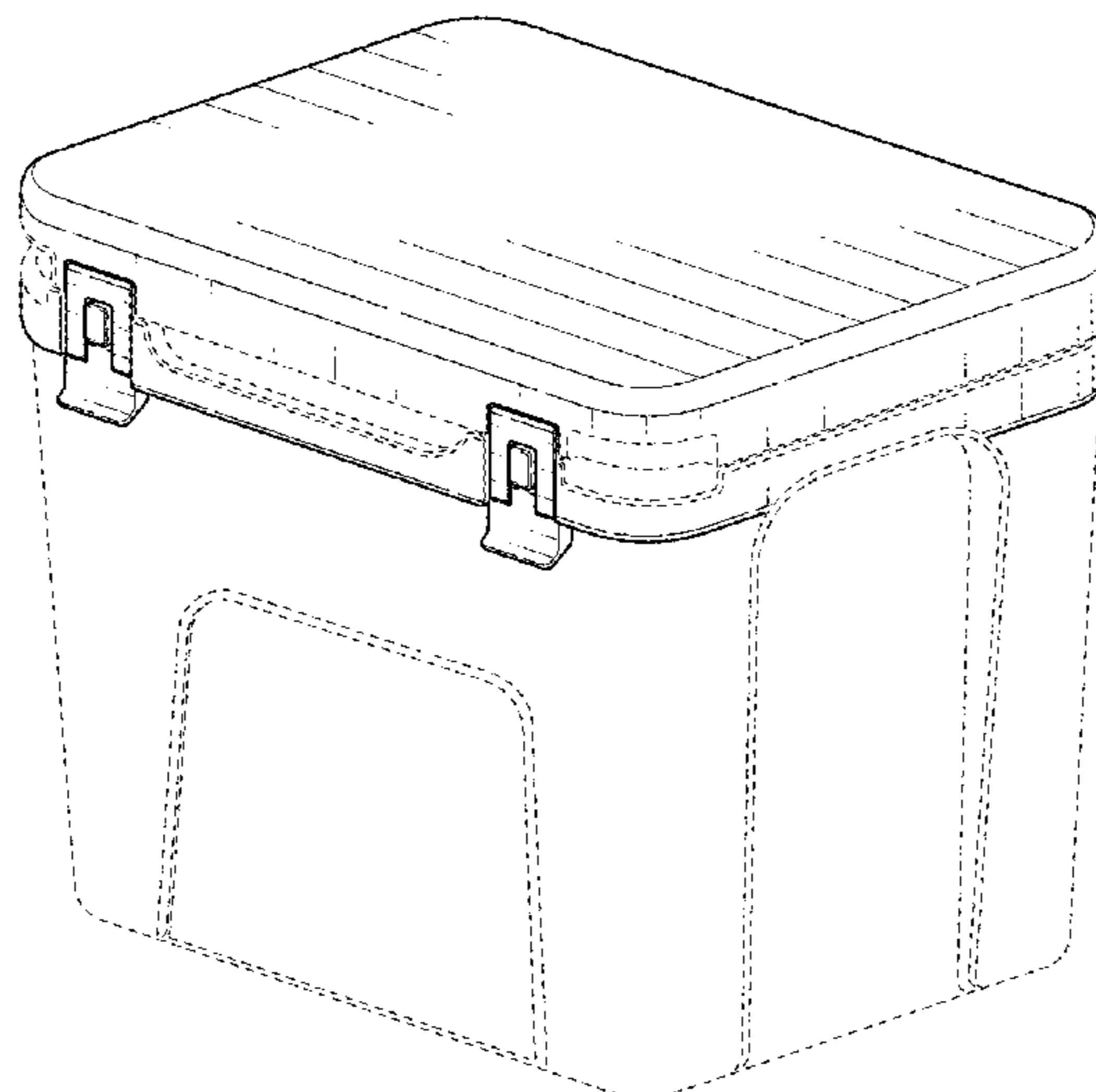
(57) **CLAIM**

The ornamental design for a container, as shown and described.

DESCRIPTION

FIG. 1 is a front, right, perspective view of a container showing our new design;
FIG. 2 is a front view thereof;
FIG. 3 is a rear view thereof;
FIG. 4 is a left side view thereof;
FIG. 5 is a right side view thereof;
FIG. 6 is a top view thereof; and,
FIG. 7 is a bottom view thereof.
The broken lines depicting the remainder of the container show features that form no part of the claimed design.

1 Claim, 6 Drawing Sheets



(56)

References Cited

U.S. PATENT DOCUMENTS

2,652,698 A	9/1953	Schlumbohm	6,336,577 B1	1/2002	Harris et al.
2,706,895 A	4/1955	Thompson et al.	6,398,272 B1	6/2002	Plummer et al.
2,803,368 A	8/1957	Koch	6,409,066 B1	6/2002	Schneider et al.
2,850,885 A	9/1958	Mohr et al.	6,427,886 B1	8/2002	Essex
2,856,092 A	10/1958	Knapp	6,457,750 B1	10/2002	Sokurenko et al.
3,035,733 A	5/1962	Knapp	6,484,880 B1	11/2002	Shaeffer
3,414,160 A	12/1968	Weber	6,622,881 B2	9/2003	Hardigg
4,143,695 A	3/1979	Hoehn	D482,241 S	11/2003	Tyler
4,162,029 A	7/1979	Gottsegen et al.	6,698,608 B2	3/2004	Parker et al.
4,351,165 A	9/1982	Gottsegen et al.	D489,595 S	5/2004	Gleichauf et al.
4,368,819 A	1/1983	Durham	6,736,309 B1	5/2004	Westerman et al.
4,459,827 A	7/1984	Rhodes	6,739,150 B2	5/2004	Mompo Garcia
4,484,682 A	11/1984	Crow	D491,440 S	6/2004	Pfeiffer et al.
4,537,044 A	8/1985	Putnam	D492,184 S	6/2004	Parker et al.
4,592,482 A	6/1986	Seager	6,789,692 B2	9/2004	Prezelin
4,623,076 A	11/1986	Karpal	6,789,693 B2	9/2004	Lassiter
4,648,512 A	3/1987	Tarozzi et al.	6,955,381 B2	10/2005	Parker et al.
4,802,344 A	2/1989	Livingston et al.	6,976,370 B2	12/2005	Fiene
4,846,493 A	7/1989	Mason	6,993,931 B1	2/2006	Hamilton
4,858,444 A	8/1989	Scott	7,013,671 B1	3/2006	Bolda
4,873,841 A	10/1989	Bradshaw et al.	7,059,100 B2	6/2006	Babini et al.
4,939,912 A	7/1990	Leonovich, Jr.	7,066,347 B2	6/2006	Slovak et al.
D311,476 S *	10/1990	Kumakura D7/605	D528,368 S *	9/2006	Maldonado D7/605
4,988,216 A	1/1991	Lyman	7,128,369 B2	10/2006	Boggs et al.
5,007,250 A	4/1991	Musielak	7,141,768 B2	11/2006	Malofsky et al.
5,024,359 A	6/1991	Thomas	7,147,125 B1	12/2006	Slovak et al.
5,044,513 A	9/1991	Van Berne	7,243,676 B2	7/2007	Bailey
5,050,767 A	9/1991	Peer	D548,565 S	8/2007	Vickers
D324,165 S	2/1992	Bressler et al.	7,313,927 B2	1/2008	Barker
5,095,718 A	3/1992	Ormond et al.	7,328,818 B2	2/2008	Prabucki
5,169,018 A	12/1992	Fiore	7,344,028 B2	3/2008	Hanson
5,176,215 A	1/1993	Ackerman	7,357,709 B2	4/2008	Zukor et al.
5,184,477 A	2/1993	Brown et al.	7,360,784 B2	4/2008	Stewart et al.
D333,775 S	3/1993	Krape	7,389,608 B1	6/2008	MacKay
5,213,381 A	5/1993	Anderson	7,412,846 B2	8/2008	Sekiya et al.
5,249,438 A	10/1993	Rhaney et al.	7,427,181 B2	9/2008	Denton et al.
5,251,460 A	10/1993	DeMarco et al.	7,461,871 B2	12/2008	Vauchel
5,251,542 A	10/1993	Itoh et al.	7,538,302 B2	5/2009	Ferrari et al.
5,259,215 A	11/1993	Rocca	7,540,364 B2	6/2009	Sanderson
5,284,294 A	2/1994	Floyd	D598,194 S	8/2009	Turvey et al.
5,295,365 A	3/1994	Redford	7,584,842 B2	9/2009	Neumeyer et al.
5,313,817 A	5/1994	Meinders	7,597,478 B2	10/2009	Pruchnicki et al.
5,319,937 A	6/1994	Fritsch et al.	D603,684 S	11/2009	Martis et al.
5,329,787 A	7/1994	Friday	7,621,417 B2	11/2009	Peterson et al.
5,350,081 A	9/1994	Graham	7,658,213 B1	2/2010	Anderson et al.
5,363,977 A	11/1994	Hoff	7,677,406 B2	3/2010	Maxson
5,373,708 A	12/1994	Dumoulin, Jr.	7,677,580 B2	3/2010	Vanderberg et al.
5,400,610 A	3/1995	Macedo	7,726,880 B2	6/2010	Zimmerman et al.
5,403,095 A	4/1995	Melk	7,735,334 B2	6/2010	Johnson
5,423,426 A	6/1995	Harper	7,806,271 B1	10/2010	Kraska
5,447,041 A	9/1995	Piechota	7,837,053 B2	11/2010	Arnett et al.
5,460,285 A	10/1995	Harding, Sr.	7,841,635 B2	11/2010	Fuchs
5,562,228 A	10/1996	Ericson	7,874,743 B2	1/2011	Berkey et al.
5,626,373 A	5/1997	Chambers et al.	7,905,243 B2	3/2011	Minard et al.
5,738,238 A	4/1998	Yang	8,016,153 B2	9/2011	Boenig et al.
5,740,940 A	4/1998	Weiss	8,052,004 B2	11/2011	Cheng et al.
5,845,515 A	12/1998	Nelson	8,066,139 B2	11/2011	Baughman
5,860,281 A	1/1999	Coffee et al.	8,123,236 B1	2/2012	Helenihi
5,865,037 A	2/1999	Bostic	8,152,367 B2	4/2012	Roberts et al.
5,913,448 A	6/1999	Mann et al.	8,176,749 B2	5/2012	LaMere et al.
5,944,205 A	8/1999	LaJoie et al.	8,191,747 B2	6/2012	Pruchnicki
5,971,218 A	10/1999	Le	8,215,518 B2	7/2012	Hyde et al.
6,067,813 A	5/2000	Smith	8,230,697 B2	7/2012	Lavallee
D427,885 S	7/2000	Ayrest	8,251,245 B2	8/2012	DiPietro et al.
6,092,661 A	7/2000	Mogil	8,256,156 B1	9/2012	Burgoyne, Jr.
6,158,745 A	12/2000	Deighton	8,297,464 B2	10/2012	Grenier et al.
6,176,499 B1	1/2001	Conrado et al.	8,308,008 B2	11/2012	Perry et al.
6,192,703 B1	2/2001	Salyer et al.	8,353,418 B2	1/2013	Bork
6,193,097 B1	2/2001	Martin Perianes et al.	8,366,859 B2	2/2013	Wijk et al.
6,199,570 B1	3/2001	Patarra	8,430,284 B2	4/2013	Broadbent et al.
6,244,066 B1	6/2001	LaRose	8,524,342 B2	9/2013	Hager et al.
6,244,458 B1	6/2001	Frysinger et al.	8,544,648 B2 *	10/2013	Cleveland B65D 81/3823 206/508
6,296,134 B1	10/2001	Cardinale	8,544,670 B2	10/2013	Brilmyer
6,296,165 B1	10/2001	Mears	8,562,520 B2	10/2013	Rockrohr
6,305,547 B1	10/2001	Curran	8,573,002 B2	11/2013	Ledoux et al.
			8,590,724 B2	11/2013	Kreidler et al.
			8,596,485 B2	12/2013	Lindsay
			8,622,235 B2	1/2014	Suchecki

(56)

References Cited

U.S. PATENT DOCUMENTS

8,622,279 B2	1/2014	Barnett	D826,027 S	8/2018	Carey et al.
8,652,032 B2	2/2014	Yamane	10,082,329 B1	9/2018	Sandberg et al.
8,668,802 B2	3/2014	Van Wijngaarden	D830,122 S	10/2018	Seiders et al.
8,678,024 B2	3/2014	Freiler	D830,123 S	10/2018	Seiders et al.
8,701,928 B2	4/2014	Samson	D835,472 S *	12/2018	Seiders D7/605
D707,100 S	6/2014	Kinsky et al.	D844,386 S	4/2019	Ahlstrom et al.
8,740,010 B1	6/2014	Page	10,316,550 B2	6/2019	Reinhart
8,746,498 B2	6/2014	Maldonado et al.	10,322,867 B2	6/2019	Furieux et al.
8,759,710 B2	6/2014	Brunnecker et al.	10,415,868 B2	9/2019	Grepper
8,794,469 B2	8/2014	Bratsch	10,427,356 B1	10/2019	Holbrook et al.
8,820,363 B2	9/2014	Polivka et al.	10,538,365 B2	1/2020	Wood
8,875,934 B2	11/2014	Deka	10,588,388 B2	3/2020	Kabalin
8,887,515 B2	11/2014	Patstone	D880,951 S	4/2020	Jacobsen
D721,569 S	1/2015	Ziegler	D887,789 S	6/2020	Seiders et al.
8,939,315 B2	1/2015	Pillow et al.	D891,194 S	7/2020	Stanford et al.
8,944,476 B1	2/2015	Henderson	D892,565 S	8/2020	Astle et al.
8,967,419 B2	3/2015	Gerber et al.	D897,160 S	9/2020	Hamilton
8,979,073 B2	3/2015	Lykins et al.	D899,869 S	10/2020	Bullock et al.
8,979,144 B2	3/2015	Paugh et al.	D900,588 S	11/2020	Rolfs et al.
9,027,722 B1	5/2015	Parker	10,827,808 B2	11/2020	Seiders et al.
9,052,025 B2	6/2015	Zinn et al.	D904,128 S	12/2020	Ellison et al.
9,091,449 B2	7/2015	Donaldson et al.	D904,129 S	12/2020	Astle
9,091,477 B2	7/2015	Magnus	2003/0111476 A1	6/2003	Serio
D739,302 S	9/2015	Nilsen et al.	2003/0136702 A1	7/2003	Redzisz et al.
9,126,747 B2	9/2015	Burgess et al.	2004/0025531 A1	2/2004	Holloman-Hughes et al.
9,132,598 B2	9/2015	Ernst	2004/0144783 A1	7/2004	Anderson et al.
9,139,352 B2	9/2015	Seiders et al.	2004/0182870 A1	9/2004	Rodgers
9,140,476 B2	9/2015	Eckhoff et al.	2004/0262319 A1	12/2004	Fisher
9,163,871 B1	10/2015	Costello	2005/0082305 A1	4/2005	Dais et al.
D744,810 S	12/2015	Pittman	2005/0109776 A1 *	5/2005	Camp A45C 11/20 220/23.86
9,199,782 B1	12/2015	Cliatt	2005/0127081 A1	6/2005	Leba et al.
9,211,674 B2	12/2015	Van Tooren	2005/0263527 A1 *	12/2005	Maldonado A45C 13/40 220/592.2
D747,950 S	1/2016	Jacobsen et al.	2005/0269541 A1	12/2005	Bodum
D747,951 S	1/2016	Jacobsen et al.	2005/0279123 A1	12/2005	Maldonado et al.
9,227,643 B1	1/2016	Bonilla et al.	2005/0279124 A1	12/2005	Maldonado
D748,452 S	2/2016	Jacobsen et al.	2006/0017293 A1	1/2006	Tonelli
9,260,129 B2	2/2016	Thompson	2006/0042897 A1 *	3/2006	Sanderson E05B 65/5276 190/120
9,265,318 B1	2/2016	Williams et al.	2006/0276768 A1	12/2006	Miller et al.
D750,953 S	3/2016	Jacobsen et al.	2007/0240383 A1	10/2007	Keller et al.
9,271,553 B2	3/2016	Ponx	2007/0284377 A1	12/2007	Chandler
9,271,595 B2	3/2016	Lee	2007/0290466 A1	12/2007	Lenz
9,278,704 B2	3/2016	Cates	2008/0134714 A1	6/2008	Villanueva
9,282,797 B1	3/2016	Soto	2008/0145919 A1	6/2008	Franklin et al.
9,296,543 B2	3/2016	Wooldridge et al.	2008/0164265 A1	7/2008	Conforti
9,310,118 B2	4/2016	Zavitsanos	2008/0178629 A1	7/2008	Meether
9,320,938 B1	4/2016	Belmore	2008/0190940 A1	8/2008	Scott
9,341,003 B2	5/2016	Ely et al.	2009/0114646 A1	5/2009	Whalen
9,341,275 B2	5/2016	Peck et al.	2009/0158770 A1	6/2009	Cohrs et al.
D759,590 S	6/2016	Wang	2009/0188736 A1	7/2009	Niddam et al.
9,389,010 B1	7/2016	Booker, Sr.	2009/0217699 A1	9/2009	Ball
9,414,893 B2	8/2016	Jacobson	2009/0274398 A1	11/2009	Men
9,415,787 B2	8/2016	Mericle	2010/0126196 A1	5/2010	McCance
9,462,796 B1	10/2016	Ellis et al.	2010/0200588 A1	8/2010	Bergman et al.
9,528,638 B2	12/2016	Hooberman	2010/0212351 A1	8/2010	Chapin et al.
9,550,508 B1	1/2017	Parra	2010/0288776 A1	11/2010	Bodum
9,572,410 B2	2/2017	Fiedler	2011/0062157 A1	3/2011	Grimm
9,578,938 B1	2/2017	Verneuille	2011/0062287 A1	3/2011	Metzech et al.
9,616,910 B2	4/2017	Chaloux et al.	2011/0127264 A1	6/2011	Whalen
9,648,990 B1	5/2017	Corney	2011/0197625 A1	8/2011	Urban et al.
9,668,510 B2	6/2017	Doman	2011/0215125 A1	9/2011	Lopez
9,669,986 B1	6/2017	Evans	2011/0226785 A1	9/2011	Sakell
9,676,522 B1	6/2017	Stovall	2012/0117921 A1	5/2012	Toft et al.
9,718,070 B2	8/2017	Arminak et al.	2012/0318808 A1	12/2012	McCormick
9,726,415 B1	8/2017	Spalti	2013/0043250 A1	2/2013	Kreidler et al.
9,738,296 B2	8/2017	McBeth	2014/0226920 A1	8/2014	Passavia
9,809,357 B2	11/2017	Arnold et al.	2014/0252010 A1	9/2014	Miller
9,849,901 B2	12/2017	Jackman	2015/0008242 A1	1/2015	Kpabar, Jr.
9,857,119 B2	1/2018	Keenan	2015/0047635 A1	2/2015	Poree
9,878,841 B2	1/2018	Holderness et al.	2015/0136796 A1	5/2015	Muehlhauser
9,888,977 B2	2/2018	Thomas et al.	2015/0300721 A1	10/2015	Rigoli
9,956,978 B1	5/2018	Worley	2015/0345853 A1	12/2015	Oeyen
9,970,610 B1	5/2018	Sandberg	2015/0375918 A1 *	12/2015	Holderness B65D 83/00 222/566
9,976,789 B2	5/2018	Grepper	2015/0377549 A1	12/2015	Cai et al.
D820,049 S	6/2018	Ahlstrom et al.	2016/0031617 A1	2/2016	Faucheaux, Jr. et al.
9,989,299 B1	6/2018	Ballard	2016/0073751 A1	3/2016	Charlebois et al.

(56)

References Cited

U.S. PATENT DOCUMENTS

2016/0113131 A1 4/2016 Ernesti et al.
 2016/0135559 A1 5/2016 Scally
 2016/0244239 A1 8/2016 Nash
 2017/0020256 A1 1/2017 Jankura et al.
 2017/0043800 A1 2/2017 Chaloux et al.
 2017/0055665 A1 3/2017 Lanzisera
 2017/0101301 A1 4/2017 Volin
 2017/0156525 A1 6/2017 Guy et al.
 2017/0159989 A1 6/2017 Bodnar
 2017/0197765 A1 7/2017 Hu et al.
 2017/0254578 A1 9/2017 Kriesel
 2017/0259956 A1 9/2017 Hori et al.
 2017/0292756 A1 10/2017 Fenko et al.
 2017/0305638 A1 10/2017 Sonntag et al.
 2017/0313492 A1 11/2017 Seiders et al.
 2017/0320653 A1 11/2017 Mogil et al.
 2017/0343247 A1 11/2017 Ahmad et al.
 2017/0368440 A1 12/2017 Graham et al.
 2018/0003425 A1 1/2018 Goodloe
 2018/0015938 A1 1/2018 DeFrancia
 2018/0016068 A1 1/2018 Valencia
 2018/0087819 A1 3/2018 Triska et al.
 2018/0127007 A1 5/2018 Kravchenko
 2018/0132586 A1 5/2018 Flaherty
 2018/0141718 A1 5/2018 Ahlstrom et al.
 2018/0186547 A1 7/2018 Morine et al.
 2018/0354687 A1 12/2018 Seiders et al.
 2019/0048631 A1 2/2019 Li
 2019/0152677 A1 5/2019 Hoyt
 2019/0161240 A1 5/2019 Ahlstrom et al.
 2019/0193338 A1 6/2019 Penumadu
 2019/0217999 A1 7/2019 Wood
 2019/0315538 A1 10/2019 Cheng

FOREIGN PATENT DOCUMENTS

CN 106246966 A 12/2016
 CN 205952653 U 2/2017
 CN 304286831 9/2017
 CN 109415154 B 4/2020
 CN 211816842 U 10/2020
 CN 112165890 A 1/2021
 CN 306312609 2/2021
 DE 8229359 U1 12/1982

DE 102005024853 B3 10/2006
 DE 102010054187 A1 6/2012
 DE 202017006895 U1 9/2018
 EM 007954169-0001 7/2020
 EM 007954169-0002 7/2020
 EP 1399347 A2 3/2004
 EP 1700551 A2 9/2006
 EP 2135816 A1 12/2009
 EP 2852505 A1 4/2015
 EP 2861899 A1 4/2015
 EP 3625145 A2 3/2020
 GB 1818 4/1909
 GB 2045135 A 2/1996
 GB 2095684 11/2000
 GB 2096851 1/2001
 GB 3005022 1/2003
 GB 3025672 12/2006
 JP 2012062076 A 3/2012
 JP 2017105487 A 6/2017
 JP 6769119 B2 10/2020
 WO 9821534 A1 5/1998
 WO 2006007266 A2 1/2006
 WO 2014074113 A1 5/2014
 WO 2016066817 A1 5/2016
 WO 2017019038 A1 2/2017
 WO 2017072531 A1 5/2017
 WO 2017182290 A1 10/2017
 WO 2018005859 A2 1/2018
 WO 2019231327 A1 12/2019
 WO 2020130806 A1 6/2020

OTHER PUBLICATIONS

gore.com/protectivevents—screw-in series—“Increase outdoor enclosure durability in harsh environments” p. 1-4.
 May 27, 2020—(WO) Partial International Search—PCT/US2019/065859.
 Jul. 28, 2020—(WO) International Search Report & Written Opinion—PCT/US19/065859.
 Nov. 4, 2020—(CN) Office Action—App. No. 202030157746.X.
 Apr. 8, 2021—(NZ) Examination Report 2—App. No. 427609.
 United States District Court Western District of Texas, Austin Division, “Complaint for Damages and Injunctive Relief”, *Yeti Coolers, LLC v. Hooked Coolers, Inc.*, Case 1:21-cv-00633, Document 1, filed Jul. 16, 2021, 28 pages.

* cited by examiner



FIG. 1

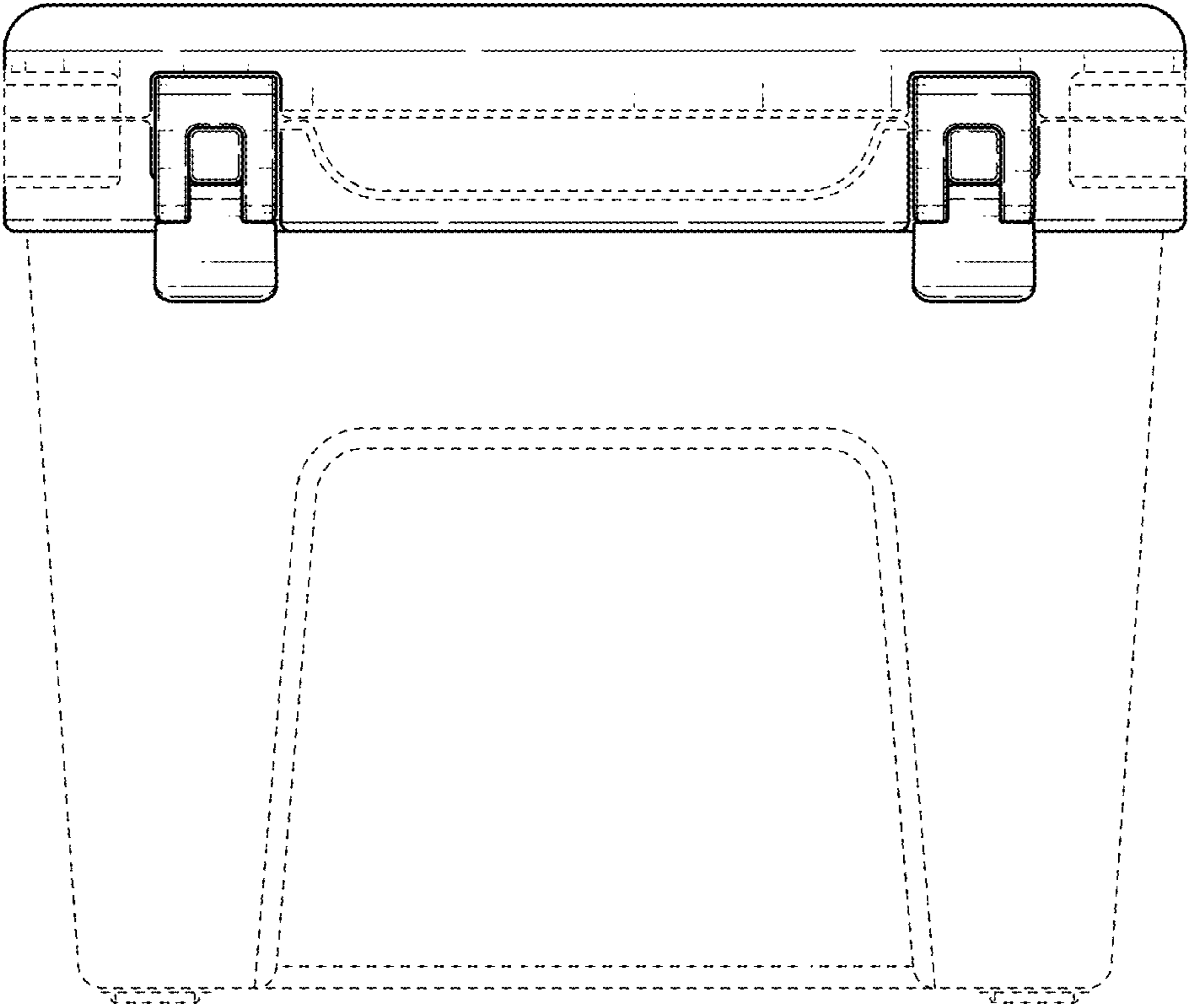


FIG. 2

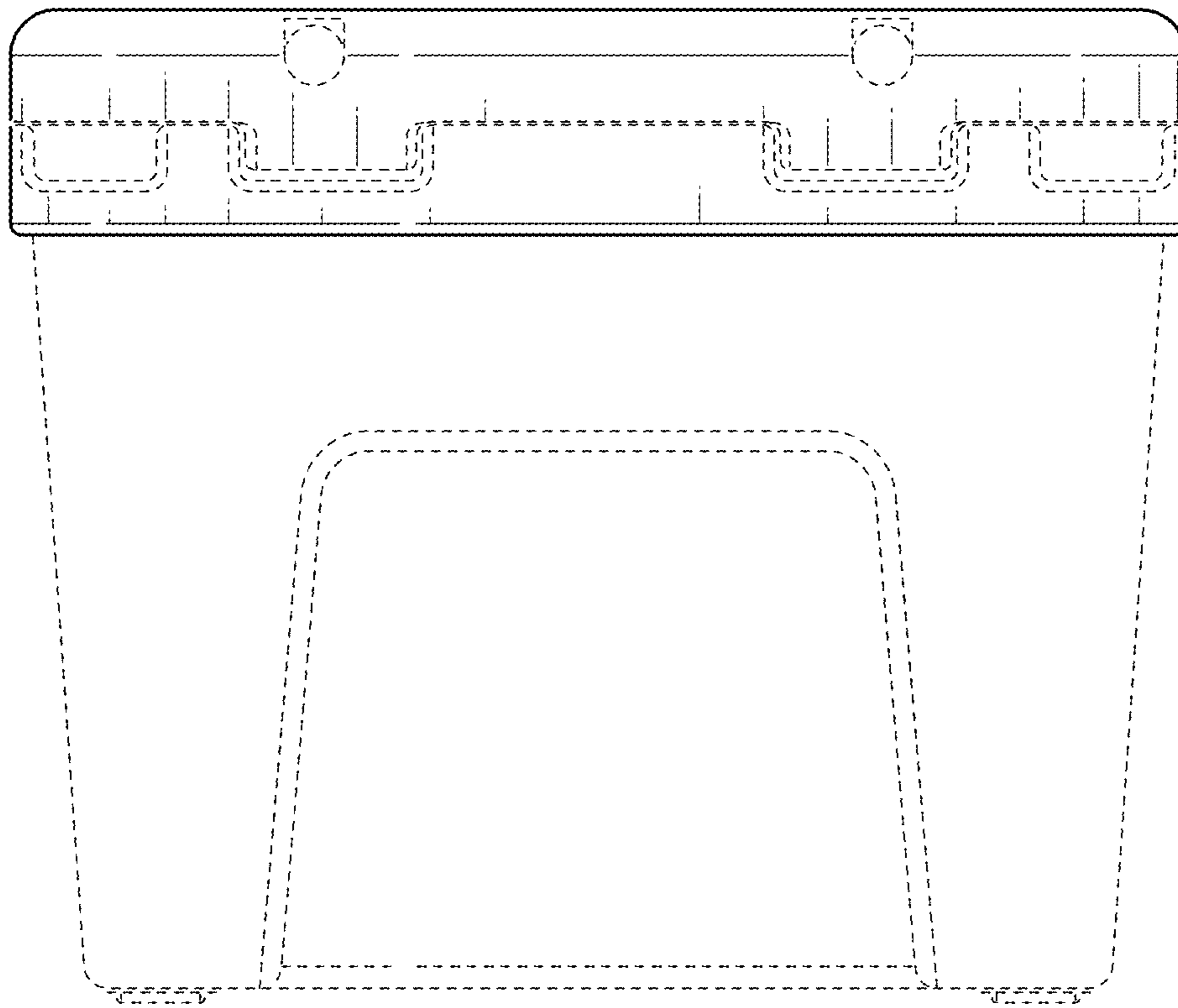


FIG. 3

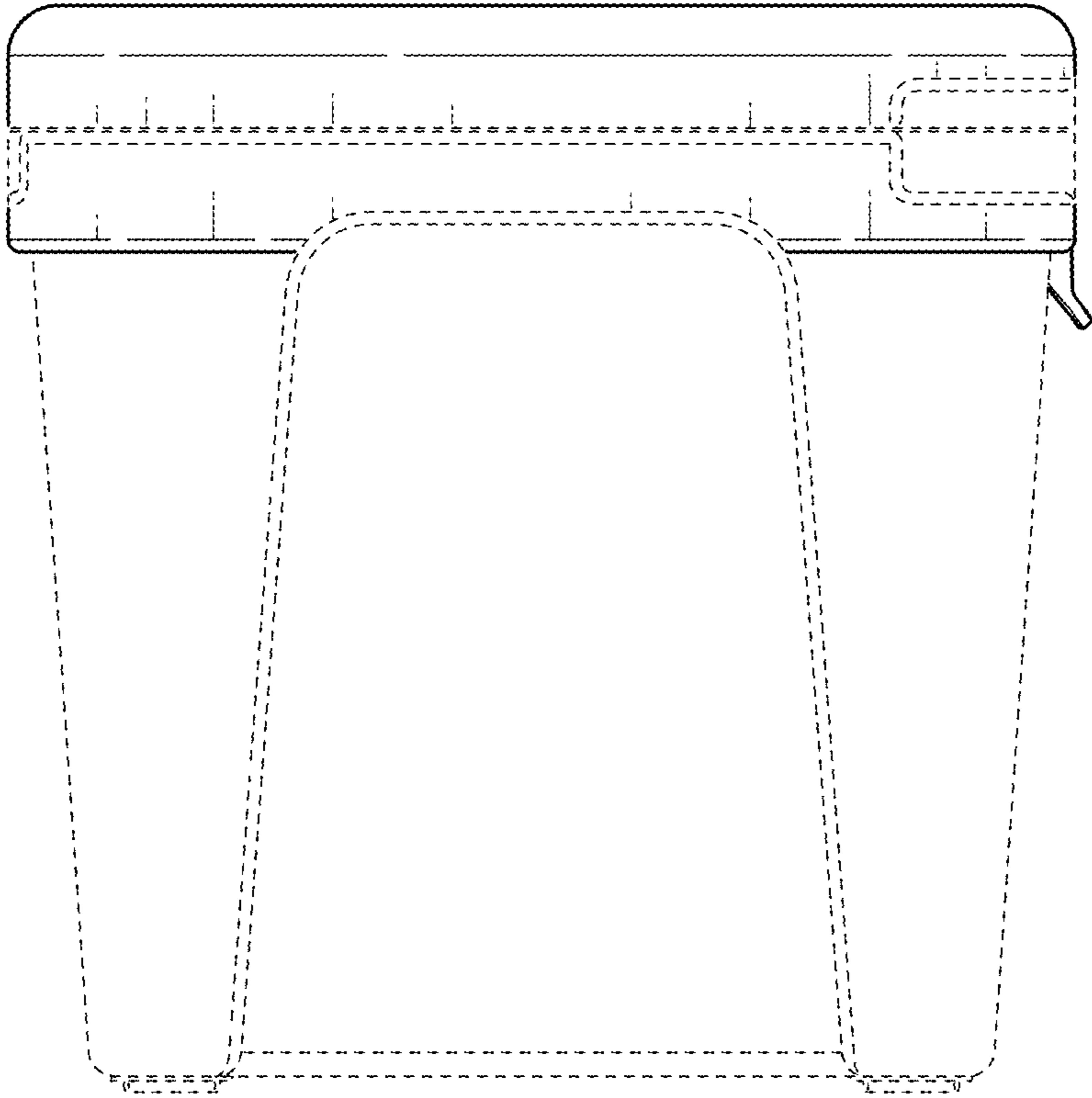


FIG. 4

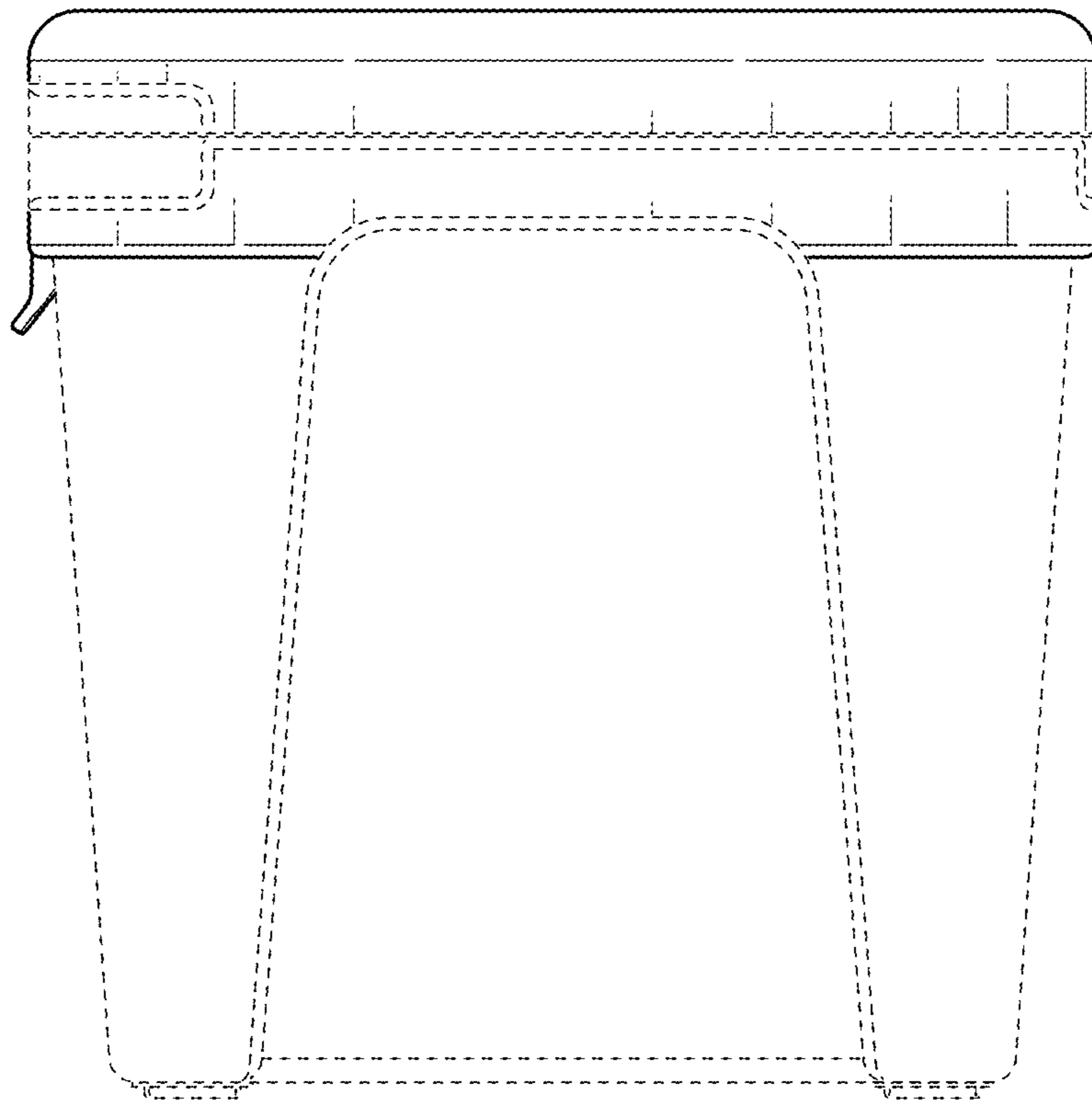


FIG. 5



FIG. 6

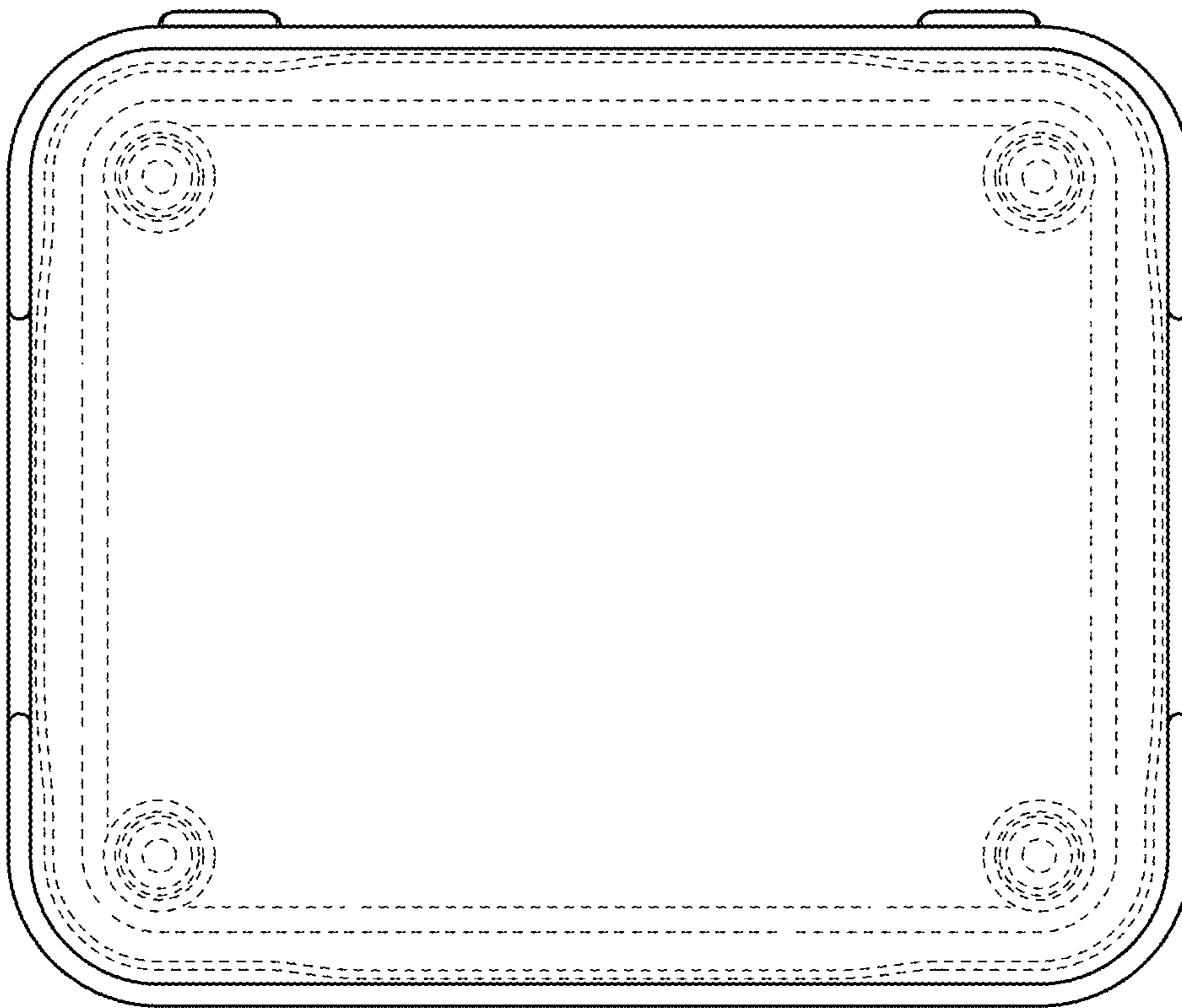


FIG. 7