



US00D942219S

(12) **United States Design Patent** (10) **Patent No.:** **US D942,219 S**
Bullock et al. (45) **Date of Patent:** **** Feb. 1, 2022**

(54) **CONTAINER**

(56)

References Cited

(71) Applicant: **YETI Coolers, LLC**, Austin, TX (US)

U.S. PATENT DOCUMENTS

(72) Inventors: **Dustin Bullock**, Austin, TX (US); **John Loudenslager**, Austin, TX (US); **John Fritz**, Austin, TX (US); **Michael Christopher Cieszko**, Austin, TX (US); **Andrew J. Winterhalter**, Austin, TX (US)

1,004,688 A	10/1911	Hunt	
2,555,126 A	5/1951	Greve	
2,652,698 A	9/1953	Schlumbohm	
2,706,895 A	4/1955	Thompson et al.	
2,803,368 A	8/1957	Koch	
2,850,885 A	9/1958	Mohr et al.	
2,856,092 A	10/1958	Knapp	
3,035,733 A	5/1962	Knapp	
3,414,160 A	12/1968	Weber	
4,143,695 A	3/1979	Hoehn	
4,162,029 A	7/1979	Gottsegen et al.	
4,351,165 A	9/1982	Gottsegen et al.	
4,368,819 A	1/1983	Durham	
4,459,827 A	7/1984	Rhodes	
4,484,682 A	11/1984	Crow	
4,537,044 A	8/1985	Putnam	
4,592,482 A	6/1986	Seager	
4,623,076 A	11/1986	Karpal	
4,648,512 A	3/1987	Tarozzi et al.	
4,802,344 A	2/1989	Livingston et al.	
4,846,493 A	7/1989	Mason	
4,858,444 A	8/1989	Scott	
4,873,841 A	10/1989	Bradshaw et al.	
4,939,912 A	7/1990	Leonovich, Jr.	
D311,476 S *	10/1990	Kumakura	D7/605
4,988,216 A	1/1991	Lyman	
5,007,250 A	4/1991	Musielak	
5,024,359 A	6/1991	Thomas	
5,044,513 A	9/1991	Van Berne	
5,050,767 A	9/1991	Peer	
D324,165 S	2/1992	Bressler et al.	
5,095,718 A	3/1992	Ormond et al.	
5,169,018 A	12/1992	Fiore	
5,176,215 A	1/1993	Ackerman	
5,184,477 A	2/1993	Brown et al.	
D333,775 S	3/1993	Krape	
5,213,381 A	5/1993	Anderson	
5,249,438 A	10/1993	Rhaney et al.	
5,251,460 A	10/1993	DeMarco et al.	
5,251,542 A	10/1993	Itoh et al.	
5,259,215 A	11/1993	Rocca	
5,284,294 A	2/1994	Floyd	
5,295,365 A	3/1994	Redford	
5,313,817 A	5/1994	Meinders	
5,319,937 A	6/1994	Fritsch et al.	
5,329,787 A	7/1994	Friday	
5,350,081 A	9/1994	Graham	
5,363,977 A	11/1994	Hoff	
5,373,708 A	12/1994	Dumoulin, Jr.	

(73) Assignee: **YETI Coolers, LLC**, Austin, TX (US)

(**) Term: **15 Years**

(21) Appl. No.: **29/800,119**

(22) Filed: **Jul. 19, 2021**

Related U.S. Application Data

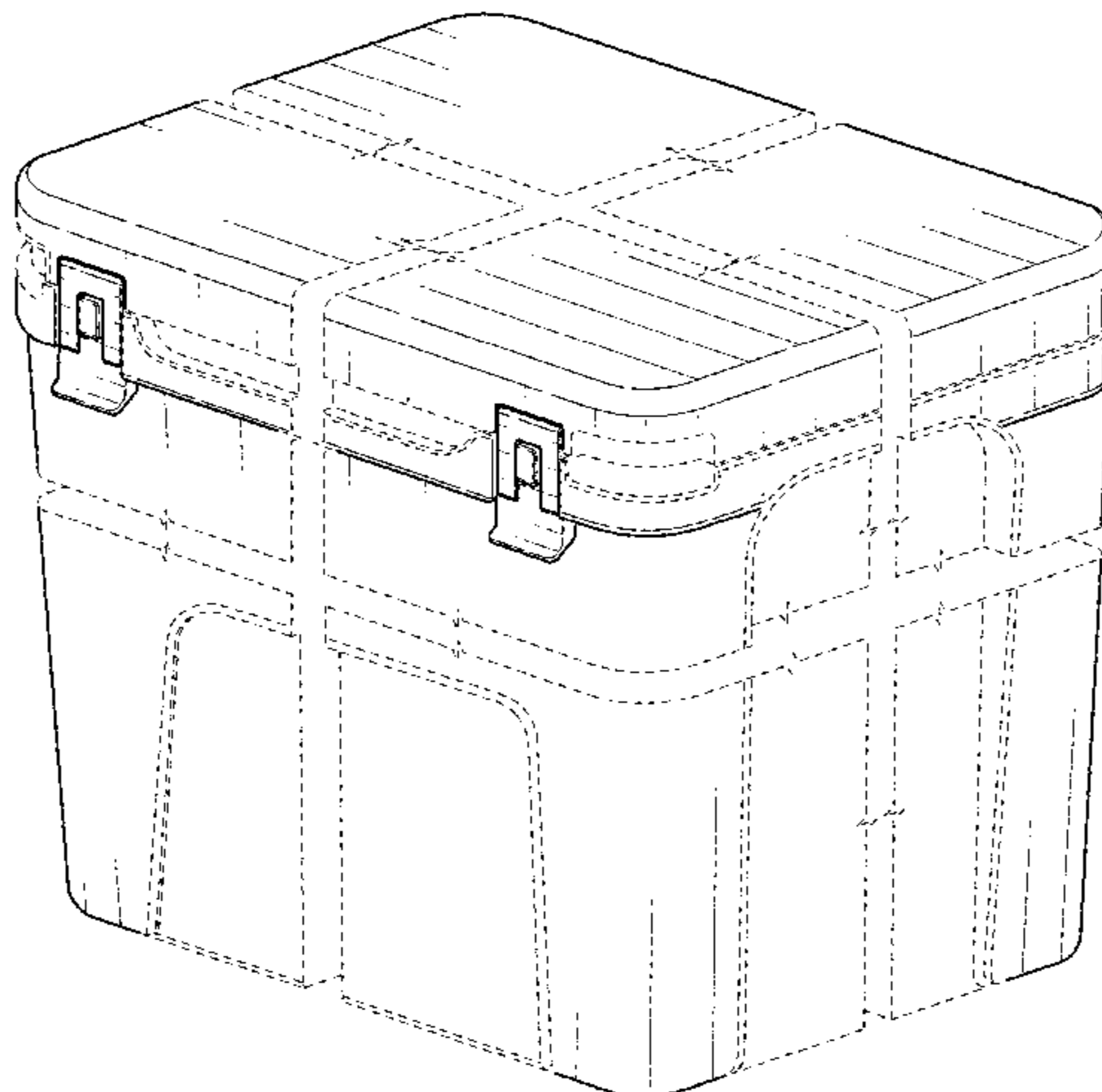
(63) Continuation of application No. 29/756,154, filed on Oct. 26, 2020, now Pat. No. Des. 925,295, which is a continuation of application No. 29/718,932, filed on Dec. 30, 2019, now Pat. No. Des. 899,869, which is a continuation of application No. 16/218,089, filed on Dec. 12, 2018, now Pat. No. 10,766,672.

(51) **LOC (13) Cl.** **07-01**

(52) **U.S. Cl.**
USPC **D7/605**

(58) **Field of Classification Search**
USPC D7/605-607, 709, 710, 629; D3/272-274
CPC F25D 3/08; F25D 3/02; F25D 3/04; F25D 3/06; F25D 3/14; F25D 3/107; F25D 2331/804; F25D 2331/801; B65D 81/38; B65D 81/3813; B65D 81/3816; B65D 81/3818; B65D 81/382; B65D 81/3823; B65D 81/3825; B65D 81/3827; B65D 81/383; B65D 81/3832; B65D 81/3834; B65D 81/3848; B65D 81/3851; B65D 81/3853; B65D 81/3855; B65D 81/3858; B65D 81/386; B65D 81/3862; A45C 11/20; A45C 3/00; A45C 2003/008

See application file for complete search history.



US D942,219 S

5,400,610	A	3/1995	Macedo	7,841,635	B2	11/2010	Fuchs	
5,403,095	A	4/1995	Melk	7,874,743	B2	1/2011	Berkey et al.	
5,423,426	A	6/1995	Harper	7,905,243	B2	3/2011	Minard et al.	
5,447,041	A	9/1995	Piechota	8,016,153	B2	9/2011	Boenig et al.	
5,460,285	A	10/1995	Harding, Sr.	8,052,004	B2	11/2011	Cheng et al.	
5,562,228	A	10/1996	Ericson	8,066,139	B2	11/2011	Baughman	
5,626,373	A	5/1997	Chambers et al.	8,123,236	B1	2/2012	Helenihi	
5,738,238	A	4/1998	Yang	8,152,367	B2	4/2012	Roberts et al.	
5,740,940	A	4/1998	Weiss	8,176,749	B2	5/2012	LaMere et al.	
5,845,515	A	12/1998	Nelson	8,191,747	B2	6/2012	Pruchnicki	
5,860,281	A	1/1999	Coffee et al.	8,215,518	B2	7/2012	Hyde et al.	
5,865,037	A	2/1999	Bostic	8,230,697	B2	7/2012	Lavallee	
5,913,448	A	6/1999	Mann et al.	8,251,245	B2	8/2012	DiPietro et al.	
5,944,205	A	8/1999	LaJoie et al.	8,256,156	B1	9/2012	Burgoyne, Jr.	
5,971,218	A	10/1999	Le	8,297,464	B2	10/2012	Grenier et al.	
6,067,813	A	5/2000	Smith	8,308,008	B2	11/2012	Perry et al.	
D427,885	S	7/2000	Ayrest	8,353,418	B2	1/2013	Bork	
6,092,661	A	7/2000	Mogil	8,366,859	B2	2/2013	Wijk et al.	
6,158,745	A	12/2000	Deighton	8,430,284	B2	4/2013	Broadbent et al.	
6,176,499	B1	1/2001	Conrado et al.	8,524,342	B2	9/2013	Hager et al.	
6,192,703	B1	2/2001	Salyer et al.	8,544,648	B2*	10/2013	Cleveland	B65D 81/3823
6,193,097	B1	2/2001	Martin Perianes et al.					206/508
6,199,570	B1	3/2001	Patarra	8,544,670	B2	10/2013	Brilmyer	
6,244,066	B1	6/2001	LaRose	8,562,520	B2	10/2013	Rockrohr	
6,244,458	B1	6/2001	Frysiner et al.	8,573,002	B2	11/2013	Ledoux et al.	
6,296,134	B1	10/2001	Cardinale	8,590,724	B2	11/2013	Kreidler et al.	
6,296,165	B1	10/2001	Mears	8,596,485	B2	12/2013	Lindsay	
6,305,547	B1	10/2001	Curran	8,622,235	B2	1/2014	Suchecki	
6,336,577	B1	1/2002	Harris et al.	8,622,279	B2	1/2014	Bamett	
6,398,272	B1	6/2002	Plummer et al.	8,652,032	B2	2/2014	Yamane	
6,409,066	B1	6/2002	Schneider et al.	8,668,802	B2	3/2014	Van Wijngaarden	
6,427,886	B1	8/2002	Essex	8,678,024	B2	3/2014	Freiler	
6,457,750	B1	10/2002	Sokurenko et al.	8,701,928	B2	4/2014	Samson	
6,484,880	B1	11/2002	Shaeffer	D707,100	S	6/2014	Kinsky et al.	
6,622,881	B2	9/2003	Hardigg	8,740,010	B1	6/2014	Page	
D482,241	S	11/2003	Tyler	8,746,498	B2	6/2014	Maldonado et al.	
6,698,608	B2	3/2004	Parker et al.	8,759,710	B2	6/2014	Brunnecker et al.	
D489,595	S	5/2004	Gleichauf et al.	8,794,469	B2	8/2014	Bratsch	
6,736,309	B1	5/2004	Westerman et al.	8,820,363	B2	9/2014	Polivka et al.	
6,739,150	B2	5/2004	Mompo Garcia	8,875,934	B2	11/2014	Deka	
D491,440	S	6/2004	Pfeiffer et al.	8,887,515	B2	11/2014	Patstone	
D492,184	S	6/2004	Parker et al.	D721,569	S	1/2015	Ziegler	
6,789,692	B2	9/2004	Prezelin	8,939,315	B2	1/2015	Pillow et al.	
6,789,693	B2	9/2004	Lassiter	8,944,476	B1	2/2015	Henderson	
6,955,381	B2	10/2005	Parker et al.	8,967,419	B2	3/2015	Gerber et al.	
6,976,370	B2	12/2005	Fiene	8,979,073	B2	3/2015	Lykins et al.	
6,993,931	B1	2/2006	Hamilton	8,979,144	B2	3/2015	Paugh et al.	
7,013,671	B1	3/2006	Bolda	9,027,722	B1	5/2015	Parker	
7,059,100	B2	6/2006	Babini et al.	9,052,025	B2	6/2015	Zinn et al.	
7,066,347	B2	6/2006	Slovak et al.	9,091,449	B2	7/2015	Donaldson et al.	
D528,368	S*	9/2006	Maldonado	9,091,477	B2	7/2015	Magnus	D7/605
7,128,369	B2	10/2006	Boggs et al.	D739,302	S	9/2015	Nilsen et al.	
7,141,768	B2	11/2006	Malofsky et al.	9,126,747	B2	9/2015	Burgess et al.	
7,147,125	B1	12/2006	Slovak et al.	9,132,598	B2	9/2015	Ernst	
7,243,676	B2	7/2007	Bailey	9,139,352	B2	9/2015	Seiders et al.	
D548,565	S	8/2007	Vickers	9,140,476	B2	9/2015	Eckhoff et al.	
7,313,927	B2	1/2008	Barker	9,163,871	B1	10/2015	Costello	
7,328,818	B2	2/2008	Prabucki	D744,810	S	12/2015	Pillmnan	
7,344,028	B2	3/2008	Hanson	9,199,782	B1	12/2015	Cliatt	
7,357,709	B2	4/2008	Zukor et al.	9,211,674	B2	12/2015	Van Tooren	
7,360,784	B2	4/2008	Stewart et al.	D747,950	S	1/2016	Jacobsen et al.	
7,389,608	B1	6/2008	MacKay	D747,951	S	1/2016	Jacobsen et al.	
7,412,846	B2	8/2008	Sekiya et al.	9,227,643	B1	1/2016	Bonilla et al.	
7,427,181	B2	9/2008	Denton et al.	D748,452	S	2/2016	Jacobsen et al.	
7,461,871	B2	12/2008	Vauchel	9,260,129	B2	2/2016	Thompson	
7,538,302	B2	5/2009	Ferrari et al.	9,265,318	B1	2/2016	Williams et al.	
7,540,364	B2	6/2009	Sanderson	D750,953	S	3/2016	Jacobsen et al.	
D598,194	S	8/2009	Turvey et al.	9,271,553	B2	3/2016	Ponx	
7,584,842	B2	9/2009	Neumeyer et al.	9,271,595	B2	3/2016	Lee	
7,597,478	B2	10/2009	Pruchnicki et al.	9,278,704	B2	3/2016	Cates	
D603,684	S	11/2009	Martis et al.	9,282,797	B1	3/2016	Soto	
7,621,417	B2	11/2009	Peterson et al.	9,296,543	B2	3/2016	Wooldridge et al.	
7,658,213	B1	2/2010	Anderson et al.	9,310,118	B2	4/2016	Zavitsanos	
7,677,406	B2	3/2010	Maxson	9,320,938	B1	4/2016	Belmore	
7,677,580	B2	3/2010	Vanderberg et al.	9,341,003	B2	5/2016	Ely et al.	
7,726,880	B2	6/2010	Zimmerman et al.	9,341,275	B2	5/2016	Peck et al.	
7,735,334	B2	6/2010	Johnson	D759,590	S	6/2016	Wang	
7,806,271	B1	10/2010	Kraska	9,389,010	B1	7/2016	Booker, Sr.	
7,837,053	B2	11/2010	Arnett et al.	9,414,893	B2	8/2016	Jacobson	

US D942,219 S

9,415,787 B2	8/2016	Mericle	2010/0200588 A1	8/2010	Bergman et al.
9,462,796 B1	10/2016	Ellis et al.	2010/0212351 A1	8/2010	Chapin et al.
9,528,638 B2	12/2016	Hooberman	2010/0288776 A1	11/2010	Bodum
9,550,508 B1	1/2017	Parra	2011/0062157 A1	3/2011	Grimm
9,572,410 B2	2/2017	Fiedler	2011/0062287 A1	3/2011	Metzech et al.
9,578,938 B1	2/2017	Verneuille	2011/0127264 A1	6/2011	Whalen
9,616,910 B2	4/2017	Chaloux et al.	2011/0197625 A1	8/2011	Urban et al.
9,648,990 B1	5/2017	Corney	2011/0215125 A1	9/2011	Lopez
9,668,510 B2	6/2017	Doman	2011/0226785 A1	9/2011	Sakell
9,669,986 B1	6/2017	Evans	2012/0117921 A1	5/2012	Toft et al.
9,676,522 B1	6/2017	Stovall	2012/0318808 A1	12/2012	McCormick
9,718,070 B2	8/2017	Arminak et al.	2013/0043250 A1	2/2013	Kreidler et al.
9,726,415 B1	8/2017	Spalti	2014/0226920 A1	8/2014	Passavia
9,738,296 B2	8/2017	McBeth	2014/0252010 A1	9/2014	Miller
9,809,357 B2	11/2017	Arnold et al.	2015/0008242 A1	1/2015	Kpabar, Jr.
9,849,901 B2	12/2017	Jackman	2015/0047635 A1	2/2015	Poree
9,857,119 B2	1/2018	Keenan	2015/0136796 A1	5/2015	Muehlhauser
9,878,841 B2	1/2018	Holderness et al.	2015/0300721 A1	10/2015	Rigoli
9,888,977 B2	2/2018	Thomas et al.	2015/0345853 A1	12/2015	Oeyen
9,956,978 B1	5/2018	Worley	2015/0375918 A1*	12/2015	Holderness B65D 83/00
9,970,610 B1	5/2018	Sandberg			222/566
9,976,789 B2	5/2018	Grepper	2015/0377549 A1	12/2015	Cai et al.
D820,049 S	6/2018	Ahlstrom et al.	2016/0031617 A1	2/2016	Faucheaux, Jr. et al.
9,989,299 B1	6/2018	Ballard	2016/0073751 A1	3/2016	Charlebois et al.
D826,027 S	8/2018	Carey et al.	2016/0113131 A1	4/2016	Ernesti et al.
10,082,329 B1	9/2018	Sandberg et al.	2016/0135559 A1	5/2016	Scally
D830,122 S	10/2018	Seiders et al.	2016/0244239 A1	8/2016	Nash
D830,123 S	10/2018	Seiders et al.	2017/0020256 A1	1/2017	Jankura et al.
D835,472 S *	12/2018	Seiders D7/605	2017/0043800 A1	2/2017	Chaloux et al.
D844,386 S	4/2019	Ahlstrom et al.	2017/0055665 A1	3/2017	Lanzisera
10,316,550 B2	6/2019	Reinhart	2017/0101301 A1	4/2017	Volin
10,322,867 B2	6/2019	Furneaux et al.	2017/0156525 A1	6/2017	Guy et al.
10,415,868 B2	9/2019	Grepper	2017/0159989 A1	6/2017	Bodnar
10,427,356 B1	10/2019	Holbrook et al.	2017/0197765 A1	7/2017	Hu et al.
10,538,365 B2	1/2020	Wood	2017/0254578 A1	9/2017	Kriesel
10,588,388 B2	3/2020	Kabalin	2017/0259956 A1	9/2017	Hori et al.
D880,951 S	4/2020	Jacobsen	2017/0292756 A1	10/2017	Fenko et al.
D887,789 S	6/2020	Seiders et al.	2017/0305638 A1	10/2017	Sonntag et al.
D891,194 S	7/2020	Stanford et al.	2017/0313492 A1	11/2017	Seiders et al.
D892,565 S	8/2020	Astle et al.	2017/0320653 A1	11/2017	Mogil et al.
D897,160 S	9/2020	Hamilton	2017/0343247 A1	11/2017	Ahmad et al.
D899,869 S	10/2020	Bullock et al.	2017/0368440 A1	12/2017	Graham et al.
D900,588 S	11/2020	Rolfs et al.	2018/0003425 A1	1/2018	Goodloe
10,827,808 B2	11/2020	Seiders et al.	2018/0015938 A1	1/2018	DeFrancia
D904,128 S	12/2020	Ellison et al.	2018/0016068 A1	1/2018	Valencia
D904,129 S	12/2020	Astle	2018/0087819 A1	3/2018	Triska et al.
2003/0111476 A1	6/2003	Serio	2018/0127007 A1	5/2018	Kravchenko
2003/0136702 A1	7/2003	Redzisz et al.	2018/0132586 A1	5/2018	Flaherty
2004/0025531 A1	2/2004	Holloman-Hughes et al.	2018/0141718 A1	5/2018	Ahlstrom et al.
2004/0144783 A1	7/2004	Anderson et al.	2018/0186547 A1	7/2018	Morine et al.
2004/0182870 A1	9/2004	Rodgers	2018/0354687 A1	12/2018	Seiders et al.
2004/0262319 A1	12/2004	Fisher	2019/0048631 A1	2/2019	Li
2005/0082305 A1	4/2005	Dais et al.	2019/0152677 A1	5/2019	Hoyt
2005/0109776 A1*	5/2005	Camp A45C 11/20	2019/0161240 A1	5/2019	Ahlstrom et al.
		220/23.86	2019/0193338 A1	6/2019	Penumadu
2005/0127081 A1	6/2005	Leba et al.	2019/0217999 A1	7/2019	Wood
2005/0263527 A1*	12/2005	Maldonado A45C 13/40	2019/0315538 A1	10/2019	Cheng
		220/592.2			
2005/0269541 A1	12/2005	Bodum			
2005/0279123 A1	12/2005	Maldonado et al.			
2005/0279124 A1	12/2005	Maldonado			
2006/0017293 A1	1/2006	Tonelli			
2006/0042897 A1*	3/2006	Sanderson E05B 65/5276			
		190/120			
2006/0276768 A1	12/2006	Miller et al.			
2007/0240383 A1	10/2007	Keller et al.			
2007/0284377 A1	12/2007	Chandler			
2007/0290466 A1	12/2007	Lenz			
2008/0134714 A1	6/2008	Villanueva			
2008/0145919 A1	6/2008	Franklin et al.			
2008/0164265 A1	7/2008	Conforti			
2008/0178629 A1	7/2008	Meether			
2008/0190940 A1	8/2008	Scott			
2009/0114646 A1	5/2009	Whalen			
2009/0158770 A1	6/2009	Cohrs et al.			
2009/0188736 A1	7/2009	Niddam et al.			
2009/0217699 A1	9/2009	Ball			
2009/0274398 A1	11/2009	Men			
2010/0126196 A1	5/2010	McCance			

FOREIGN PATENT DOCUMENTS

CA	152932 A	1/1914
CN	203811219 U	9/2014
CN	106246966 A	12/2016
CN	205952653 U	2/2017
CN	304286831	9/2017
CN	109415154 B	4/2020
CN	211816842 U	10/2020
CN	112165890 A	1/2021
CN	306312609	2/2021
DE	8229359 U1	12/1982
DE	102005024853 B3	10/2006
DE	102010054187 A1	6/2012
DE	202017006895 U1	9/2018
EM	007954169-0001	7/2020
EM	007954169-0002	7/2020
EP	1399347 A2	3/2004
EP	1700551 A2	9/2006
EP	2135816 A1	12/2009
EP	2852505 A1	4/2015

EP	2861899	A1	4/2015
EP	3625145	A2	3/2020
GB	1818		4/1909
GB	2045135	A	2/1996
GB	2095684		11/2000
GB	2096851		1/2001
GB	3005022		1/2003
GB	3025672		12/2006
JP	2012062076	A	3/2012
JP	2017105487	A	6/2017
JP	6769119	B2	10/2020
WO	9821534	A1	5/1998
WO	2006007266	A2	1/2006
WO	2014074113	A1	5/2014
WO	2016066817	A1	5/2016
WO	2017019038	A1	2/2017
WO	2017072531	A1	5/2017
WO	2017182290	A1	10/2017
WO	2018005859	A2	1/2018
WO	2019231327	A1	12/2019
WO	2020130806	A1	6/2020

OTHER PUBLICATIONS

Dometic Patrol 35 https://shop.dometic.com/store/dometic/en_US/pd/productID.5178771400 (12 pp) Oct. 23, 2019.
 Gore.com/protectivevents—screw-in series—“Increase outdoor enclosure durability in harsh environments” p. 1-4.
 May 2 2020—(WO) Partial International Search—PCT/US2019/065859.
 Jul. 28, 2020—(WO) International Search Report & Written Opinion—PCT/US19/065859.
 Nov. 4, 2020—(CN) Office Action—App. No. 202030157746.X.
 Apr. 8, 2021—(NZ) Examination Report 2—App. No. 427609.

United States District Court Western District of Texas, Austin Division, “Complaint for Damages and Injunctive Relief”, *Yeti Coolers, LLC v. Hooked Coolers, Inc.*, Case 1:21-cv-00633, Document 1, filed Jul. 16, 2021, 28 pages.

* cited by examiner

Primary Examiner — Terry A Wallace
 (74) *Attorney, Agent, or Firm* — Banner & Witcoff, Ltd.

(57) **CLAIM**

The ornamental design for a container, as shown and described.

DESCRIPTION

FIG. 1 is a front, right, perspective view of a container showing our new design;
 FIG. 2 is a front view thereof;
 FIG. 3 is a rear view thereof;
 FIG. 4 is a right side view thereof;
 FIG. 5 is a left side view thereof;
 FIG. 6 is a top view thereof; and,
 FIG. 7 is a bottom view thereof.

The even-length broken lines represent unclaimed boundaries and form no part of the claimed design. The container is shown with a symbolic break in its length, width, and height. The appearance of any portion of the article between the break lines forms no part of the claimed design.

1 Claim, 6 Drawing Sheets

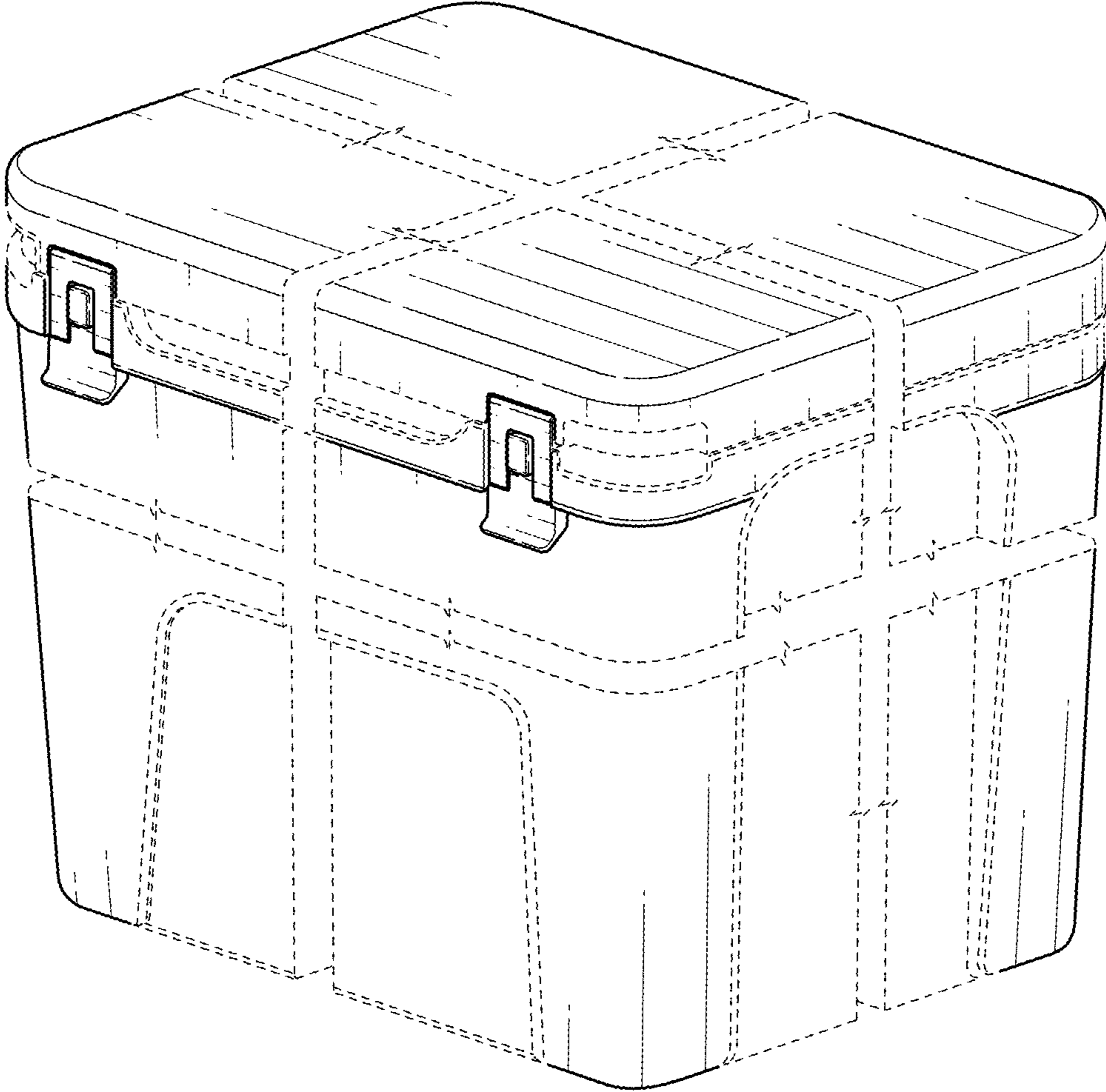


FIG. 1

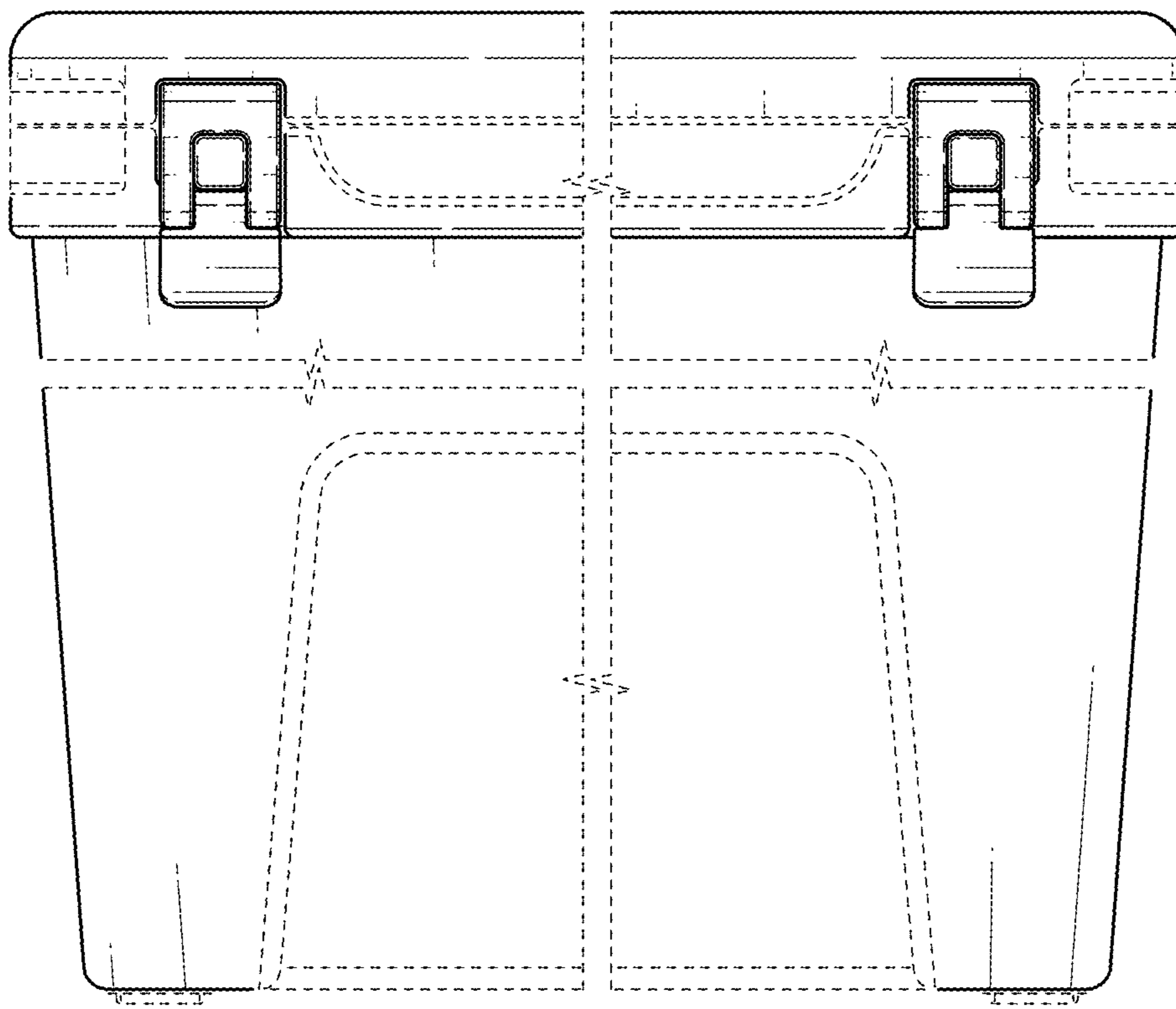


FIG. 2

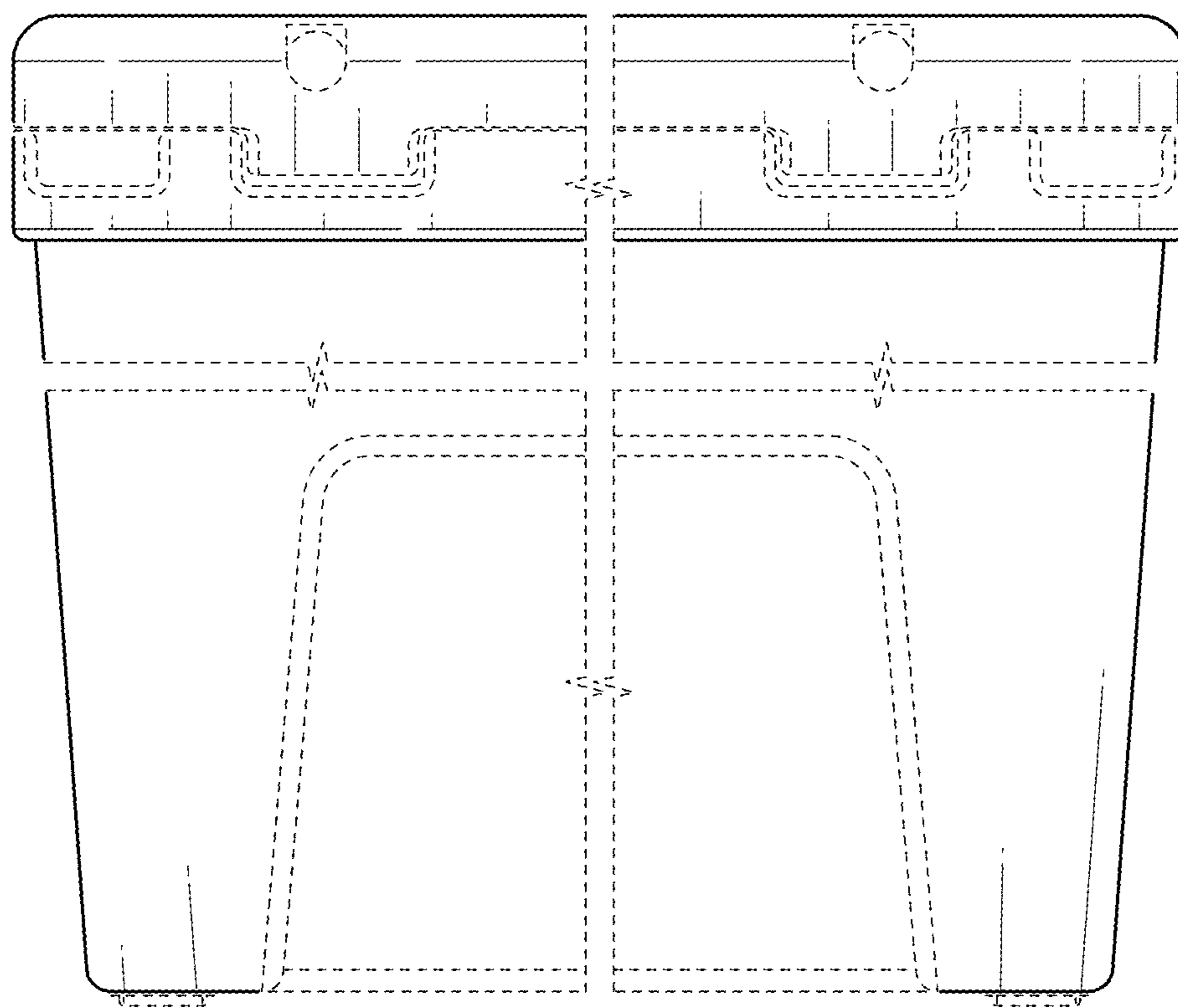


FIG. 3

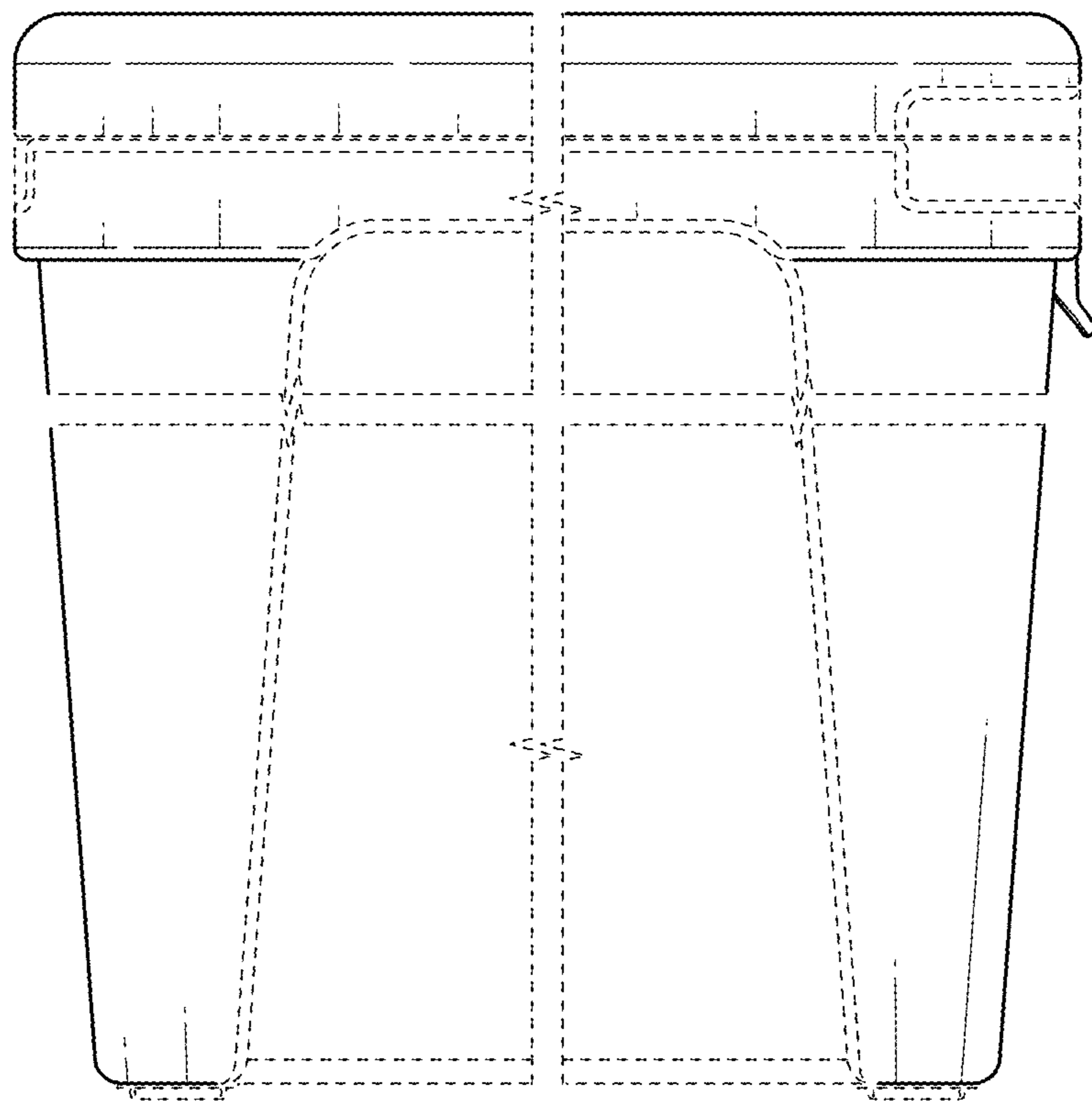


FIG. 4

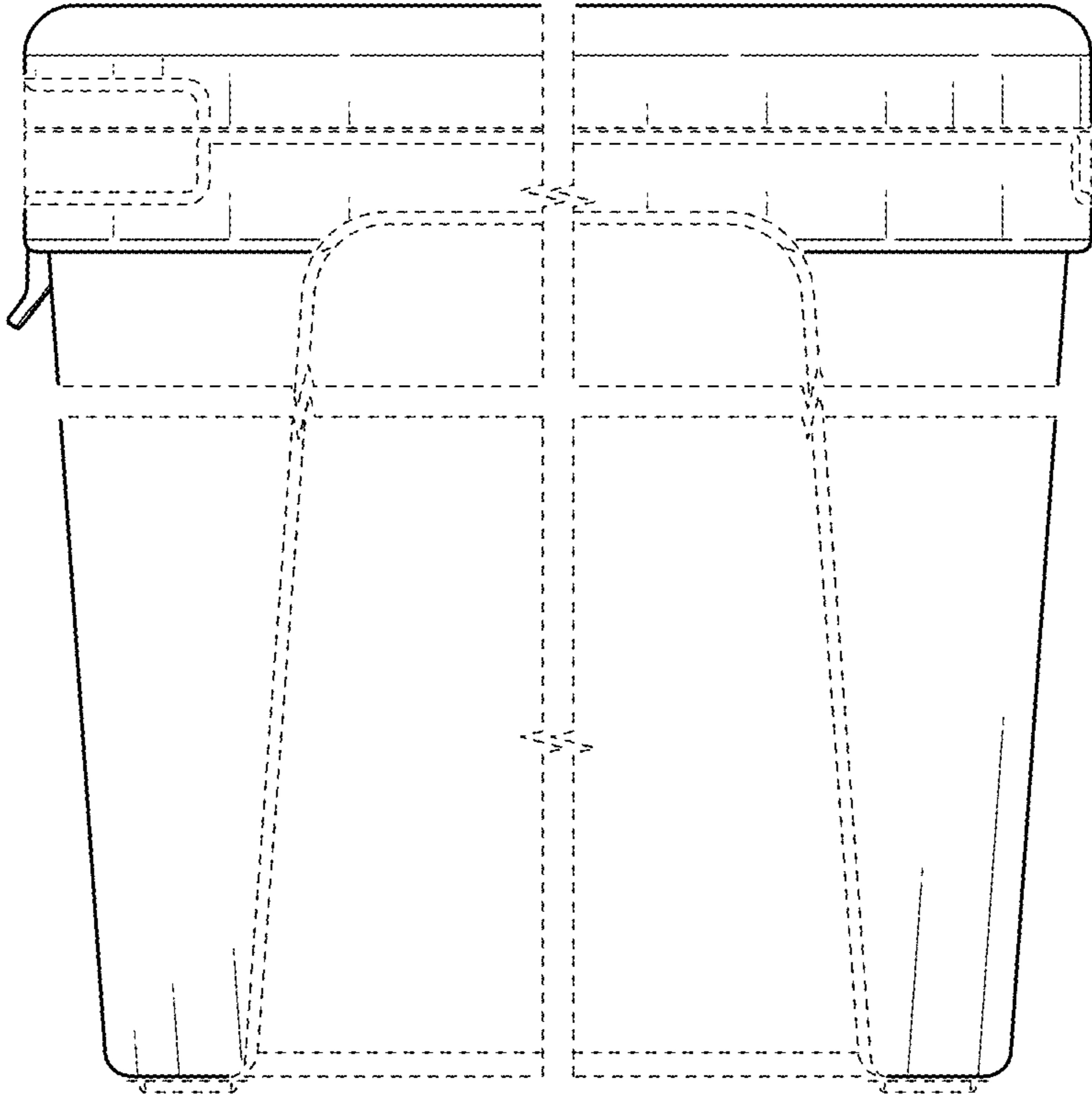


FIG. 5

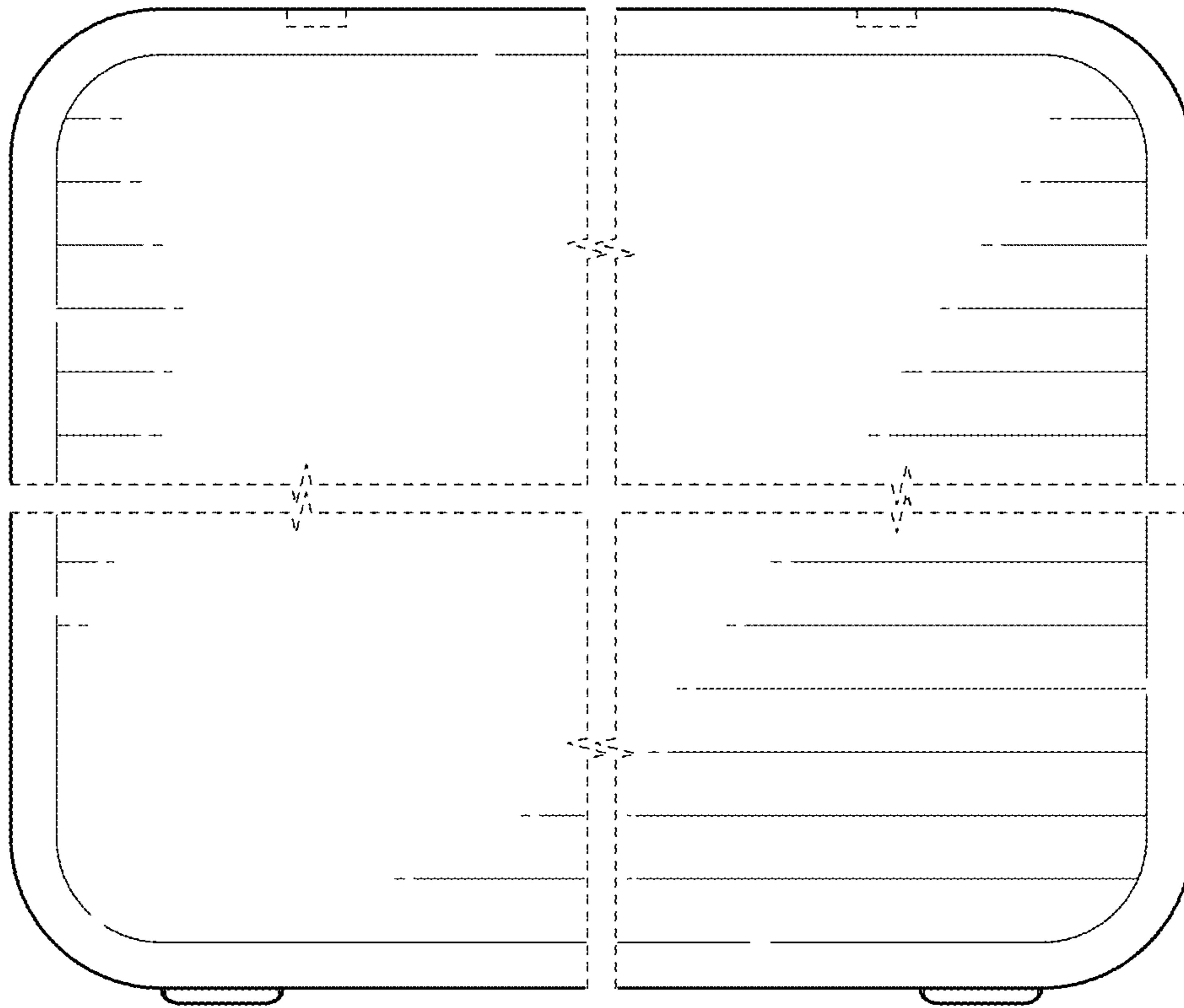


FIG. 6

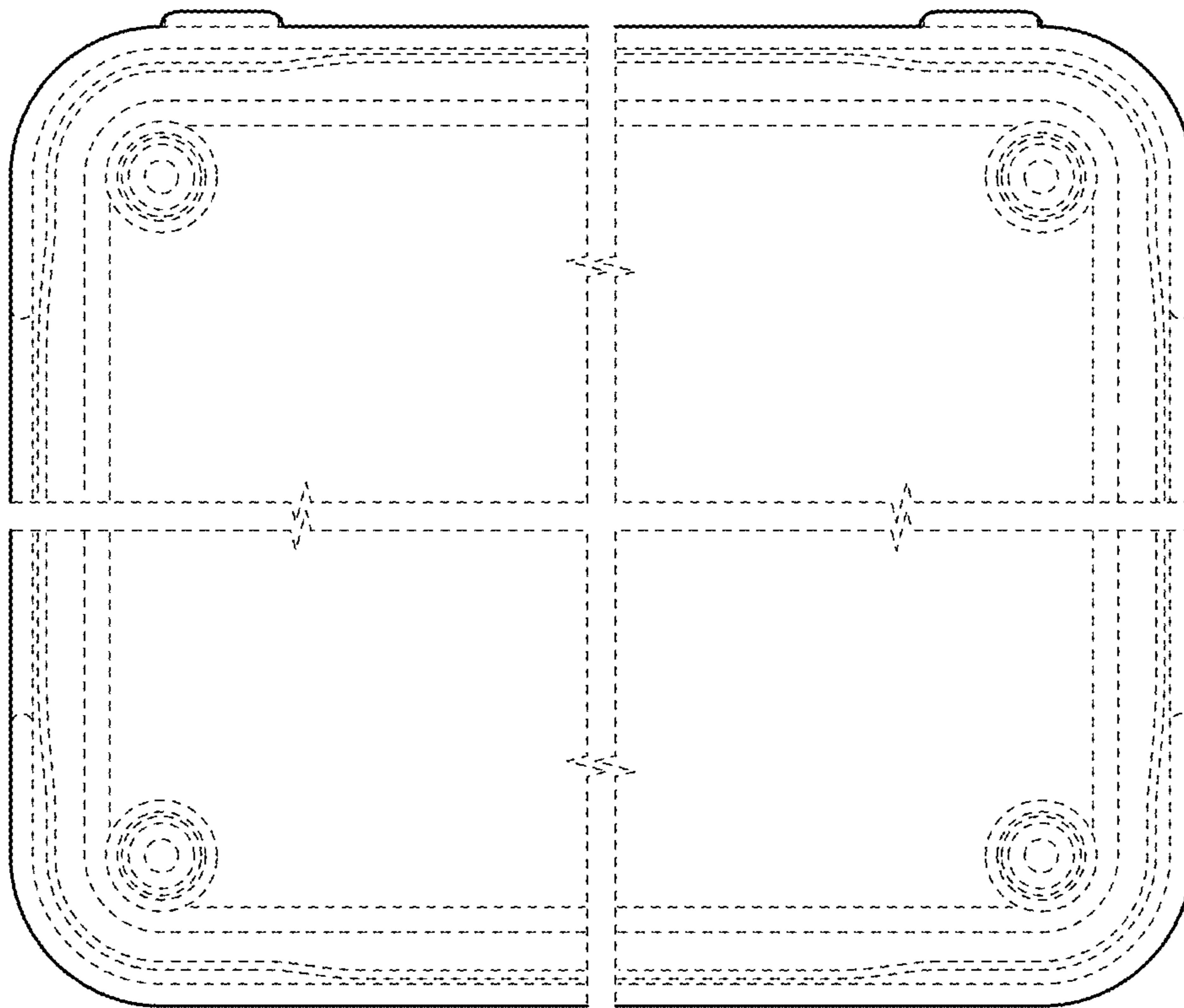


FIG. 7