



US00D942218S

(12) **United States Design Patent** (10) **Patent No.:** **US D942,218 S**
Astle (45) **Date of Patent:** **** Feb. 1, 2022**

(54) **COOLER**
(71) Applicant: **LIFETIME PRODUCTS, INC.,**
Clearfield, UT (US)
(72) Inventor: **Robert A. Astle,** Kaysville, UT (US)
(73) Assignee: **Lifetime Products, Inc.,** Clearfield, UT
(US)
(**) Term: **15 Years**
(21) Appl. No.: **29/713,735**

D354,419 S * 1/1995 Kahl D7/605
D374,772 S * 10/1996 Hotaling D3/273
D429,606 S 8/2000 Israel
D429,966 S * 8/2000 Israel D7/605
D451,765 S * 12/2001 Israel D7/605
D452,262 S 12/2001 MacNeil et al.
D545,633 S 7/2007 Hussaini
D566,479 S * 4/2008 Kabalin D3/273
8,061,547 B2 * 11/2011 Camp, Jr. A45C 11/20
220/507
D652,262 S 1/2012 Yang
8,356,712 B2 1/2013 Piazza, Jr.
D712,720 S 9/2014 Seiders
D712,721 S 9/2014 Seiders
D712,722 S 9/2014 Seiders

(Continued)

(22) Filed: **Nov. 18, 2019**
(51) **LOC (13) Cl.** **07-01**
(52) **U.S. Cl.**
USPC **D7/605**
(58) **Field of Classification Search**
USPC D7/605, 606, 607; D3/287, 276, 289,
D3/283, 291, 272-274, 201, 203.1-203.8
CPC B65D 81/3897; B65D 81/38; B65D
81/3813; B65D 81/3816; B65D 81/3818;
B65D 81/382; B65D 81/3823; B65D
81/3825; B65D 81/3827; B65D 81/383;
B65D 81/3832; B65D 81/3834; B65D
81/3848; B65D 81/3851; B65D 81/3853;
B65D 81/3855; B65D 81/3858; B65D
81/386; B65D 81/3862; F25D 3/08; F25D
3/02; F25D 3/04; F25D 3/06; F25D 3/14;
F25D 3/107; F25D 2331/804; F25D
2331/801; A45C 11/20; A45C 3/00; A45C
2003/008

See application file for complete search history.

(56) **References Cited**

U.S. PATENT DOCUMENTS

D281,695 S * 12/1985 Ryan, Jr. D7/605
4,592,482 A * 6/1986 Seager A45C 11/20
220/318
D325,323 S * 4/1992 Kahl D7/605

OTHER PUBLICATIONS

U.S. Appl. No. 29/652,414, filed Aug. 10, 2020.
(Continued)

Primary Examiner — Terry A Wallace
(74) *Attorney, Agent, or Firm* — Maschoff Brennan

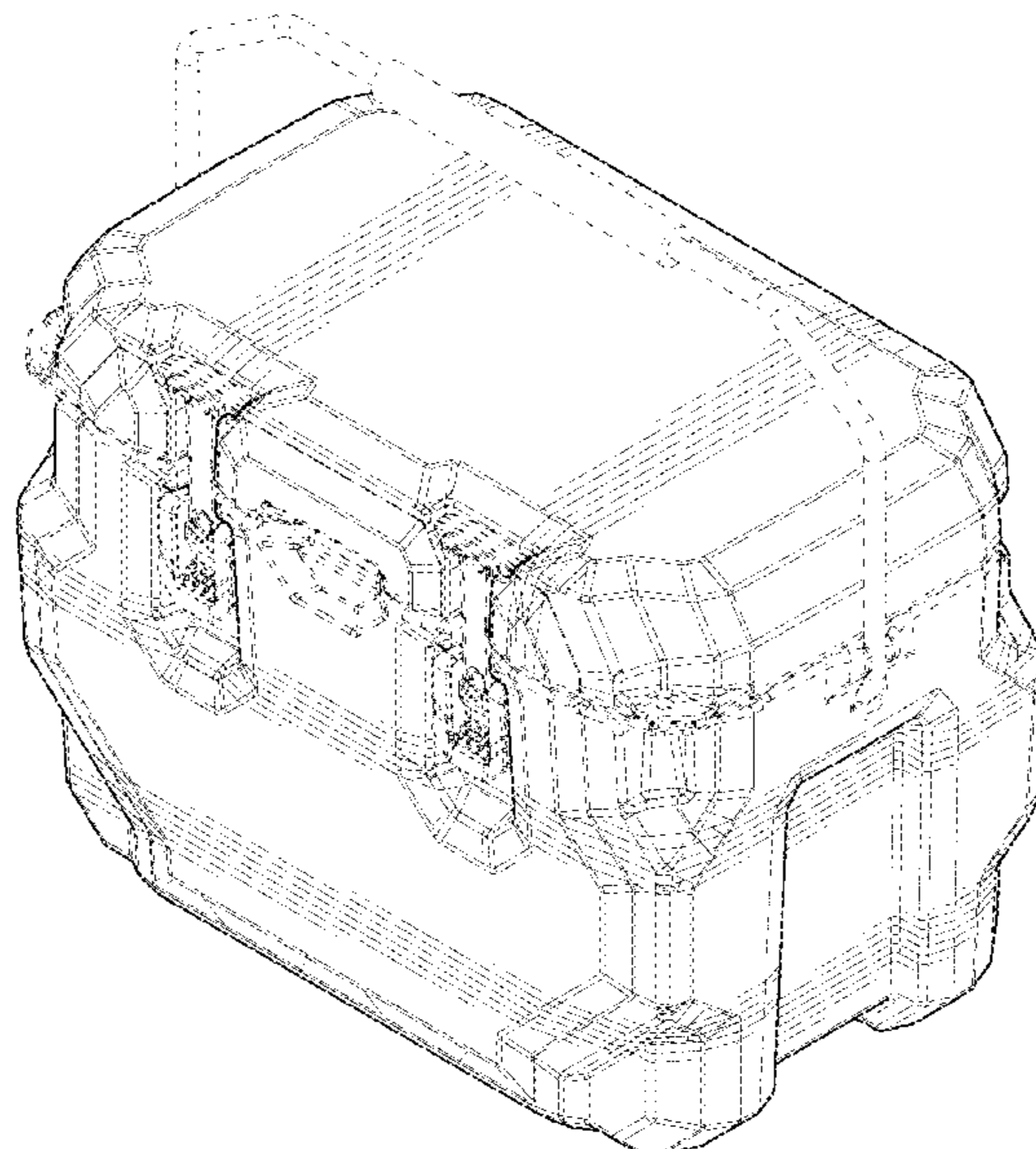
(57) **CLAIM**

The ornamental design for a cooler, as shown and described.

DESCRIPTION

FIG. 1 is an upper perspective view of a cooler showing my new design.
FIG. 2 is a lower perspective view thereof;
FIG. 3 is a front view thereof;
FIG. 4 is a rear view thereof;
FIG. 5 is a left side view thereof;
FIG. 6 is a right side view thereof;
FIG. 7 is a top view thereof; and,
FIG. 8 is a bottom view thereof.
All broken line portions of the figures form no part of the claimed design.

1 Claim, 7 Drawing Sheets



(56)

References Cited

U.S. PATENT DOCUMENTS

D712,723	S	9/2014	Seiders	
D714,125	S	9/2014	Seiders	
8,887,515	B2 *	11/2014	Patstone B23P 15/26 62/56
8,910,819	B2	12/2014	Seiders	
D722,474	S	2/2015	Seiders	
D722,475	S	2/2015	Seiders	
9,187,232	B2	11/2015	Seiders	
9,694,521	B2	7/2017	French et al.	
D806,483	S *	1/2018	Stanford D7/605
D816,425	S	5/2018	Stanford et al.	
D851,462	S	6/2019	Stanford	
10,605,515	B2	3/2020	Stanford	
D891,193	S	7/2020	Stanford	
D891,194	S	7/2020	Stanford	
D892,565	S	8/2020	Astle	
D904,129	S	12/2020	Astle	
D930,440	S	9/2021	Astle et al.	
2010/0078441	A1 *	4/2010	Barnett A45C 13/36 220/592.2
2012/0132657	A1 *	5/2012	Seiders B65D 81/3816 220/592.2
2013/0062356	A1 *	3/2013	Deka F25D 3/08 220/592.25
2014/0013789	A1 *	1/2014	Conrad A45C 15/00 62/331
2015/0060470	A1	6/2015	Seiders	
2015/0225164	A1	8/2015	Seiders et al.	
2015/0322698	A1	11/2015	Seiders	

2015/0353263	A1	12/2015	Seiders et al.
2016/0236849	A1	8/2016	Seiders et al.
2016/0257479	A1	9/2016	Seiders et al.

OTHER PUBLICATIONS

Notice of Allowance from U.S. Appl. No. 29/585,896 dated Oct. 18, 2017.

U.S. Appl. No. 29/585,896, filed Nov. 29, 2016, Stanford et al.

U.S. Appl. No. 29/602,023, filed Apr. 27, 2017, Stanford et al.

Notice of Allowance from U.S. Appl. No. 29/602,023, dated Mar. 29, 2018.

U.S. Appl. No. 15/885,657, filed Jan. 31, 2018, Stanford et al.

U.S. Appl. No. 29/644,909, filed Apr. 20, 2018, Stanford et al.

U.S. Appl. No. 29/644,911, filed Apr. 20, 2018, Stanford et al.

U.S. Appl. No. 29/644,448, filed Apr. 17, 2018, Stanford et al.

U.S. Appl. No. 29/677,028, filed Jan. 16, 2019, Astle et al.

U.S. Appl. No. 29/677,025, filed Jan. 16, 2019, Astle et al.

U.S. Appl. No. 29/688,014, filed Apr. 17, 2019, Astle et al.

U.S. Appl. No. 29/652,414, Restriction Requirement dated Feb. 2, 2021.

U.S. Appl. No. 29/744,333, Restriction Requirement dated Feb. 2, 2021.

U.S. Appl. No. 29/744,331, Restriction Requirement dated Feb. 2, 2021.

U.S. Appl. No. 29/800,630, filed Jul. 22, 2021.

U.S. Appl. No. 29/744,331, filed Jul. 28, 2020.

U.S. Appl. No. 29/744,333, filed Jul. 28, 2020.

U.S. Appl. No. 29/677,028, filed Jan. 16, 2019.

U.S. Appl. No. 29/677,025, filed Jan. 16, 2019.

U.S. Appl. No. 29/688,014, filed Apr. 17, 2019.

U.S. Appl. No. 29/730,693, filed Apr. 7, 2020.

* cited by examiner

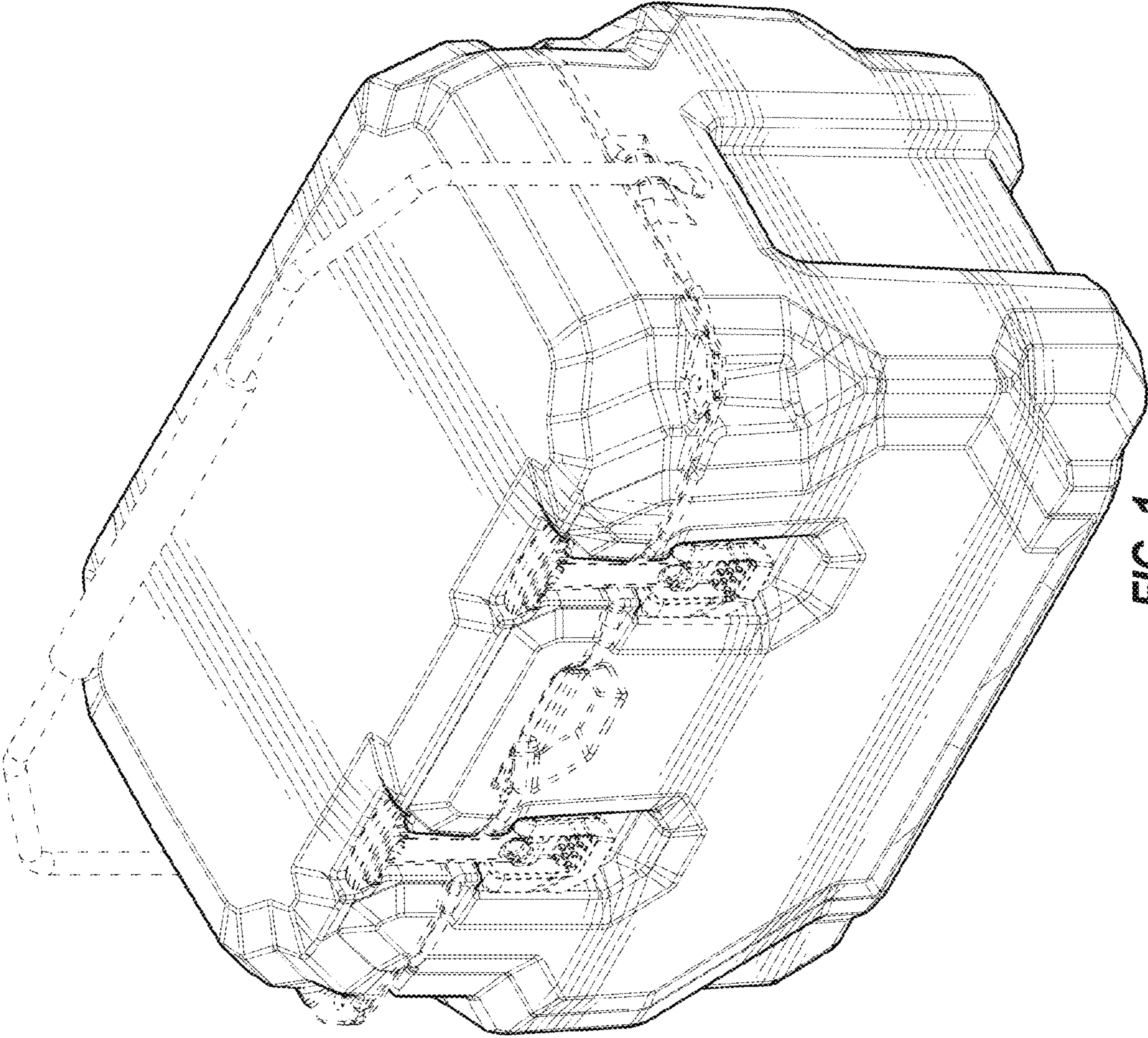


FIG. 1

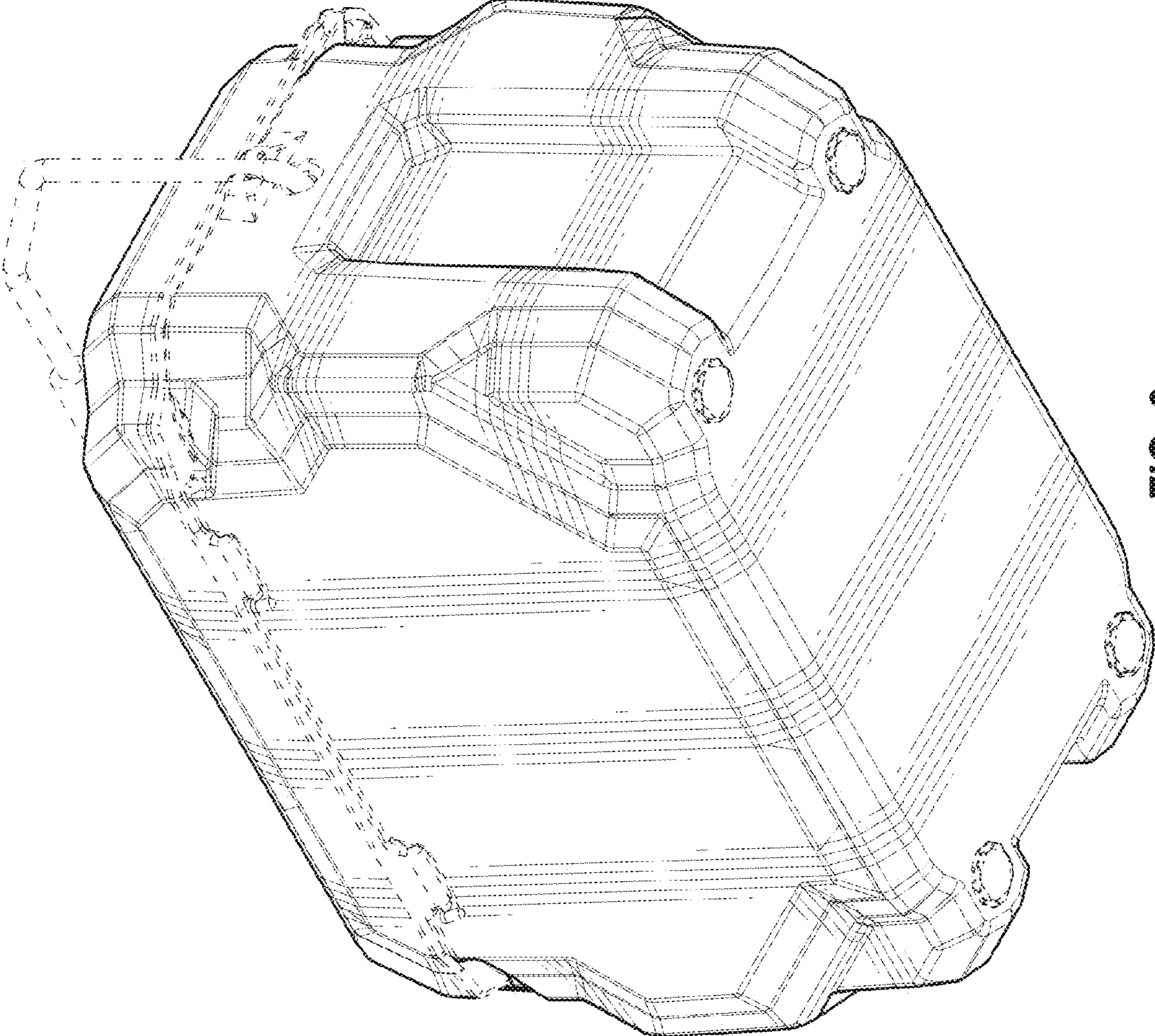


FIG. 2

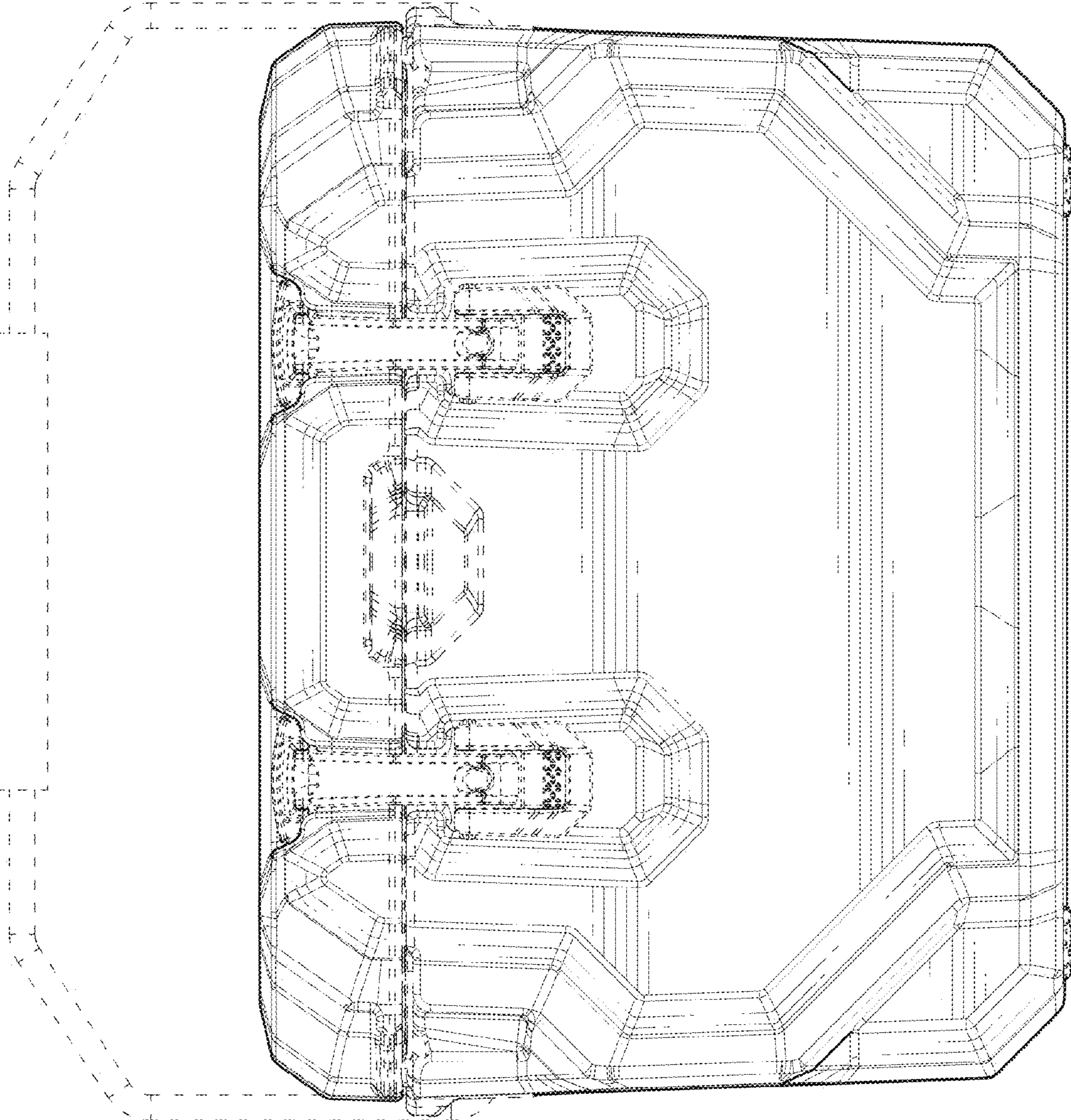


FIG. 3

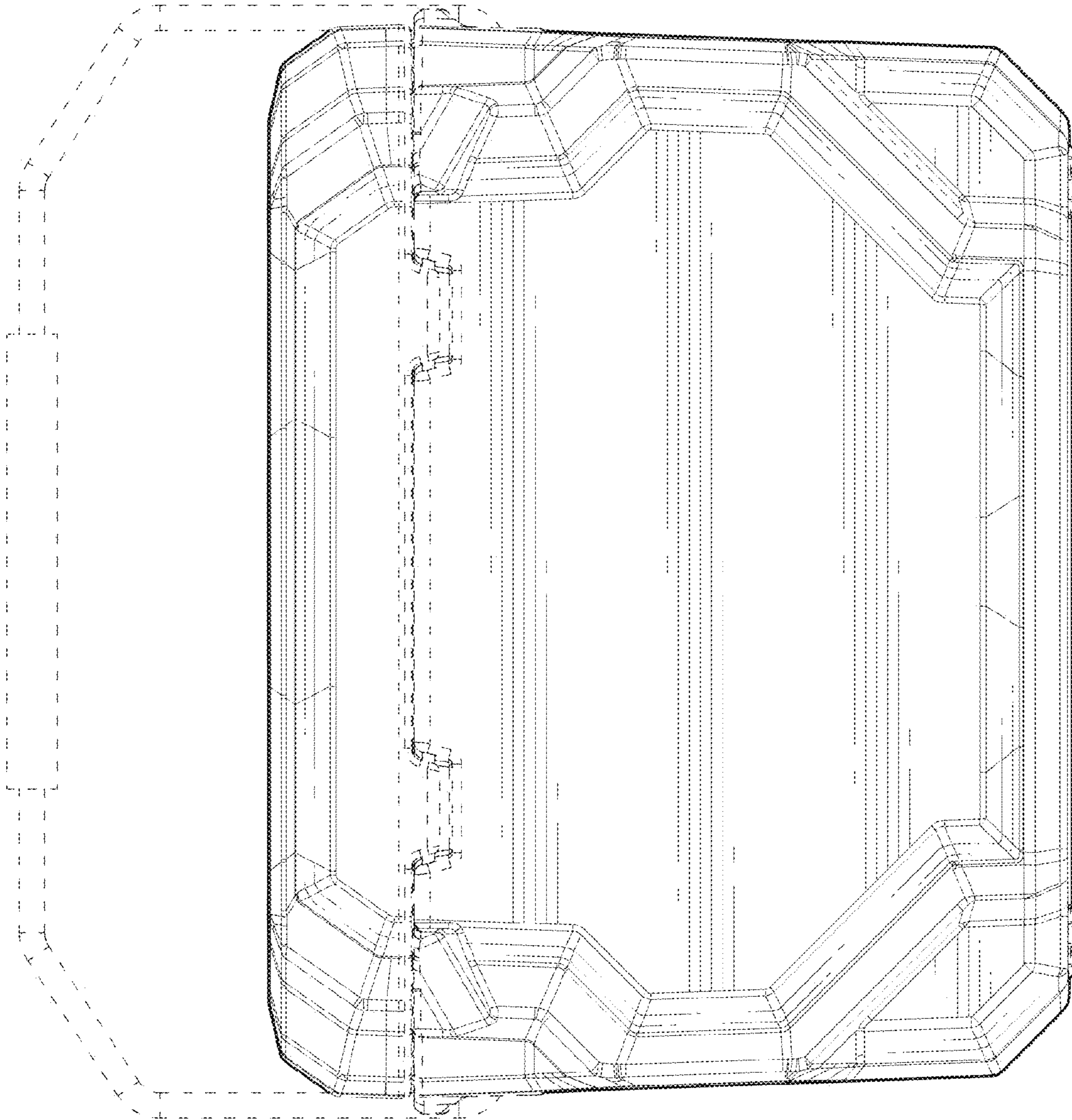


FIG. 4

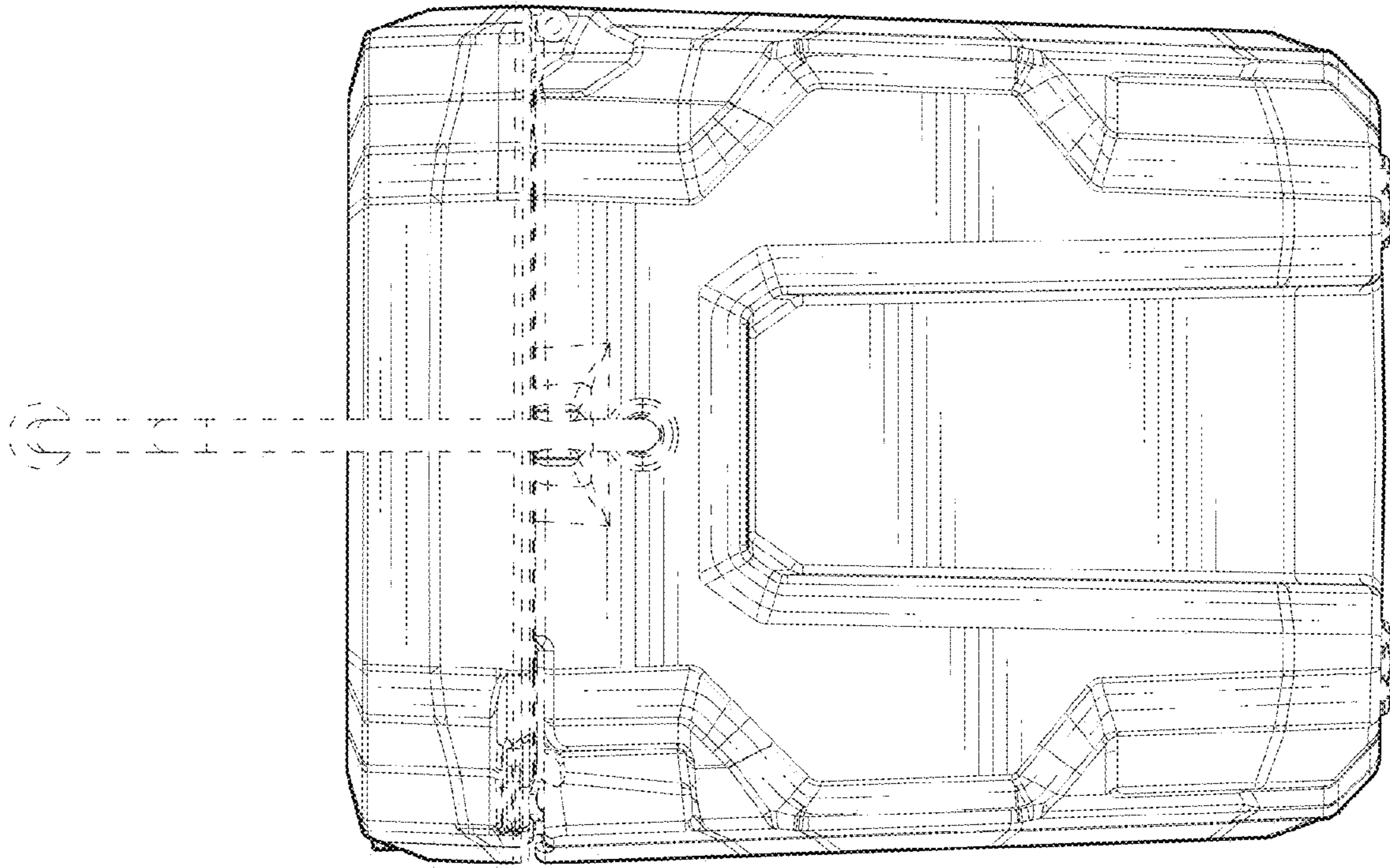


FIG. 6

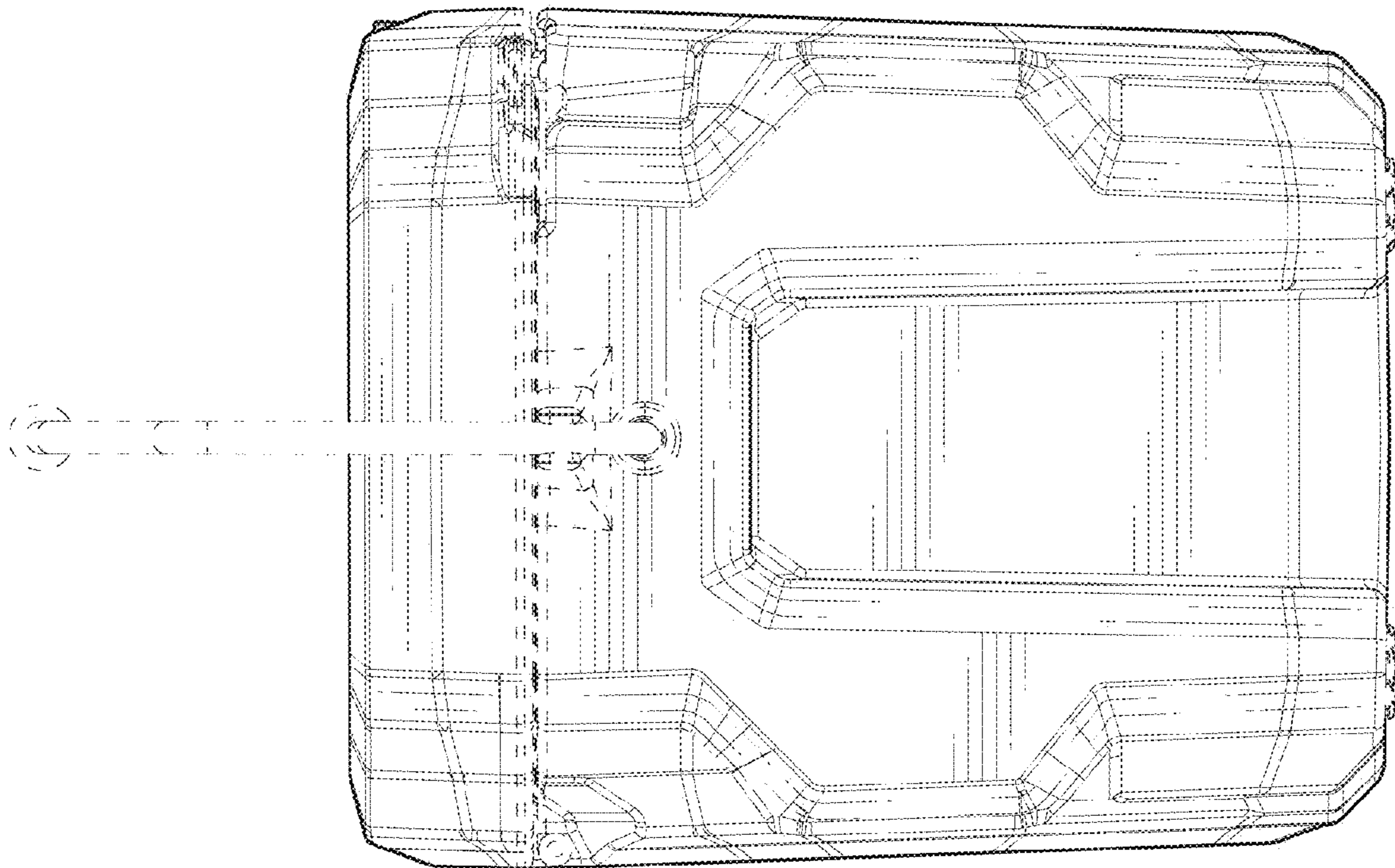


FIG. 5

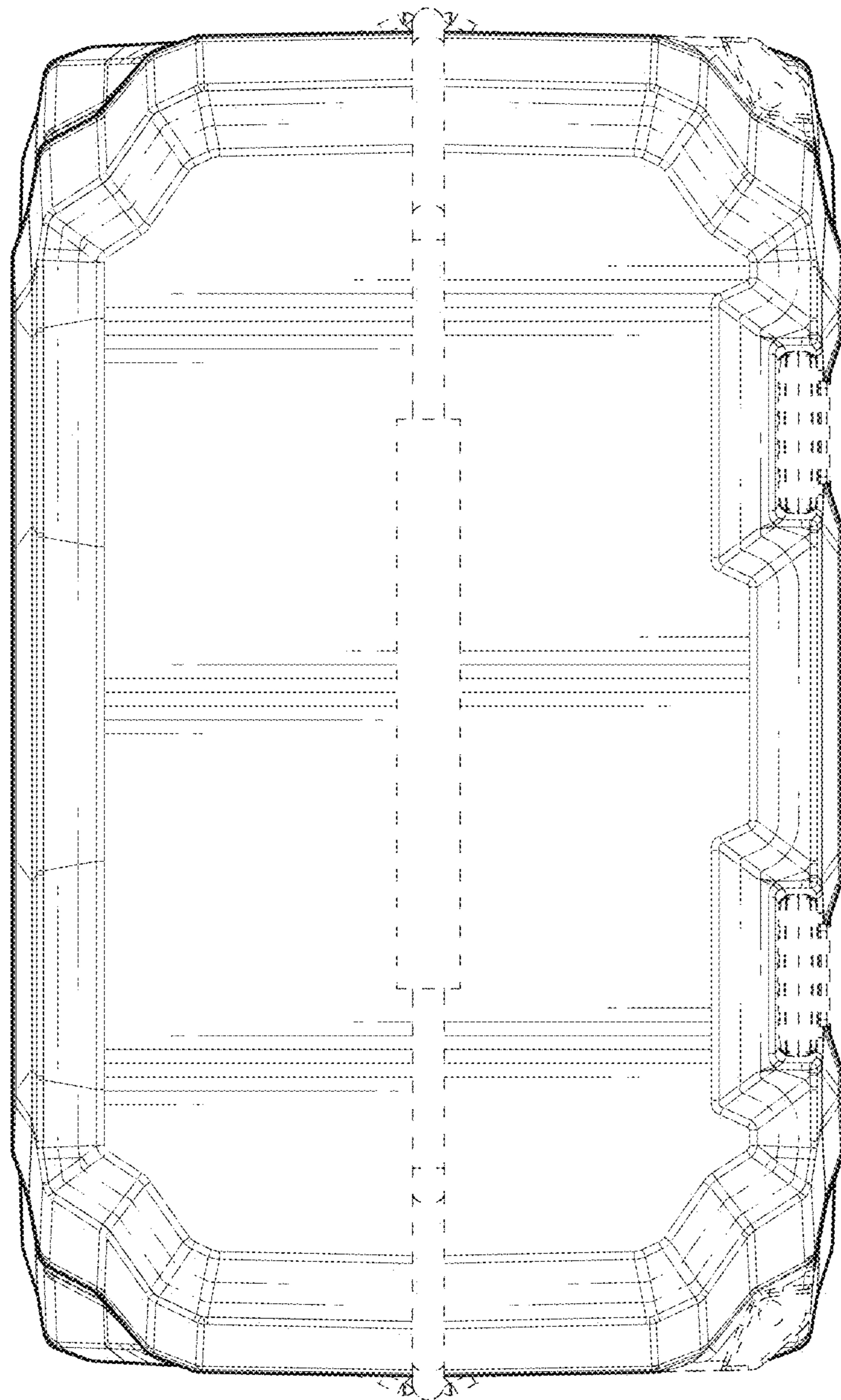


FIG. 7

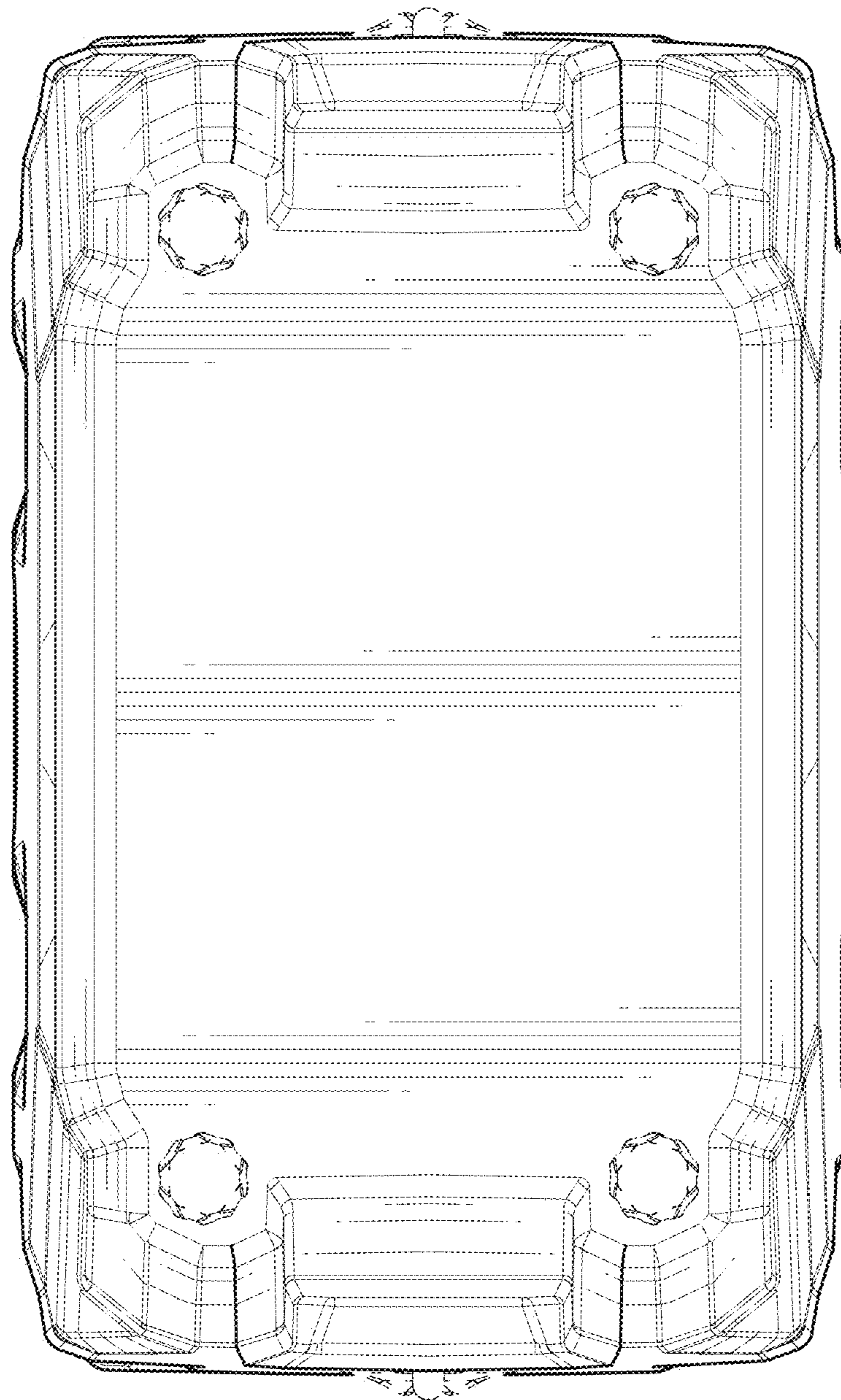


FIG. 8