



US00D942216S

(12) **United States Design Patent**  
**Lin et al.**

(10) **Patent No.: US D942,216 S**

(45) **Date of Patent: \*\* Feb. 1, 2022**

(54) **DRINKING CUP**

(71) Applicant: **Olababy Incorporated**, Hillsboro, OR  
(US)

(72) Inventors: **Qiao Lin**, Bellevue, WA (US); **Paul Wang**, Portland, OR (US)

(73) Assignee: **OLABABY INCORPORATED**,  
Beaverton, OR (US)

(\*\*) Term: **15 Years**

(21) Appl. No.: **29/724,501**

(22) Filed: **Feb. 14, 2020**

(51) **LOC (13) Cl.** ..... **07-01**

(52) **U.S. Cl.**  
USPC ..... **D7/523**; D7/509

(58) **Field of Classification Search**  
USPC ..... D7/507, 509, 510, 511, 529, 531, 532,  
D7/523, 533, 534, 535, 536, 392.1, 396.1,  
D7/396.2, 300.1, 608; D3/202; D9/500,  
D9/531, 516, 517, 549  
CPC ..... A47G 19/22; A47G 19/2288; A47G  
19/2205; A47G 19/2211; A47G 19/2216;  
A47J 41/0077; A47J 41/0088; A47J  
43/27; B65D 1/265

See application file for complete search history.

(56) **References Cited**

**U.S. PATENT DOCUMENTS**

2,060,463 A \* 11/1936 Gessler ..... A63F 9/0406  
273/145 A  
2,534,614 A \* 12/1950 Michael ..... A47G 19/2272  
220/713  
D164,572 S \* 9/1951 Happe ..... A63F 9/0406  
D7/624.1  
2,589,967 A \* 3/1952 Sawyer ..... A47G 19/2261  
215/376  
2,628,840 A \* 2/1953 Laube, Jr. .... A63F 9/0406  
273/145 A

D248,075 S \* 6/1978 Daenen ..... D7/523  
D351,970 S \* 11/1994 Barrio ..... D7/619.1  
D457,782 S \* 5/2002 Snell ..... D7/396.2  
D538,992 S \* 3/2007 Snell ..... D19/85

(Continued)

**FOREIGN PATENT DOCUMENTS**

CN 306312576 \* 2/2021  
EM 005135399-0001 \* 4/2018  
KR 300801463.0000 \* 6/2015

**OTHER PUBLICATIONS**

Silver beaker (cup). France [online] URL: <https://www.ebay.com/itm/373116655722?> (site visited: Aug. 2021) (Year: 1940).\*

(Continued)

*Primary Examiner* — Jae Liang

*Assistant Examiner* — Tia Ruth-Renee Polidori

(74) *Attorney, Agent, or Firm* — Millburn IP PLLC

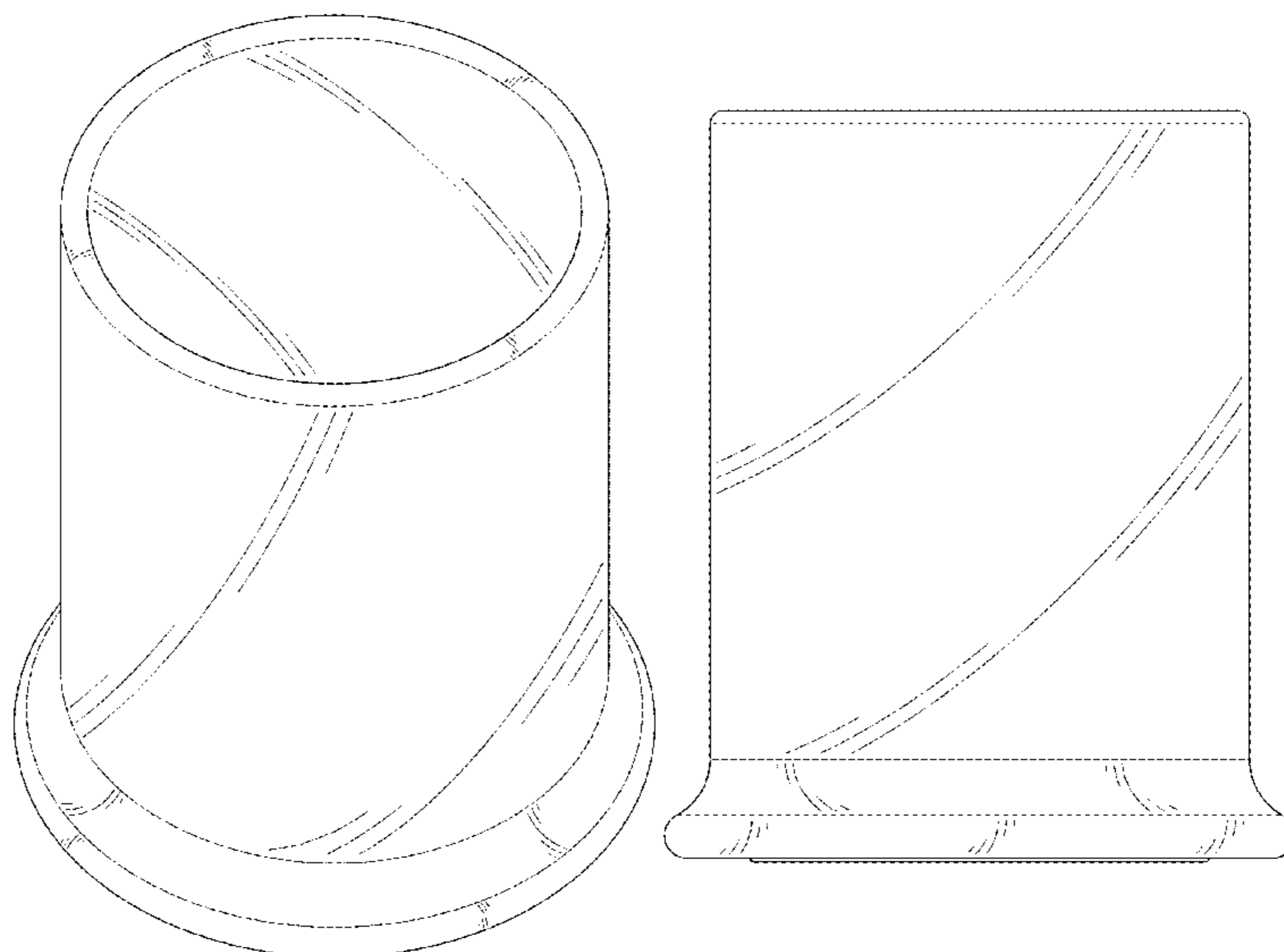
(57) **CLAIM**

The ornamental design for a drinking cup, as shown and described.

**DESCRIPTION**

FIG. 1 is a top perspective view of a drinking cup, showing our new design;  
FIG. 2 is a side elevational view of the drinking cup of FIG. 1; other side elevational views are the same;  
FIG. 3 is a top plan view of the drinking cup of FIG. 1;  
FIG. 4 is a bottom plan view of the drinking cup of FIG. 1;  
FIG. 5 is a bottom perspective view of the drinking cup of FIG. 1; and,  
FIG. 6 is a cross-sectional view of the drinking cup along the 6-6 line shown in FIG. 3.  
The broken lines depict cross-sectional view indicia, and form no part of the claimed design.

**1 Claim, 5 Drawing Sheets**



(56)

**References Cited**

U.S. PATENT DOCUMENTS

D542,437 S \* 5/2007 Snow ..... G01F 19/00  
 D26/22  
 D643,172 S \* 8/2011 Kraemer ..... D34/1  
 D652,257 S \* 1/2012 Kraemer ..... D7/523  
 D701,426 S \* 3/2014 Cornish ..... A47G 19/2261  
 D7/523  
 D853,824 S \* 7/2019 Kravchenko ..... D8/354  
 11,092,473 B1 \* 8/2021 Lin ..... G01F 19/00  
 2021/0255017 A1 \* 8/2021 Lin ..... A47G 19/22

OTHER PUBLICATIONS

American Metalcraft JC11 11 oz [online] URL: <https://www.webstaurantstore.com/american-metalcraft-jc11-11-oz-mint-julep-cup/124JC11.html?> (site visited: Aug. 2021) (Year: 2017).\*

OlaBaby [online] URL: [facebook.com/olababyusa](https://www.facebook.com/olababyusa) (site visited: Aug. 2021) (Year: 2020).\*

Olababy 100% Silicone Train., [online] URL: <https://www.amazon.com/Olababy-Silicone-Training-Straw-Toddler/dp/B08X8MT6JH/> (site visited: Aug. 2021) (Year: 2020).\*

Silicone Toddler Cup [online] URL: [https://www.amazon.com/Silicone-Toddler-Little-Durable-12months/dp/B08T1S6BDY/ref=asc\\_df\\_B08T1S6BDY/?tag=hyprod-20&linkCode=df0&hvadid=508092235415&hvpos=&hvnetw=g&hvrand=14173993260345212368&hvpone=&hvptwo=&hvqmt=&hvdev](https://www.amazon.com/Silicone-Toddler-Little-Durable-12months/dp/B08T1S6BDY/ref=asc_df_B08T1S6BDY/?tag=hyprod-20&linkCode=df0&hvadid=508092235415&hvpos=&hvnetw=g&hvrand=14173993260345212368&hvpone=&hvptwo=&hvqmt=&hvdev) (site visited: Aug. 2021) (Year: 2021).\*

Stainless Steel Cups 400ml Pint Drinkin . . . Cup for Kids and Adults—Walmart [online] URL: <https://www.walmart.com/ip/Stainless-Steel-Cups-400ml-Pint-Drinking-Cups-Metal-Drinking-Glass-Single-Wall-Water-Cup-for-Kids-and-Adults/818617994> (site visited: Aug. 2021) (Year: 2021).\*

Beaba cup design available at URL: <https://detail.vip.com/detail-614251-81408004.html>, retrieved online on May 7, 2020.

Beaba Softlines 7-piece dinner set (plate bowl cup spoon fork bib and lid) design available at URL: <https://www.worthpoint.com/worthopedia/beaba-softlines-piece-dinner-set-1738574243>, retrieved online on May 7, 2020.

\* cited by examiner

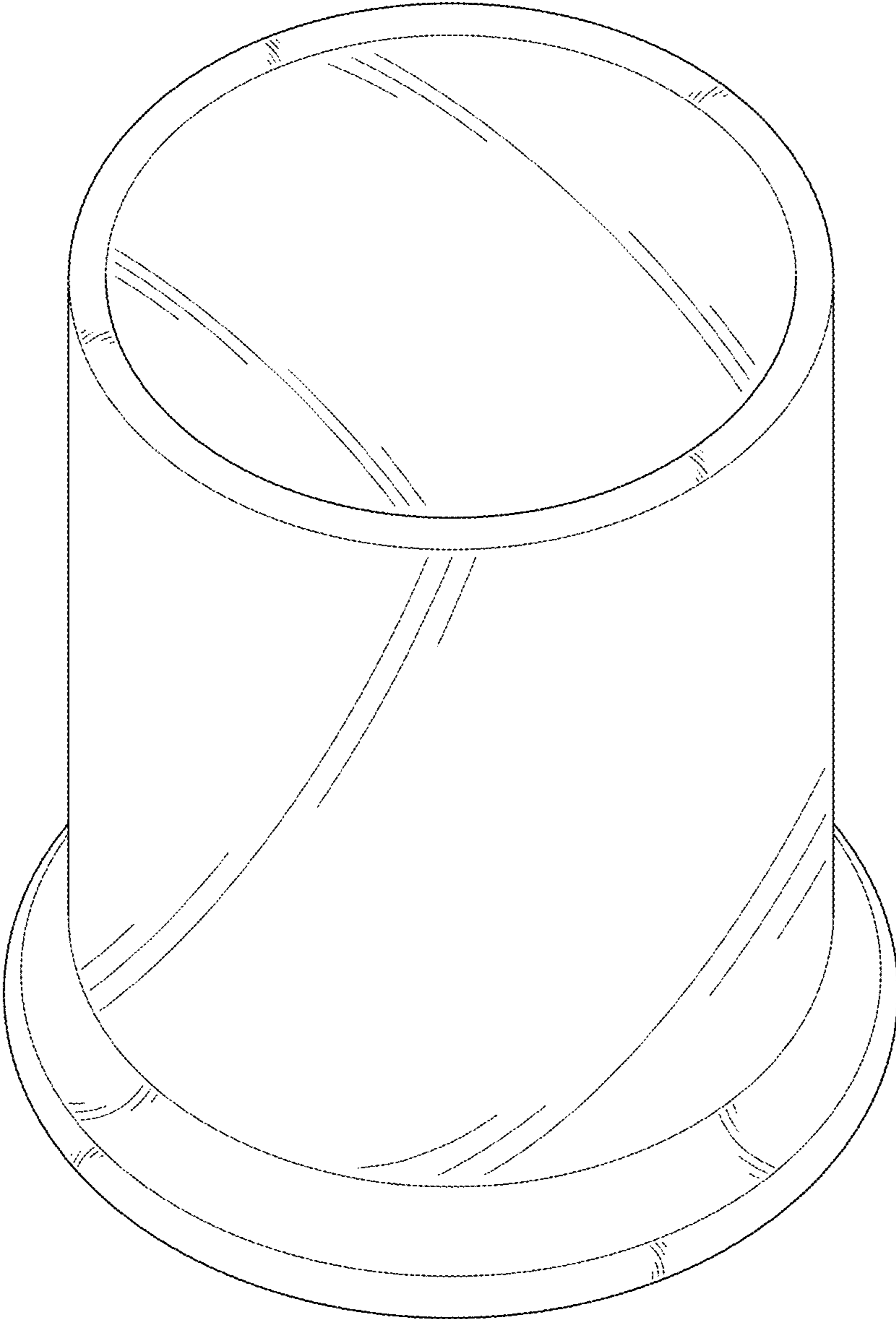


FIG. 1

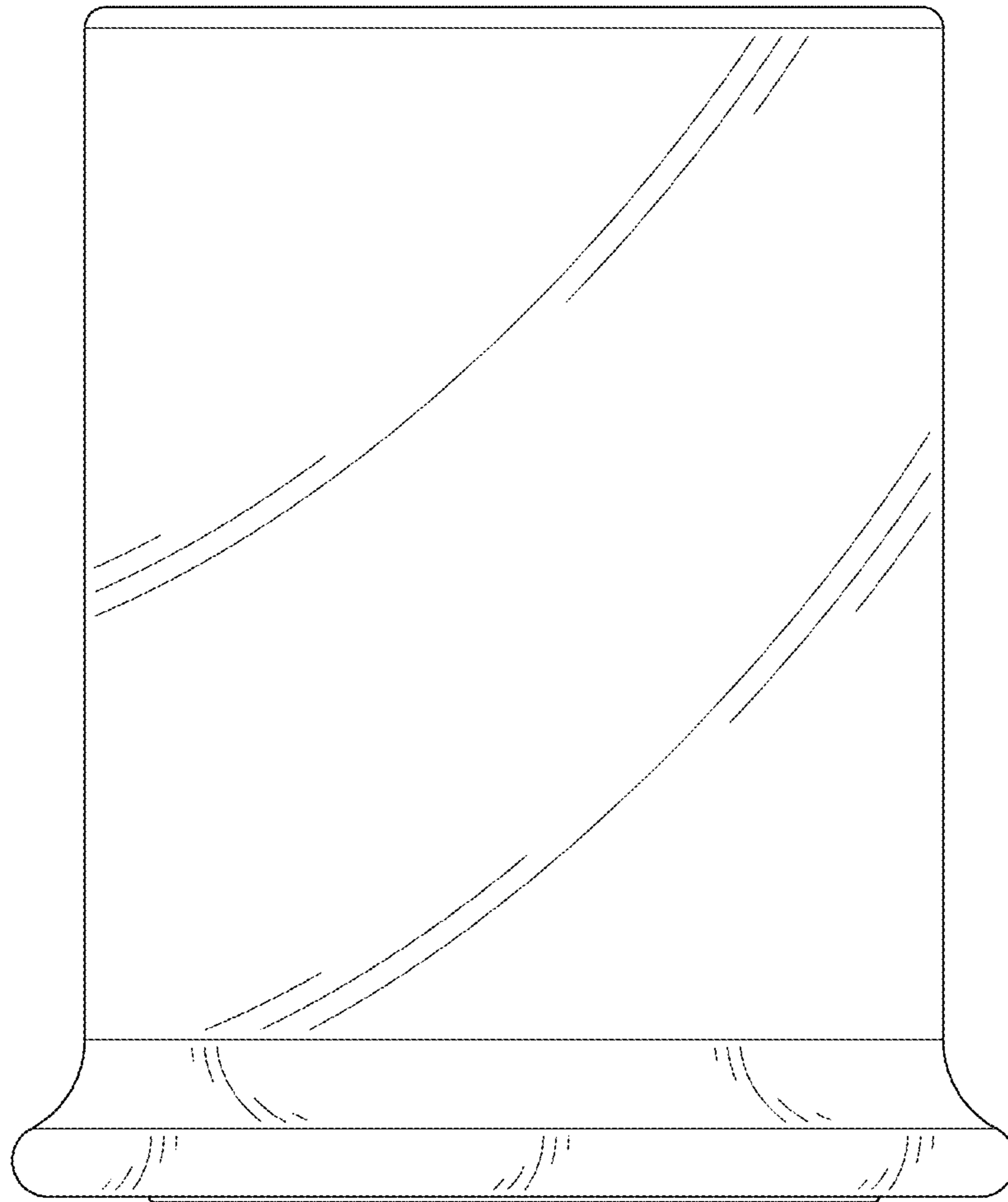


FIG. 2

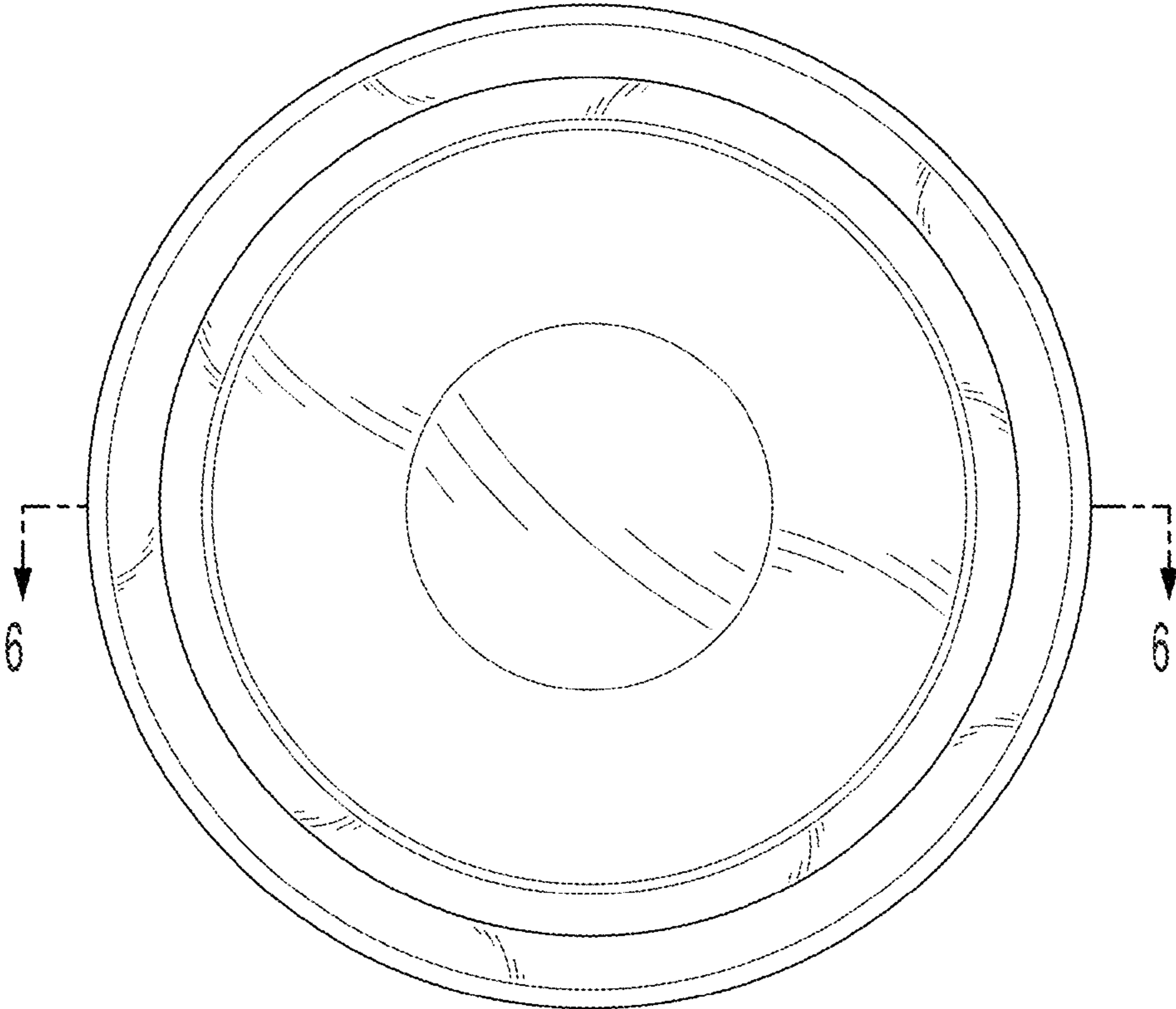


FIG. 3

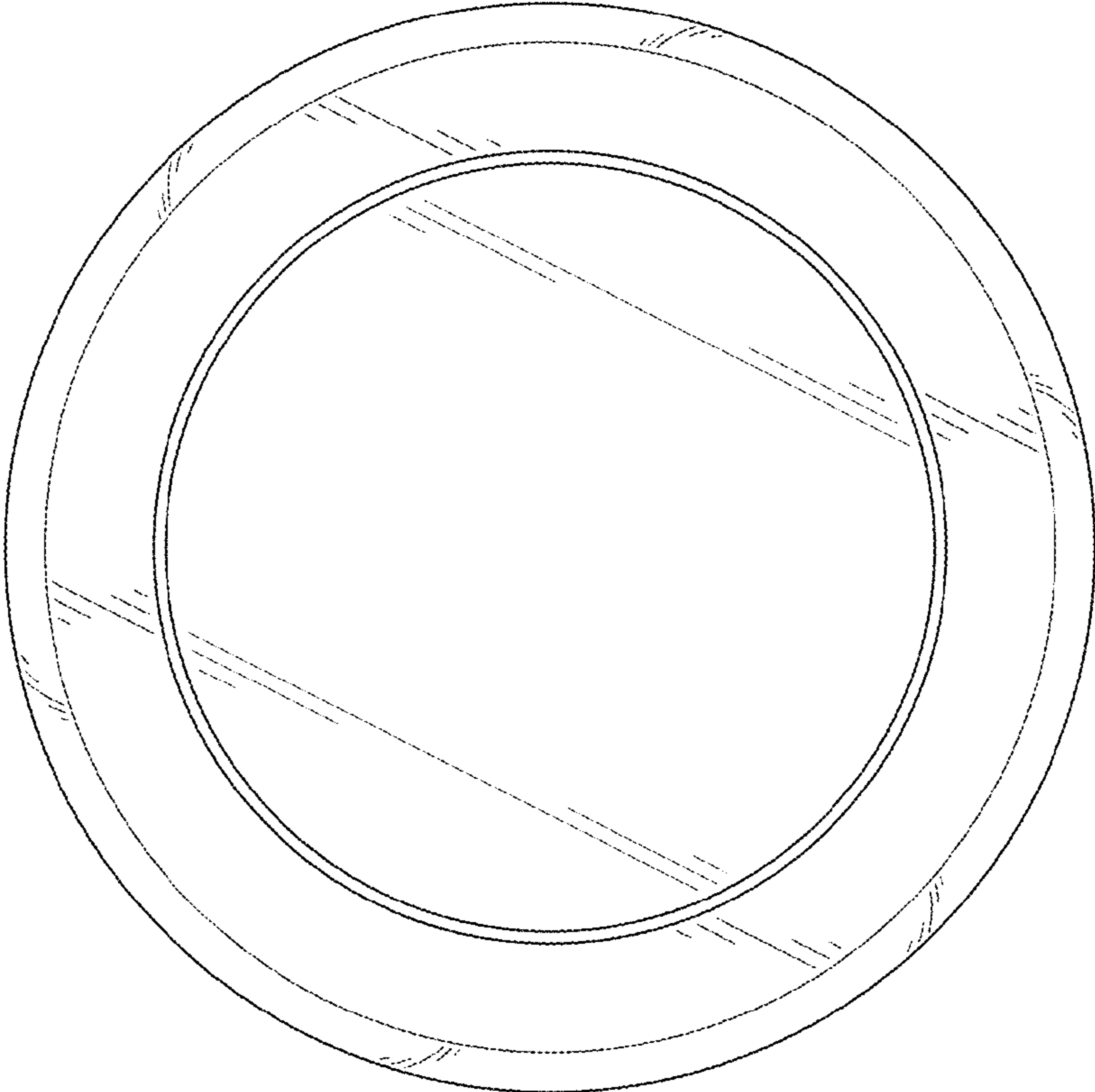


FIG. 4

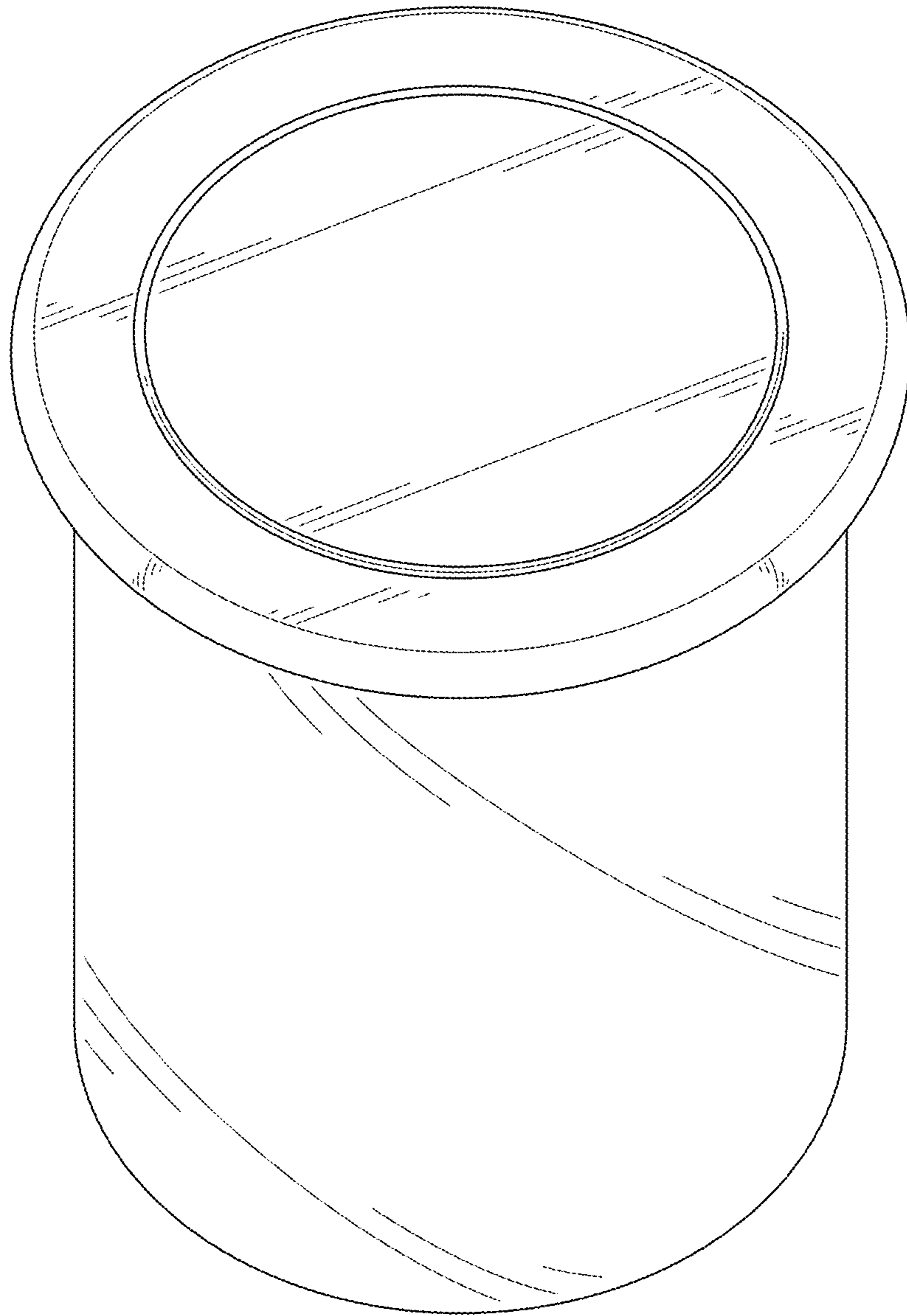


FIG. 5

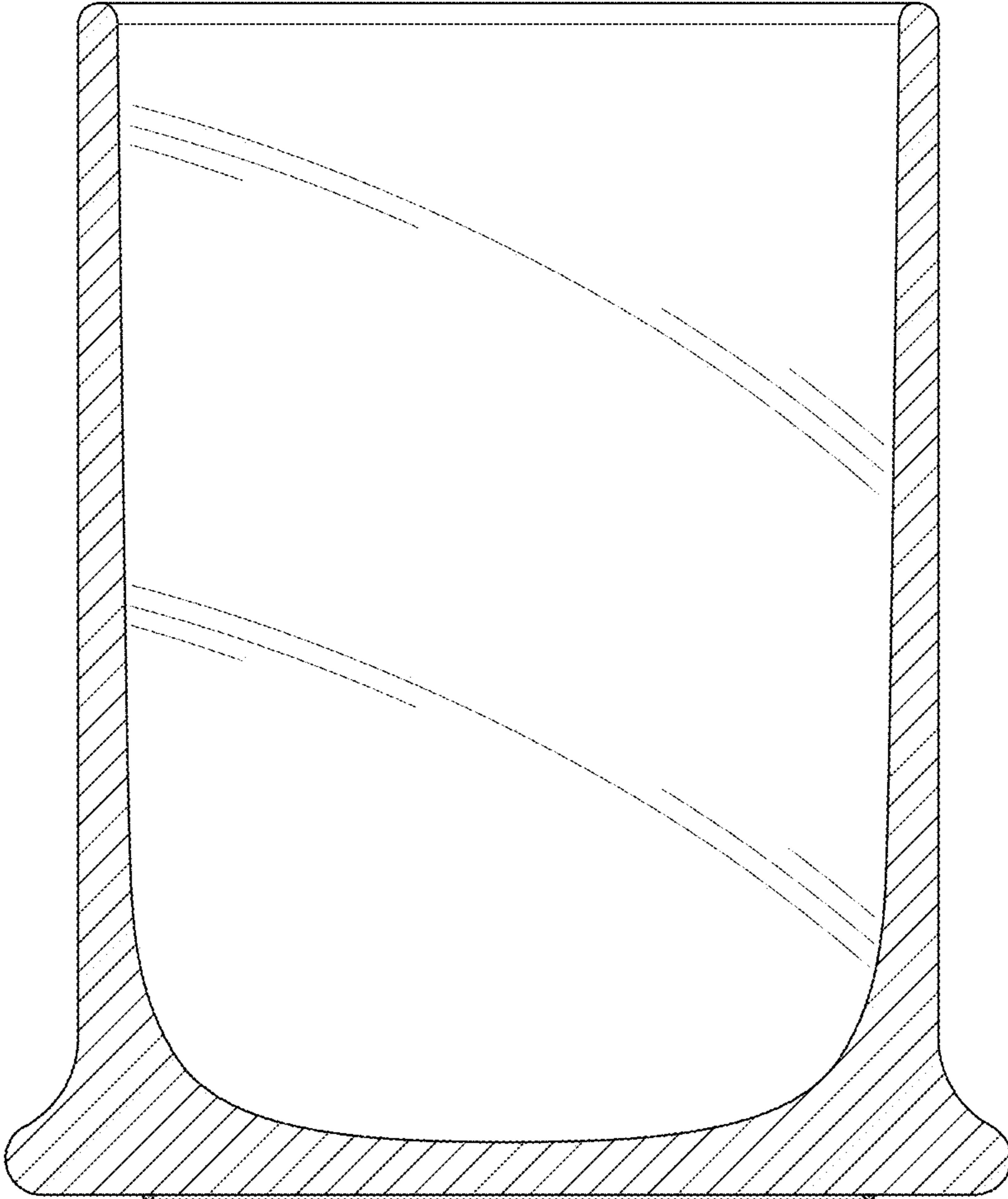


FIG. 6