

US00D942214S

(12) **United States Design Patent** (10) **Patent No.:** **US D942,214 S**
Hamel et al. (45) **Date of Patent:** **** Feb. 1, 2022**

- (54) **MOUNTABLE TRAY**
- (71) Applicant: **Weber-Stephen Products LLC**,
Palatine, IL (US)
- (72) Inventors: **Qian Hamel**, Palatine, IL (US); **Aman Sharma**, Round Lake, IL (US);
Romualdo Sonny Siazon, Woodstock, IL (US)
- (73) Assignee: **WEBER-STEPHEN PRODUCTS LLC**, Palatine, IL (US)
- (**) Term: **15 Years**
- (21) Appl. No.: **29/733,234**
- (22) Filed: **Apr. 30, 2020**
- (51) **LOC (13) Cl.** **07-02**
- (52) **U.S. Cl.**
USPC **D7/406**
- (58) **Field of Classification Search**
USPC D7/332-337, 402-409; D34/21, 12, 17,
D34/27; D24/227, 229, 230; D6/553,
D6/574, 513, 406.2; D12/400
CPC A47J 37/07-0763; A47J 37/0781; A47J
37/0786; A47J 37/079; A47J 2037/0777;
A47J 2037/0795; F24C 1/16; F24C 3/14;
F24B 1/205
See application file for complete search history.

- D272,505 S * 2/1984 Daenen D7/359
- 4,665,888 A 5/1987 Christen, Jr. et al.
- D314,485 S * 2/1991 Chap D6/540
- D332,367 S * 1/1993 McKeone D6/540
- 5,221,006 A 6/1993 Plumlee et al.
- D341,971 S * 12/1993 Corbin D6/536
- 5,560,576 A 10/1996 Cargill
- D432,836 S * 10/2000 Gastelum D6/540
- D433,858 S * 11/2000 Gastelum D6/540
- D446,719 S * 8/2001 Garraway D9/425
- 6,350,089 B1 2/2002 Tekavec

(Continued)

OTHER PUBLICATIONS

Weber, "Charcoal Grill Replacement Parts—iGrill Bracket," dated 2020, 4 pages.

(Continued)

Primary Examiner — Nathan M Johnston

(74) *Attorney, Agent, or Firm* — Hanley, Flight & Zimmerman, LLC

(57)

CLAIM

The ornamental design for a "mountable tray," as shown and described in FIGS. 1-7.

DESCRIPTION

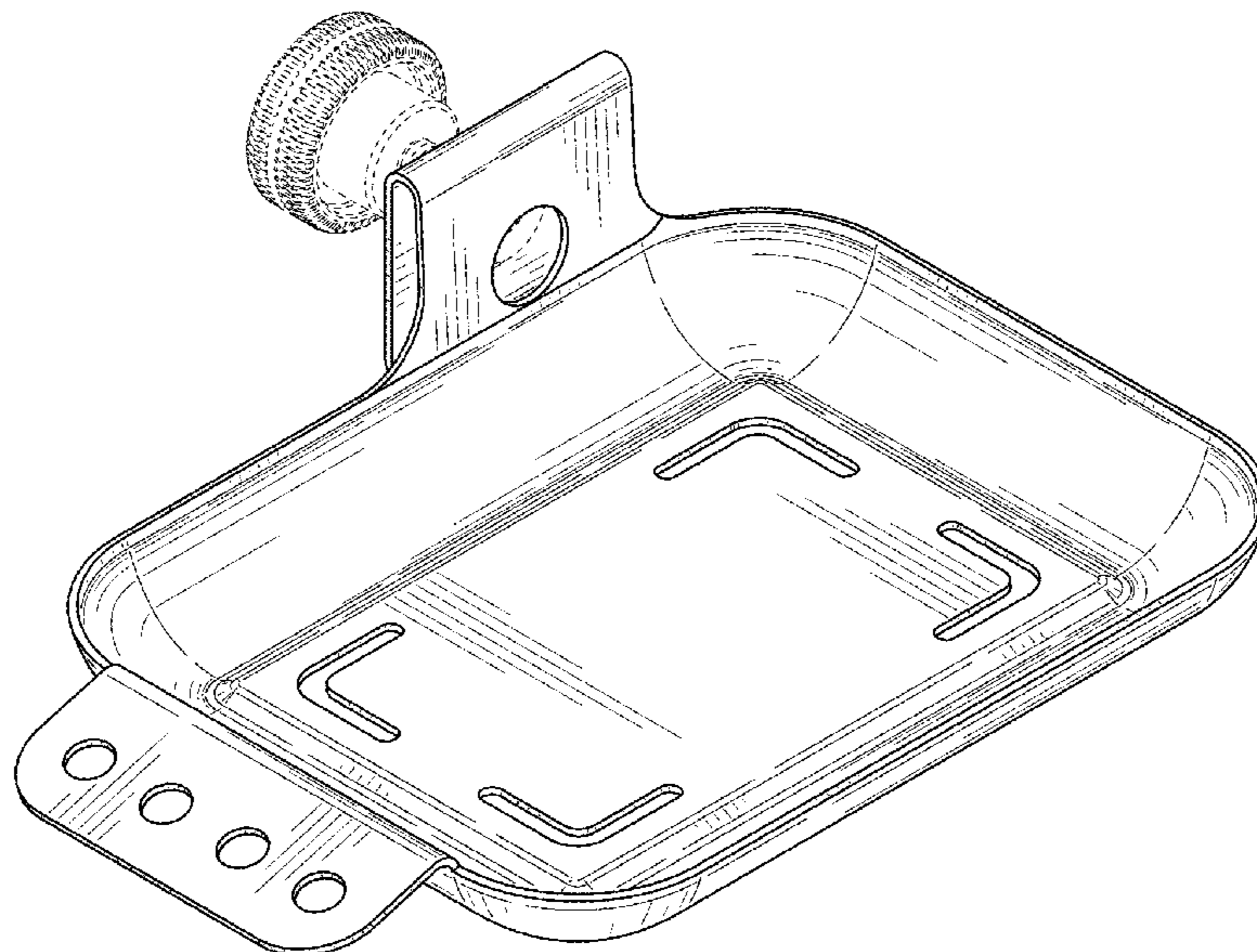
FIG. 1 is a perspective view of a mountable tray.
 FIG. 2 is a front view of the mountable tray of FIG. 1.
 FIG. 3 is a rear view of the mountable tray of FIG. 1.
 FIG. 4 is a right side view of the mountable tray of FIG. 1.
 FIG. 5 is a left side view of the mountable tray of FIG. 1.
 FIG. 6 is a top view of the mountable tray of FIG. 1; and,
 FIG. 7 is a bottom view of the mountable tray of FIG. 1.
 The features shown in broken lines form no part of the claimed design.
 The lighter solid lines denote surfaces and contours. Line shading is not surface ornamentation.

1 Claim, 5 Drawing Sheets

(56) **References Cited**

U.S. PATENT DOCUMENTS

- D158,138 S * 4/1950 Simpson D6/540
- 2,529,285 A 11/1950 Felton
- 3,187,923 A 6/1965 Christensen
- 3,260,486 A 7/1966 Groff
- D250,443 S * 12/1978 Romanoff D7/359
- D256,861 S * 9/1980 Ryan D6/540
- 4,331,123 A 5/1982 Alles et al.
- 4,337,751 A 7/1982 Sampson et al.



(56)

References Cited

U.S. PATENT DOCUMENTS

D484,697 S * 1/2004 McCoy D3/304
 D493,256 S * 7/2004 Kim D24/230
 D496,816 S * 10/2004 Hoernig D6/540
 6,808,147 B2 10/2004 Brannen et al.
 D543,403 S * 5/2007 Tau D6/540
 7,252,274 B1 8/2007 Brannen
 7,431,251 B2 10/2008 Carnevali
 D638,137 S * 5/2011 Gross D24/227
 D655,575 S * 3/2012 Ruzika D7/543
 8,333,285 B2 12/2012 Kiehnau et al.
 D682,682 S * 5/2013 Biery D9/432
 D727,657 S * 4/2015 Lim D6/553
 D727,791 S * 4/2015 Montagano D11/155
 D733,772 S * 7/2015 Kim D15/89
 D754,533 S * 4/2016 Afford D9/425
 D761,614 S * 7/2016 Zemel D7/360
 D770,232 S * 11/2016 Brown D7/554.3
 9,634,711 B2 4/2017 Sirichai
 9,847,805 B2 12/2017 Sirichai
 D824,692 S * 8/2018 Kwiatkowski D6/536

10,067,004 B1 9/2018 Allen
 10,304,429 B1 5/2019 Broadbelt et al.
 D887,890 S * 6/2020 Liu D11/155
 D891,777 S * 8/2020 Newton D3/304
 2006/0070613 A1 4/2006 Cummings et al.
 2018/0177335 A1 6/2018 Polaczek et al.
 2018/0338351 A1 11/2018 Schmeski
 2018/0372555 A1 12/2018 Allen, Sr.

OTHER PUBLICATIONS

IP Australia, "Certificate of Registration," issued in connection with Australian Patent Application No. 202014602, dated Nov. 9, 2020, 8 pages.

China National Intellectual Property Administration, "Notice of Decision of Grant of Patent," issued in connection with Chinese Patent Application No. 202030530918.3, dated Jan. 28, 2021, 5 pages.

European Union Intellectual Property Office, "Certificate of Registration No. 008160139-0001," issued on Sep. 11, 2020, 4 pages.

* cited by examiner

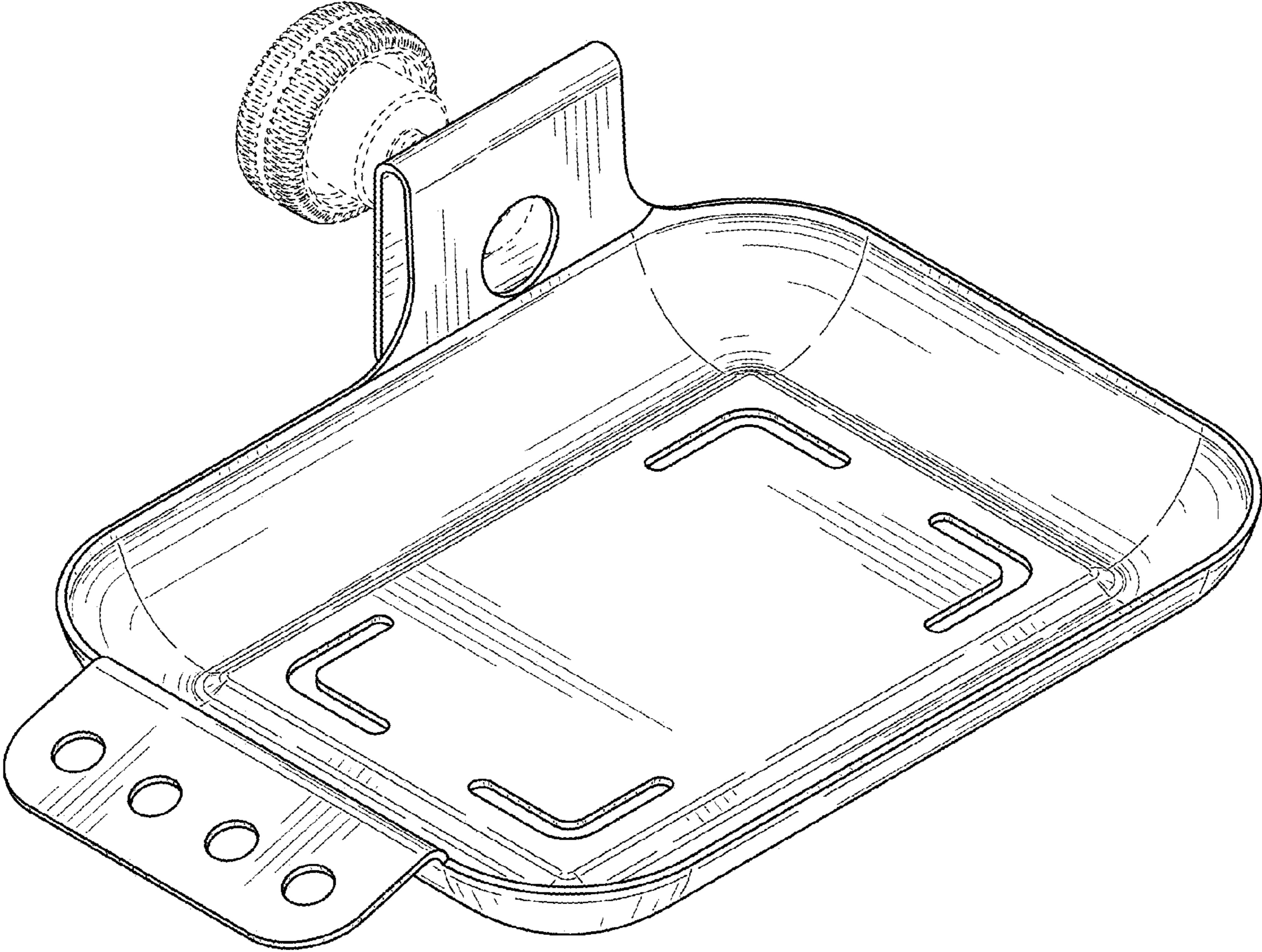


FIG. 1

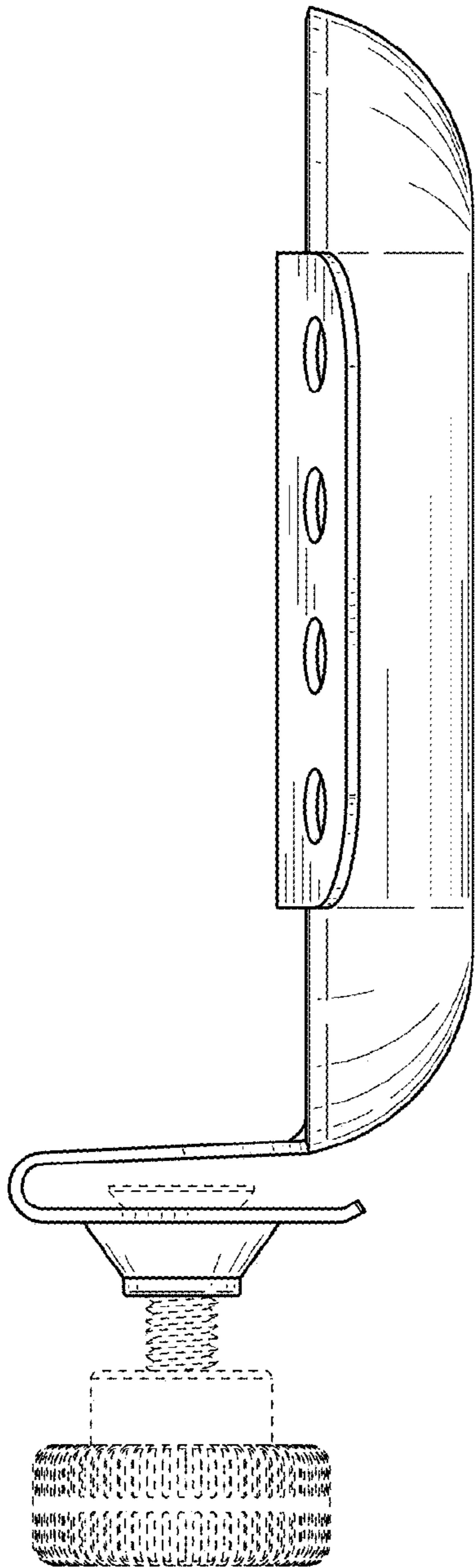


FIG. 2

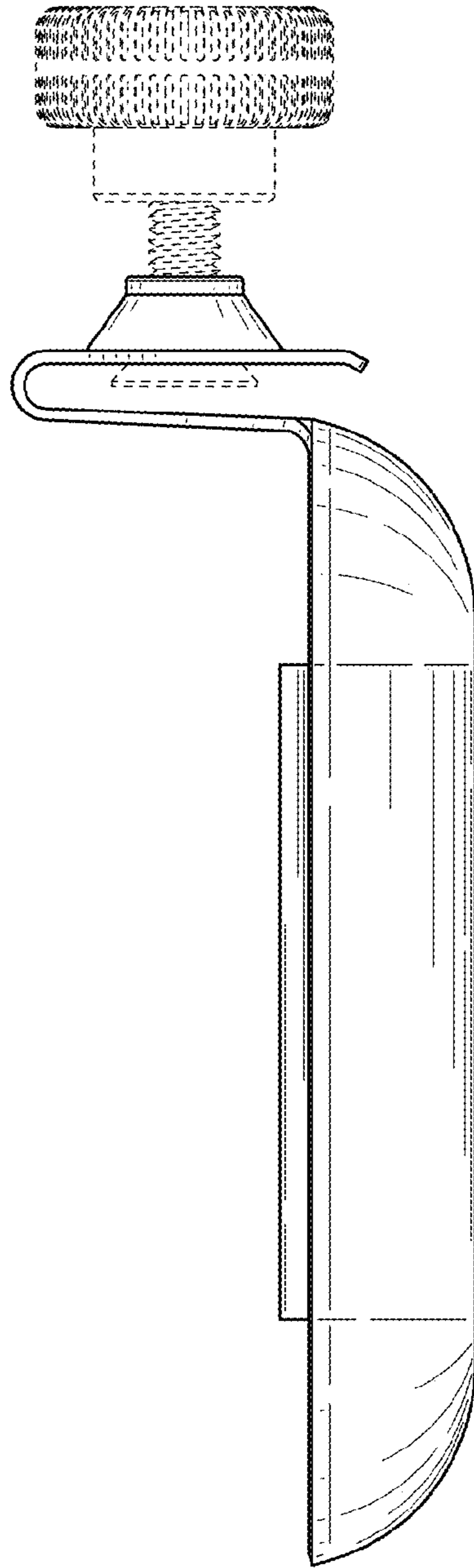


FIG. 3

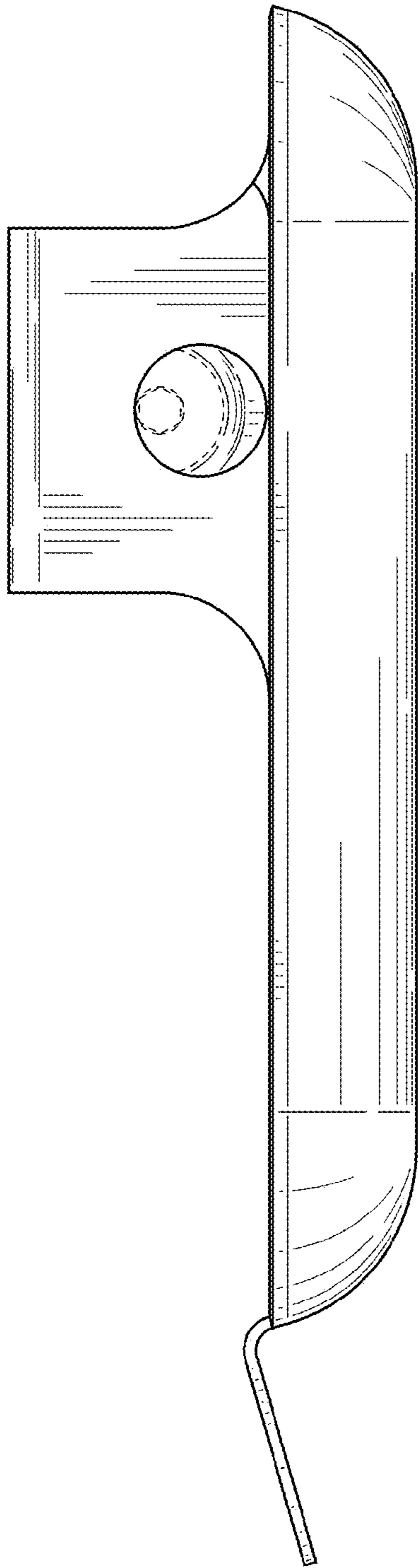


FIG. 4

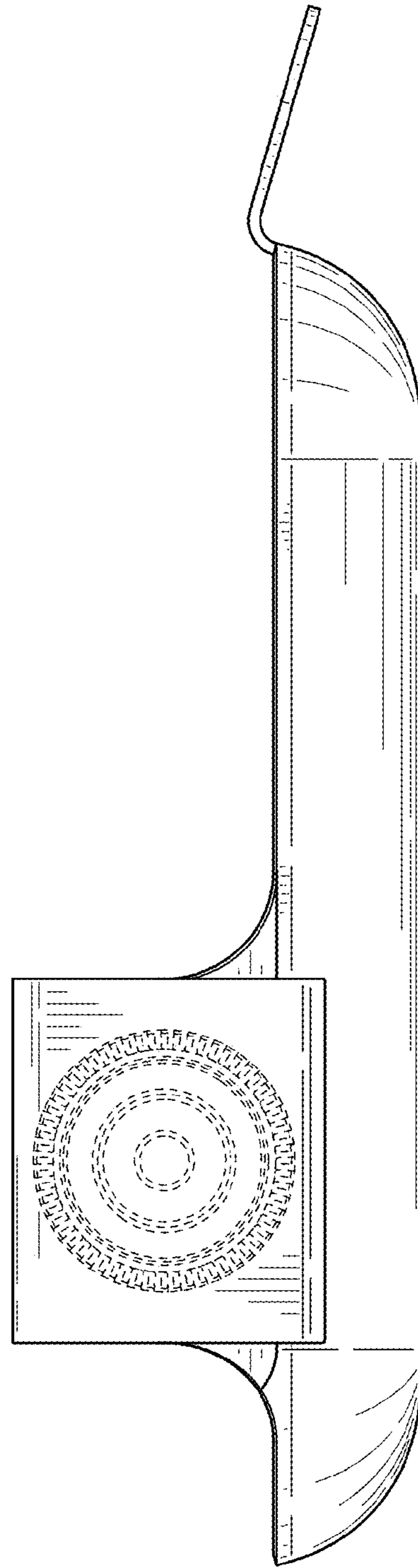


FIG. 5

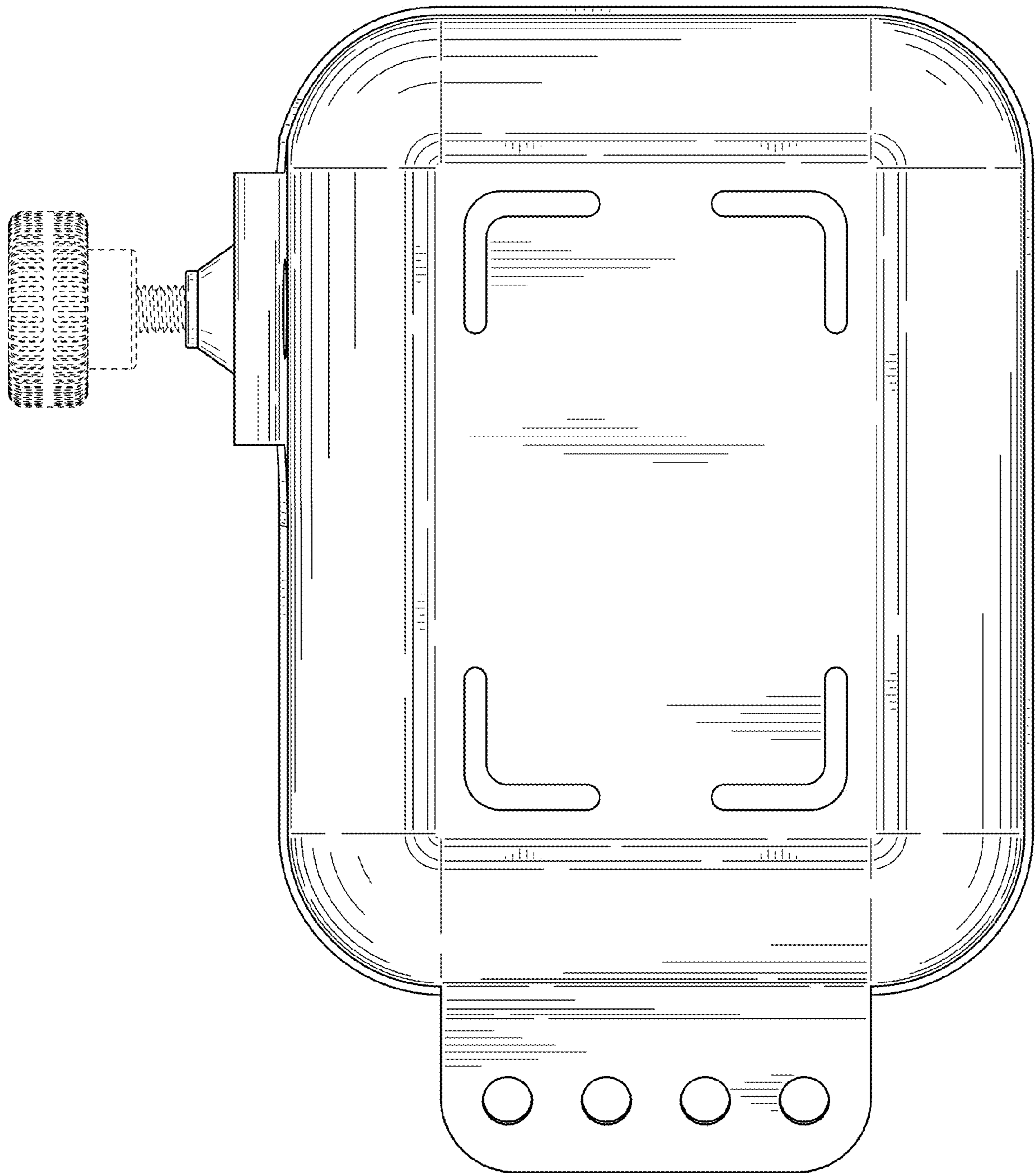


FIG. 6

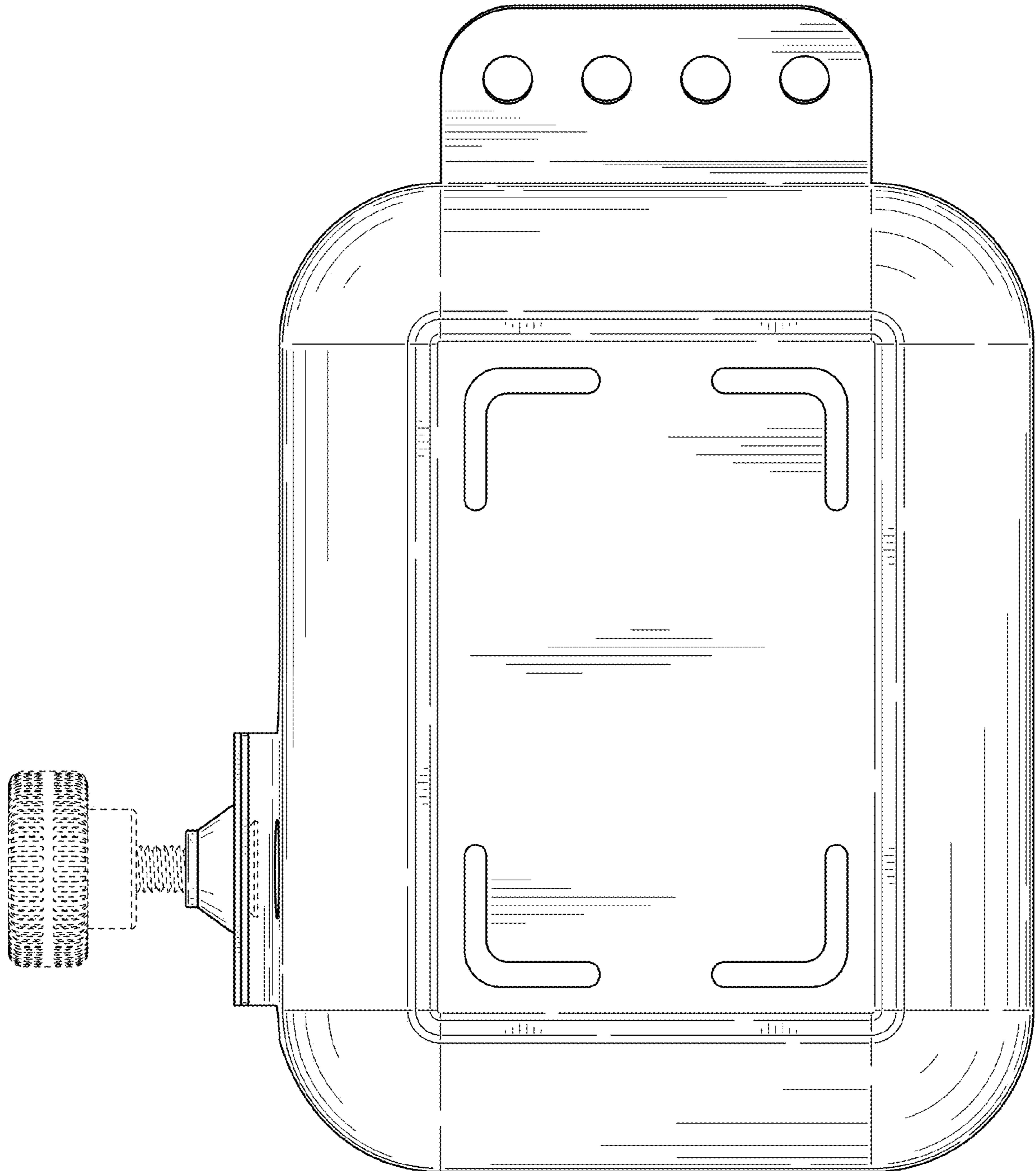


FIG. 7