



US00D942213S

(12) **United States Design Patent** (10) **Patent No.:** **US D942,213 S**  
**Lim et al.** (45) **Date of Patent:** **\*\* Feb. 1, 2022**

(54) **DISPENSER**

(71) Applicant: **PepsiCo, Inc.**, Purchase, NY (US)  
(72) Inventors: **Stephen Lim**, Chappaqua, NY (US);  
**Christian Stolarz**, Brooklyn, NY (US);  
**Martin Ivar Franzen**, Milan (IT)  
(73) Assignee: **PepsiCo Inc.**, Purchase, NY (US)  
(\*\*) Term: **15 Years**  
(21) Appl. No.: **29/709,226**

(22) Filed: **Oct. 11, 2019**  
(51) **LOC (13) Cl.** ..... **31-00**  
(52) **U.S. Cl.**  
USPC ..... **D7/397; D7/308**  
(58) **Field of Classification Search**  
USPC ..... D7/300, 300.1, 301-322, 387, 397-400,  
D7/589, 598; D20/1, 4, 5, 8;  
D21/369-371; D23/201; D24/224;  
D34/14; 99/275; 222/129.1  
CPC ..... B67D 1/00; B67D 1/003; B67D 1/004;  
B67D 1/009; B67D 1/0015; B67D  
1/0016; B67D 1/0021; B67D 1/0041;  
B67D 1/0043; B67D 1/06; A47J 31/00;  
A47J 31/007; A47J 31/46  
See application file for complete search history.

(56) **References Cited**

**U.S. PATENT DOCUMENTS**

D218,083 S \* 7/1970 Hartley ..... D7/308  
D238,721 S \* 2/1976 Herman ..... D7/308  
4,570,934 A 2/1986 Smyth  
D302,369 S \* 7/1989 Schechter ..... D7/308  
D311,844 S \* 11/1990 Chase ..... D7/308  
D333,405 S \* 2/1993 Moyer, Jr. .... D7/300

(Continued)

**FOREIGN PATENT DOCUMENTS**

EM 002318725-0010 1/2013  
JP 1125129 S 10/2001

**OTHER PUBLICATIONS**

Adria, Celli, [online], [site visited Sep. 23, 2021], Available from internet URL: <https://www.celli.com/en/prodotti/colonne/adria/129/1272> (Year: 2021).\*

(Continued)

*Primary Examiner* — Mary Ann Calabrese  
*Assistant Examiner* — Natalya M Rapundalo  
(74) *Attorney, Agent, or Firm* — Sterne, Kessler,  
Goldstein & Fox P.L.L.C.

(57) **CLAIM**

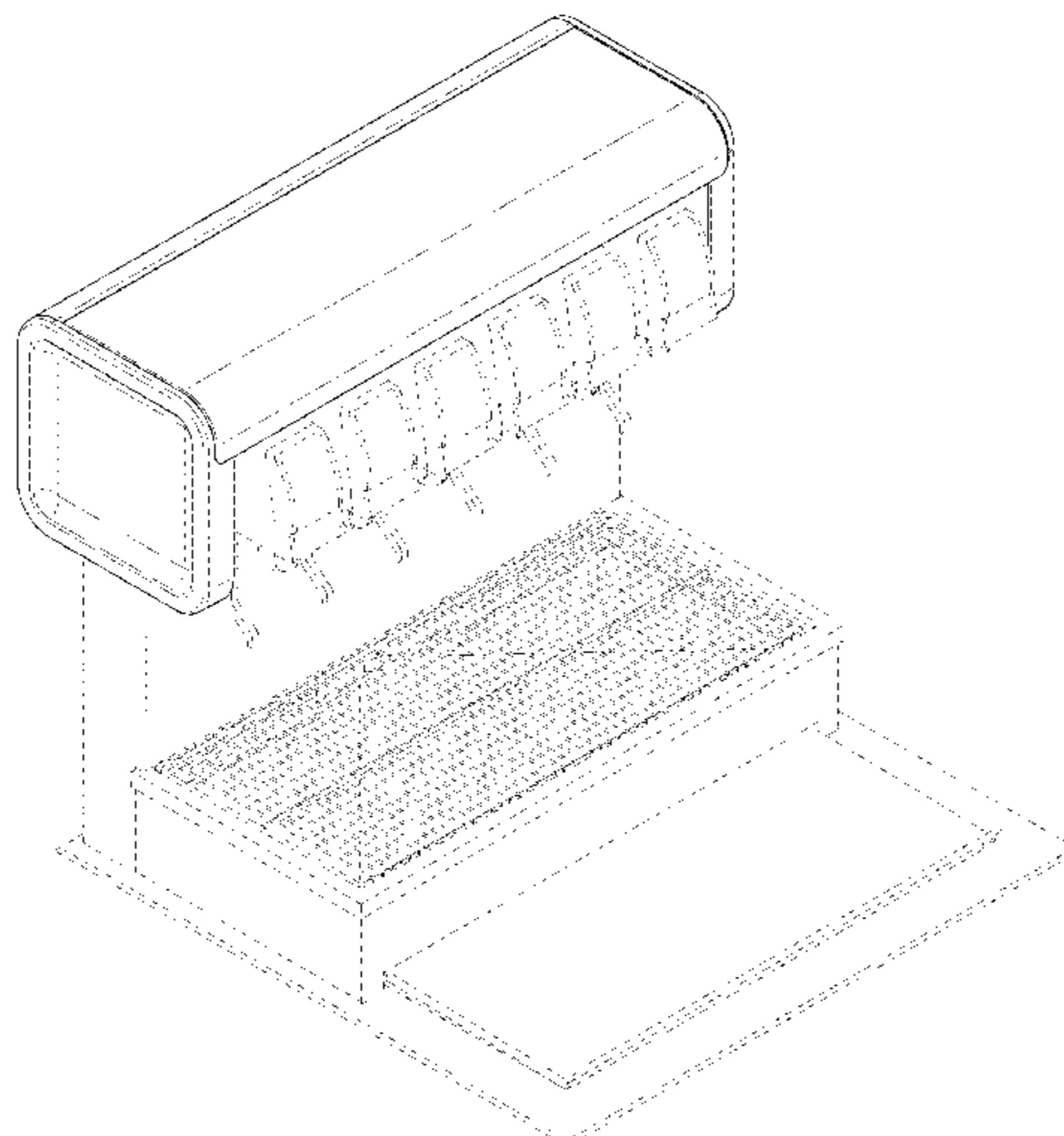
The ornamental design for a dispenser, as shown and described.

**DESCRIPTION**

FIG. 1 is a top front perspective view of a dispenser showing the claimed design;  
FIG. 2 is a top rear perspective view thereof;  
FIG. 3 is a front view thereof;  
FIG. 4 is a rear view thereof;  
FIG. 5 is a left side view thereof;  
FIG. 6 is a right side view thereof;  
FIG. 7 is a top view thereof;  
FIG. 8 is a bottom view thereof;  
FIG. 9 is a top front perspective view of a dispenser showing the claimed design in an alternative configuration;  
FIG. 10 is a top rear perspective view thereof;  
FIG. 11 is a front view thereof;  
FIG. 12 is a rear view thereof;  
FIG. 13 is a left side view thereof;  
FIG. 14 is a right side view thereof;  
FIG. 15 is a top view thereof; and,  
FIG. 16 is a bottom view thereof.

The broken lines in the figures show portions of the dispenser that form no part of the claimed design.

**1 Claim, 16 Drawing Sheets**



(56)

**References Cited**

U.S. PATENT DOCUMENTS

D335,062 S 4/1993 Kolada et al.  
 D368,617 S \* 4/1996 Jackson ..... D7/306  
 D406,615 S 3/1999 Griswold et al.  
 D409,439 S \* 5/1999 Precelton ..... D7/397  
 D442,011 S \* 5/2001 Sandor ..... D7/307  
 6,375,042 B1 \* 4/2002 Goodwin ..... B67D 1/06  
 222/129.1  
 6,439,428 B1 \* 8/2002 Schroeder ..... B67D 1/00  
 222/64  
 D465,119 S 11/2002 Strandell et al.  
 D484,354 S \* 12/2003 McDougall ..... D7/307  
 D486,687 S \* 2/2004 Strandell ..... D7/307  
 6,684,920 B2 2/2004 Seitz et al.  
 D487,215 S \* 3/2004 Watkins ..... D7/307  
 D551,487 S 9/2007 Beretta  
 D589,739 S 4/2009 Giugiaro  
 D667,676 S 9/2012 Cahen  
 8,899,072 B2 12/2014 Veettil et al.  
 9,243,830 B2 1/2016 Chadwell et al.  
 D774,821 S 12/2016 Broen et al.  
 D774,822 S 12/2016 Broen et al.

D789,133 S \* 6/2017 Gnadinger ..... B67D 1/00  
 D7/307  
 D789,142 S 6/2017 Broen et al.  
 D799,880 S 10/2017 Broen et al.  
 D858,168 S \* 9/2019 Broen ..... B67D 1/0021  
 D7/307  
 D878,131 S \* 3/2020 Broen ..... B67D 1/06  
 D7/307  
 D893,235 S \* 8/2020 Broen ..... D7/307  
 2017/0349424 A1 \* 12/2017 Novelle ..... B67D 1/0021  
 2020/0207603 A1 \* 7/2020 Sevcik ..... B01F 3/04503

OTHER PUBLICATIONS

Jersey Mike's Subs, BusinessYab, [online], [site visited Sep. 23, 2021], Available from internet URL: [https://www.businessyab.com/explore/united\\_states/kentucky/kenton\\_county/fort\\_mitchell/jersey-mikes-subs-859-331-2050.html](https://www.businessyab.com/explore/united_states/kentucky/kenton_county/fort_mitchell/jersey-mikes-subs-859-331-2050.html) (Year: 2021).\*

Stubborn Soda, Stubborn Soda, [online], [site visited Sep. 23, 2021], Available from internet URL: <https://www.stubbornsoda.com> (Year: 2021).\*

\* cited by examiner

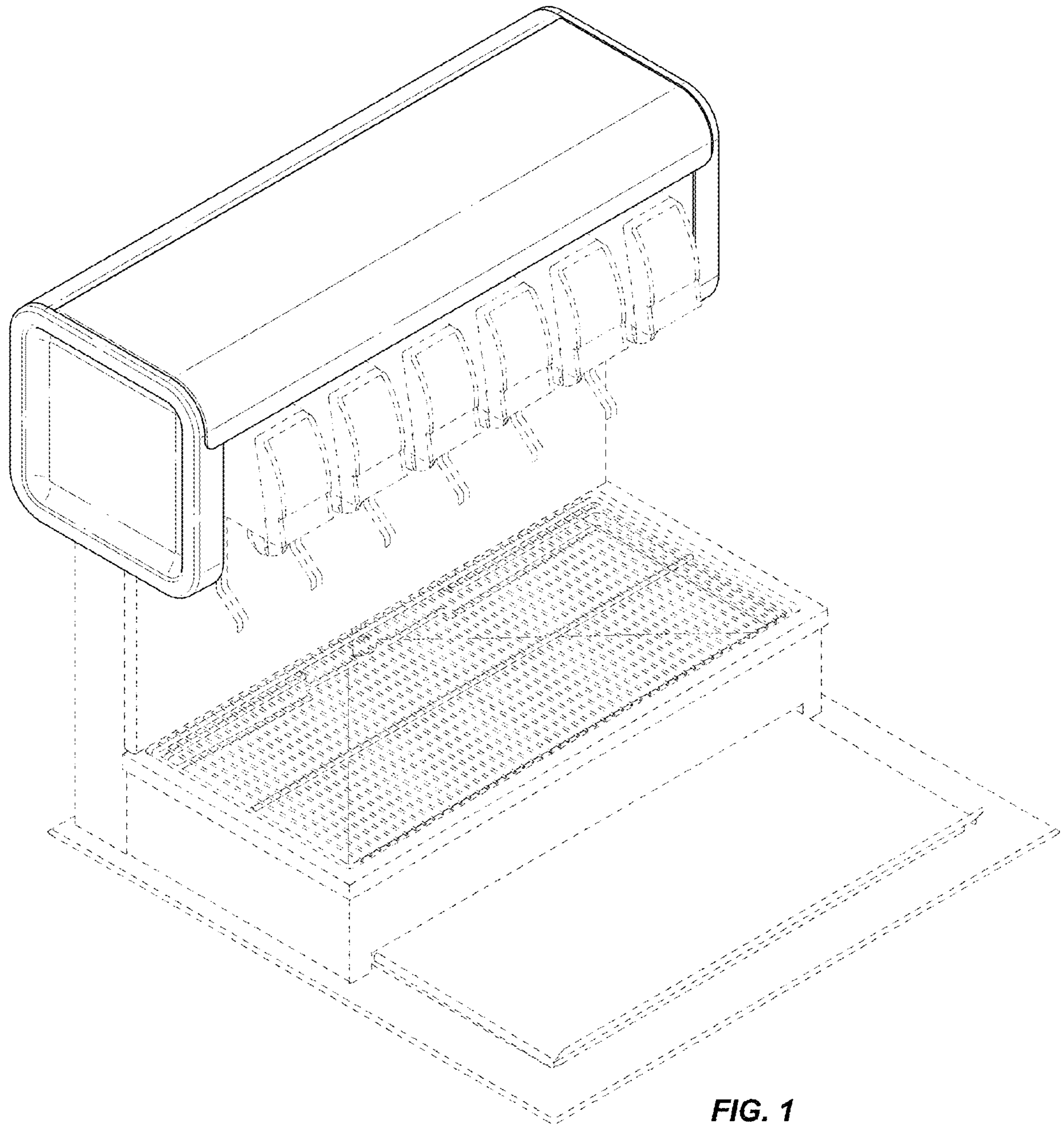
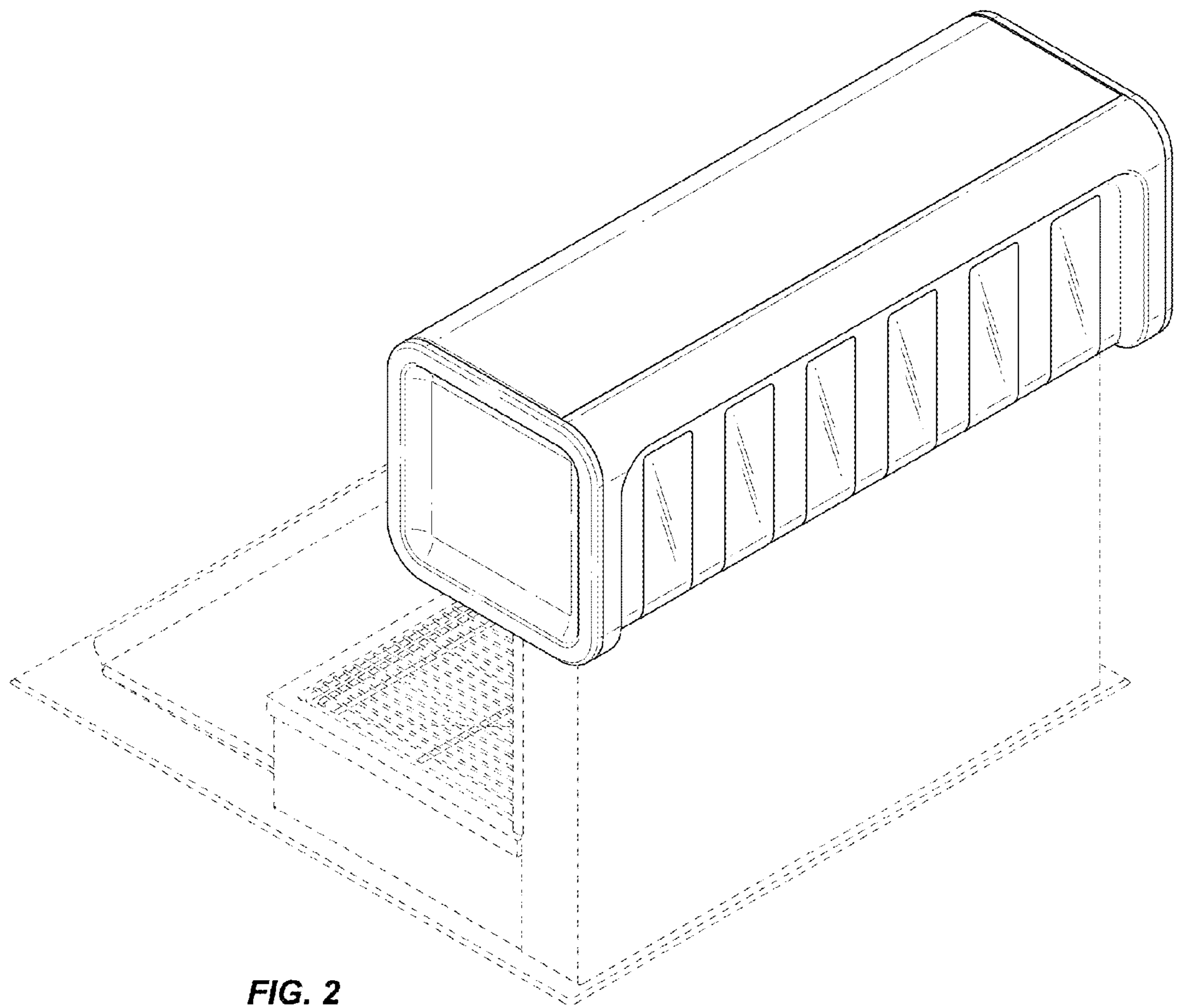
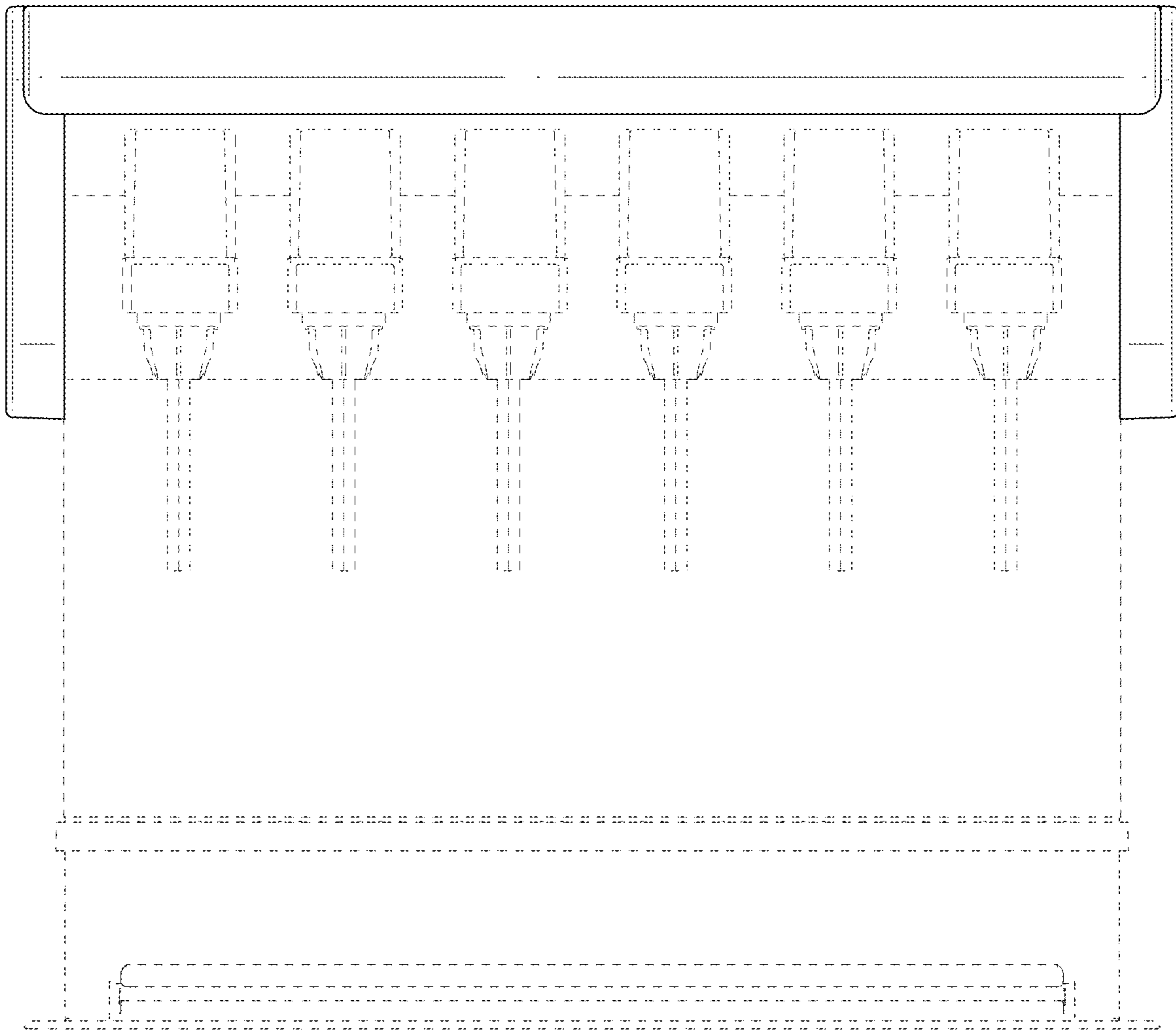


FIG. 1



**FIG. 2**



**FIG. 3**

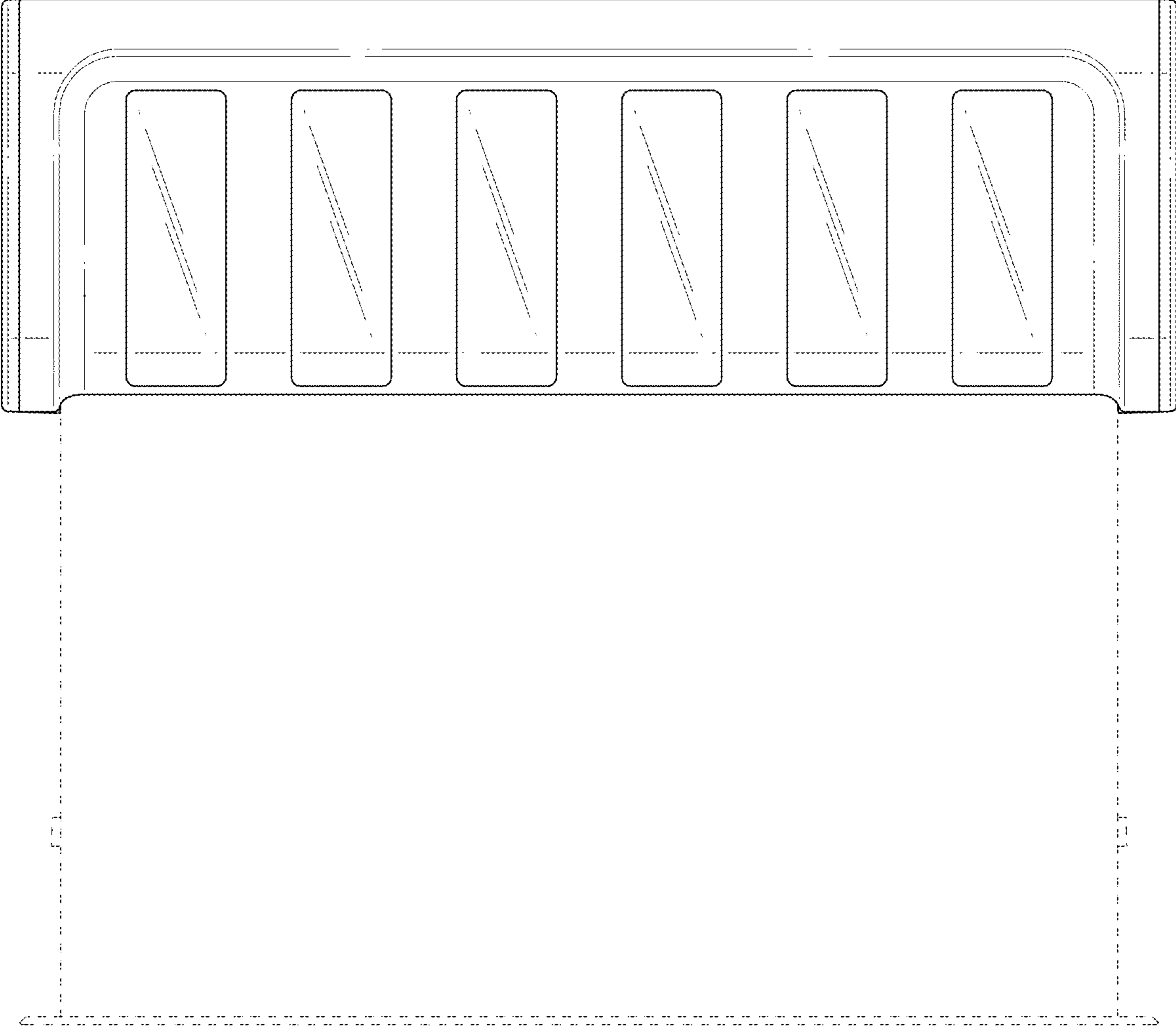
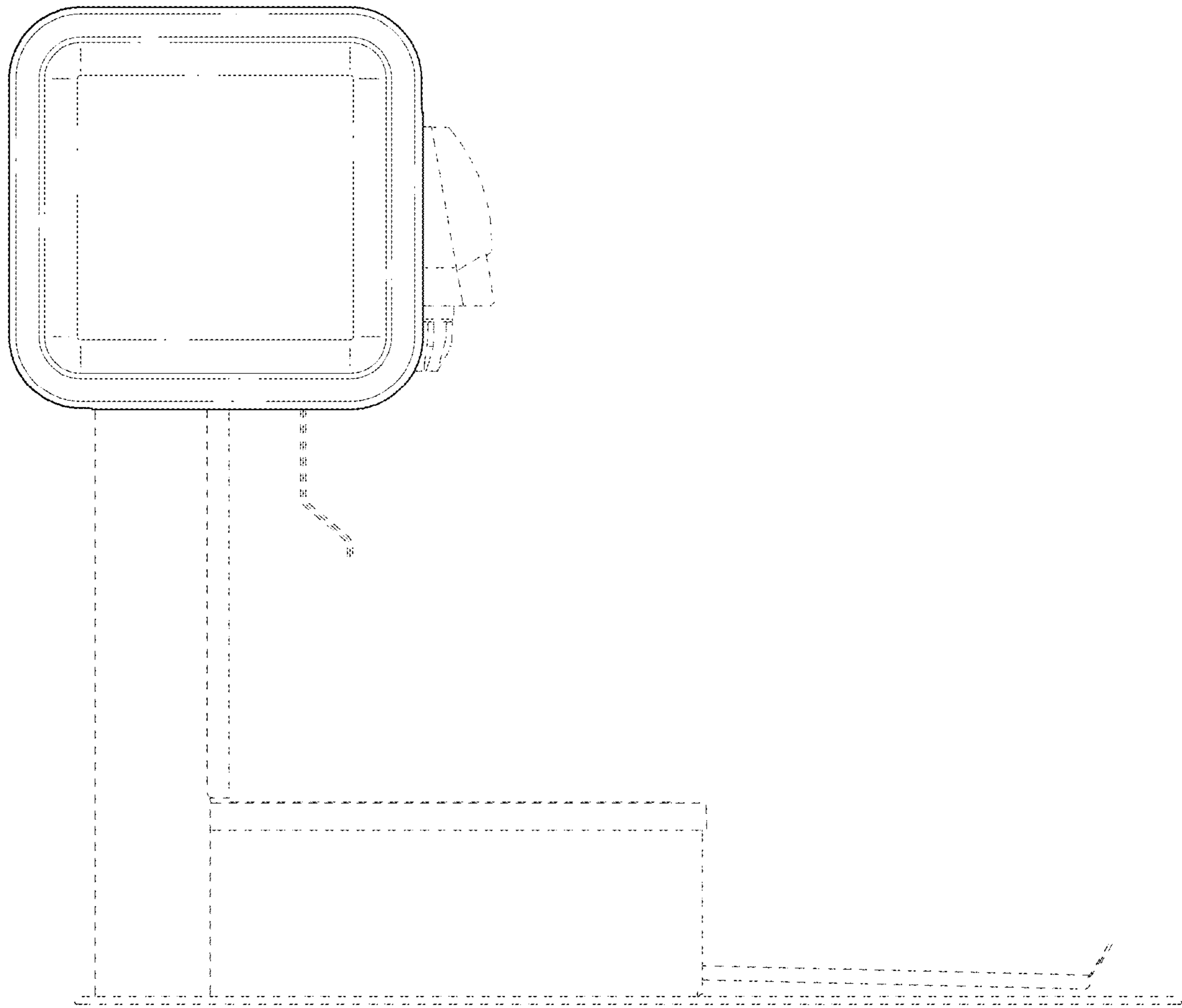
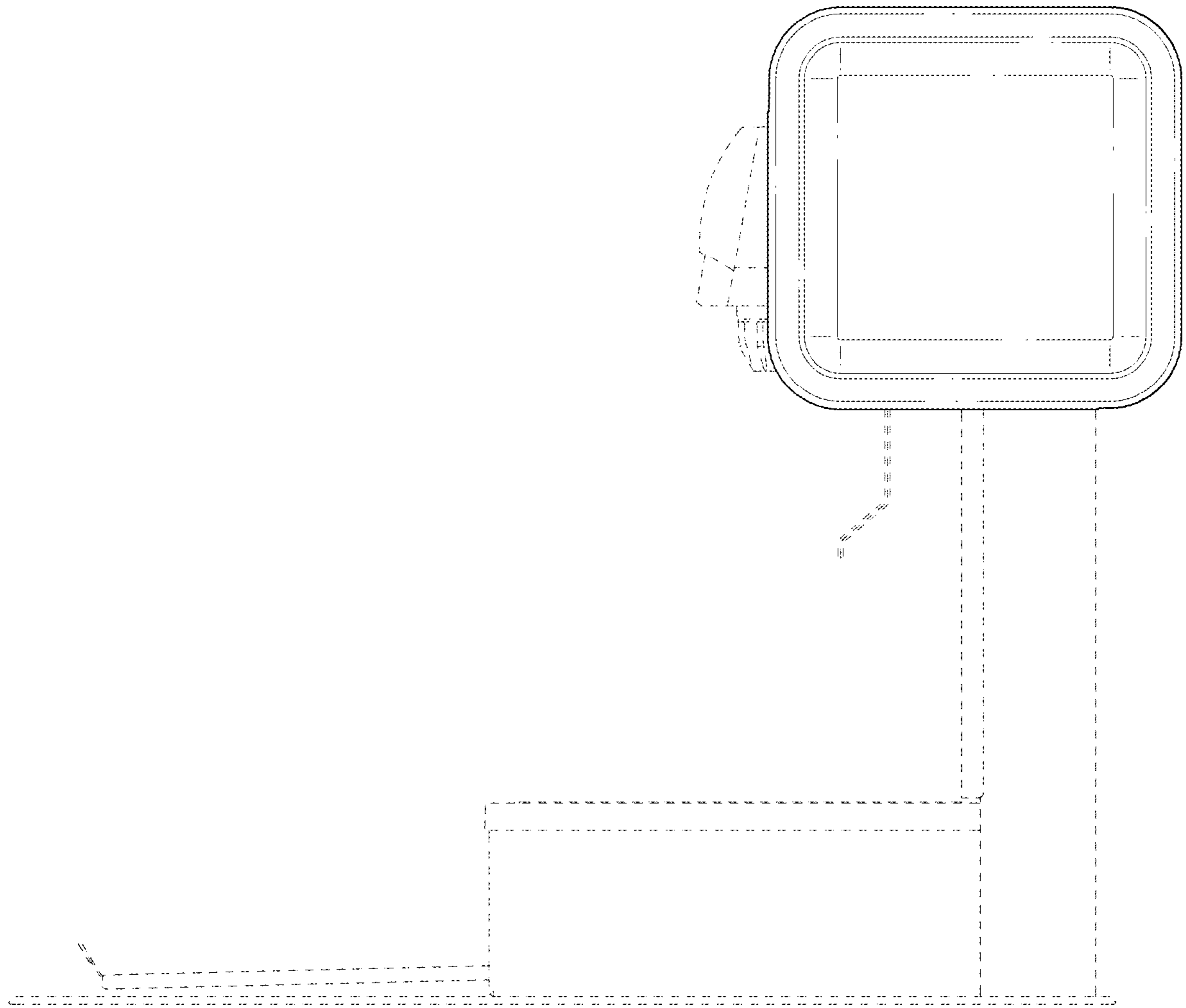


FIG. 4

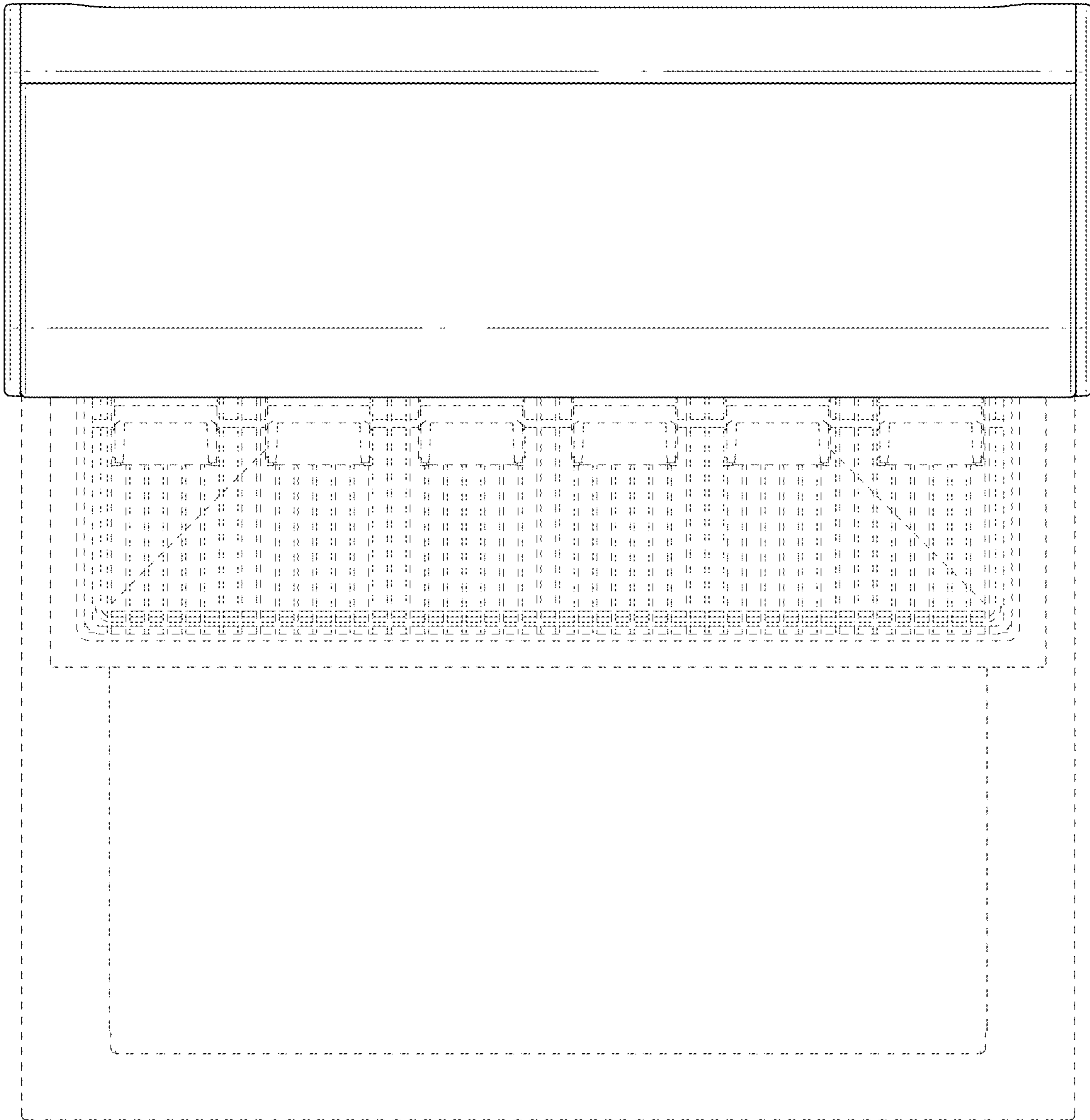


**FIG. 5**

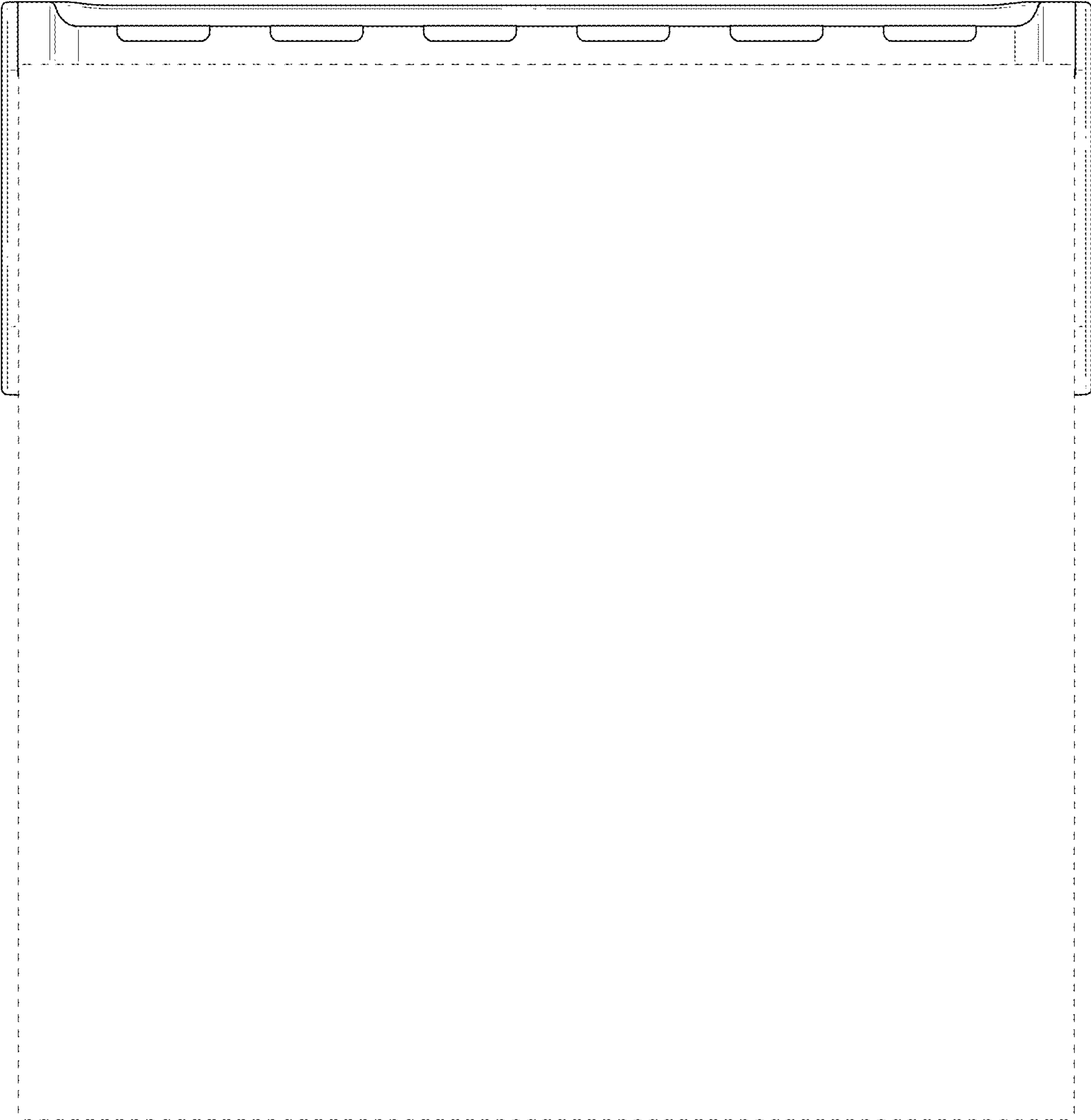


**FIG. 6**

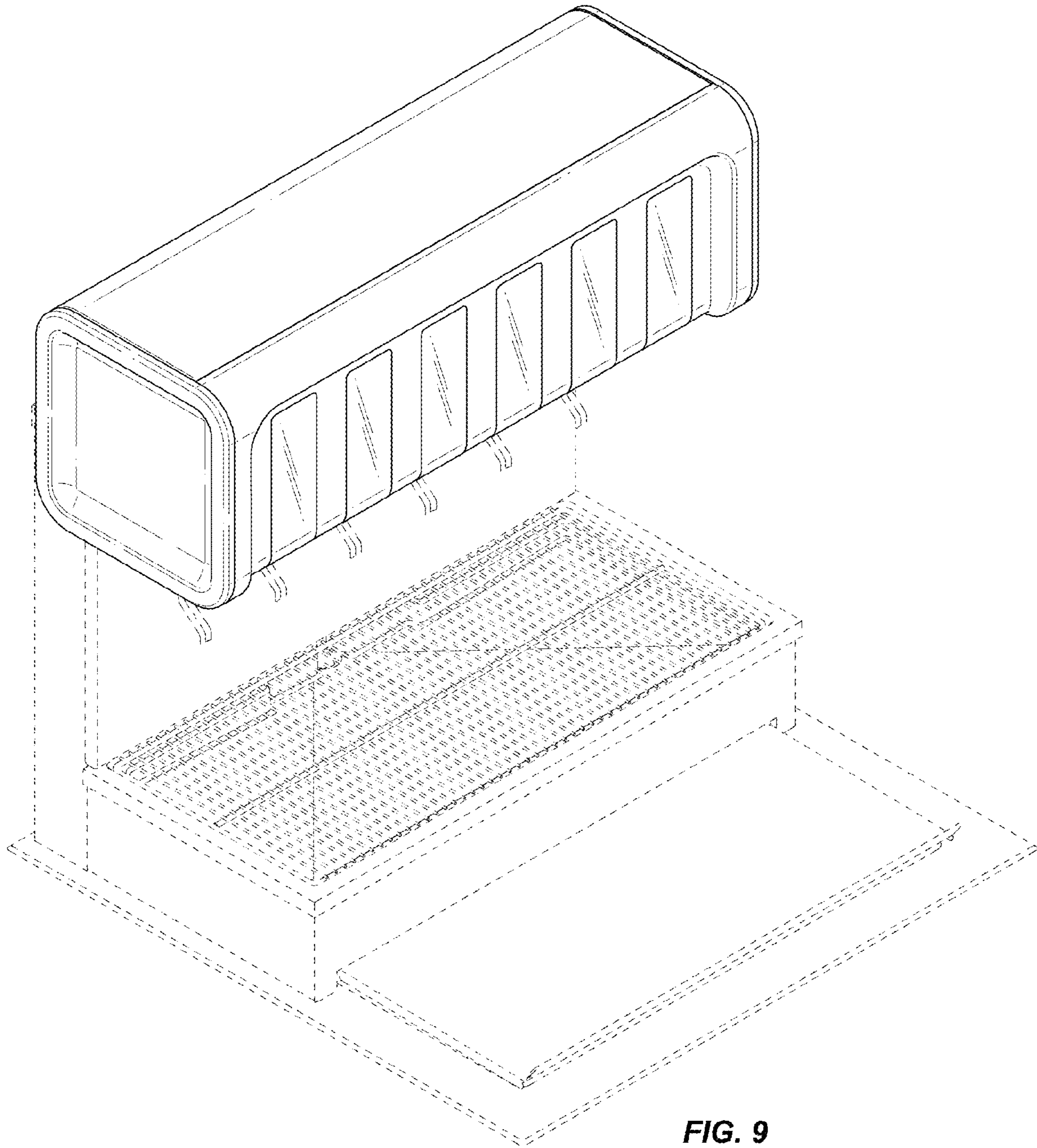


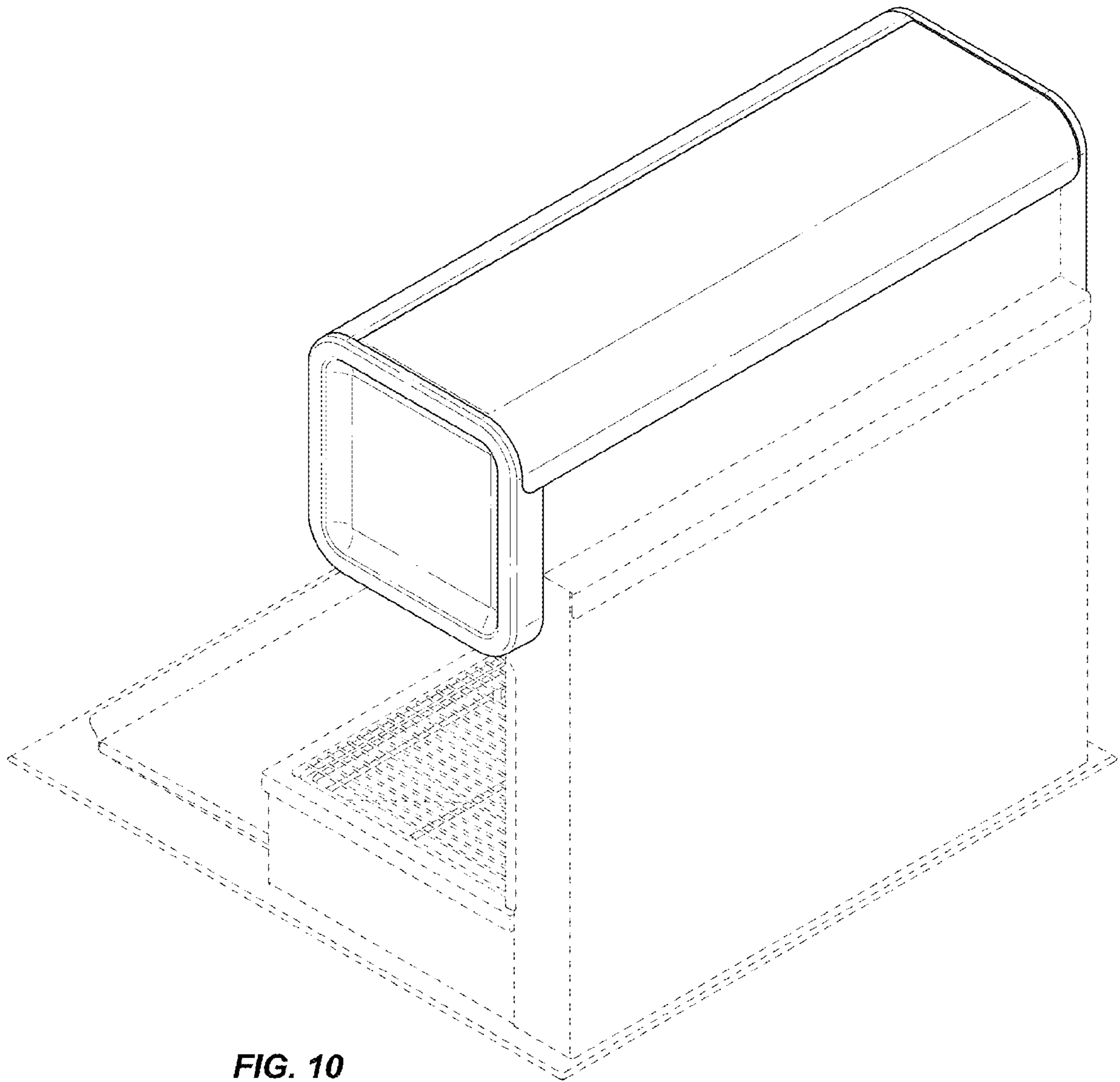


**FIG. 7**



**FIG. 8**





**FIG. 10**

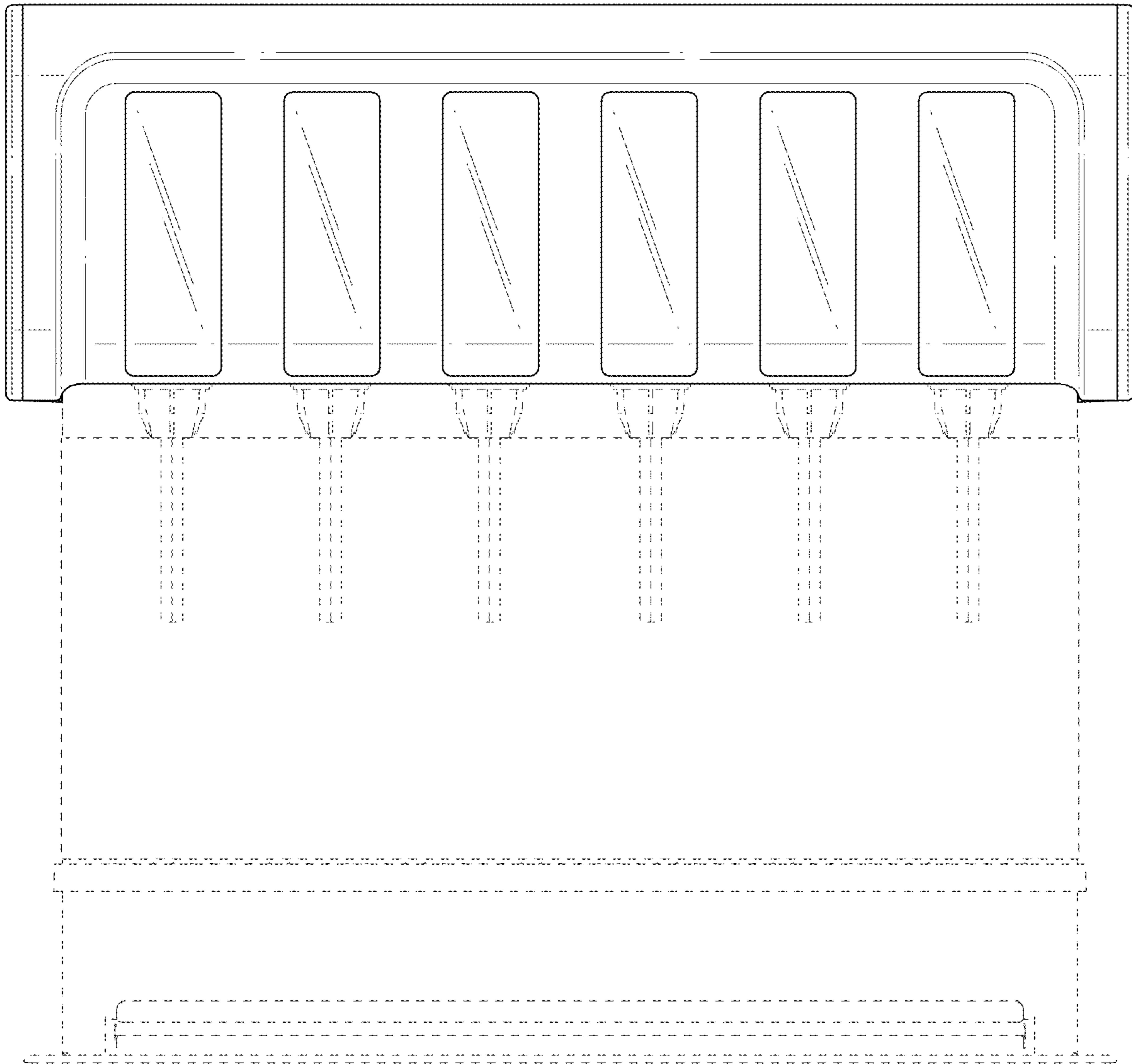
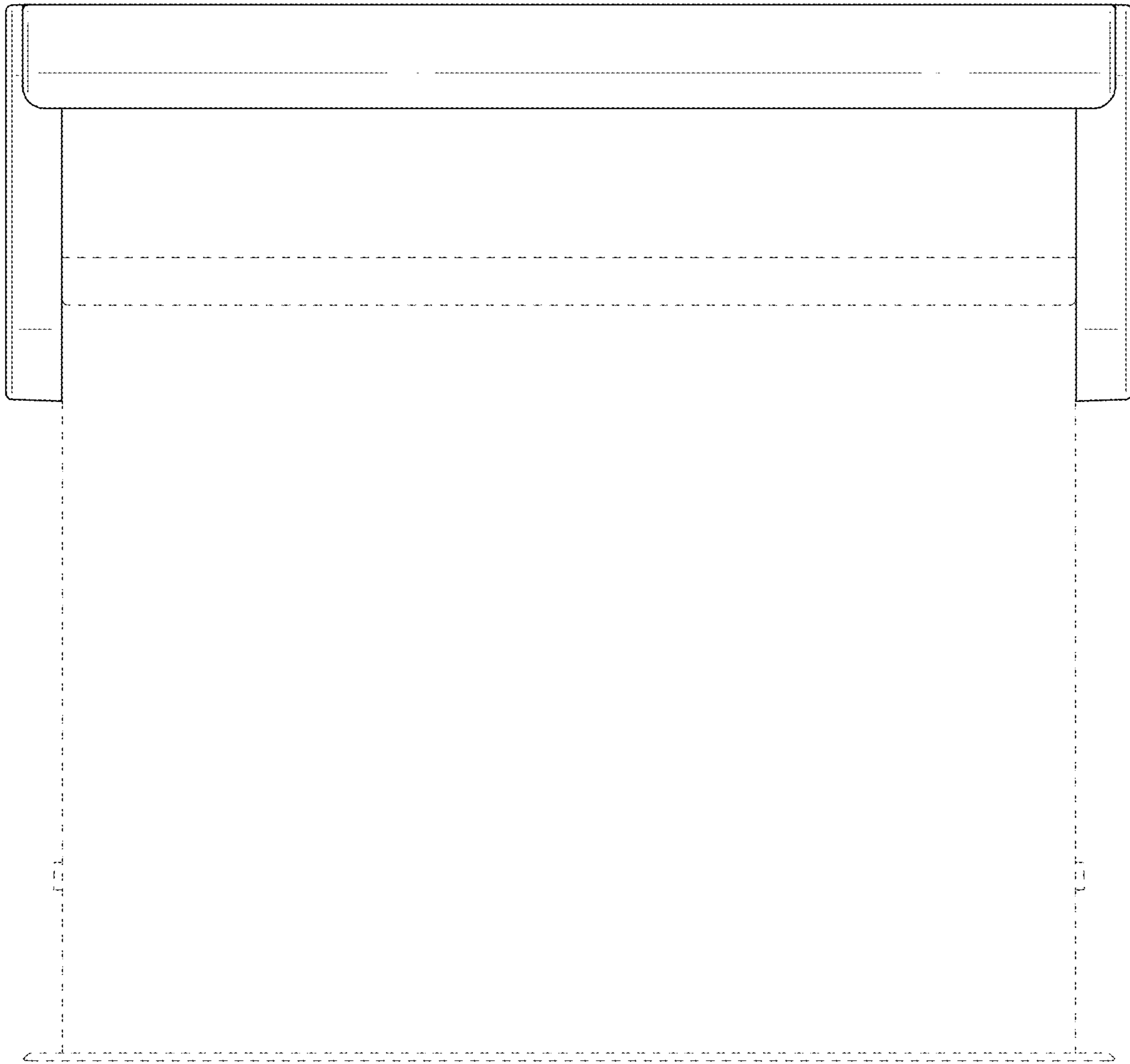
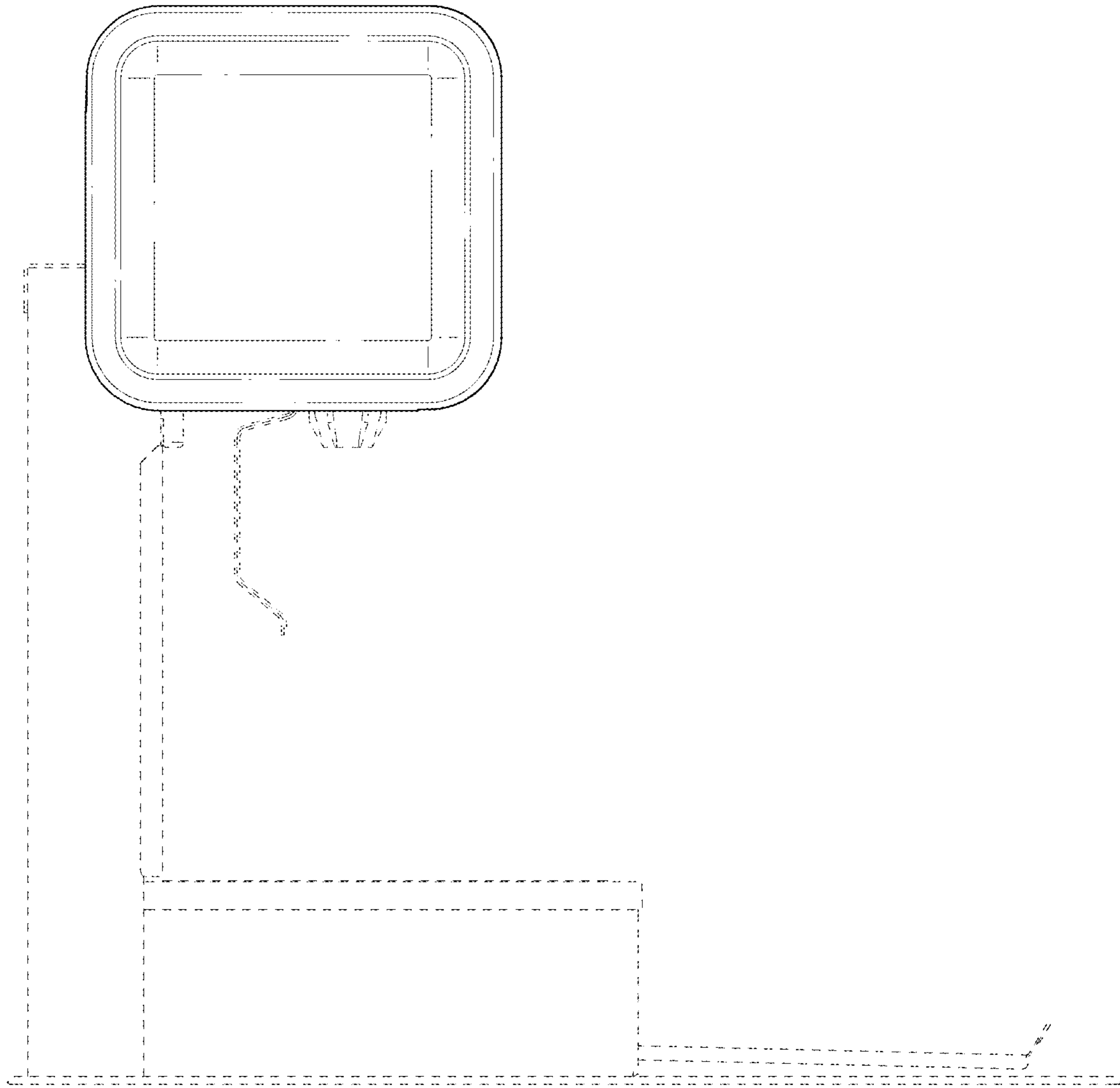


FIG. 11



**FIG. 12**



**FIG. 13**

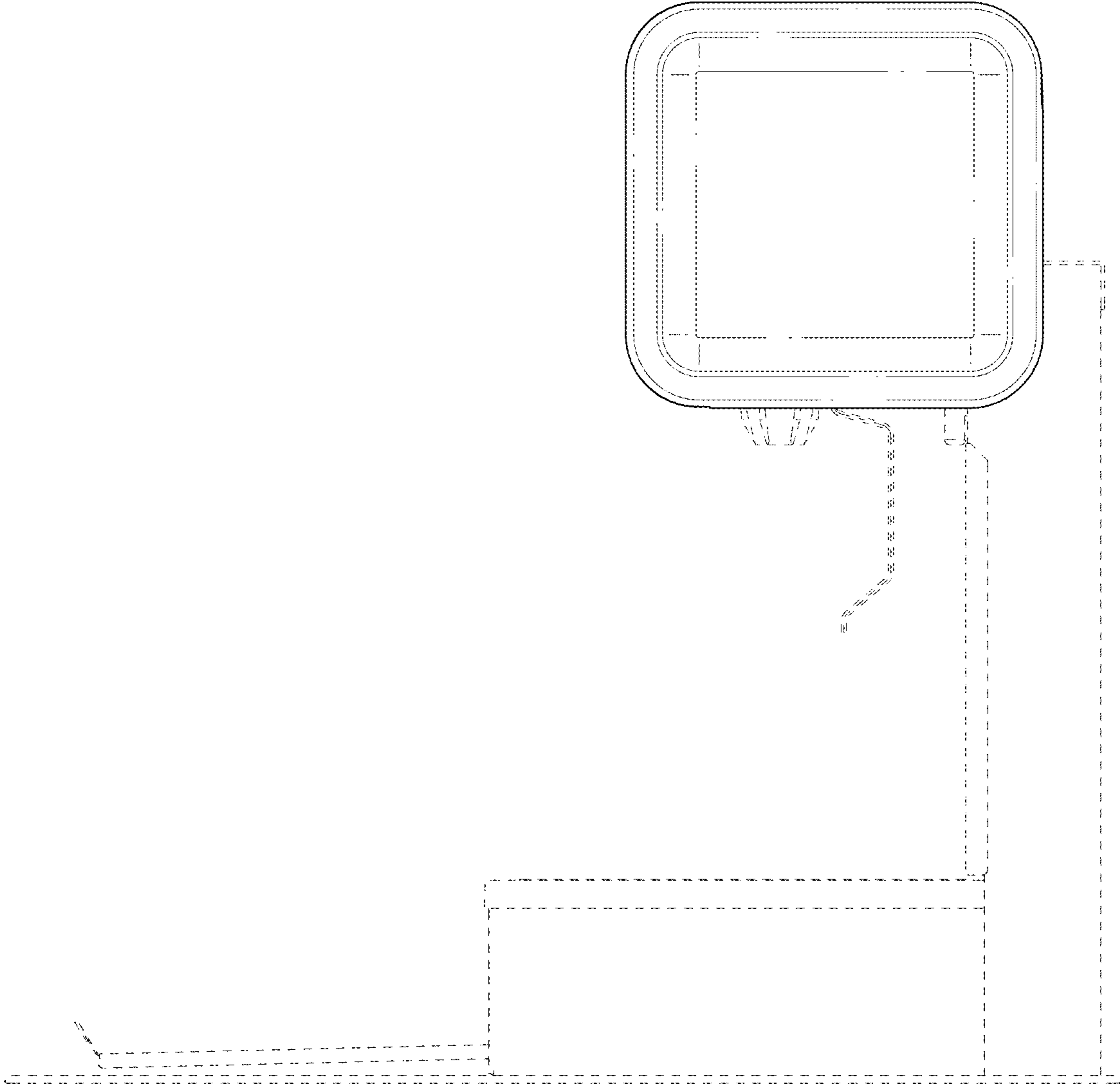
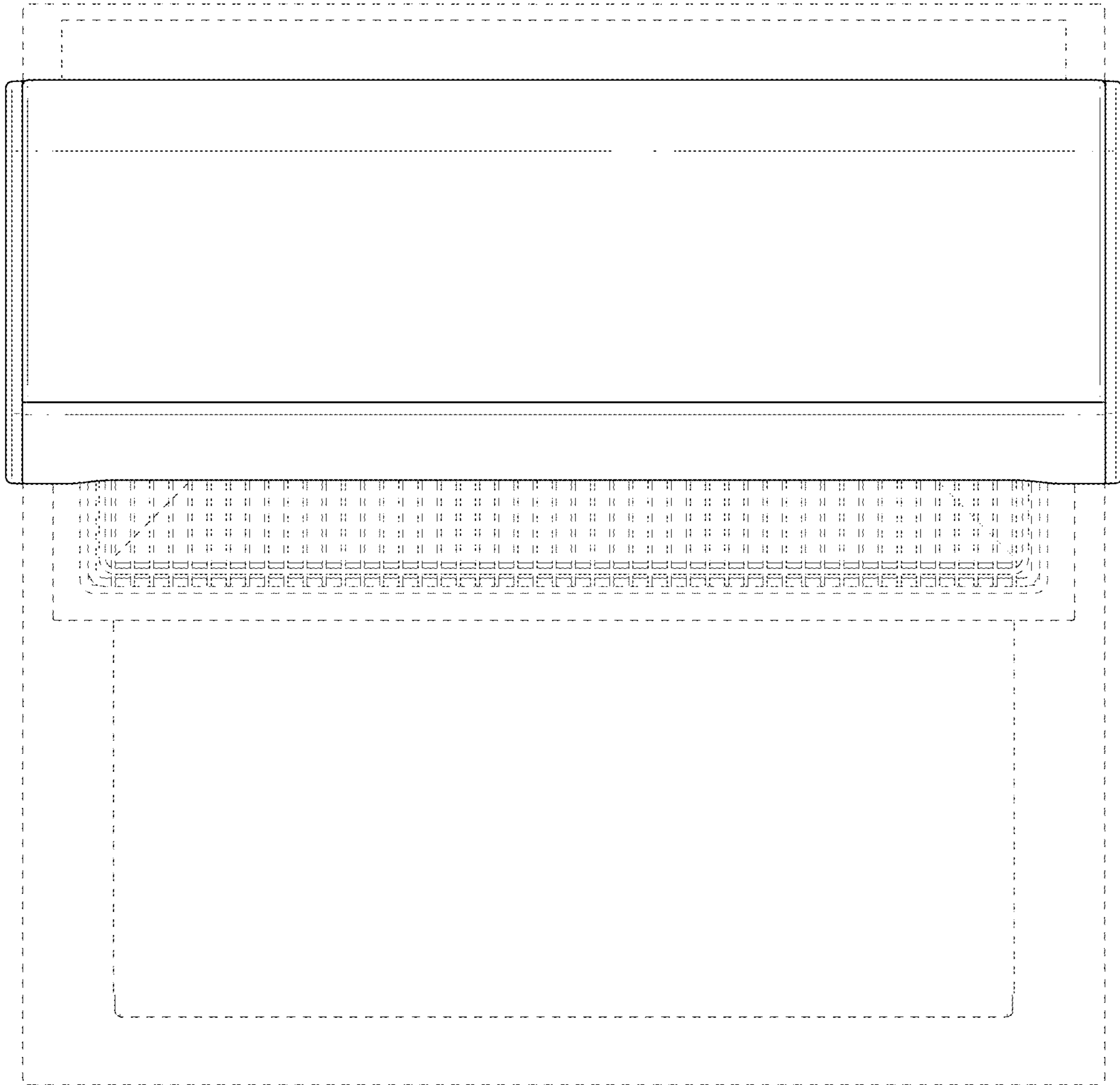
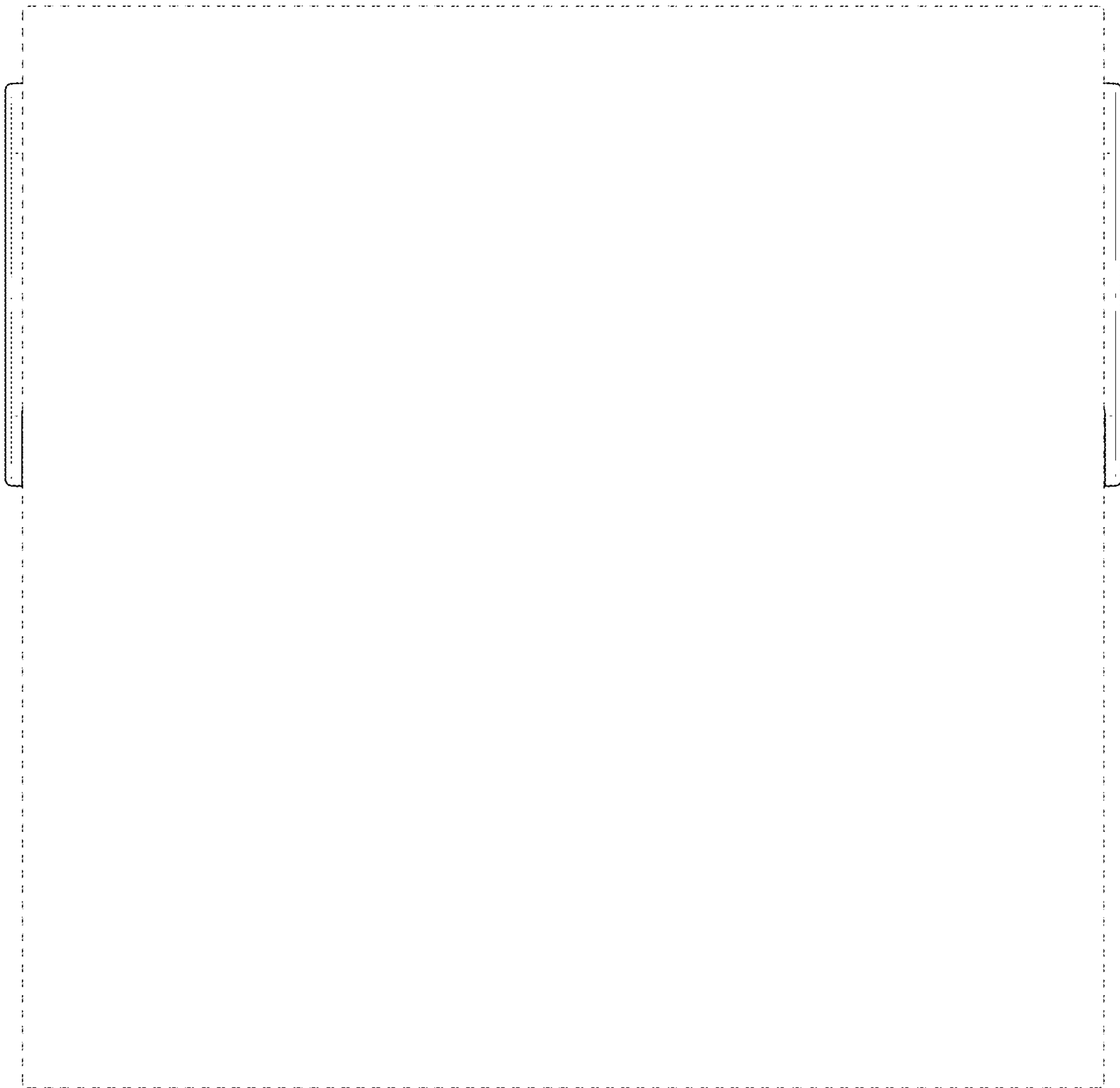


FIG. 14





**FIG. 15**



**FIG. 16**