



US00D942212S

(12) **United States Design Patent**  
**Zhou**

(10) **Patent No.:** **US D942,212 S**  
(45) **Date of Patent:** **\*\* Feb. 1, 2022**

(54) **BOTTLE LID**

(71) Applicant: **TAIZHOU GUANGHANG E-COMMERCE CO., LTD.**, Taizhou (CN)

(72) Inventor: **Danhong Zhou**, Taizhou (CN)

(73) Assignee: **TAIZHOU GUANGHANG E-COMMERCE CO., LTD.**, Taizhou (CN)

(\*\*) Term: **15 Years**

(21) Appl. No.: **29/808,139**

(22) Filed: **Sep. 17, 2021**

(30) **Foreign Application Priority Data**

Sep. 1, 2021 (CN) ..... 202130575004.3

(51) **LOC (13) Cl.** ..... **09-07**

(52) **U.S. Cl.**  
USPC ..... **D7/392.1; D9/443; D7/396.2**

(58) **Field of Classification Search**  
USPC ..... D9/435, 439, 440, 442-449, 450, 454, D9/531, 682-694, 723; D7/321, 391, D7/392, 392.1, 396.2, 507, 509-511, 523, D7/608, 900; D6/515

CPC .... B65D 83/205; B65D 83/206; B65D 83/40; B65D 2543/00046; A47G 19/2272

See application file for complete search history.

(56) **References Cited**

**U.S. PATENT DOCUMENTS**

- D590,661 S \* 4/2009 Kitamura ..... D7/510
- D675,060 S \* 1/2013 Lane ..... D7/392.1
- D770,222 S \* 11/2016 Boroski ..... D7/392.1
- D780,517 S \* 3/2017 Boroski ..... D7/511
- D780,578 S \* 3/2017 Lane ..... D9/445
- D787,268 S \* 5/2017 Matsuo ..... D7/510
- 9,675,191 B2 \* 6/2017 Kurabe ..... A47G 19/2272

- D794,453 S \* 8/2017 Boroski ..... D9/449
- D818,767 S \* 5/2018 Nezu ..... D7/392.1
- D839,044 S \* 1/2019 Potter ..... D7/392
- D853,181 S \* 7/2019 Stanton ..... D7/392
- D853,784 S \* 7/2019 Wu ..... D7/392.1
- D869,230 S \* 12/2019 Hao ..... D7/392.1
- D870,509 S \* 12/2019 Bo ..... D7/392.1
- D872,524 S \* 1/2020 Bo ..... D7/392.1
- D878,866 S \* 3/2020 Cheng ..... D7/510

(Continued)

**OTHER PUBLICATIONS**

J.M. Poolman, Mar. 17, 2019, Coolife 32 oz 1 Liter Motivational Tracking Water Bottle Amazon.com Review Post, URL: <https://www.amazon.com/Coolife-Motivational-Tracking-Bottle-Hourly/dp/B07QNJ2XD4?th=1> (Year: 2019).\*

(Continued)

*Primary Examiner* — Brett Miller

*Assistant Examiner* — Rani J Abdallah

(57) **CLAIM**

The ornamental design for a bottle lid, as shown and described.

**DESCRIPTION**

FIG. 1 is a perspective view of a bottle lid showing my new design;

FIG. 2 is another perspective view thereof;

FIG. 3 is a front elevational view thereof;

FIG. 4 is a rear elevational view thereof;

FIG. 5 is a left side elevational view thereof;

FIG. 6 is a right side elevational view thereof;

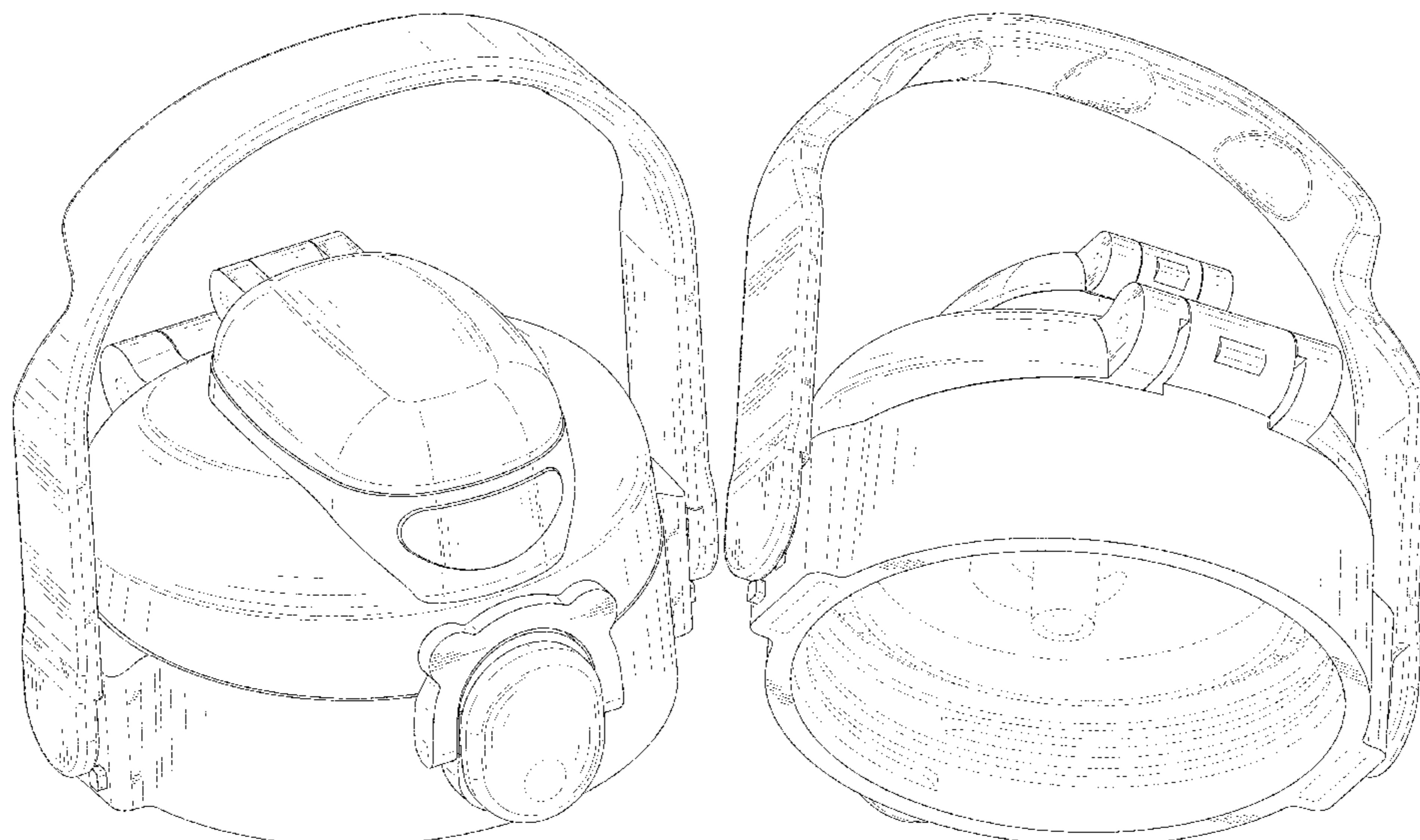
FIG. 7 is a top plan view thereof;

FIG. 8 is a bottom plan view thereof; and,

FIG. 9 is a perspective view of the bottle lid where the bottle lid is in a configuration of use.

The broken lines in the drawings depict portions of the bottle lid that form no part of the claimed design.

**1 Claim, 9 Drawing Sheets**



(56)

References Cited

U.S. PATENT DOCUMENTS

D879,555 S \* 3/2020 Wang ..... D7/510  
 D889,910 S \* 7/2020 Wang ..... D7/511  
 D892,557 S \* 8/2020 Wang ..... D7/510  
 D892,558 S \* 8/2020 Wang ..... D7/510  
 D892,561 S \* 8/2020 Wang ..... D7/511  
 D895,361 S \* 9/2020 Wang ..... D7/510  
 D896,024 S \* 9/2020 Wang ..... D7/392.1  
 D896,574 S \* 9/2020 Wang ..... D7/392.1  
 D897,775 S \* 10/2020 Wang ..... D7/510  
 D897,776 S \* 10/2020 Pan ..... D7/510  
 D899,187 S \* 10/2020 Wang ..... D7/510  
 D899,188 S \* 10/2020 Wang ..... D7/510  
 D899,848 S \* 10/2020 Zhang ..... D7/392.1  
 D900,536 S \* 11/2020 Yao ..... D7/392.1  
 D902,648 S \* 11/2020 Wang ..... D7/392.1  
 D902,655 S \* 11/2020 Wang ..... D7/510  
 D903,418 S \* 12/2020 Hu ..... D7/510  
 D904,109 S \* 12/2020 Yao ..... D7/392.1  
 D909,128 S \* 2/2021 Hu ..... D7/396.2  
 D909,810 S \* 2/2021 Lin ..... D7/396.2  
 D909,815 S \* 2/2021 Gui ..... D7/510

D910,368 S \* 2/2021 McCabe ..... D7/392.1  
 D914,456 S \* 3/2021 Lin ..... D7/511  
 D916,560 S \* 4/2021 Wu ..... D7/392.1  
 D921,422 S \* 6/2021 McCabe ..... D7/392.1  
 D923,397 S \* 6/2021 Lin ..... D7/392.1  
 D924,626 S \* 7/2021 Wang ..... D7/392.1  
 D928,558 S \* 8/2021 Han ..... D7/392.1  
 D929,183 S \* 8/2021 Wahl ..... D7/511  
 D929,184 S \* 8/2021 Wahl ..... D7/511

OTHER PUBLICATIONS

Juanita Bernal, Sep. 18, 2019, Amazon.com Review Post, URL: [https://www.amazon.com/4AMinLA-Motivational-Capacity-Leakproof-Fitness/dp/B07XF3GK24/ref=sxin\\_14\\_sbv\\_search\\_btf?cv\\_ct\\_cx=64%2Boz%2Binsulated%2Bwater%2Bbottle%2Bwith%2Bstraw&keywords=64%2Boz%2Binsulated%2Bwater%2Bbottle%2Bwith%2Bstraw&pd\\_rd\\_i=B0](https://www.amazon.com/4AMinLA-Motivational-Capacity-Leakproof-Fitness/dp/B07XF3GK24/ref=sxin_14_sbv_search_btf?cv_ct_cx=64%2Boz%2Binsulated%2Bwater%2Bbottle%2Bwith%2Bstraw&keywords=64%2Boz%2Binsulated%2Bwater%2Bbottle%2Bwith%2Bstraw&pd_rd_i=B0) (Year: 2019).\*

Abe Kim, Dec. 18, 2018, Amazon.com Review Post, URL: <https://www.amazon.com/Proof-Sports-Water-Bottle-Ounce/dp/B07HH3FXQG?th=1> (Year: 2018).\*

\* cited by examiner

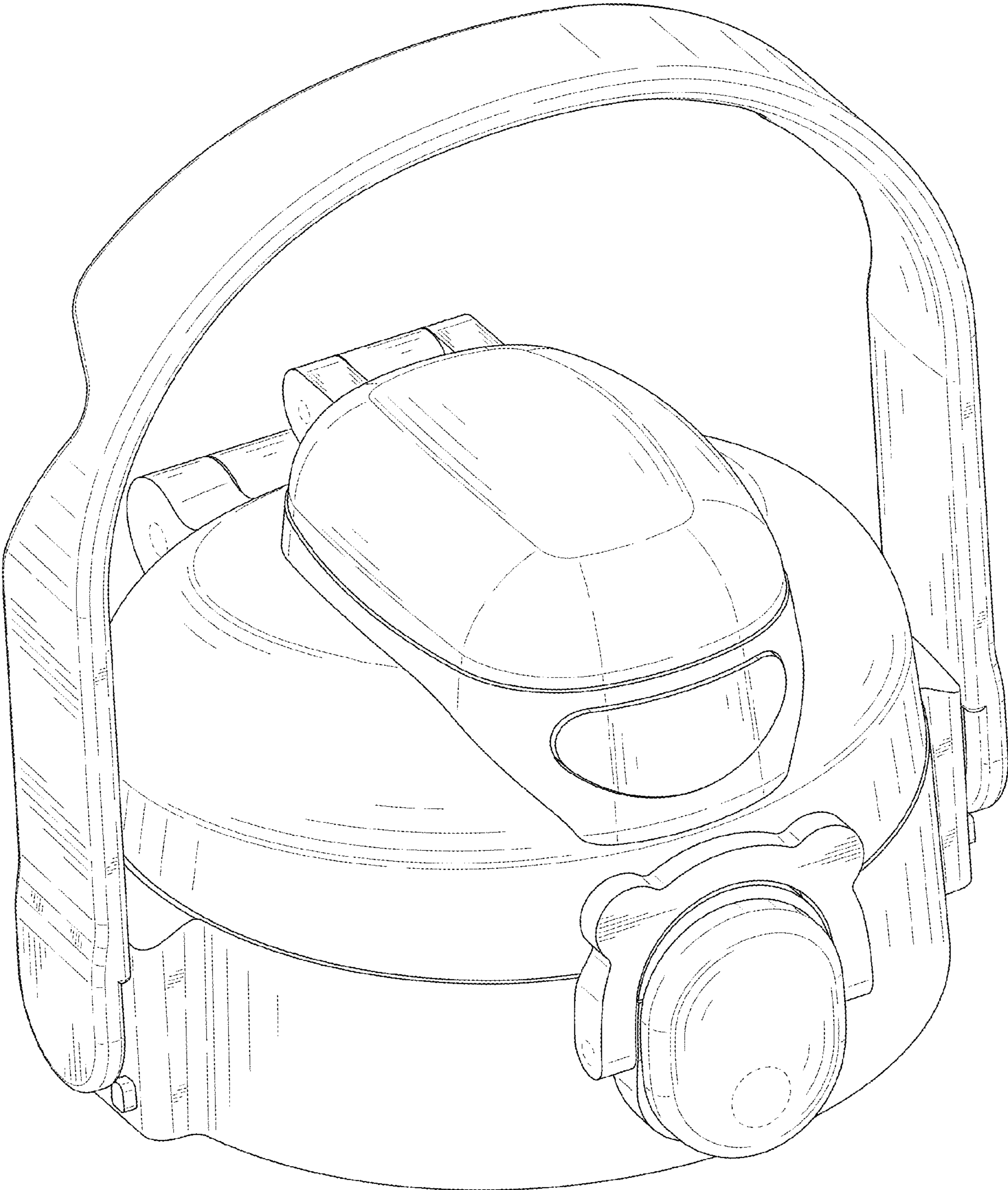


FIG. 1

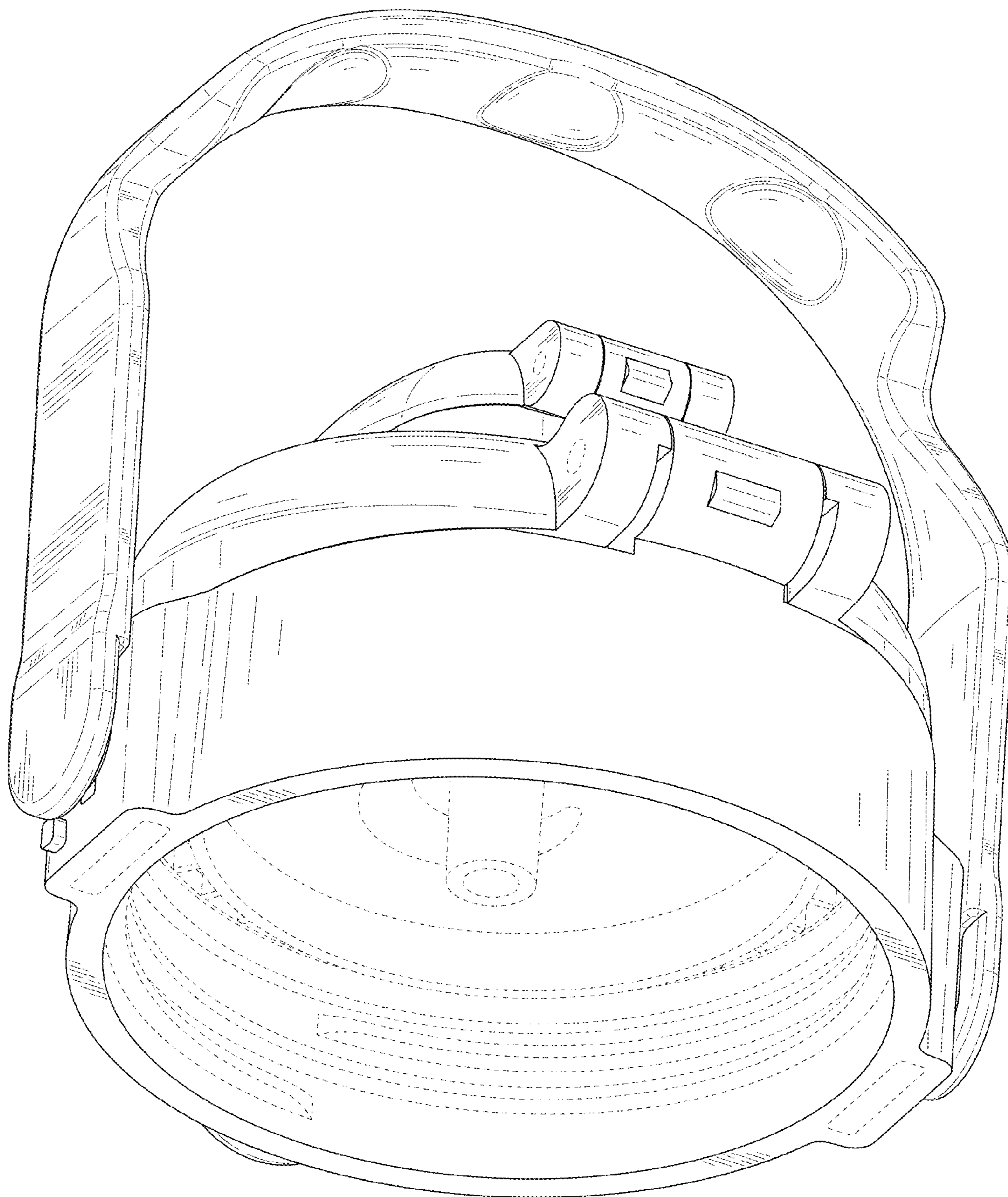


FIG. 2

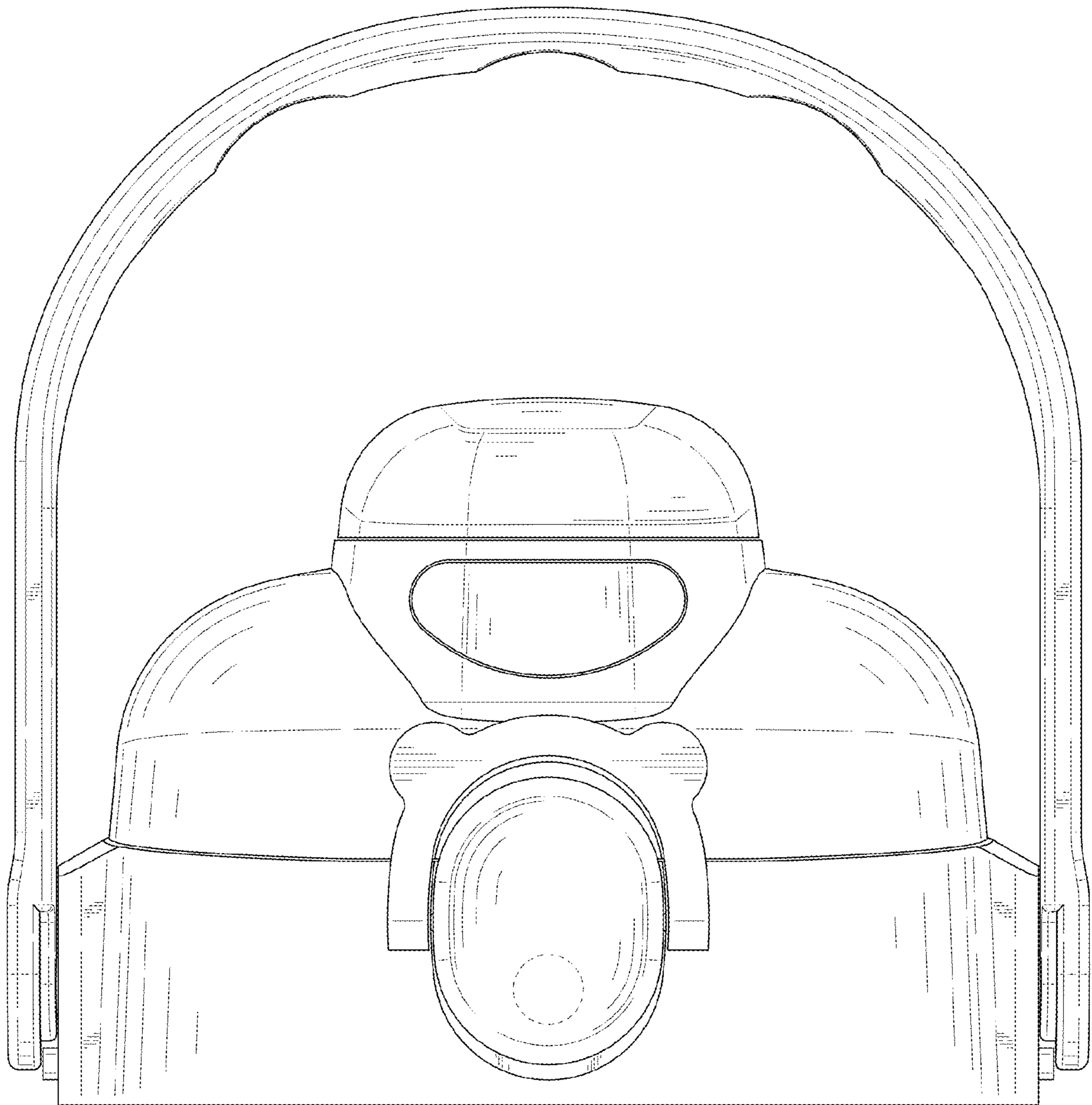


FIG. 3

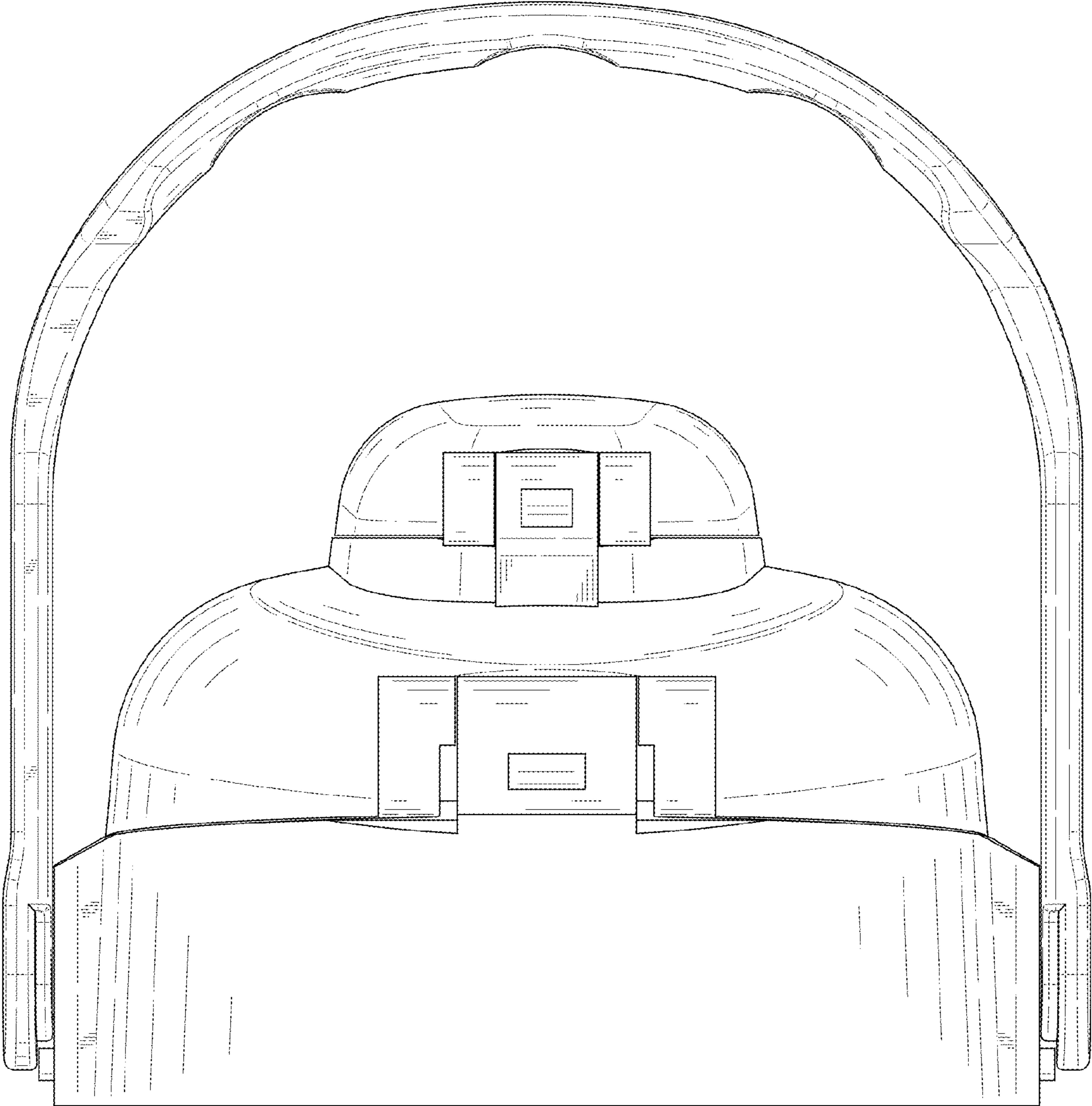


FIG. 4

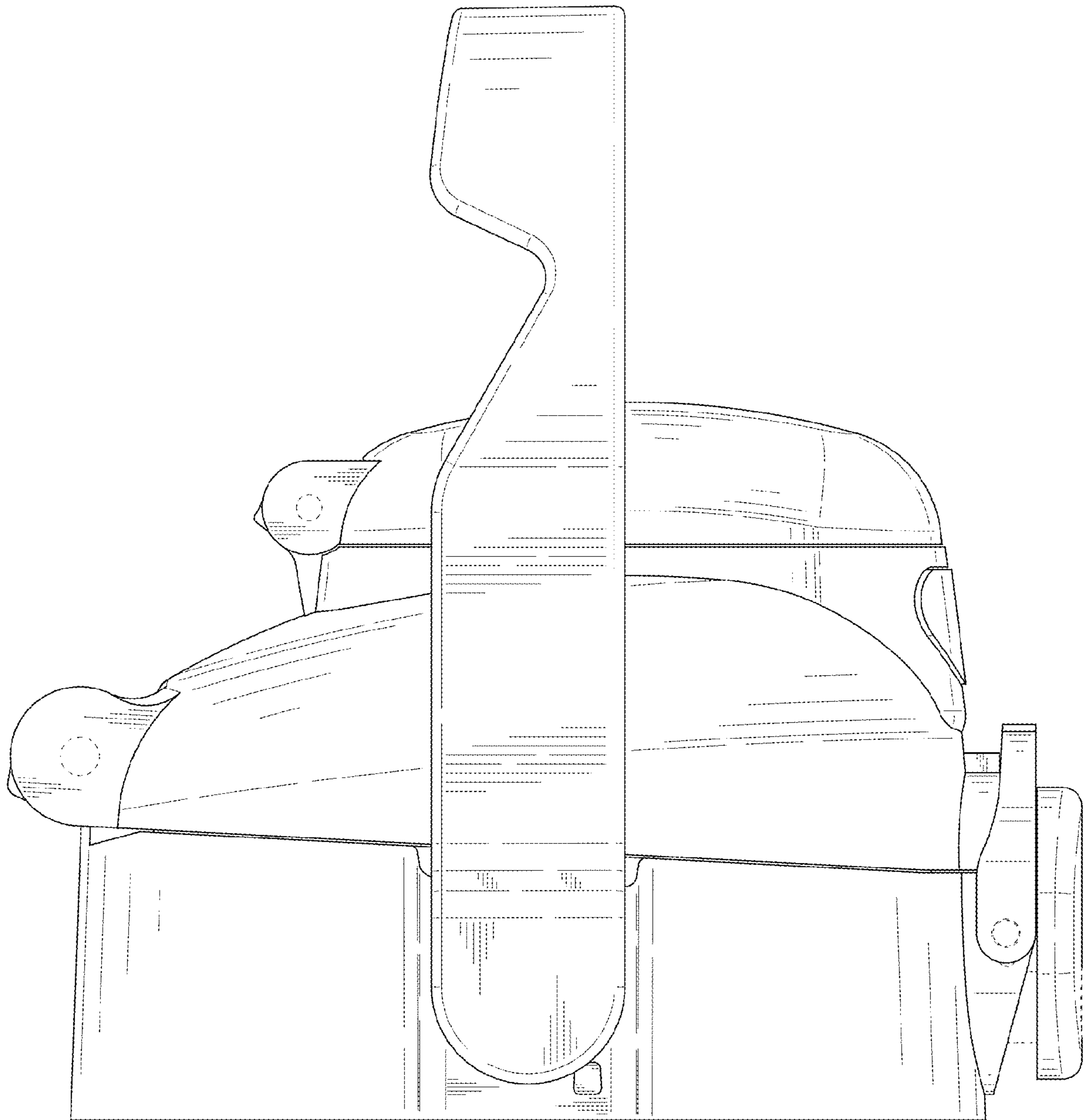


FIG. 5

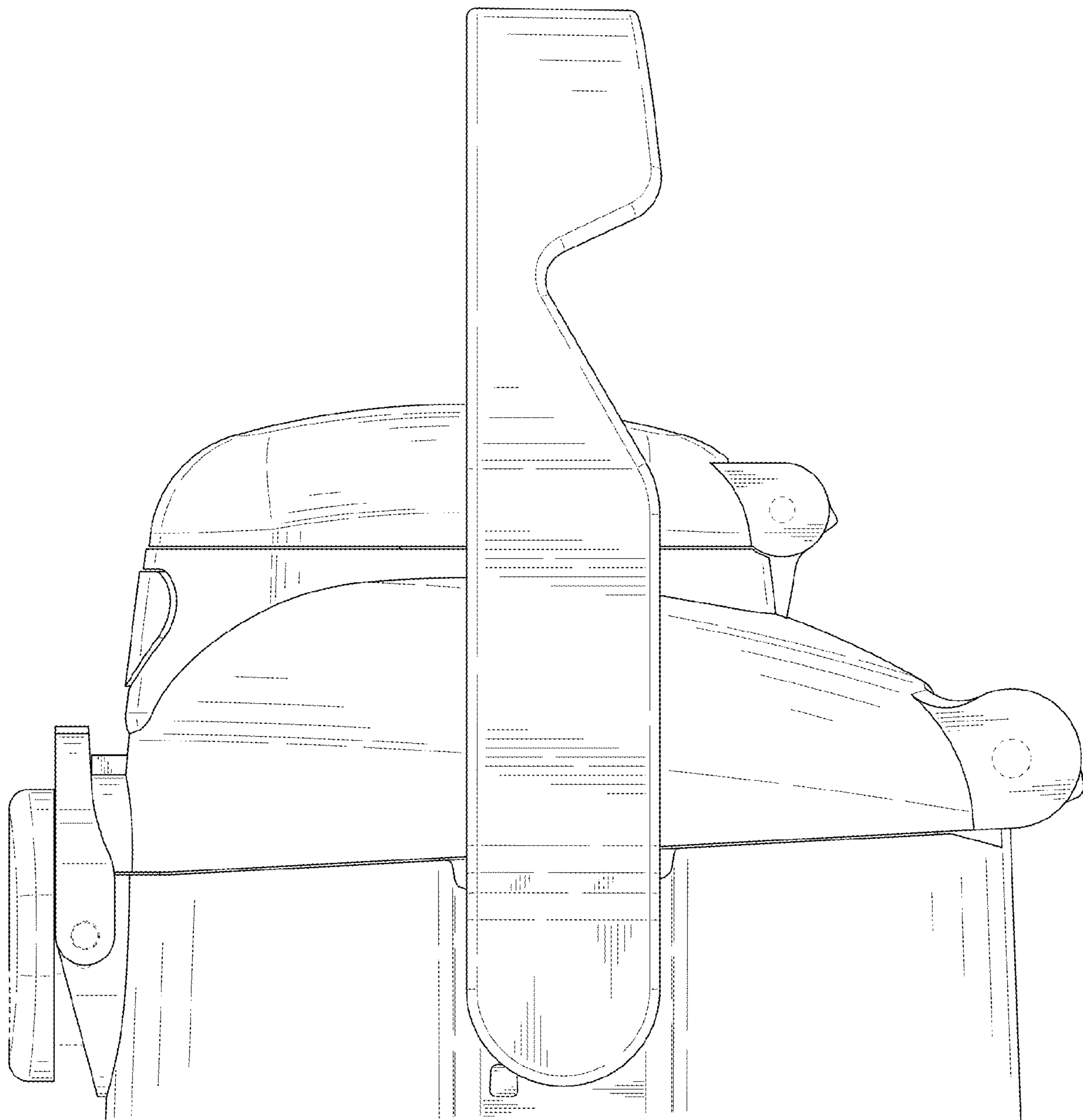


FIG. 6



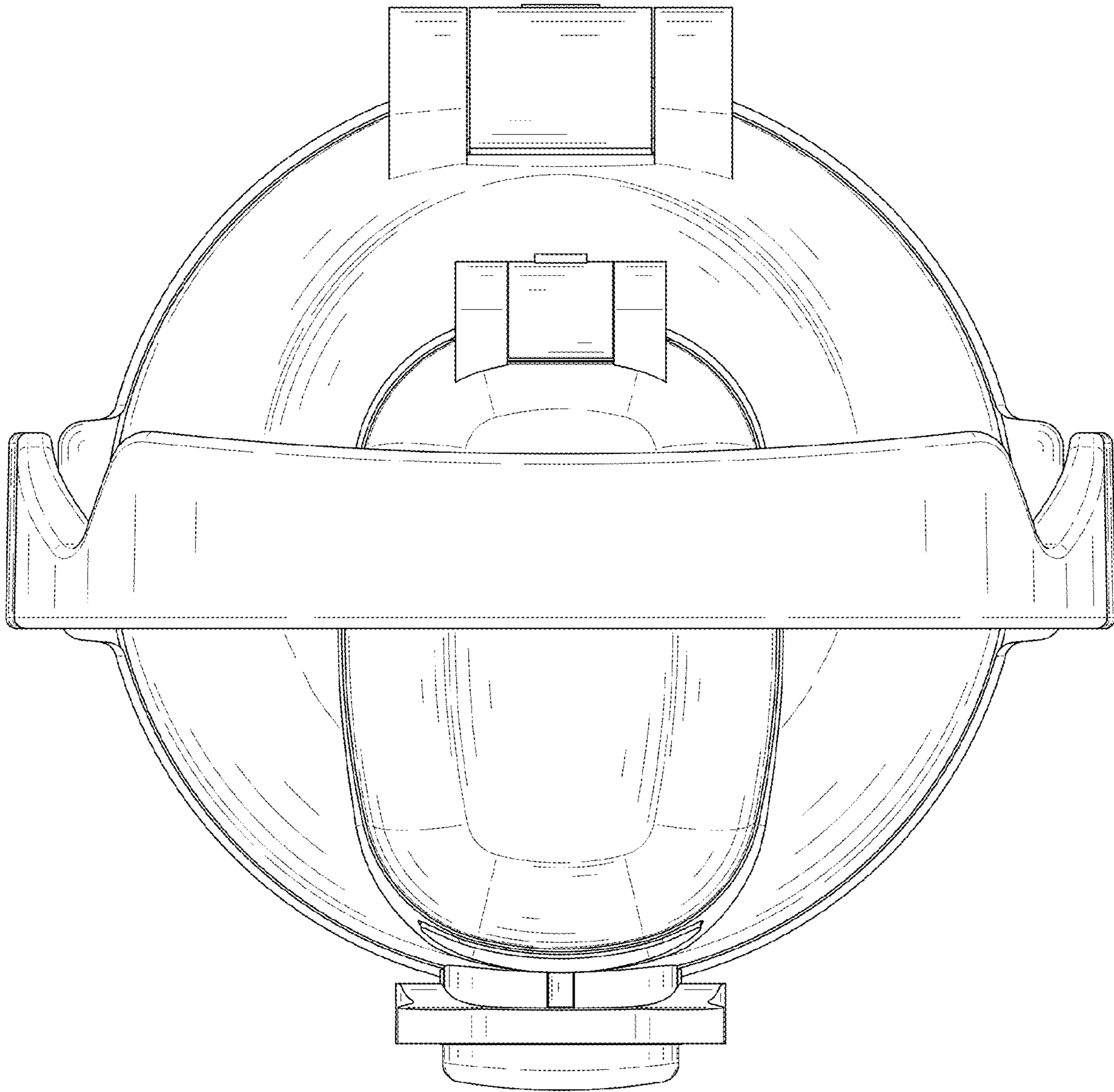


FIG. 7

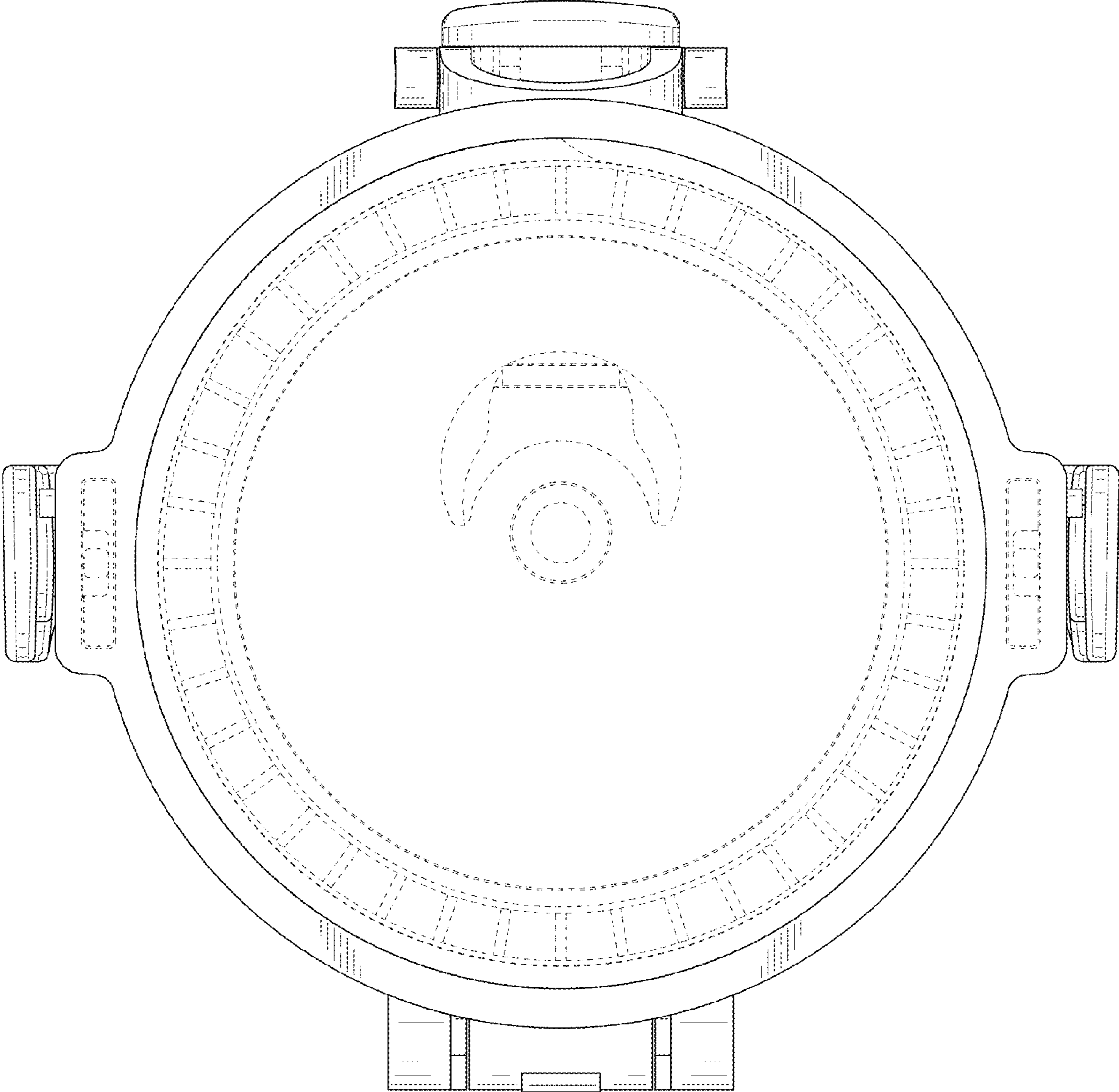


FIG. 8

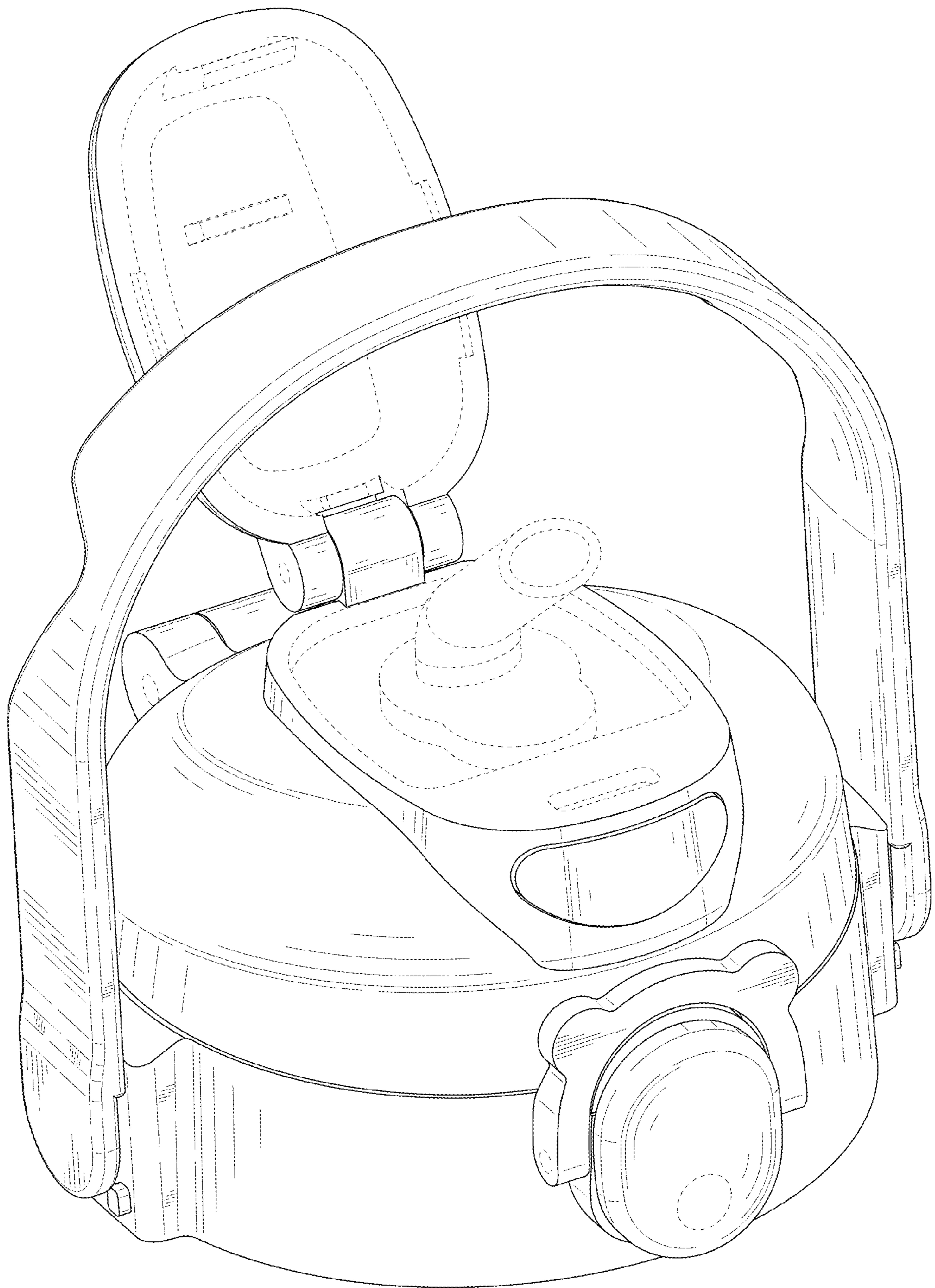


FIG. 9