



US00D942211S

(12) **United States Design Patent** (10) **Patent No.:** **US D942,211 S**  
**Backs** (45) **Date of Patent:** **\*\* Feb. 1, 2022**

(54) **CONTAINER CAP**  
(71) Applicant: **CAMELBAK PRODUCTS, LLC**,  
Petaluma, CA (US)  
(72) Inventor: **Jochen Backs**, Mill Valley, CA (US)  
(73) Assignee: **CAMELBAK PRODUCTS, LLC**,  
Petaluma, CA (US)

D855,388 S \* 8/2019 Potter ..... D7/392.1  
D862,985 S \* 10/2019 Backs ..... D7/511  
D870,508 S \* 12/2019 Palkon ..... D7/392.1  
D881,643 S \* 4/2020 Fleischhut ..... D7/396.2  
2010/0193462 A1\* 8/2010 Roth ..... B65D 81/18  
215/229  
2014/0138395 A1\* 5/2014 Joy ..... B65D 47/305  
220/715

(\*\*) Term: **15 Years**  
(21) Appl. No.: **29/782,003**  
(22) Filed: **May 3, 2021**

**OTHER PUBLICATIONS**

“CamelBak Eddy+ Kids Bottle”. Found online Jun. 24, 2020 at amazon.com. Reference dated Dec. 24, 2019. Retrieved from https://www.amazon.com/CamelBak-2305102040-Eddy-Kids-Bones/dp/B07X97WW14/ref=cm\_cr\_arp\_d\_product\_top?ie=UTF8.\*

(Continued)

**Related U.S. Application Data**

(63) Continuation of application No. 29/692,219, filed on May 23, 2019, now Pat. No. Des. 920,046.  
(51) **LOC (13) Cl.** ..... **07-01**  
(52) **U.S. Cl.**  
USPC ..... **D7/392.1**  
(58) **Field of Classification Search**  
USPC ..... D7/391, 392, 392.1, 396.1, 396.2, 397, D7/509, 510, 543, 629; D9/435, 443, D9/447, 449, 516  
CPC ..... B65D 47/066; B65D 47/305  
See application file for complete search history.

*Primary Examiner* — Kendra Leslie Hamilton  
(74) *Attorney, Agent, or Firm* — Amardeep S. Grewal; Gerard M. Donovan; Reed Smith LLP

(57) **CLAIM**

The ornamental design for a container cap, as shown and described.

**DESCRIPTION**

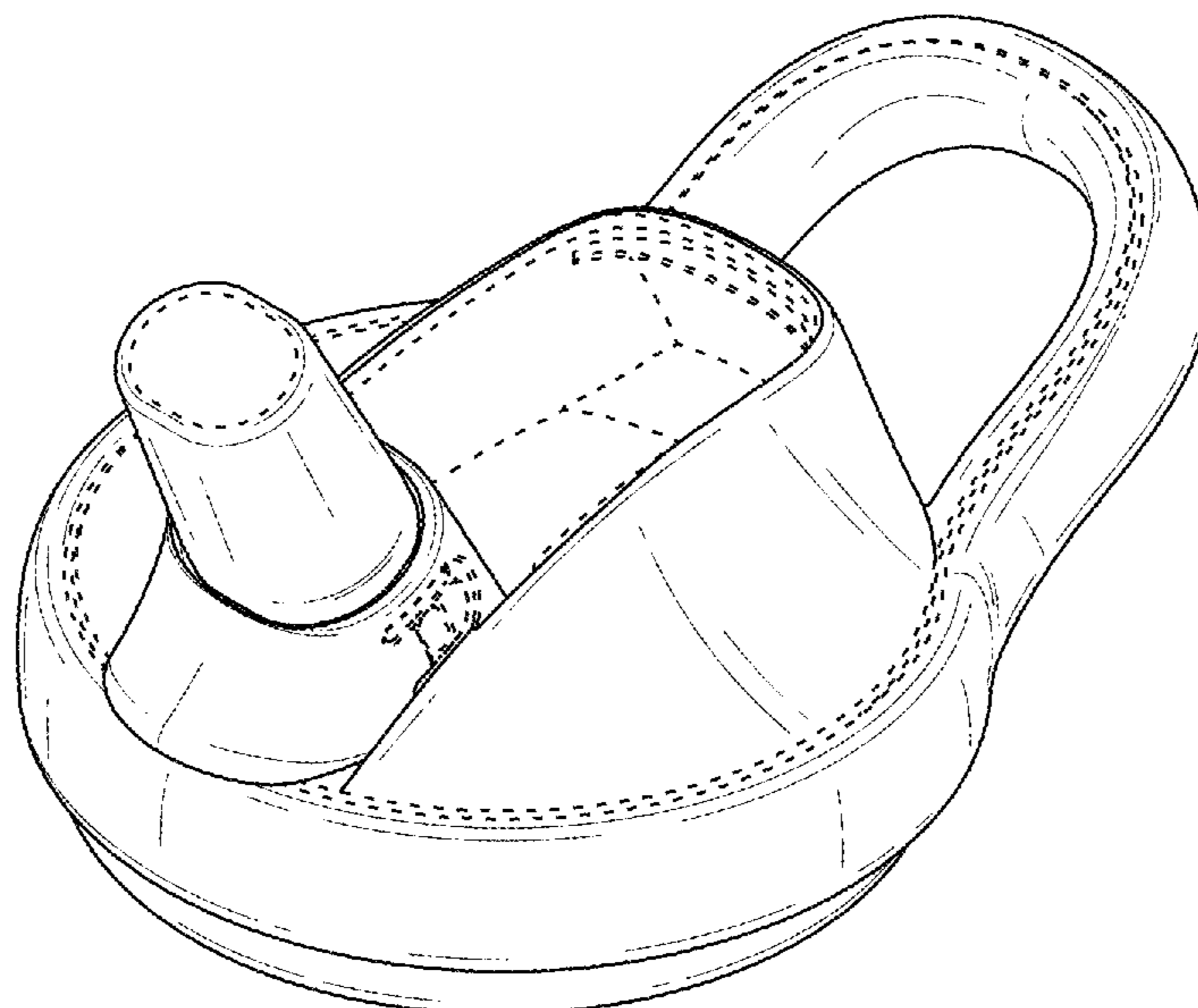
FIG. 1 is a front, top isometric view of a container cap showing my new design.  
FIG. 2 is a rear top isometric view thereof.  
FIG. 3 is a front elevation view thereof.  
FIG. 4 is a rear elevation view thereof.  
FIG. 5 is a right side elevation view thereof.  
FIG. 6 is a left side elevation view thereof.  
FIG. 7 is a top plan view thereof.  
FIG. 8 is a bottom plan view thereof.  
FIG. 9 is a front bottom isometric view thereof; and, FIG. 10 is a rear bottom isometric view thereof.  
In the drawings, the broken lines depict portions of the container cap that form no part of the claimed design.

(56) **References Cited**

**U.S. PATENT DOCUMENTS**

5,873,478 A \* 2/1999 Sullivan ..... B65D 47/305  
215/389  
6,523,711 B1 \* 2/2003 Hughes ..... A47G 19/2266  
215/308  
D683,581 S \* 6/2013 Archer ..... D7/392.1  
D704,986 S \* 5/2014 Manies ..... D7/392.1  
D720,184 S \* 12/2014 Gilbert ..... D7/300.1  
D811,162 S \* 2/2018 Rane ..... D9/449  
D812,966 S \* 3/2018 Murosky ..... D7/392.1

**1 Claim, 6 Drawing Sheets**



(56)

**References Cited**

OTHER PUBLICATIONS

“Contigo Addison Waterbottle”. Found online May 15, 2020 at amazon.co.uk. Reference dated Jun. 24, 2011. Retrieved from [https://www.amazon.co.uk/...53FFGHY/ref=sr\\_1\\_21?crd=3RSVDAKWD8BN7&dchild=1&keywords=contigo+addison&qid=1589570808&prefix=contigo+add%2Caps%2C226&sr=8-21](https://www.amazon.co.uk/...53FFGHY/ref=sr_1_21?crd=3RSVDAKWD8BN7&dchild=1&keywords=contigo+addison&qid=1589570808&prefix=contigo+add%2Caps%2C226&sr=8-21).\*

“Unibos Flip Straw Water Bottle”. Found online Jan. 3, 2020 at amazon.co.uk. Reference dated Apr. 25, 2015. Retrieved from [https://www.amazon.co.uk/Unibos-Tritan-Drinks-Hydration-Cycling/dp/B00WODRMZC/ref=sr\\_1\\_149?dchild=1&keywords=STRAW+bottle&qid=1578082044&sr=8-149](https://www.amazon.co.uk/Unibos-Tritan-Drinks-Hydration-Cycling/dp/B00WODRMZC/ref=sr_1_149?dchild=1&keywords=STRAW+bottle&qid=1578082044&sr=8-149).\*

\* cited by examiner

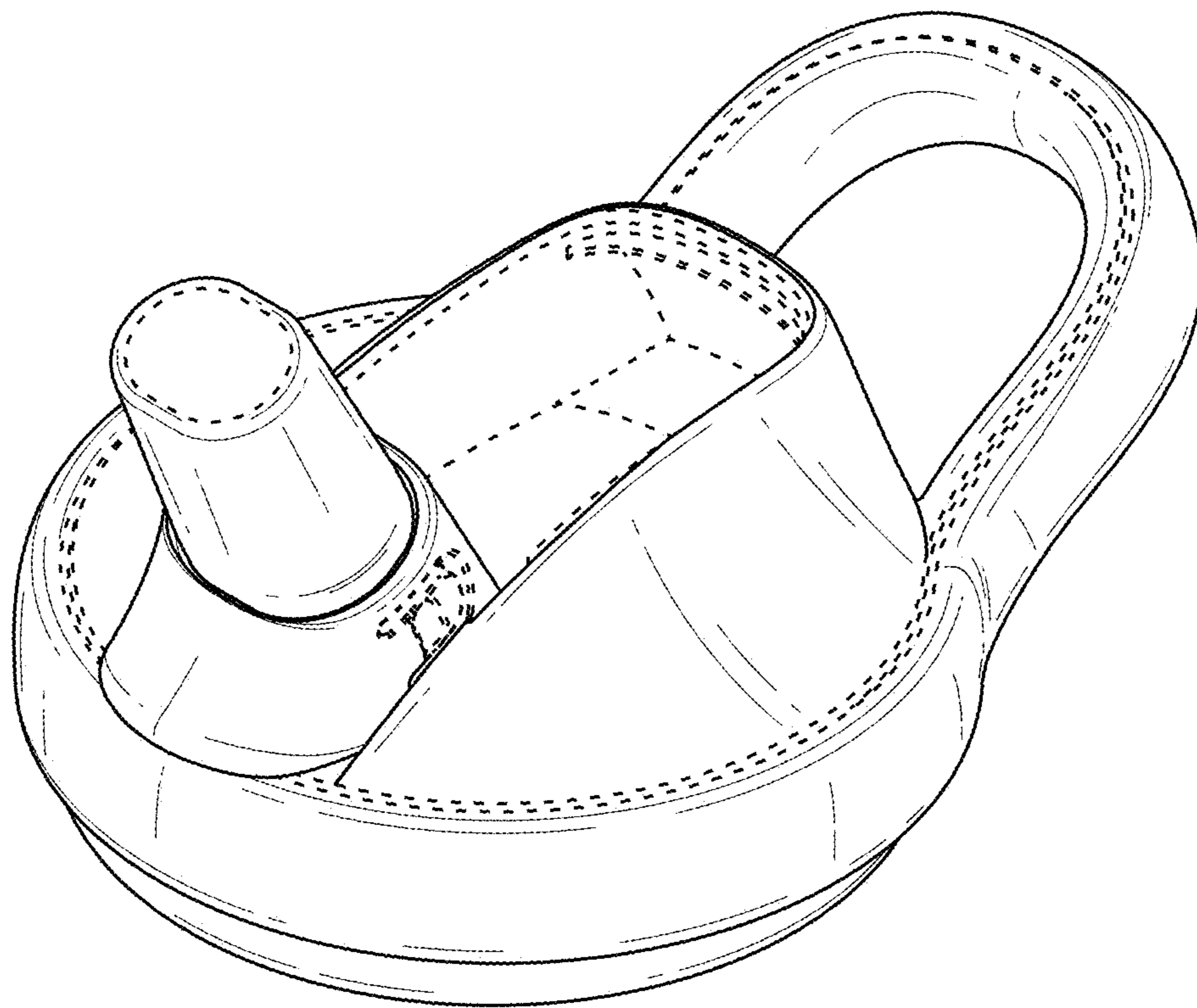


FIG. 1

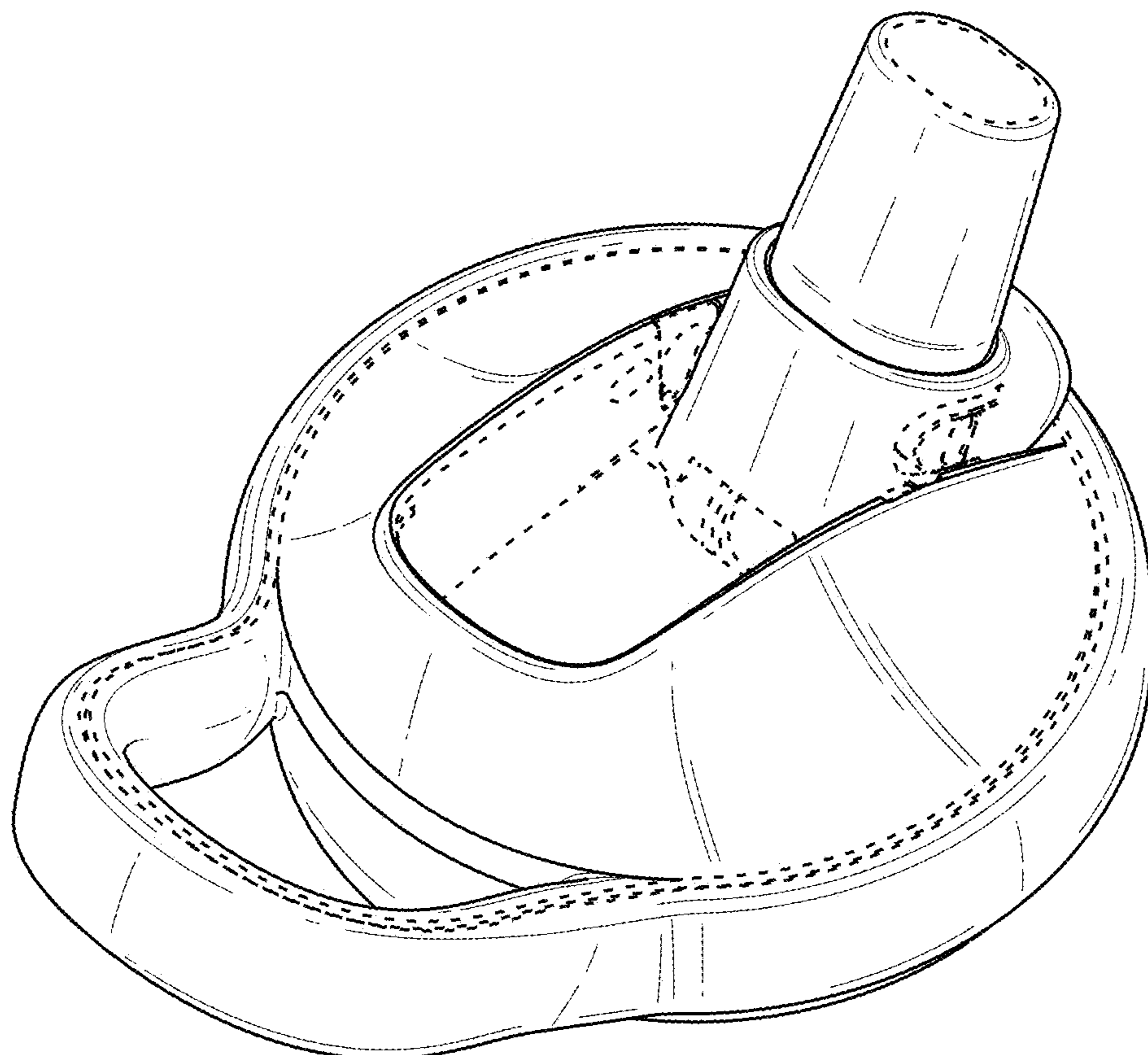


FIG. 2

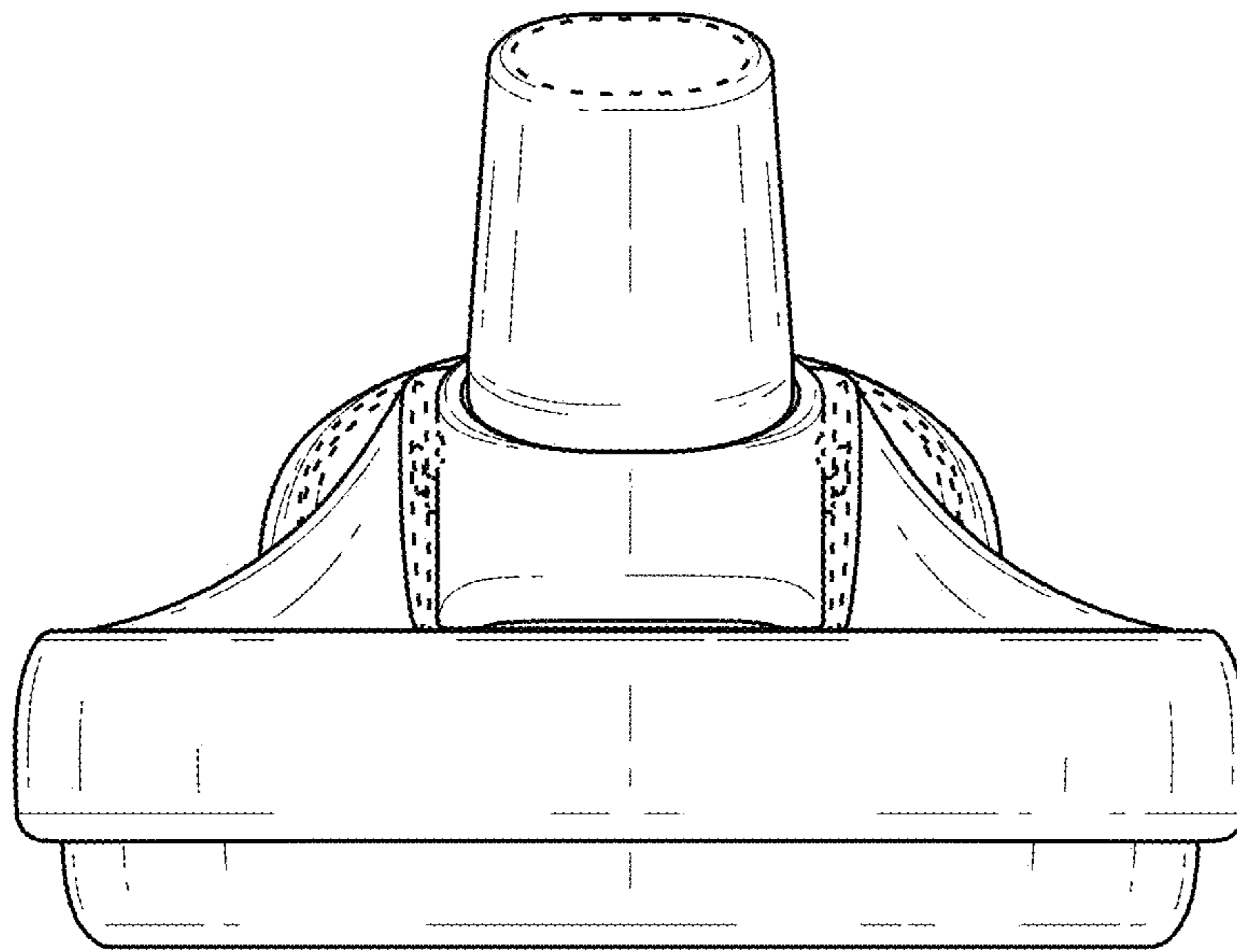


FIG. 3

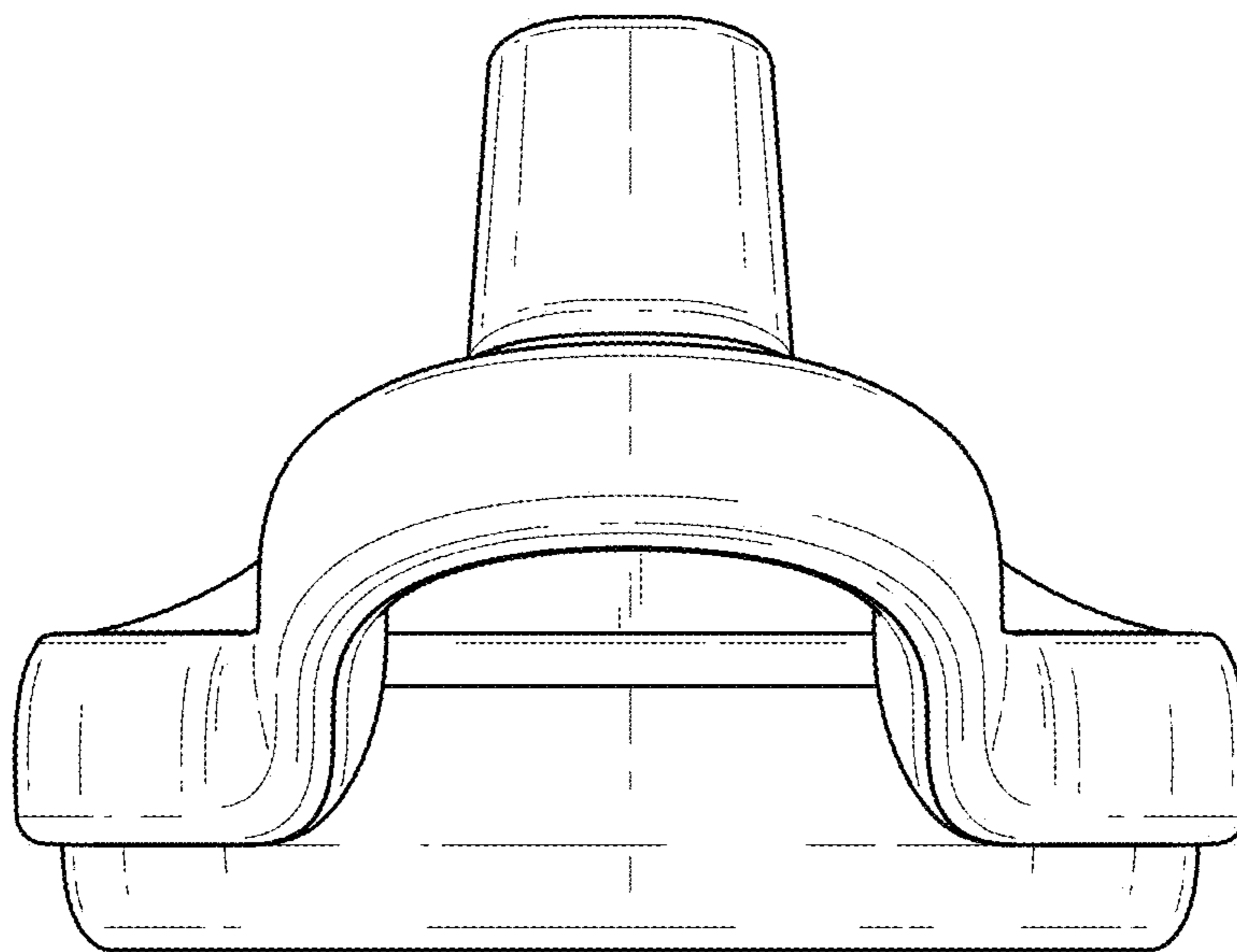


FIG. 4

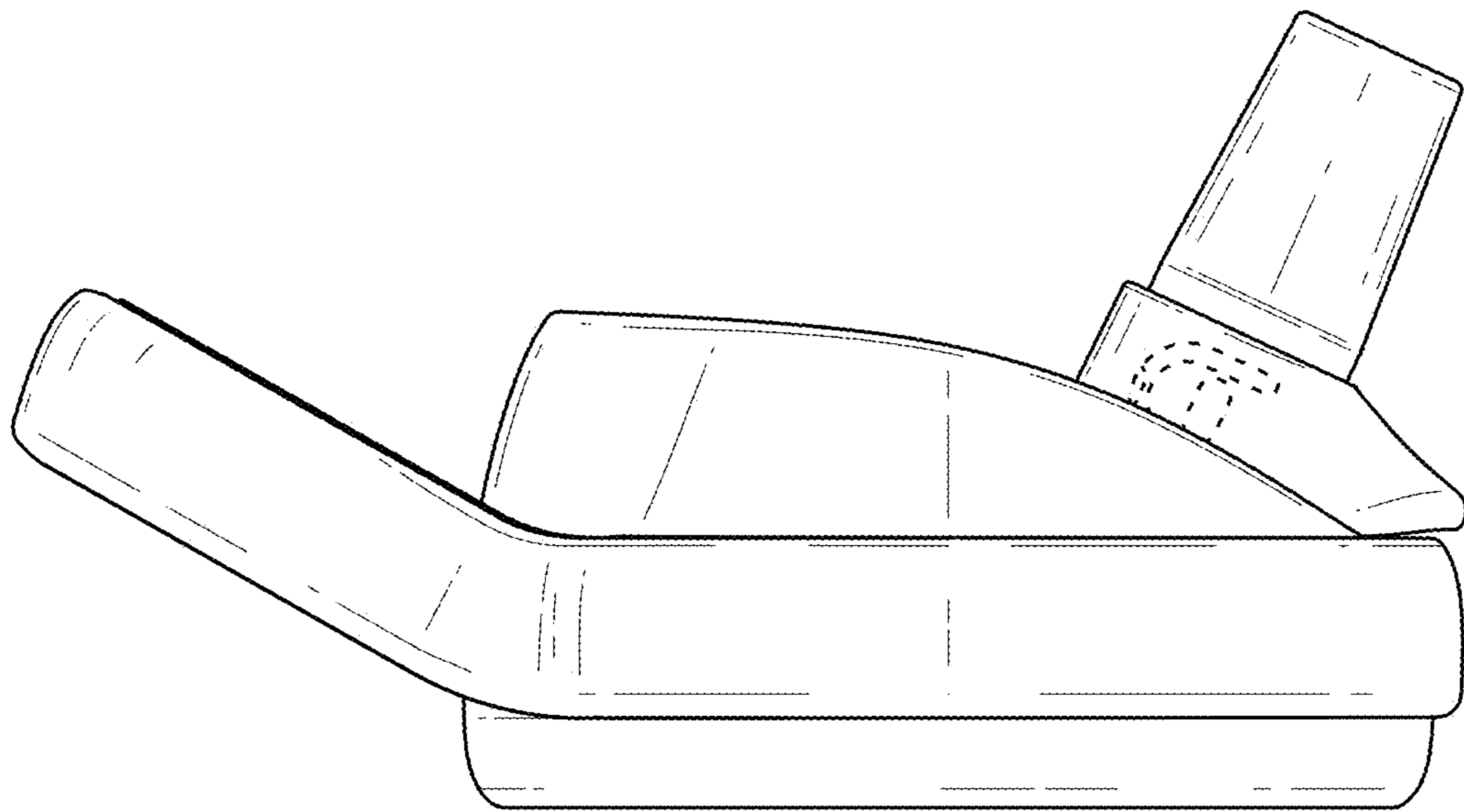


FIG. 5

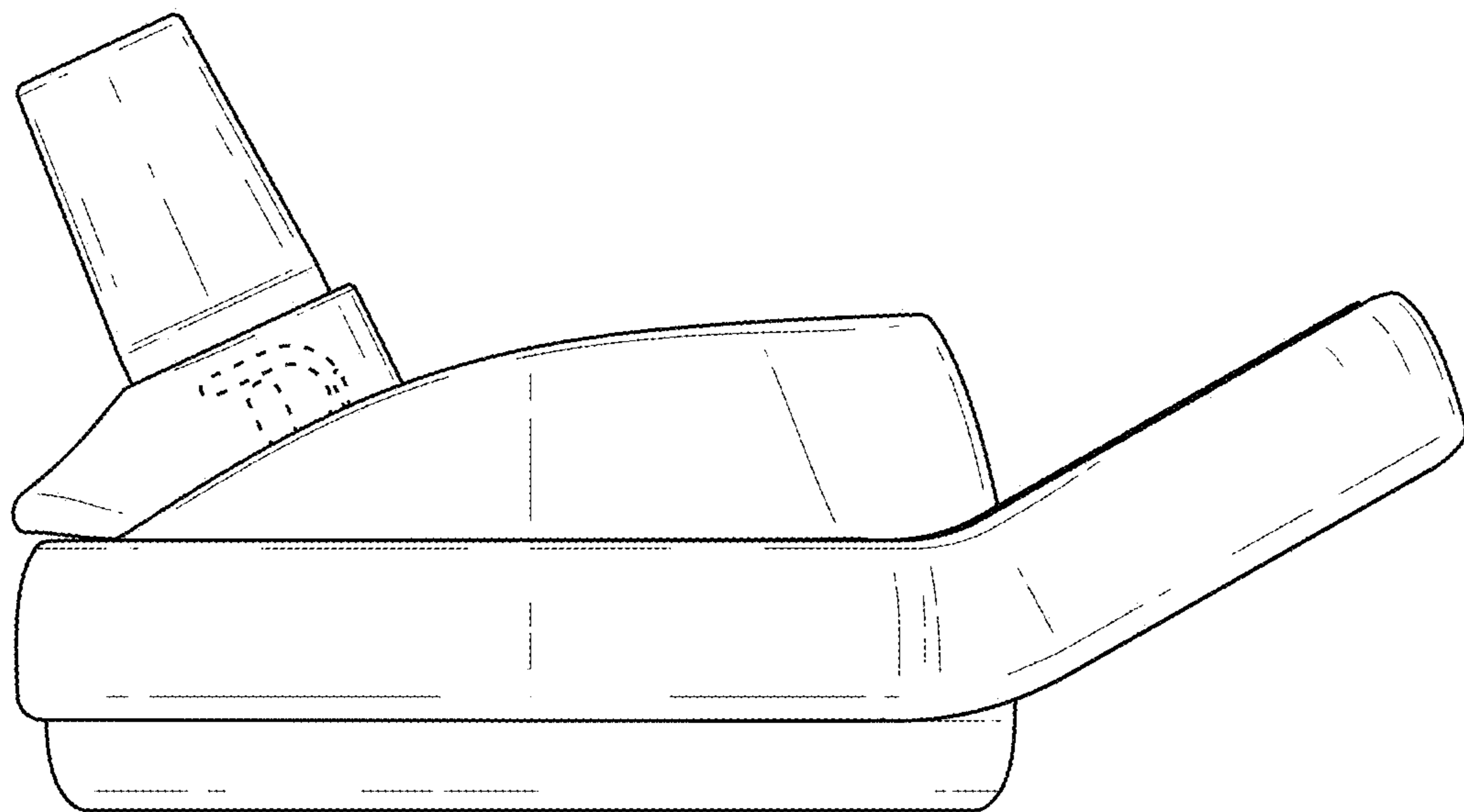


FIG. 6

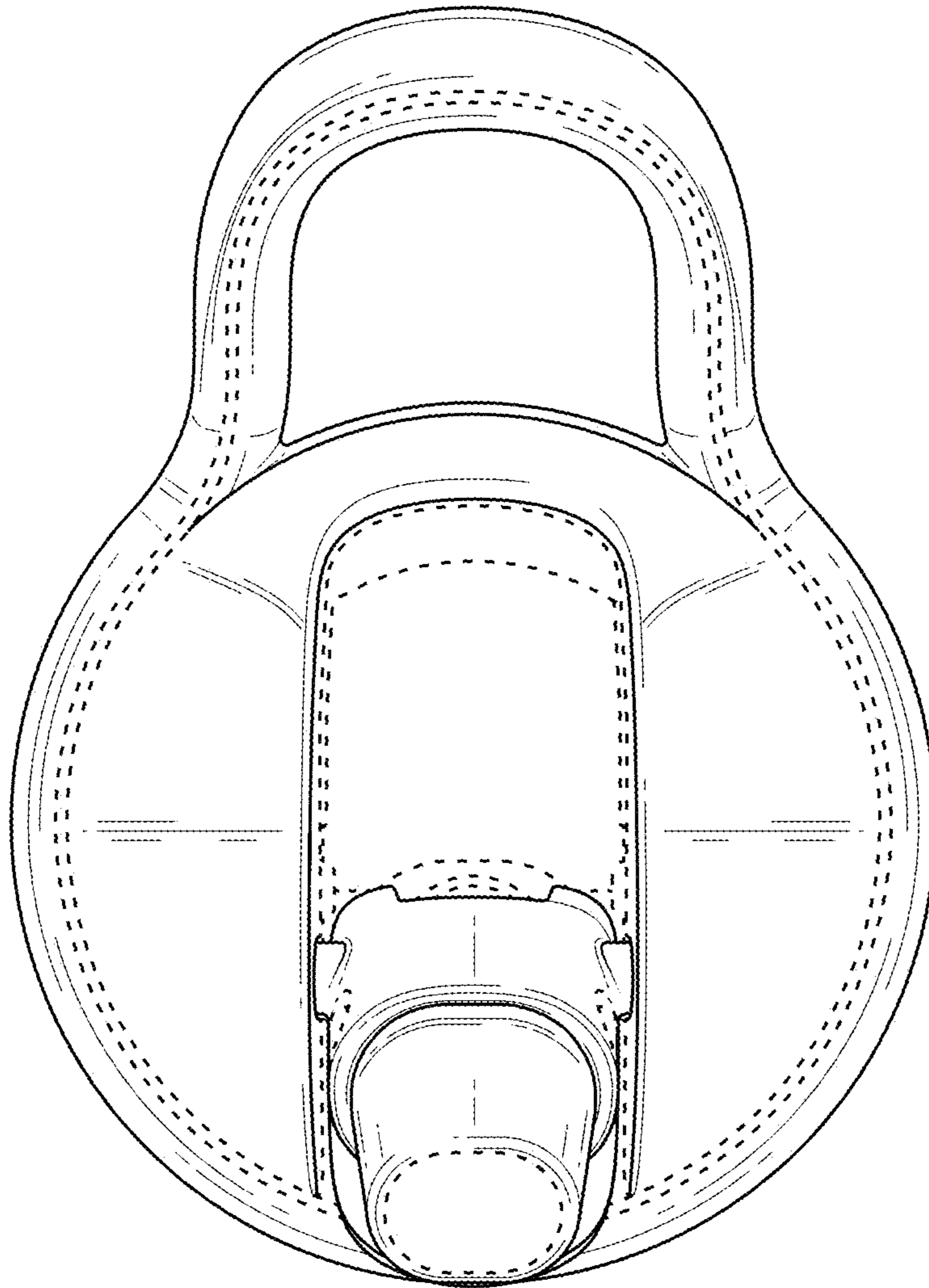


FIG. 7

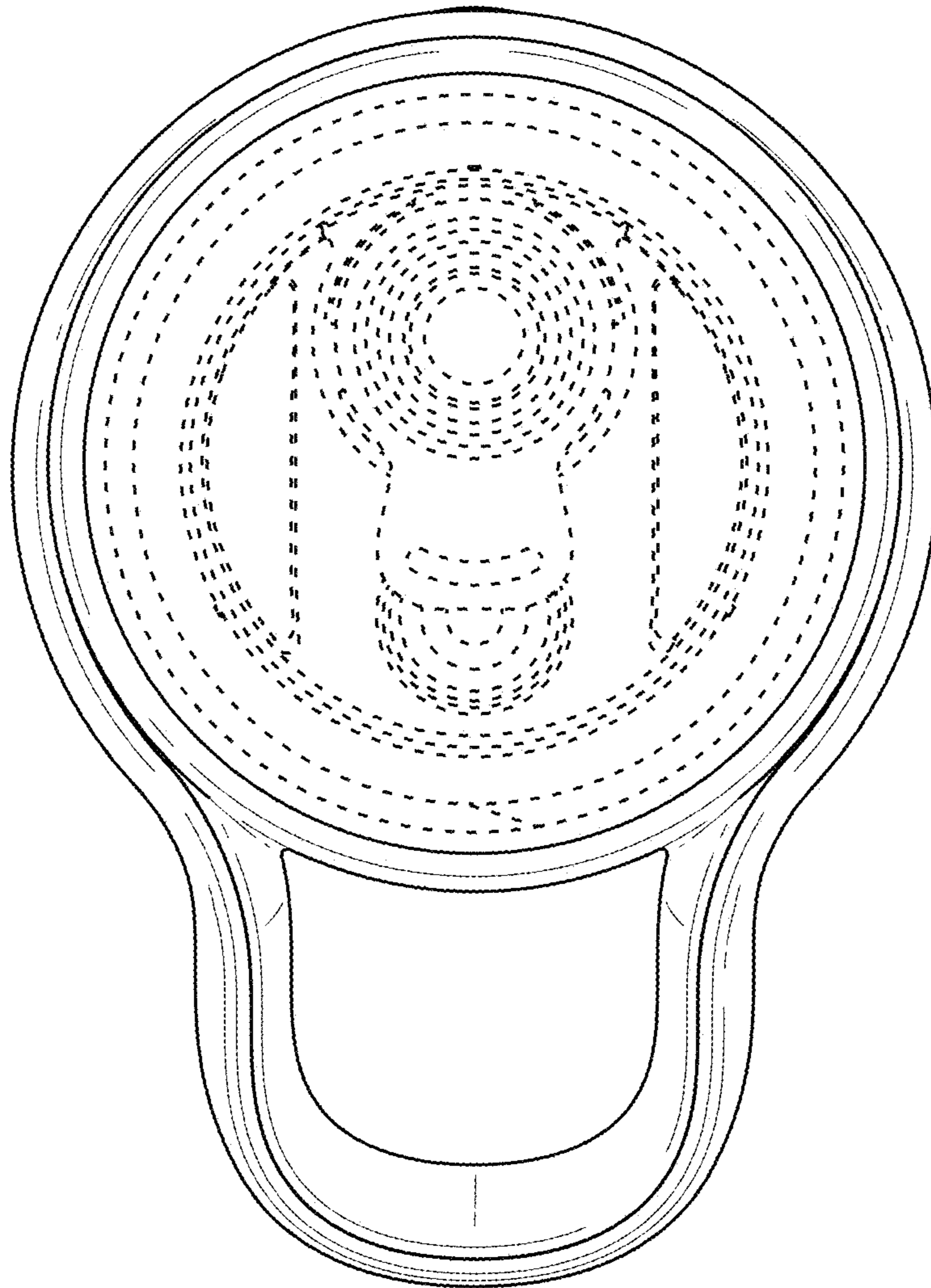


FIG. 8

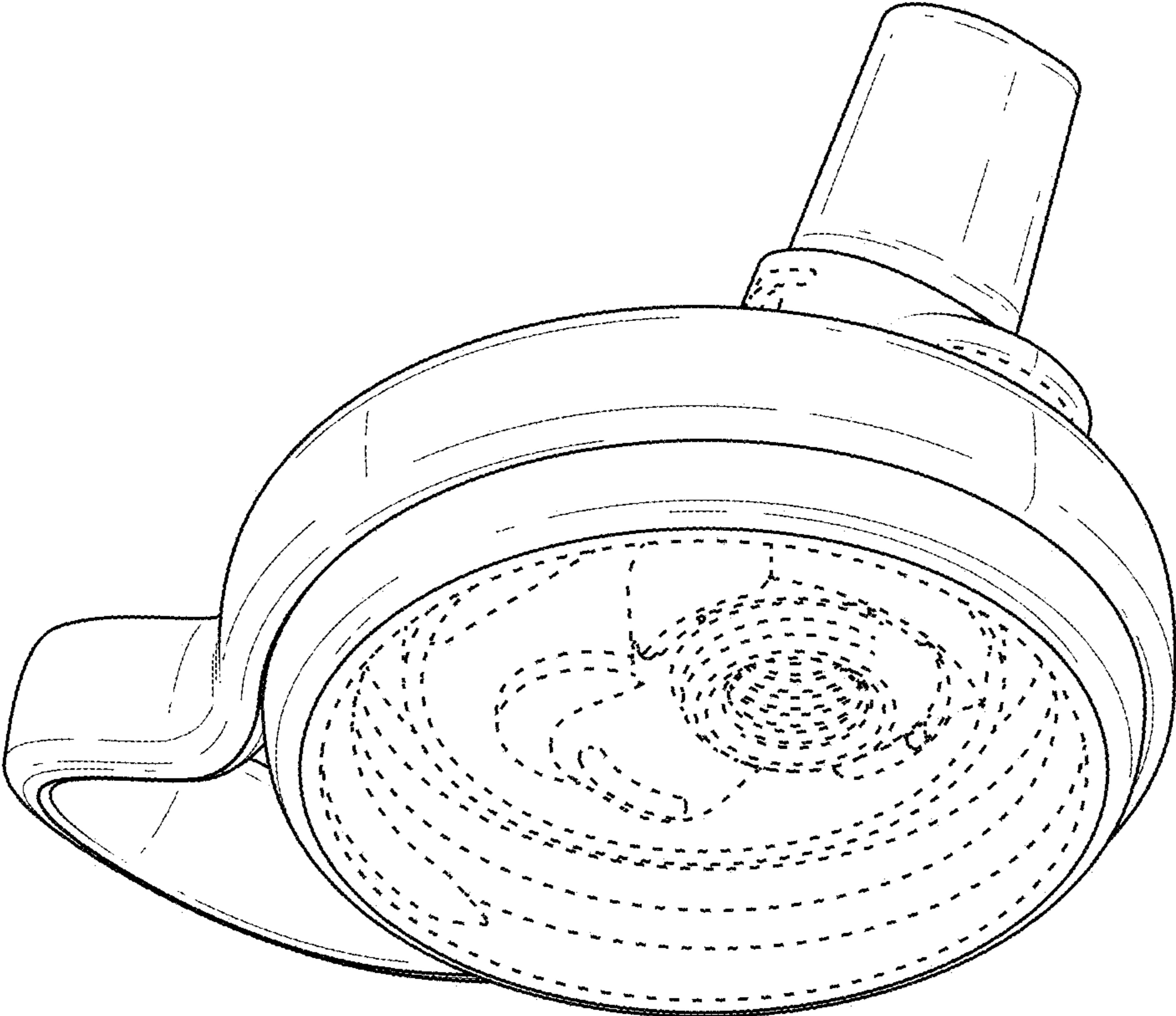


FIG. 9

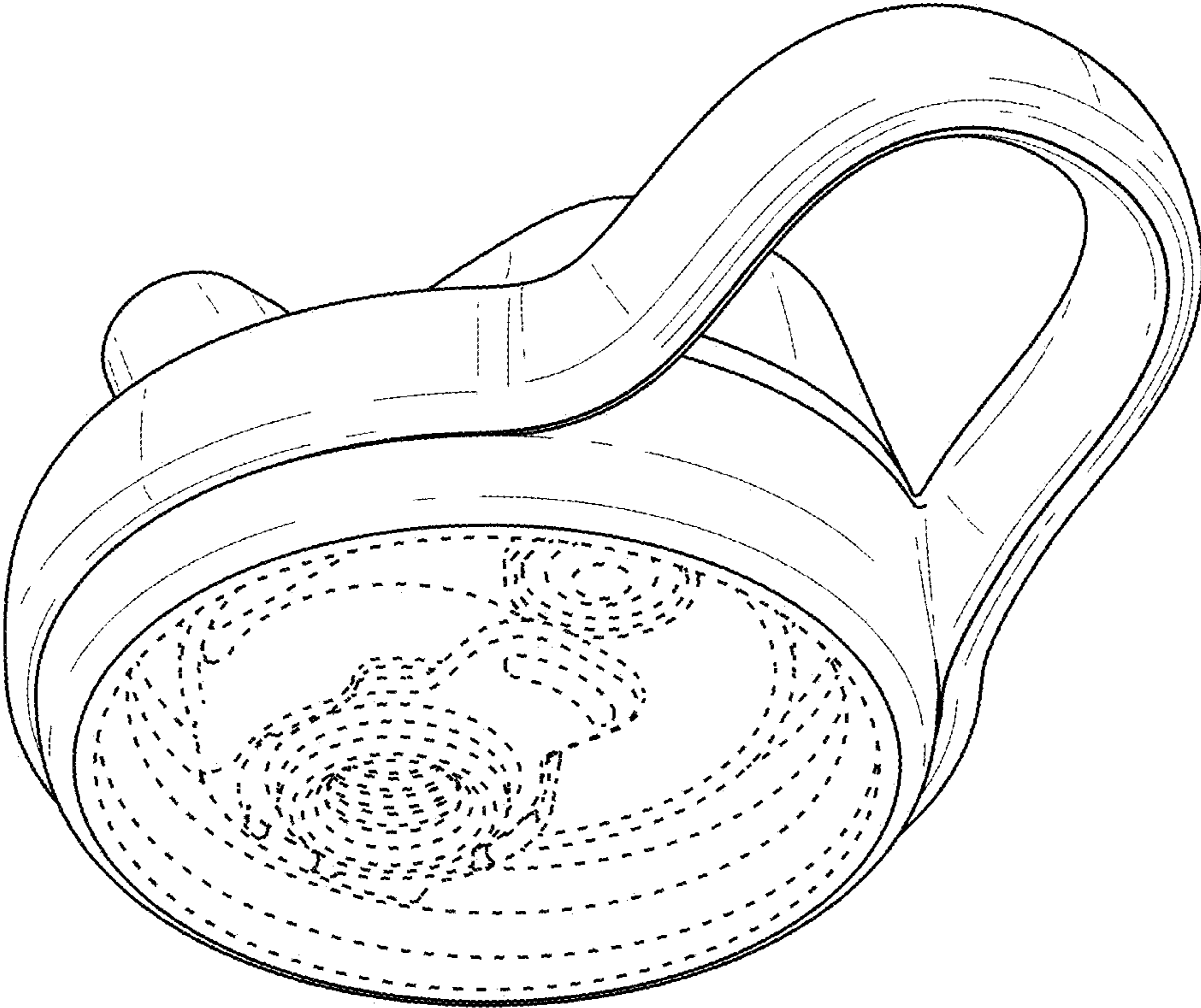


FIG. 10