



US00D942210S

(12) **United States Design Patent**
Wang et al.

(10) **Patent No.:** **US D942,210 S**
(45) **Date of Patent:** **** Feb. 1, 2022**

- (54) **STRAW LID WITH HANDLE**
- (71) Applicant: **TIANJIN HONGHONG HUOHUO TECHNOLOGY CO., LTD.**, Tianjin (CN)
- (72) Inventors: **Huabo Wang**, Shijiazhuang (CN); **Daohai Yang**, Xingren (CN); **Xiaogeng Zhu**, Yongkang (CN)
- (73) Assignee: **TIANJIN HONGHONG HUOHUO TECHNOLOGY CO., LTD.**, Tianjin (CN)
- (**) Term: **15 Years**
- (21) Appl. No.: **29/749,309**
- (22) Filed: **Sep. 4, 2020**
- (51) **LOC (13) Cl.** **09-07**
- (52) **U.S. Cl.**
USPC **D7/392.1; D9/443; D7/396.2**
- (58) **Field of Classification Search**
USPC D9/435, 439, 440, 442-449, 450, 454, D9/531, 682-694, 723; D7/321, 391, D7/392, 392.1, 396.2, 507, 509-511, 523, D7/608, 900; D6/515
CPC B65D 83/205; B65D 83/206; B65D 83/40; B65D 2543/00046; A47G 19/2272
See application file for complete search history.

(56) **References Cited**

U.S. PATENT DOCUMENTS

D571,665 S *	6/2008	Sanders	D9/719
D620,357 S *	7/2010	Jewett	D9/443
D620,358 S *	7/2010	Jewett	D9/454
D672,238 S *	12/2012	Aziz	D9/443
D672,609 S *	12/2012	Aziz	D7/510
D700,802 S *	3/2014	Miller	D7/392.1
D721,276 S *	1/2015	Herbst	D9/449

D724,385 S *	3/2015	Hurley	D7/511
D790,920 S *	7/2017	Goodwin	D7/510
D796,901 S *	9/2017	Pisarevsky	D7/510
D802,993 S *	11/2017	Joseph	D7/392.1
D804,903 S *	12/2017	Mason	D7/510
D806,468 S *	1/2018	Goodwin	D7/392.1
D811,818 S *	3/2018	Wu	D7/510
D812,428 S *	3/2018	Wu	D7/510
D814,855 S *	4/2018	Hammer	D7/392.1
D832,650 S *	11/2018	Diebel	D7/511
D851,996 S *	6/2019	Umholtz	D7/511
D855,386 S *	8/2019	Tammen	D7/391
D856,072 S *	8/2019	Barber	D7/396.2
D856,082 S *	8/2019	Yao	D7/507
D859,998 S *	9/2019	Lee	D9/503
D861,420 S *	10/2019	Barber	D7/396.2
D862,228 S *	10/2019	Yao	D9/443
D862,985 S *	10/2019	Backs	D7/511
D864,717 S *	10/2019	Kim	D9/446
10,455,959 B2 *	10/2019	Coon	B65D 47/066

(Continued)

Primary Examiner — Brett Miller

Assistant Examiner — Rani J Abdallah

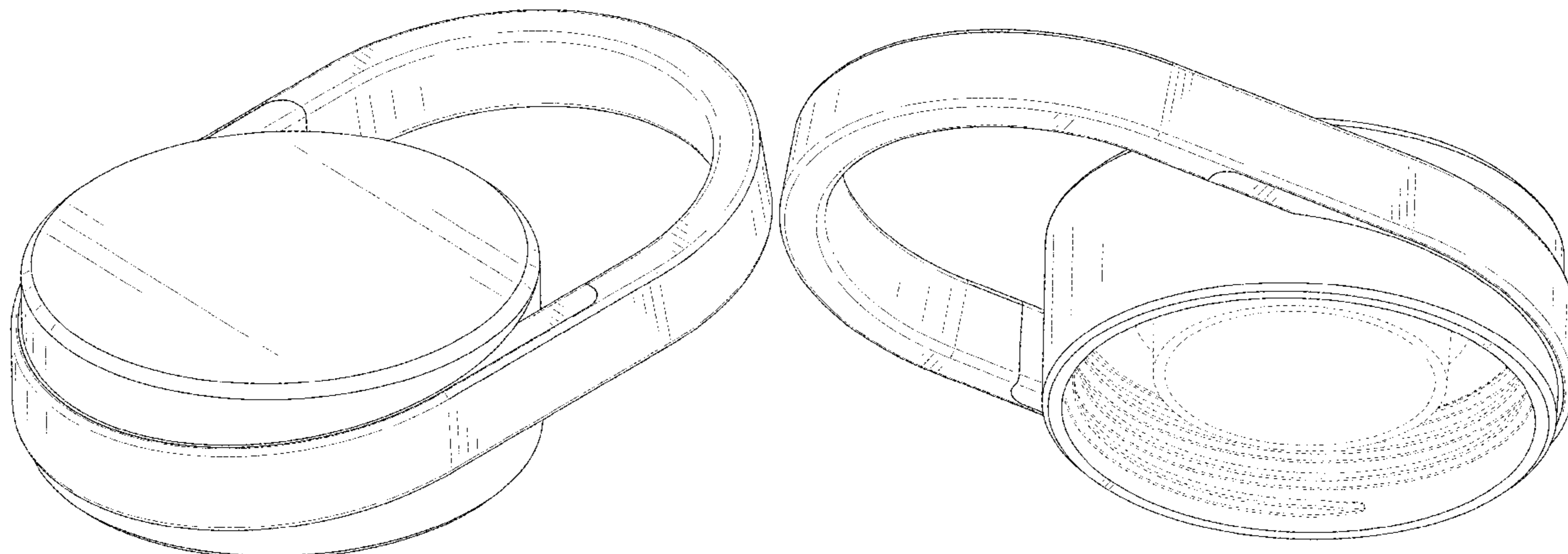
(57) **CLAIM**

The ornamental design for a straw lid with handle, as shown and described.

DESCRIPTION

FIG. 1 is a perspective view of a straw lid with handle showing my new design;
 FIG. 2 is another perspective view thereof;
 FIG. 3 is a front elevational view thereof;
 FIG. 4 is a rear elevational view thereof;
 FIG. 5 is a left side elevational view thereof;
 FIG. 6 is a right side elevational view thereof;
 FIG. 7 is a top plan view thereof; and,
 FIG. 8 is a bottom plan view thereof.
 The broken lines in the drawings depict portions of the straw lid with handle that form no part of the claimed design.

1 Claim, 8 Drawing Sheets



(56)

References Cited

U.S. PATENT DOCUMENTS

D871,833 S *	1/2020	Farsai	A47G 19/2266	D7/392.1
D877,571 S *	3/2020	Eyal	D7/532	
D885,823 S *	6/2020	Ayres	D7/392	
D885,836 S *	6/2020	Wang	D7/510	
D893,246 S *	8/2020	Monaghan	D7/396.2	
D893,938 S *	8/2020	Kander	D7/392.1	
D894,738 S *	9/2020	Hexemer	D9/454	
D897,760 S *	10/2020	Feng	D7/392.1	
D897,761 S *	10/2020	Zhang	D7/392.1	
D897,763 S *	10/2020	Feng	D7/392.1	
D897,849 S *	10/2020	Hawry	D9/503	
D899,859 S *	10/2020	Jacobsen	D7/511	
D899,860 S *	10/2020	Jacobsen	D7/511	
D900,537 S *	11/2020	Yao	D7/392.1	
D900,611 S *	11/2020	Hewitt	D9/529	
D901,250 S *	11/2020	McCabe	D7/511	
D901,976 S *	11/2020	Sibbert	D7/511	
D904,888 S *	12/2020	Hewitt	D9/529	
D907,959 S *	1/2021	Hao	D7/510	
D908,433 S *	1/2021	Sapire	D7/531	
D908,486 S *	1/2021	Marantis	D9/439	
D908,487 S *	1/2021	Xia	D9/439	
D911,099 S *	2/2021	Volkoff	D7/392.1	
D911,100 S *	2/2021	Chen	D7/392.1	
D911,771 S *	3/2021	Zhang	D7/392.1	
D911,772 S *	3/2021	Xie	D7/392.1	
D915,820 S *	4/2021	Ni	D7/392.1	
D915,821 S *	4/2021	Ludolph	D7/396.2	
D922,136 S *	6/2021	Lin	D7/392.1	
D922,139 S *	6/2021	Lane	D7/396.2	
D923,394 S *	6/2021	Gu	D7/392.1	
D923,396 S *	6/2021	Lin	D7/392.1	
D923,406 S *	6/2021	Tsigounis	D7/507	
D924,624 S *	7/2021	Huang	D7/392.1	
D925,287 S *	7/2021	Gilmore, III	D7/511	
D930,436 S *	9/2021	Paparao	D7/510	
11,172,784 B2 *	11/2021	Pinelli	A47J 41/028	

* cited by examiner

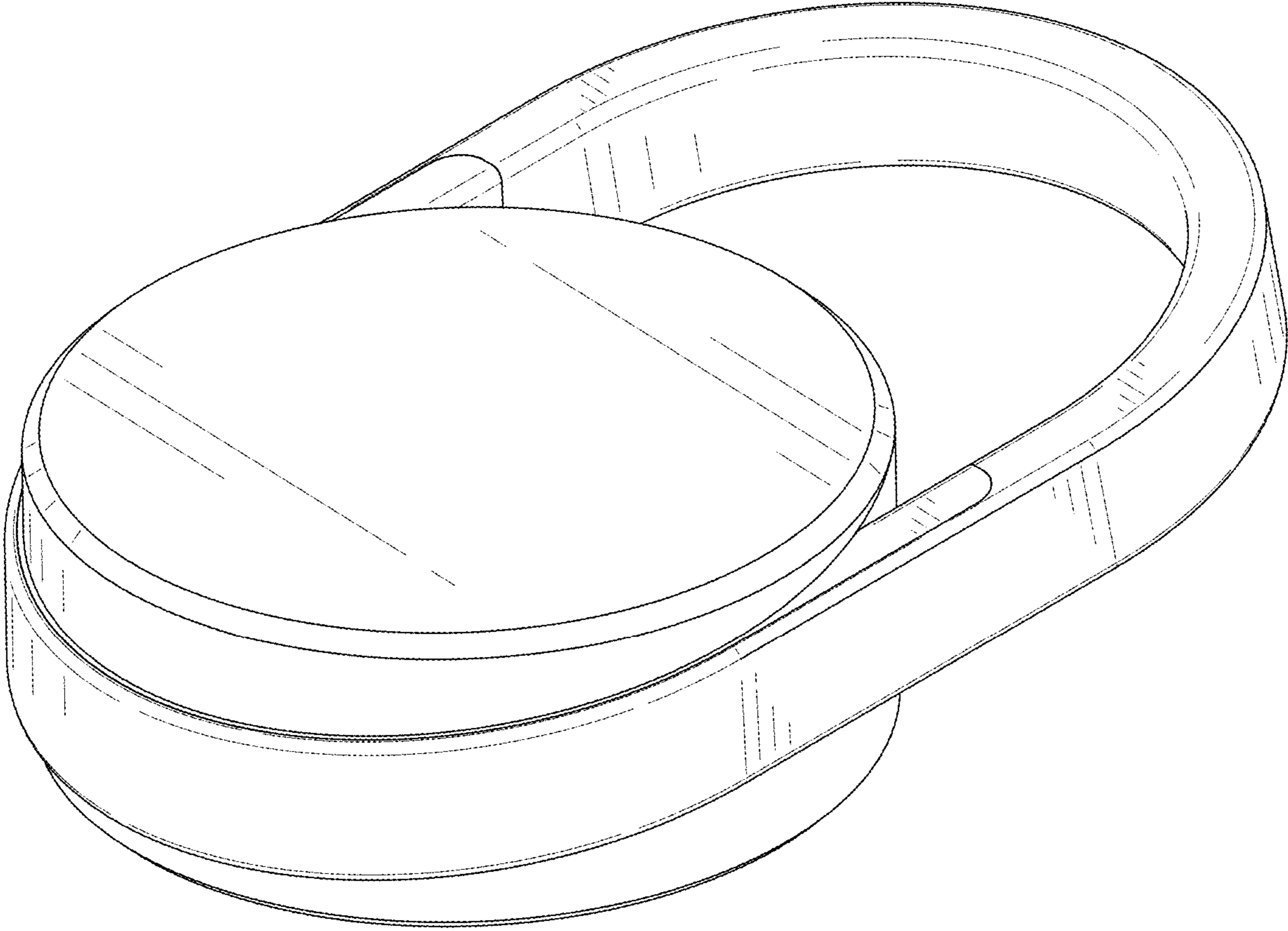


FIG. 1

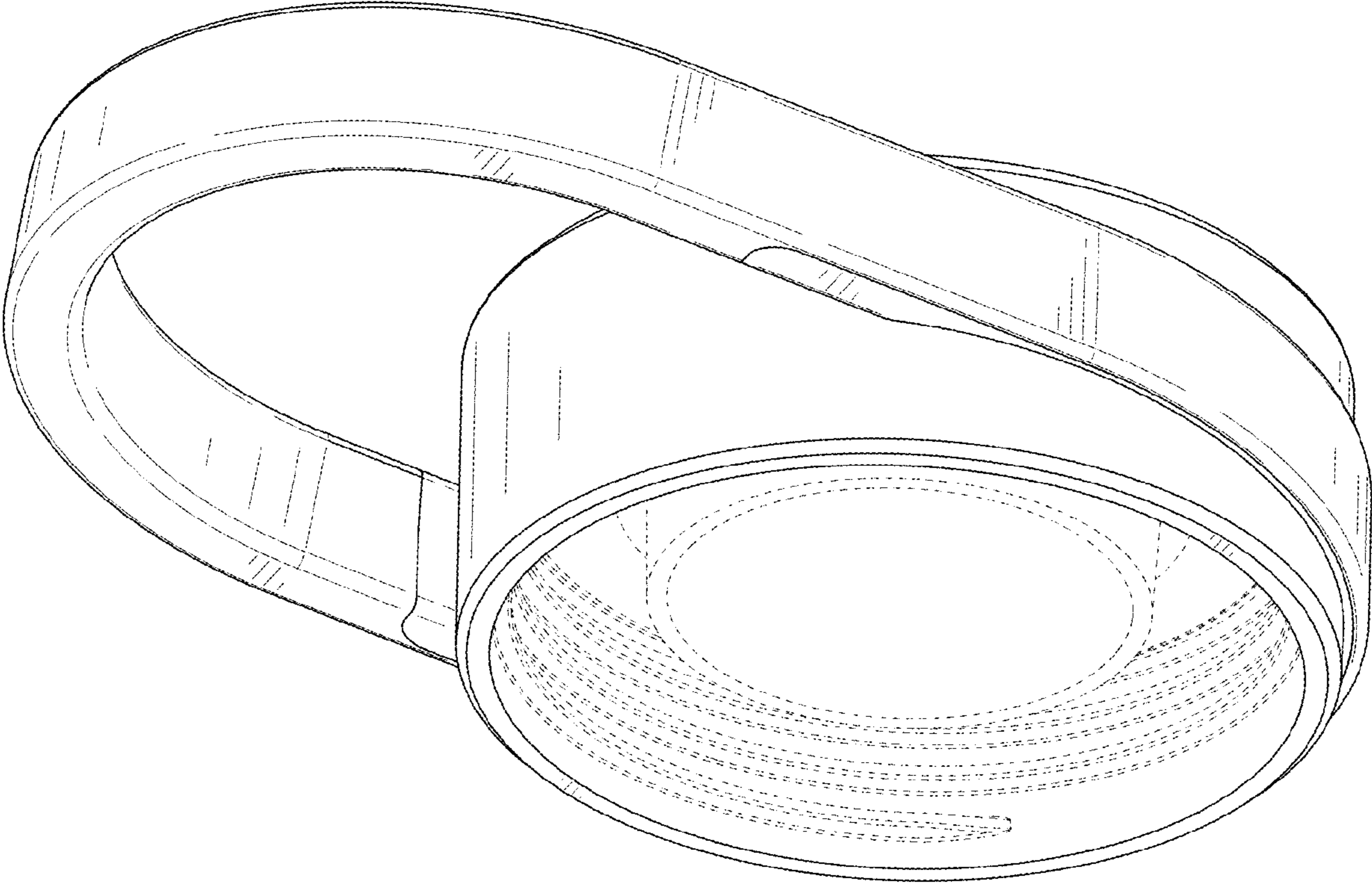


FIG. 2

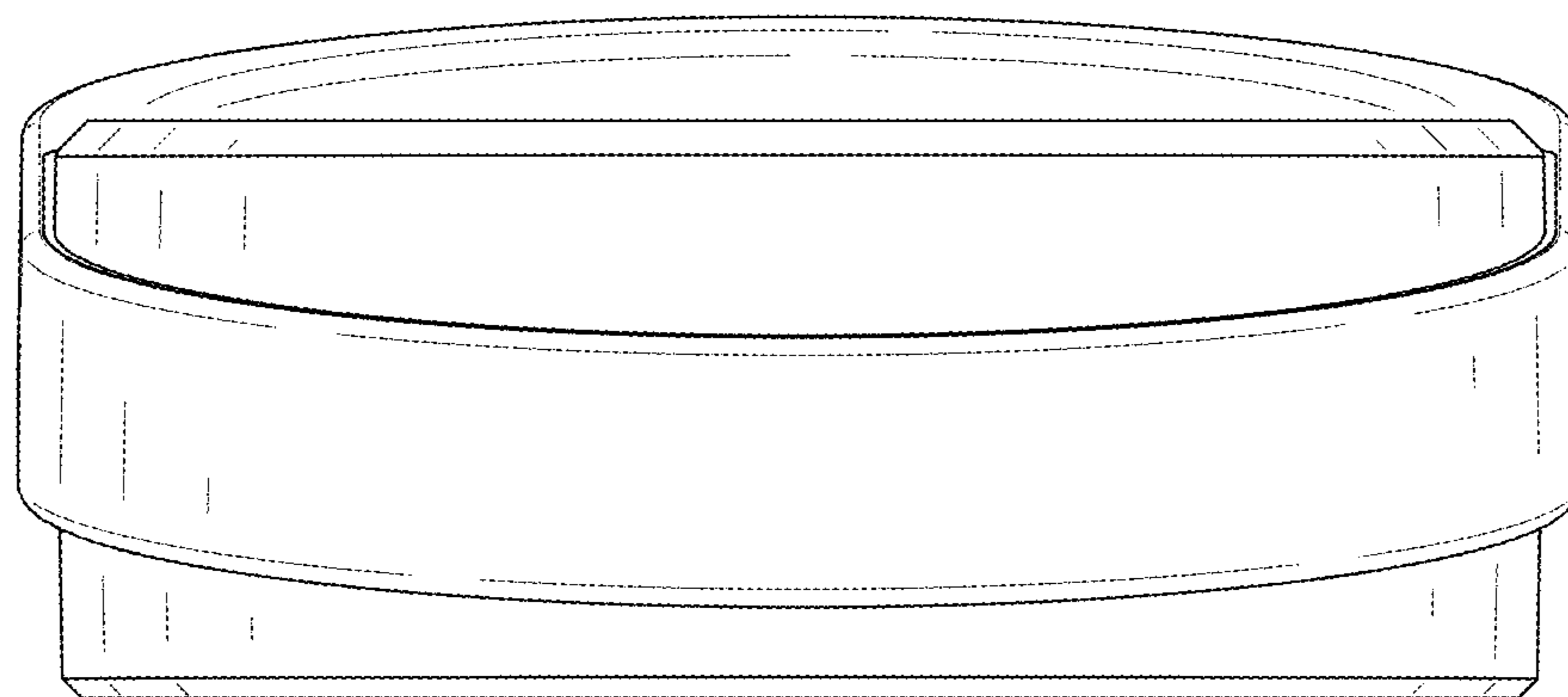


FIG. 3

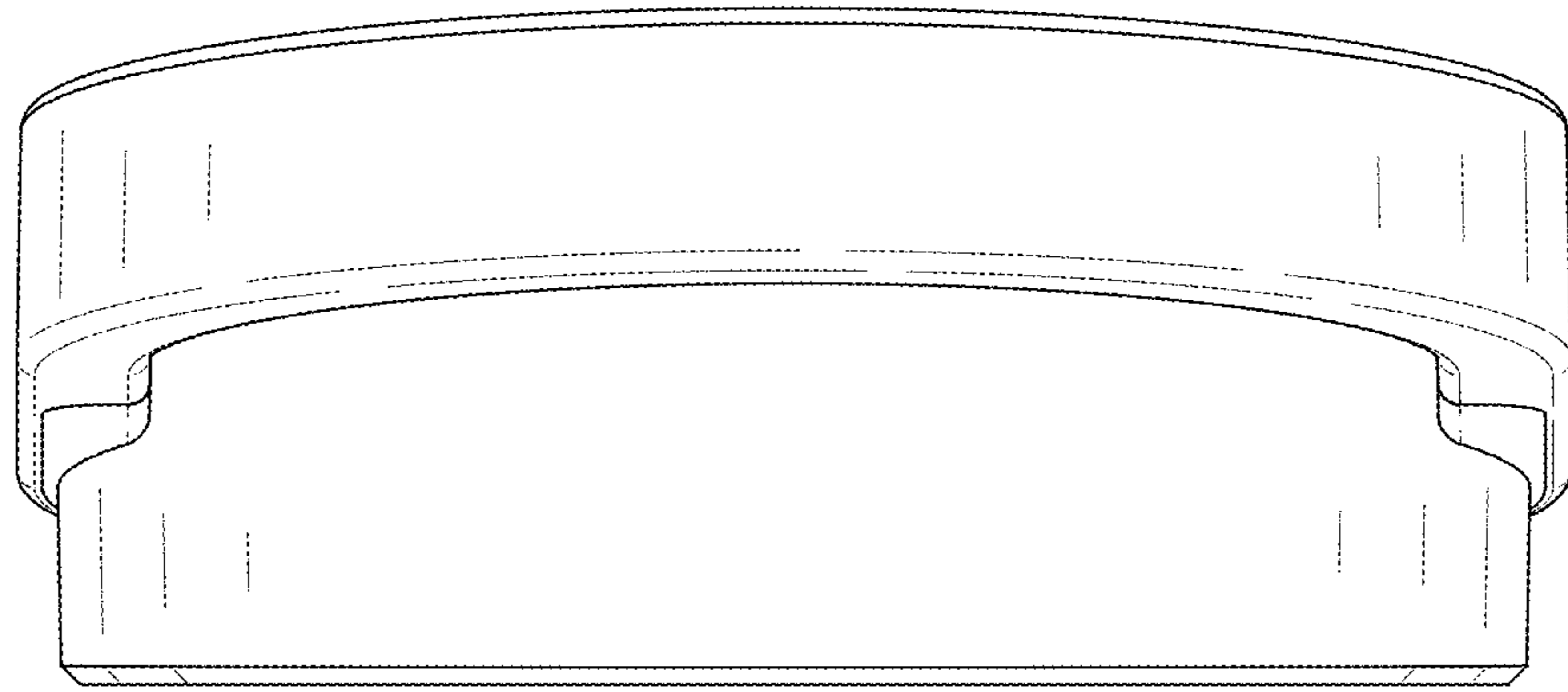


FIG. 4

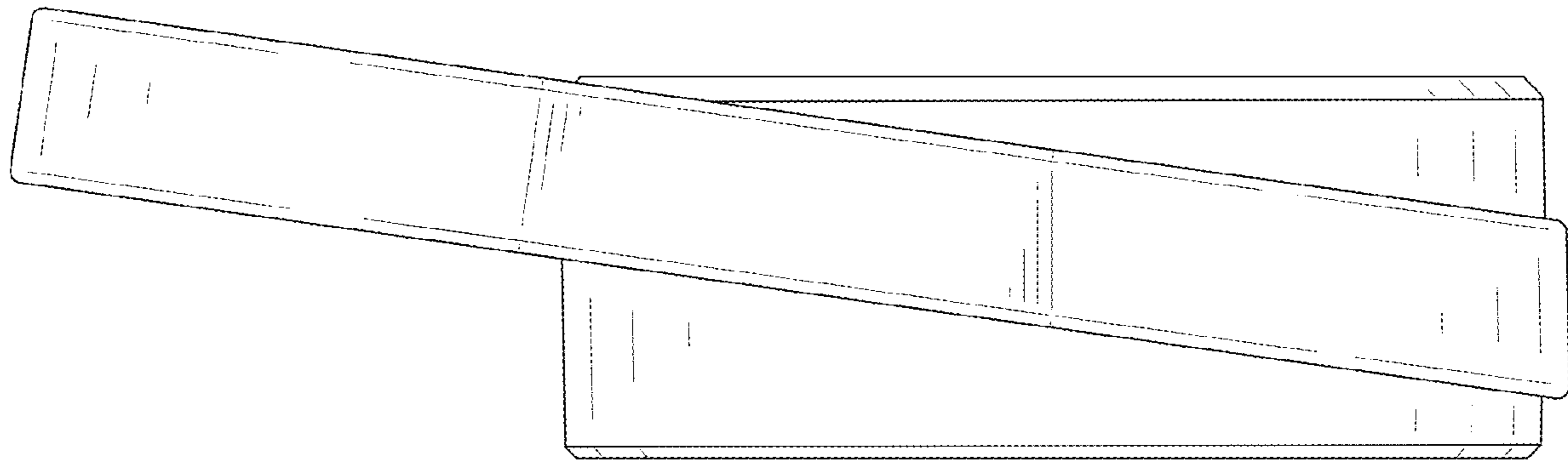


FIG. 5

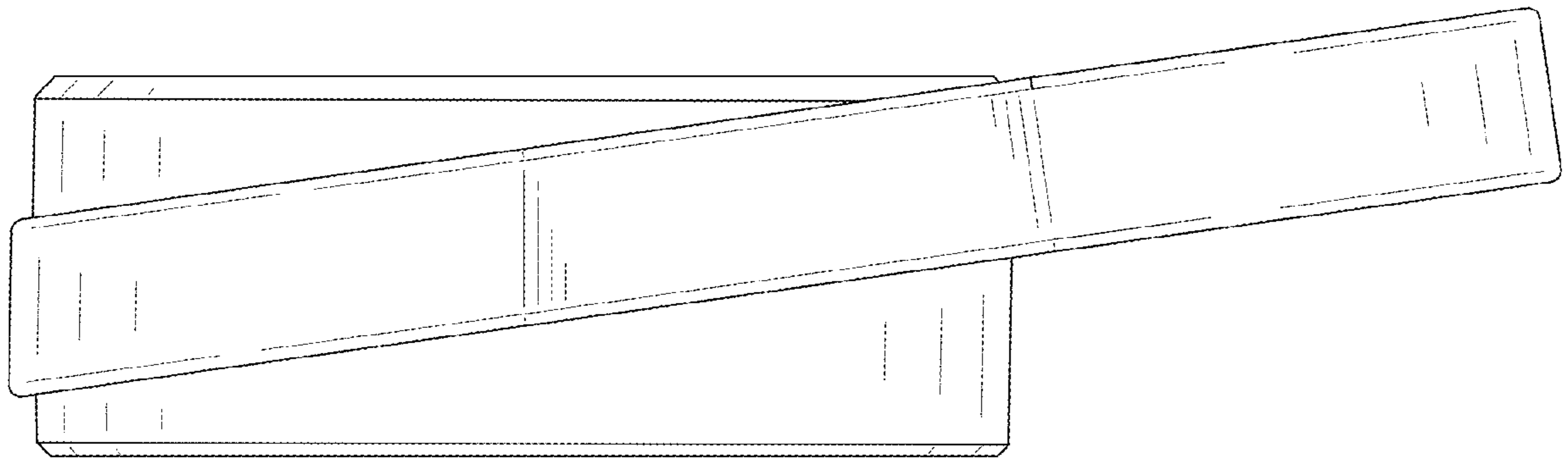


FIG. 6

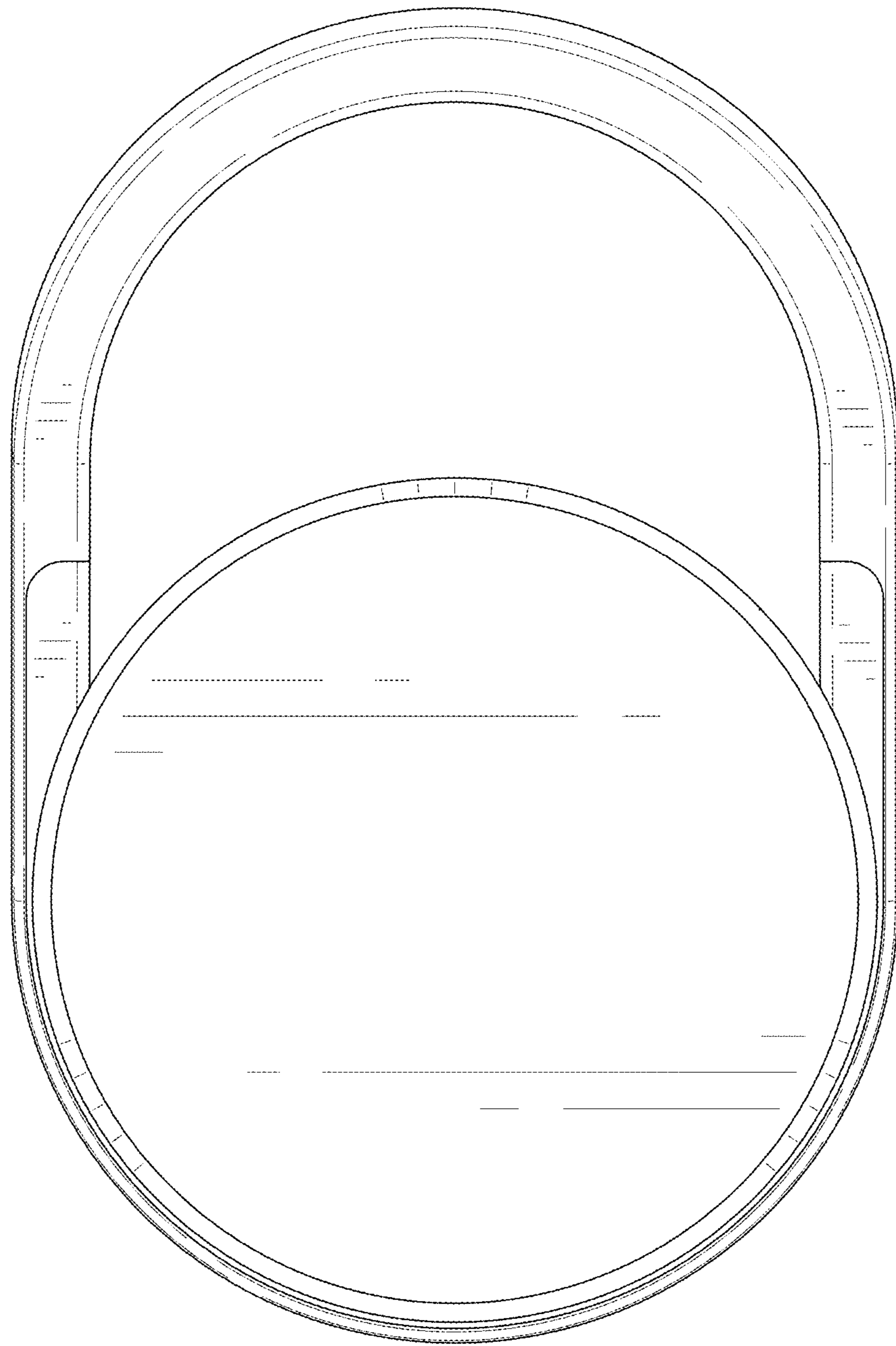


FIG. 7

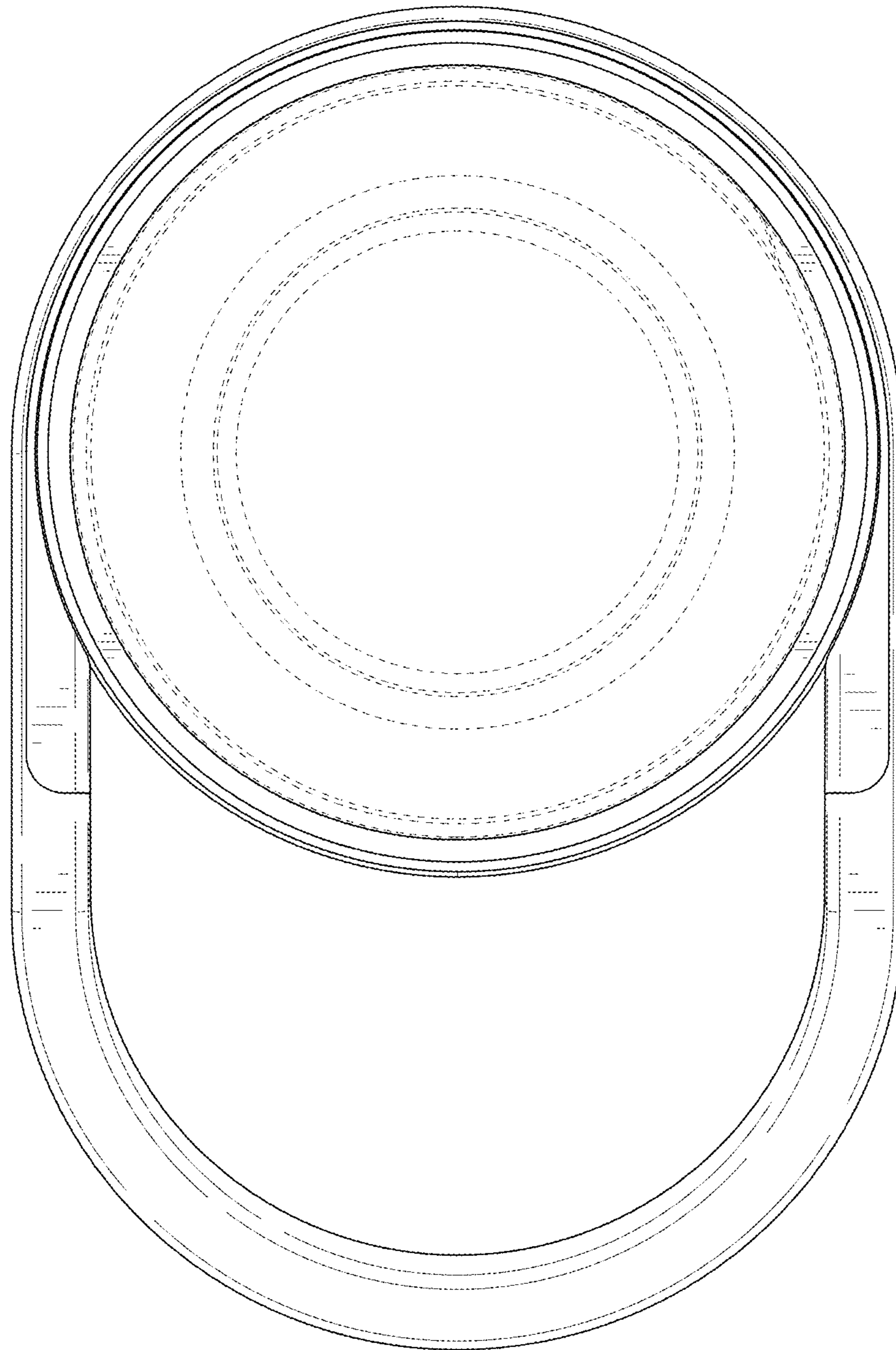


FIG. 8