

US00D942209S

(12) **United States Design Patent**
Hao

(10) **Patent No.:** **US D942,209 S**

(45) **Date of Patent:** **** Feb. 1, 2022**

(54) **BOTTLE CAP**

(71) Applicant: **Junjie Hao**, Guangdong (CN)

(72) Inventor: **Junjie Hao**, Guangdong (CN)

(73) Assignee: **Shenzhen Mlife Household Products Co., Ltd.**, Guangdong (CN)

(**) Term: **15 Years**

(21) Appl. No.: **29/739,117**

(22) Filed: **Jun. 23, 2020**

(51) **LOC (13) Cl.** **09-07**

(52) **U.S. Cl.**

USPC **D7/392.1**; D9/443; D7/396.2

(58) **Field of Classification Search**

USPC D9/439, 440, 442-449, 682, 685, 686,
D9/435, 450, 454; D6/515; D7/507,
D7/509-511, 523, 391, 392, 392.1, 396.2

CPC B65D 83/205; B65D 83/206; B65D 83/40;
B65D 2543/00046; A47G 19/2272

See application file for complete search history.

(56) **References Cited**

U.S. PATENT DOCUMENTS

- D646,919 S * 10/2011 Nilsson B65D 47/148
D7/510
- D739,174 S * 9/2015 Elsaden D7/392.1
- D745,827 S * 12/2015 Sorensen D7/392.1
- D756,702 S * 5/2016 Joseph D7/392.1
- D758,127 S * 6/2016 Zhao D7/392.1
- D779,872 S * 2/2017 Bergstrom D7/392.1
- D780,517 S * 3/2017 Boroski D7/511
- D817,084 S * 5/2018 Hammer D7/392.1
- D824,721 S * 8/2018 Hu D7/392.1
- 10,143,980 B1 * 12/2018 Marko B01F 7/00325
- D850,207 S * 6/2019 Peng D7/510
- D854,880 S * 7/2019 Meyers D7/392.1
- D871,833 S * 1/2020 Farsai A47G 19/2266
D7/392.1
- D878,853 S * 3/2020 Omdahl, II D7/392.1

- D878,855 S * 3/2020 Nucci D7/392.1
- D887,781 S * 6/2020 Bergstrom D7/510
- RE48,195 E * 9/2020 Marquard A45F 3/16
D7/510
- D897,760 S * 10/2020 Feng D7/392.1
- D897,763 S * 10/2020 Feng D7/392.1
- D922,136 S * 6/2021 Lin D7/392.1

(Continued)

FOREIGN PATENT DOCUMENTS

- CN 303081221 * 1/2015
- CN 304985290 * 1/2019

(Continued)

OTHER PUBLICATIONS

Ice Shaker, Feb. 25, 2020, Ice Shake Facebook Post, URL: <https://www.facebook.com/iceshakerbottle/photos/a.1814745055459997/2559258694341959/?type=3&theater> (Year: 2020).*

Primary Examiner — Brett Miller

Assistant Examiner — Rani J Abdallah

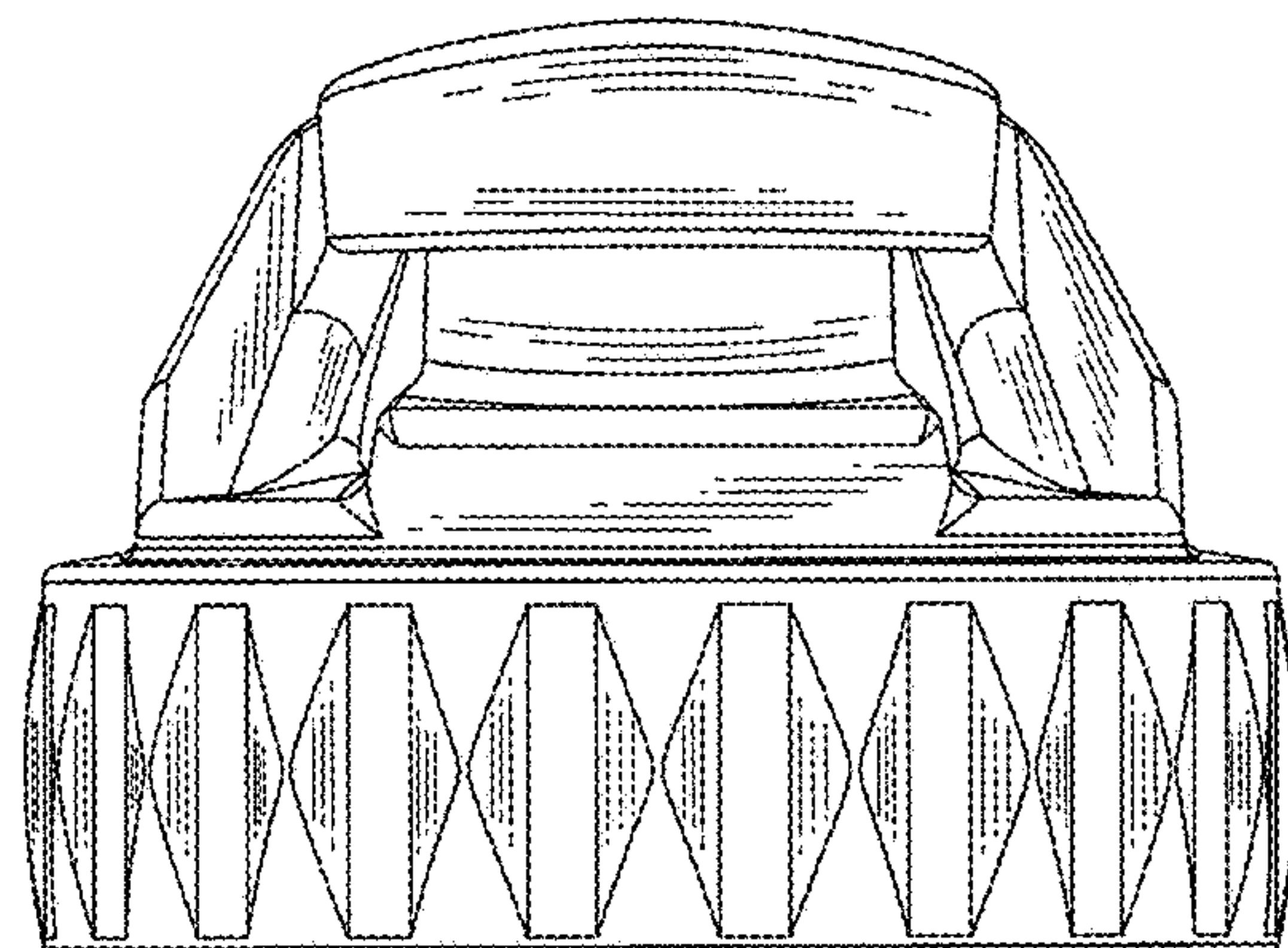
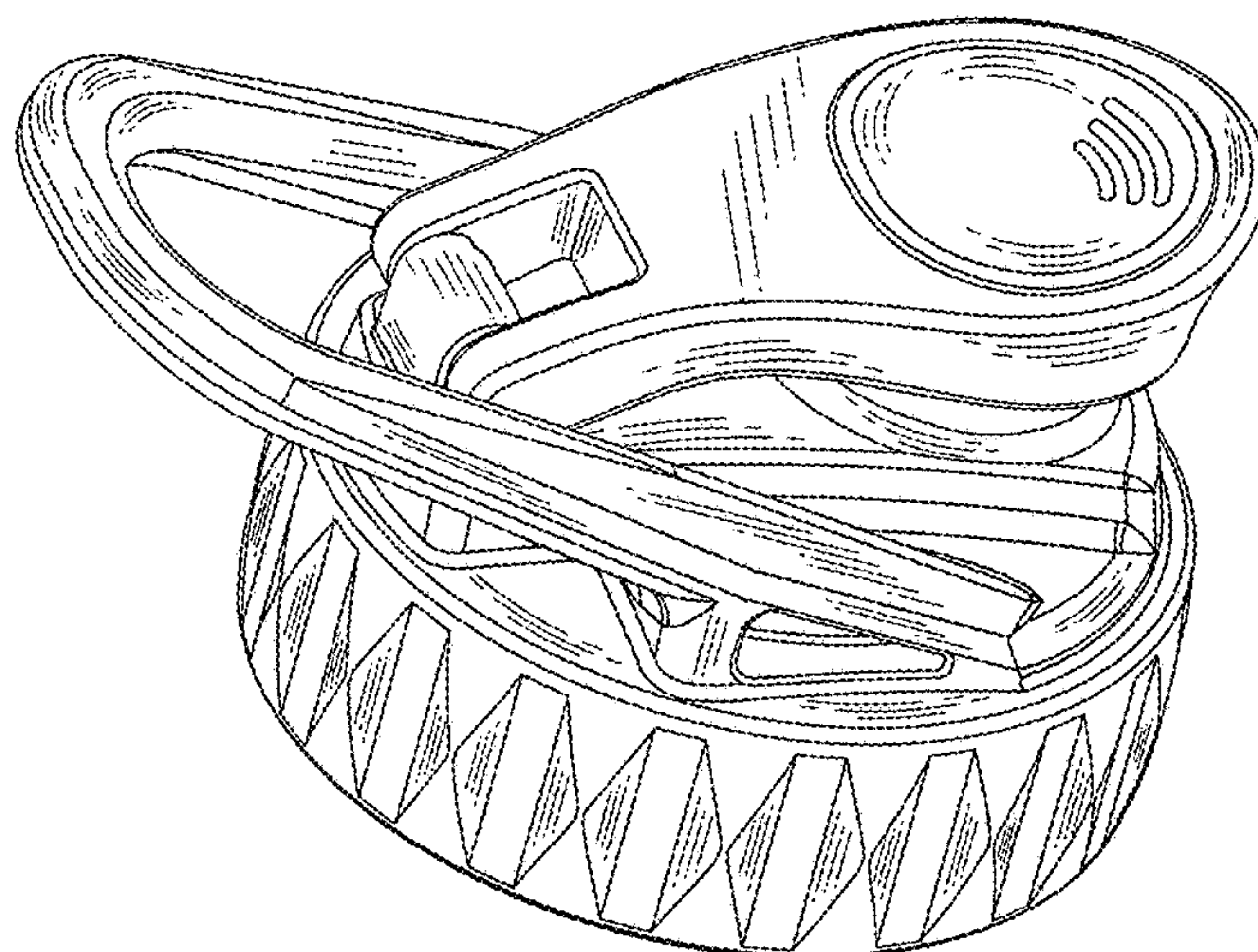
(57) **CLAIM**

The ornamental design for a bottle cap, as shown and described.

DESCRIPTION

FIG. 1 is a left, top and rear perspective view of a bottle cap showing my new design;
FIG. 2 is a bottom perspective view thereof;
FIG. 3 is a front elevation view thereof;
FIG. 4 is a rear elevation view thereof;
FIG. 5 is a left side elevation view thereof;
FIG. 6 is a right side elevation view thereof;
FIG. 7 is a top plan view thereof; and,
FIG. 8 is a bottom plan view thereof.
The broken lines shown illustrate portions of the bottle cap that form no part of the claimed design.

1 Claim, 8 Drawing Sheets



(56)

References Cited

U.S. PATENT DOCUMENTS

D925,275 S * 7/2021 Liu D7/392.1
2010/0181329 A1* 7/2010 Davies B65D 51/242
220/707
2014/0263324 A1* 9/2014 Latham B65D 55/16
220/259.1
2015/0201775 A1* 7/2015 Sorensen A47G 19/2266
222/482
2016/0150914 A1* 6/2016 Waggoner B01F 3/0865
366/130

FOREIGN PATENT DOCUMENTS

CN 305159418 * 5/2019
CN 305341032 * 9/2019
EM 007258884-0001 * 4/2020

* cited by examiner

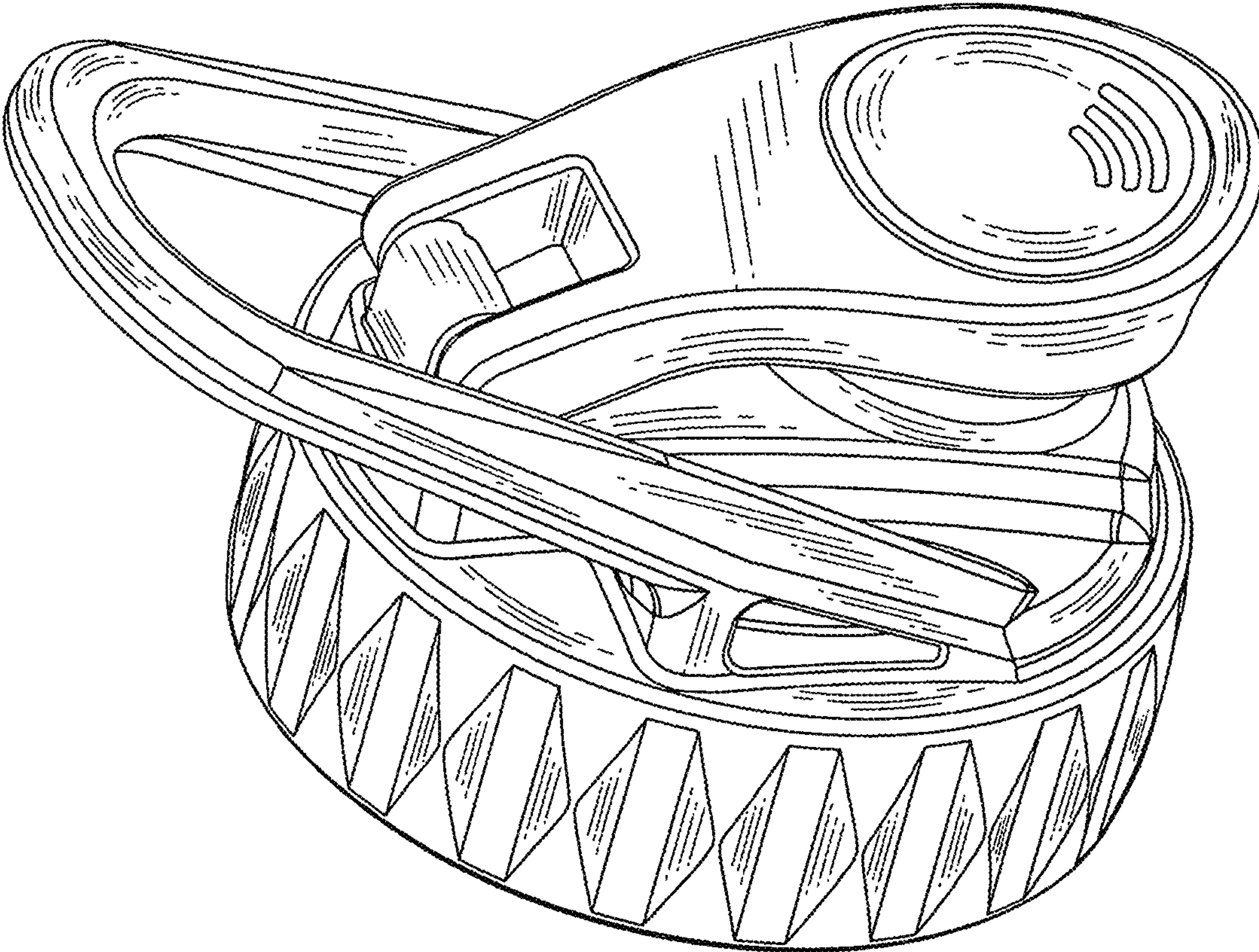


FIG. 1

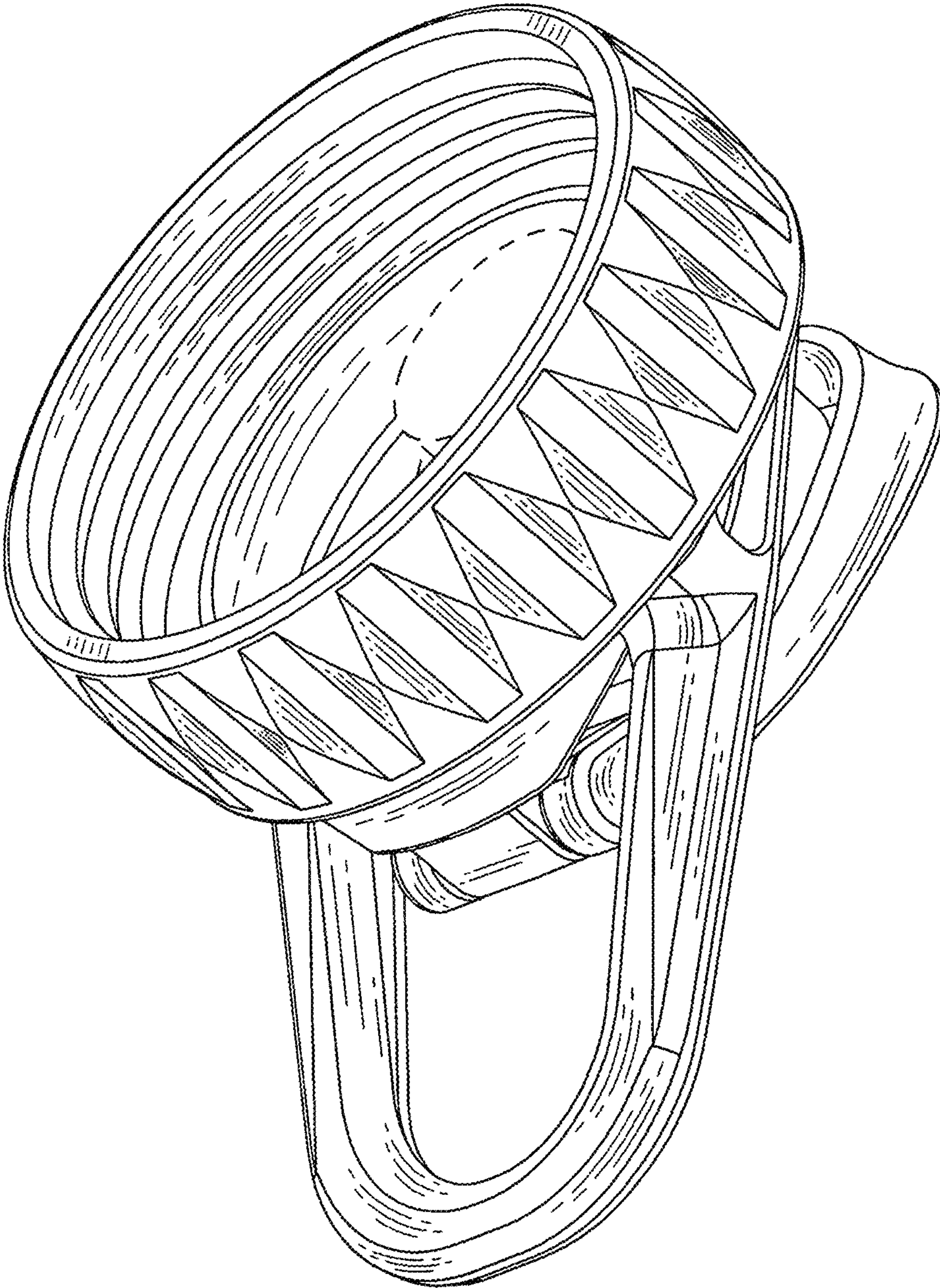


FIG. 2

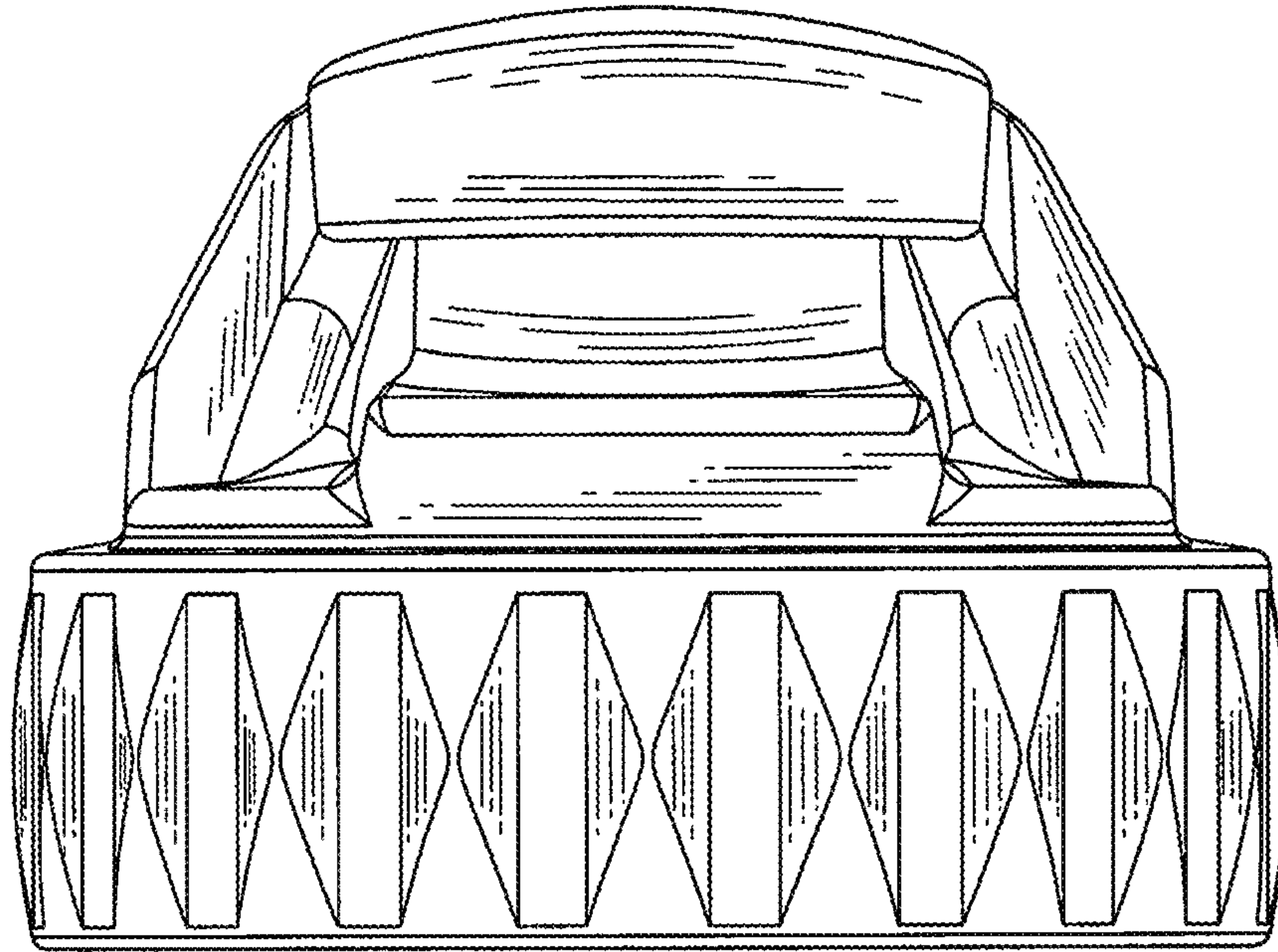


FIG. 3

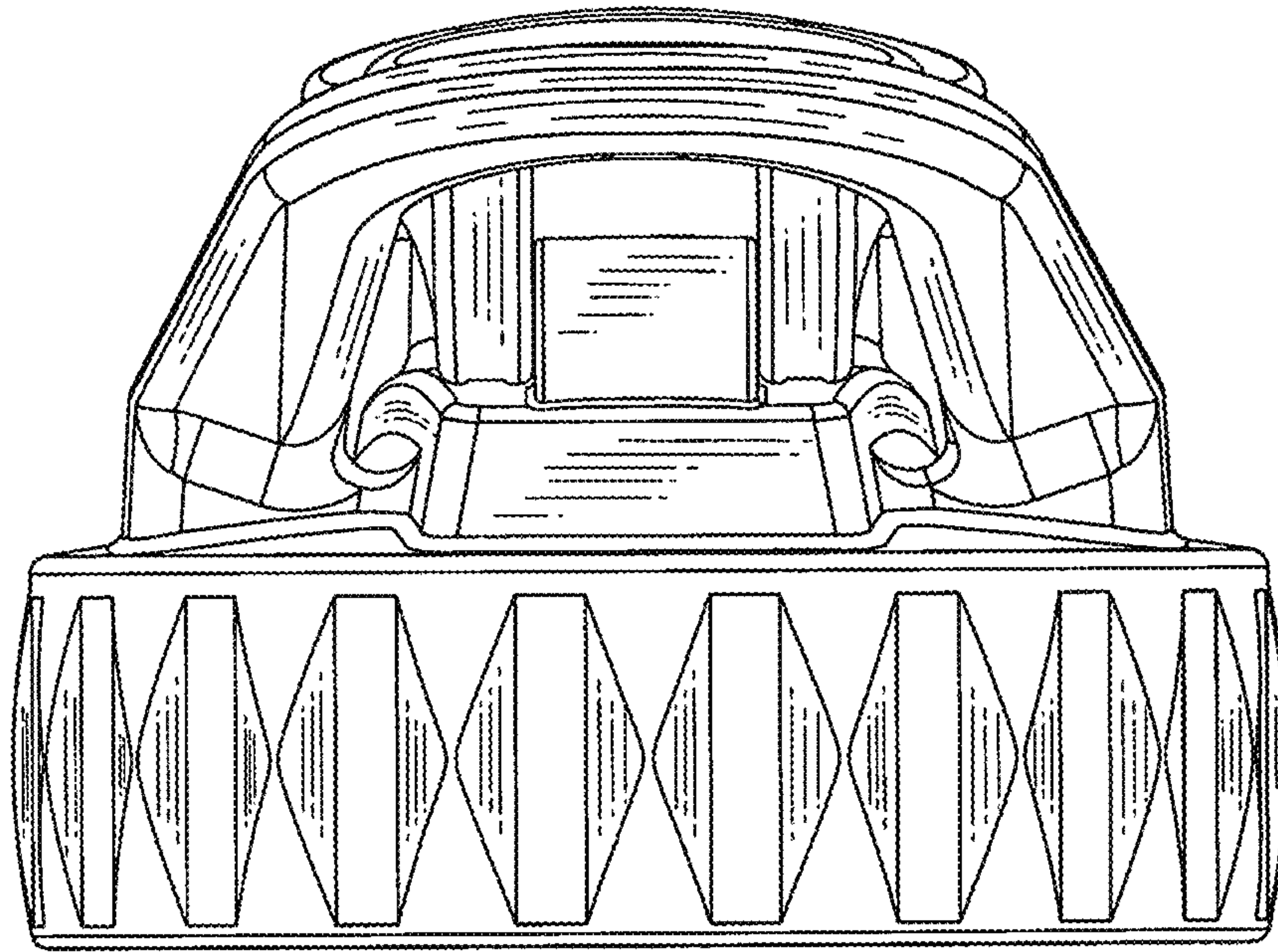


FIG. 4

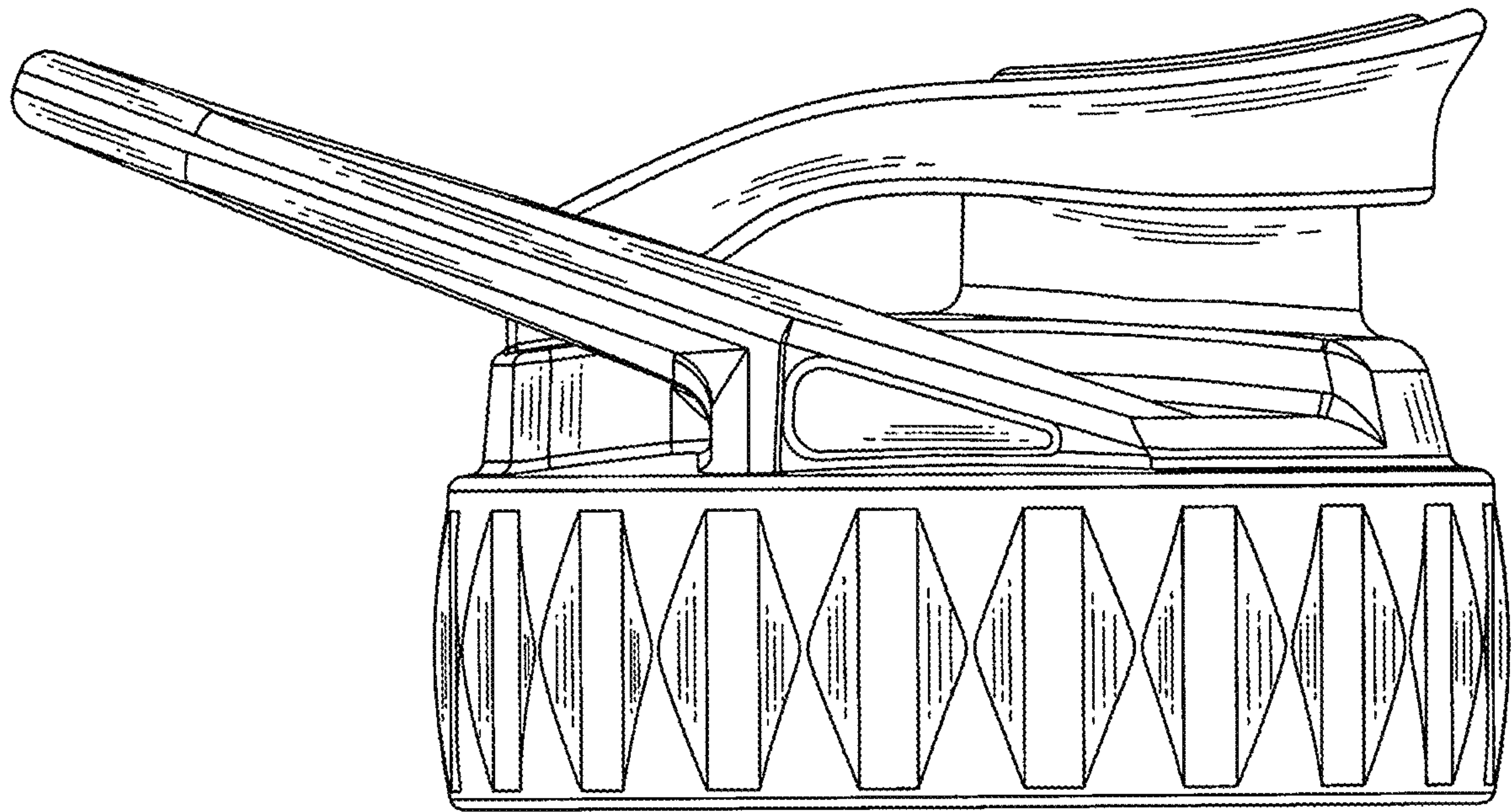


FIG. 5

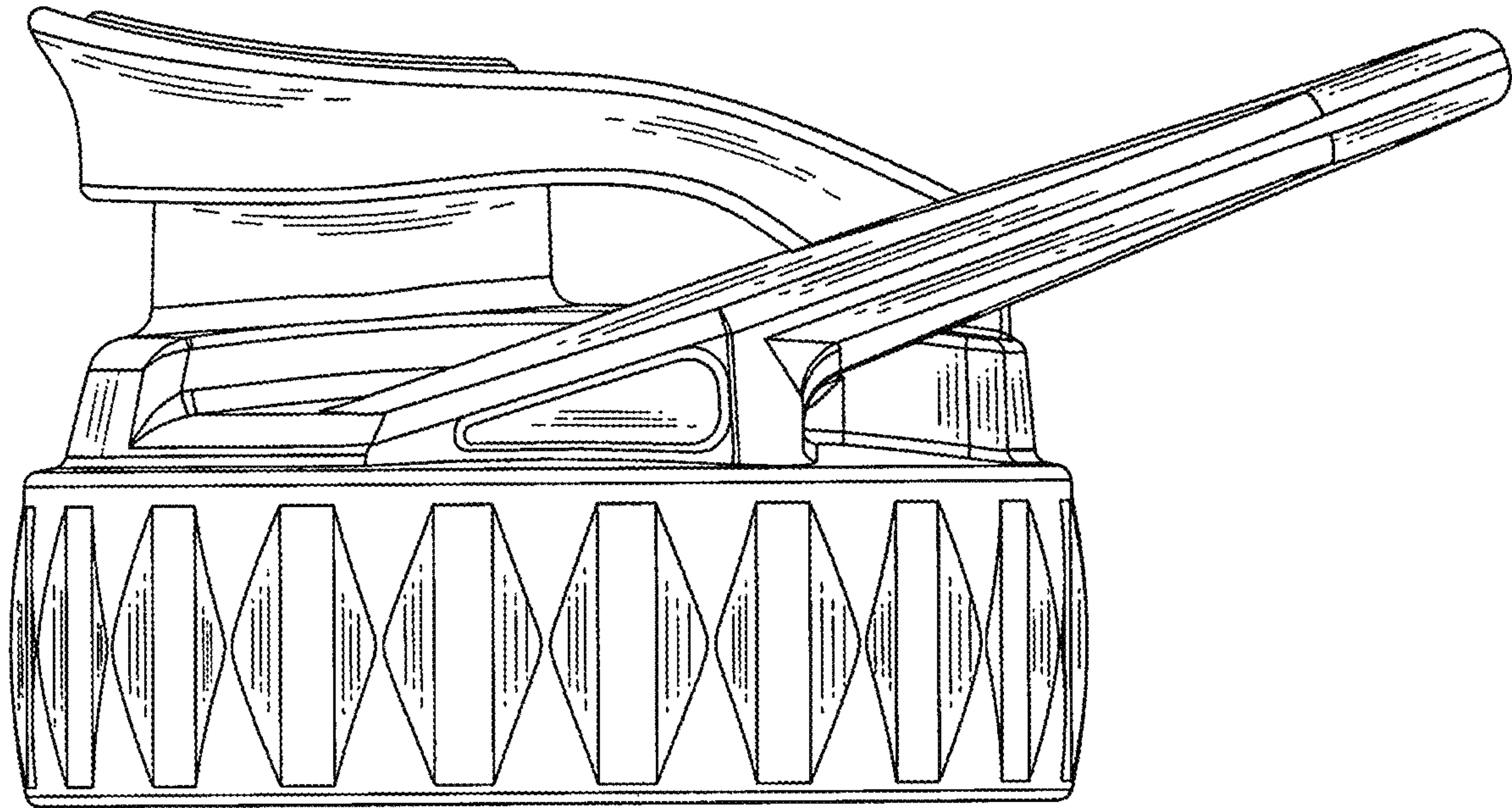


FIG. 6

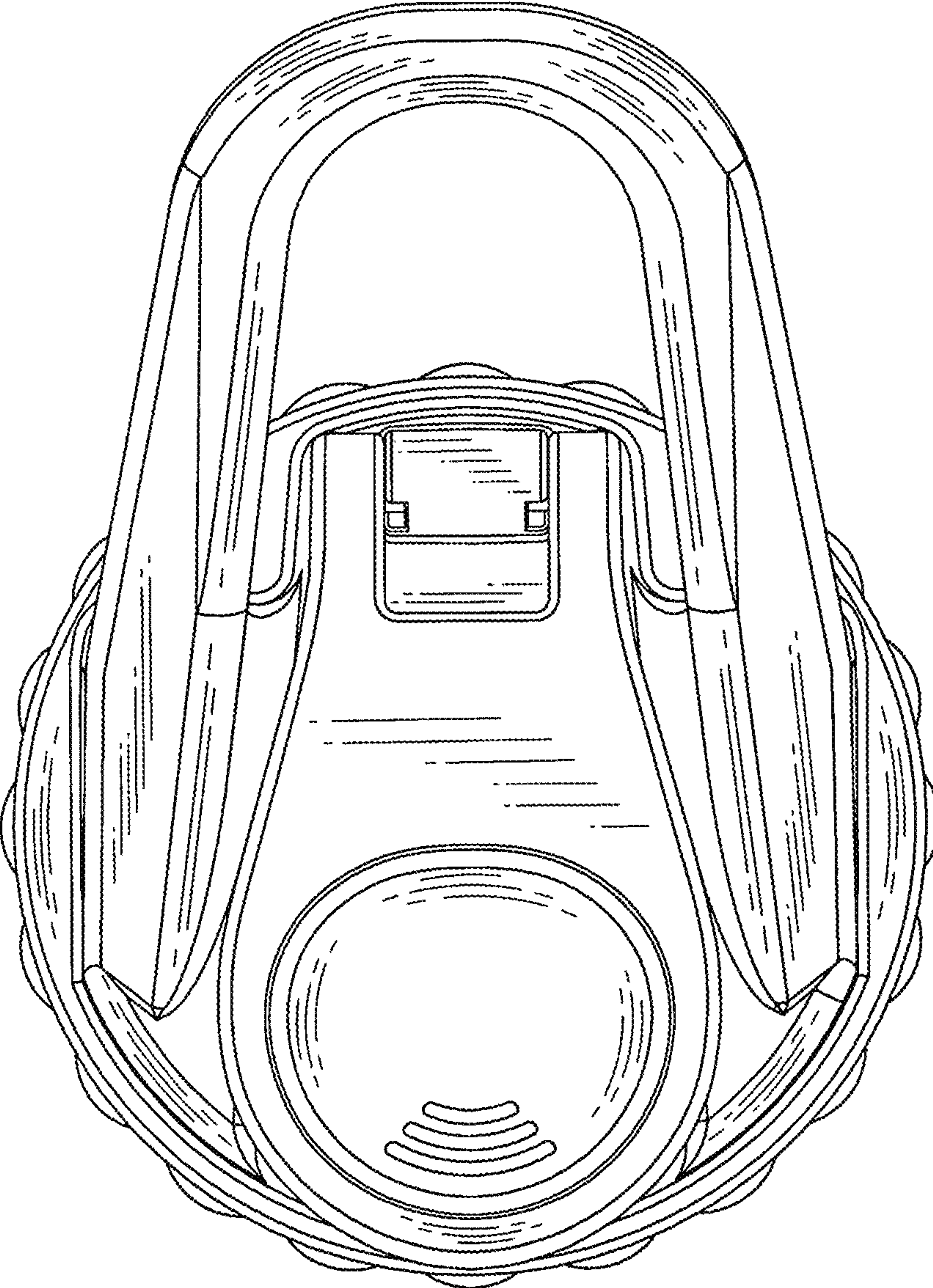


FIG. 7

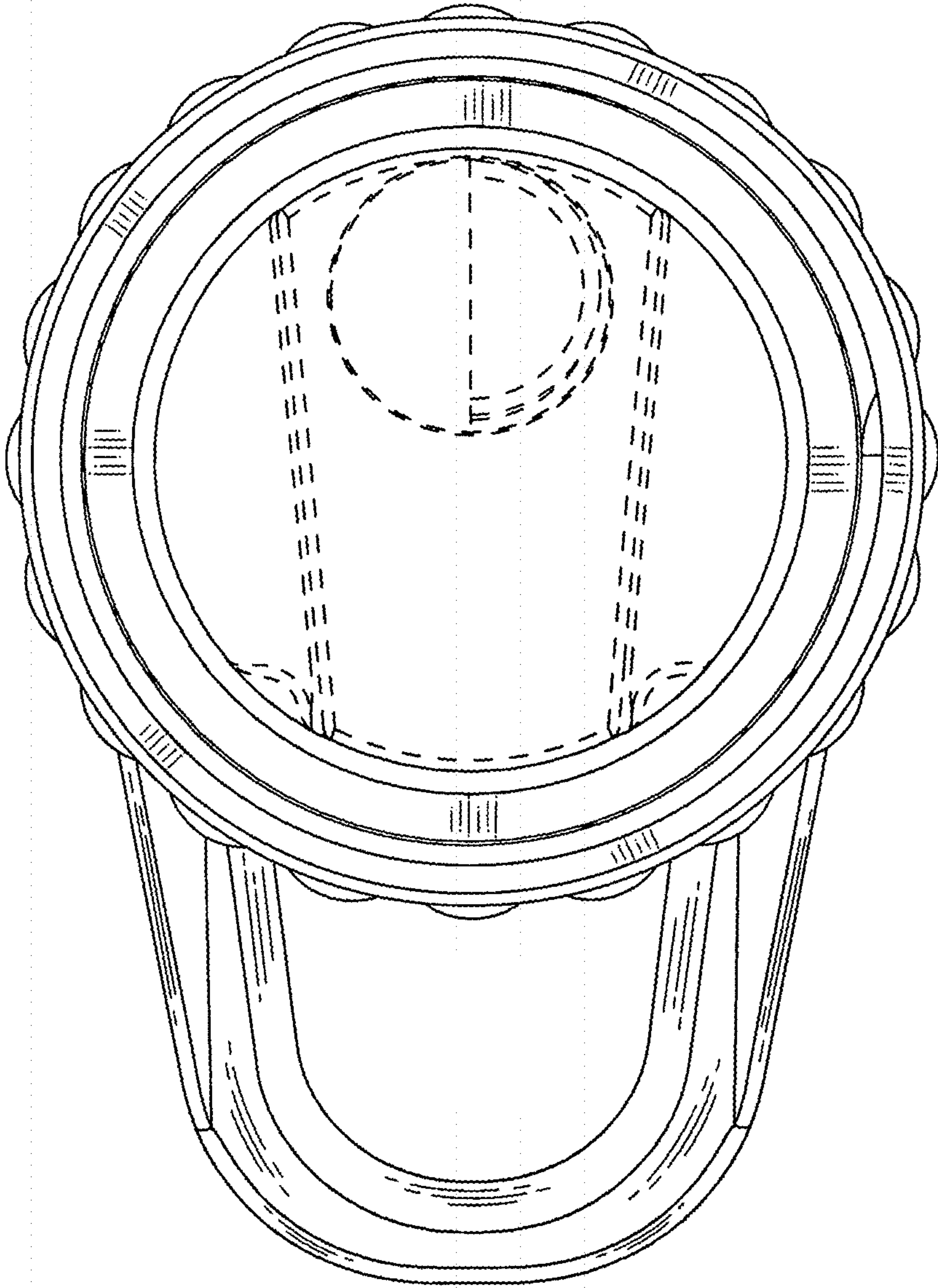


FIG. 8