



US00D942208S

(12) **United States Design Patent** (10) **Patent No.:** **US D942,208 S**
Lown (45) **Date of Patent:** **** Feb. 1, 2022**

- (54) **CONTAINER LID**
- (71) Applicant: **Takeya USA Corporation**, Huntington Beach, CA (US)
- (72) Inventor: **John M. Lown**, Huntington Beach, CA (US)
- (73) Assignee: **Takeya USA Corporation**, Costa Mesa, CA (US)

- D696,900 S * 1/2014 George D7/392.1
- D704,986 S * 5/2014 Manies D7/392.1
- D747,136 S * 1/2016 Lane D7/396.2
- D752,382 S * 3/2016 Ksiazek D9/449
- D758,127 S * 6/2016 Zhao D7/392.1
- D771,990 S * 11/2016 Horowitz D7/300.1
- D772,652 S * 11/2016 Yao D7/511
- D794,386 S * 8/2017 Steel D7/396.2
- D799,320 S * 10/2017 Goodwin D9/450
- D801,111 S * 10/2017 Eyal D9/449
- D807,110 S * 1/2018 Lown D7/391

(Continued)

(**) Term: **15 Years**

(21) Appl. No.: **29/637,337**

(22) Filed: **Feb. 15, 2018**

(51) **LOC (13) Cl.** **07-99**

(52) **U.S. Cl.**
USPC **D7/392.1; D9/443; D9/450**

(58) **Field of Classification Search**
USPC D9/434, 435, 439, 440, 442-450, D9/452-457, 499, 503-505, 682, 685, D9/686; D7/387, 391, 392, 392.1, 396.1, D7/396.2, 507, 509-511, 538, 900; D3/202, 203.2, 294, 318; D28/91, 91.1
CPC .. A61J 1/00; A61J 1/1412; B65D 1/00; B65D 1/02; B65D 1/10; B65D 1/46; B65D 5/46; B65D 41/00; B65D 41/38; B65D 41/56; B65D 41/62; B65D 47/00; B65D 47/06; B65D 47/08; B65D 2251/00; B65D 2543/00046; B65D 2543/00092; B65D 2543/00296

See application file for complete search history.

(56) **References Cited**

U.S. PATENT DOCUMENTS

- D547,607 S * 7/2007 Forsman D9/449
- D584,566 S * 1/2009 Fuller D7/396.2
- D626,838 S * 11/2010 Meyers D9/443
- D649,879 S * 12/2011 Gullickson D9/450
- D675,059 S * 1/2013 Carreno D7/392.1

OTHER PUBLICATIONS

Amazon.com "Takeya Actives Straw Lid for Insulated Water Bottle, Wide" (online), date first available: Apr. 5, 2018. Retrieved from Internet on Dec. 18, 2020, URL: <https://www.amazon.com/Takeya-Actives-Straw-Wide-Mouth/dp/B07BZ3PYZJ> (16 pages).*

Primary Examiner — Wendy L Arminio

(74) *Attorney, Agent, or Firm* — Klein, O'Neill & Singh, LLP

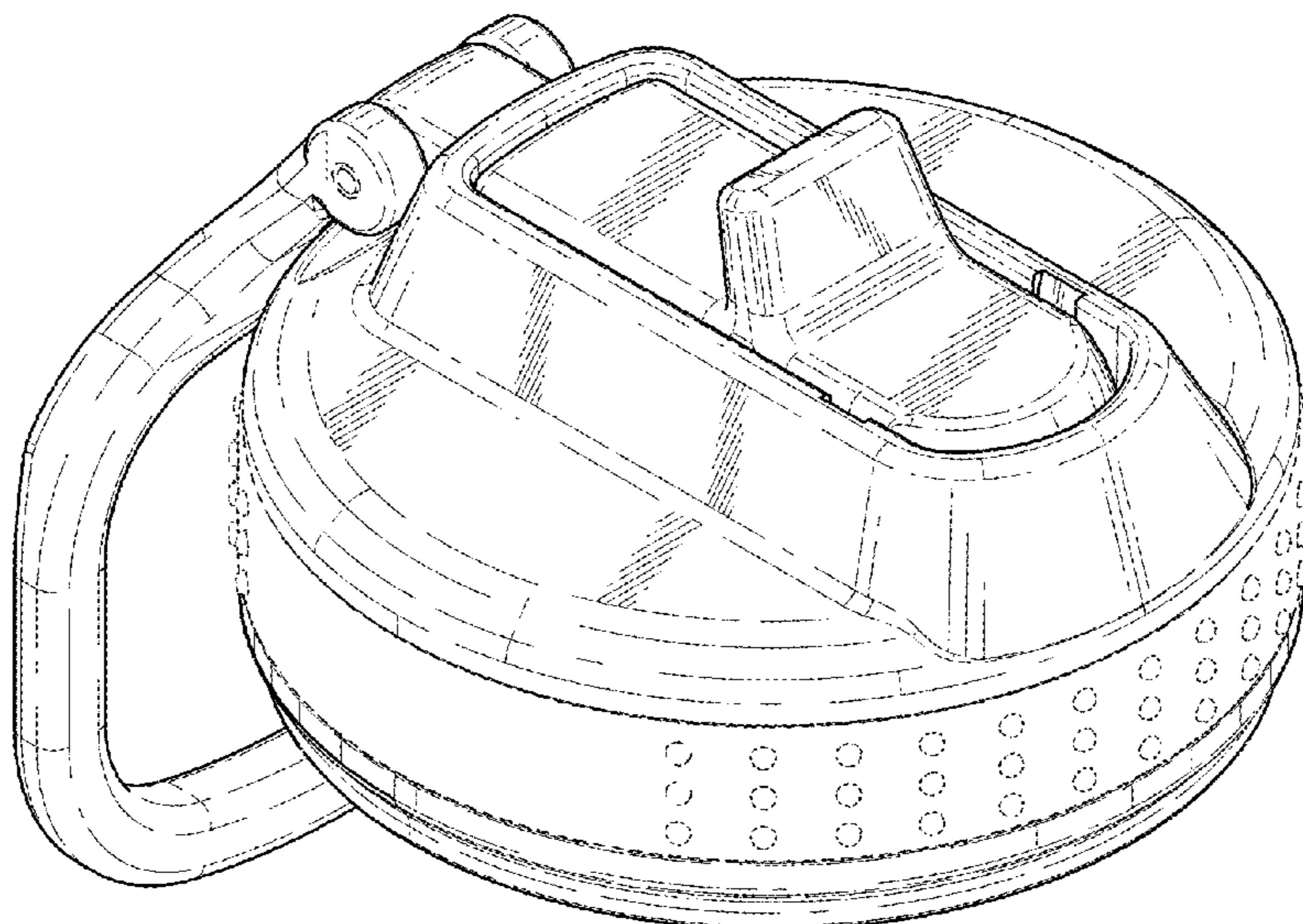
(57) **CLAIM**

The ornamental design for a container lid, as shown and described.

DESCRIPTION

FIG. 1 is a perspective view of a container lid embodying the new design;
FIG. 2 is a perspective view thereof, but viewed from another angle;
FIG. 3 is a front elevation view thereof;
FIG. 4 is a rear elevation view thereof;
FIG. 5 is a left side elevation view thereof;
FIG. 6 is a right side elevation view thereof;
FIG. 7 is a top plan view thereof; and,
FIG. 8 is a bottom plan view thereof.
The broken lines depict portions of the container lid that form no part of the claimed design.

1 Claim, 4 Drawing Sheets



(56)

References Cited

U.S. PATENT DOCUMENTS

D814,236	S	*	4/2018	Rolfson	D7/392.1
D814,855	S	*	4/2018	Hammer	D7/392.1
D820,635	S	*	6/2018	Hammer	D7/392.1
D820,637	S	*	6/2018	Davis	D7/392.1
D821,136	S	*	6/2018	Silsby	D7/392.1
D838,549	S	*	1/2019	Gu	D7/510
D842,040	S	*	3/2019	Lou	D7/511
D853,181	S	*	7/2019	Stanton	D7/392
D856,067	S	*	8/2019	Barber	D9/443
D858,181	S	*	9/2019	Lown	D7/392.1
D862,985	S	*	10/2019	Backs	D7/511
D865,441	S	*	11/2019	Lowette	D7/392
D885,120	S	*	5/2020	Yao	D7/392
D887,775	S	*	6/2020	Bo	D7/392.1
D887,776	S	*	6/2020	Bo	D7/392.1
D893,243	S	*	8/2020	Barber	D7/392.1
D893,245	S	*	8/2020	Zhang	D7/392.1
D894,671	S	*	9/2020	Huang	D7/392.1
D896,573	S	*	9/2020	Wu	D7/392.1
D896,574	S	*	9/2020	Wang	D7/392.1
D897,146	S	*	9/2020	Lane	D7/392
D897,760	S	*	10/2020	Feng	D7/392.1
D897,762	S	*	10/2020	Zhang	D7/392.1
D898,507	S	*	10/2020	Ekblom	D7/392.1
D899,181	S	*	10/2020	Xie	D7/392.1
D899,848	S	*	10/2020	Zhang	D7/392.1
D903,404	S	*	12/2020	Bram	D7/392.1
2012/0325815	A1	*	12/2012	Gilbert	A47G 19/2272 220/264
2014/0138395	A1	*	5/2014	Joy	A47G 19/2272 220/715

* cited by examiner

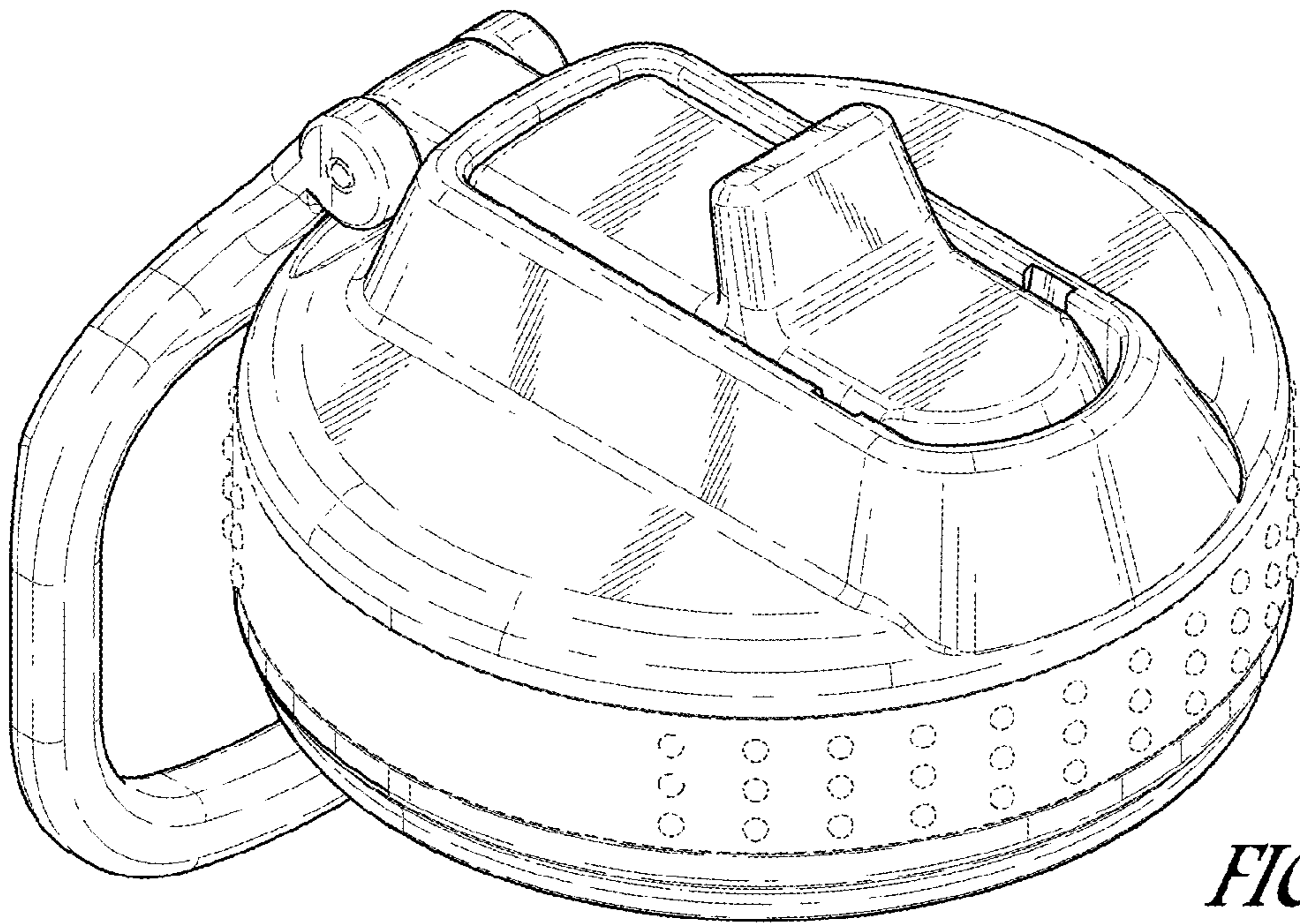


FIG. 1

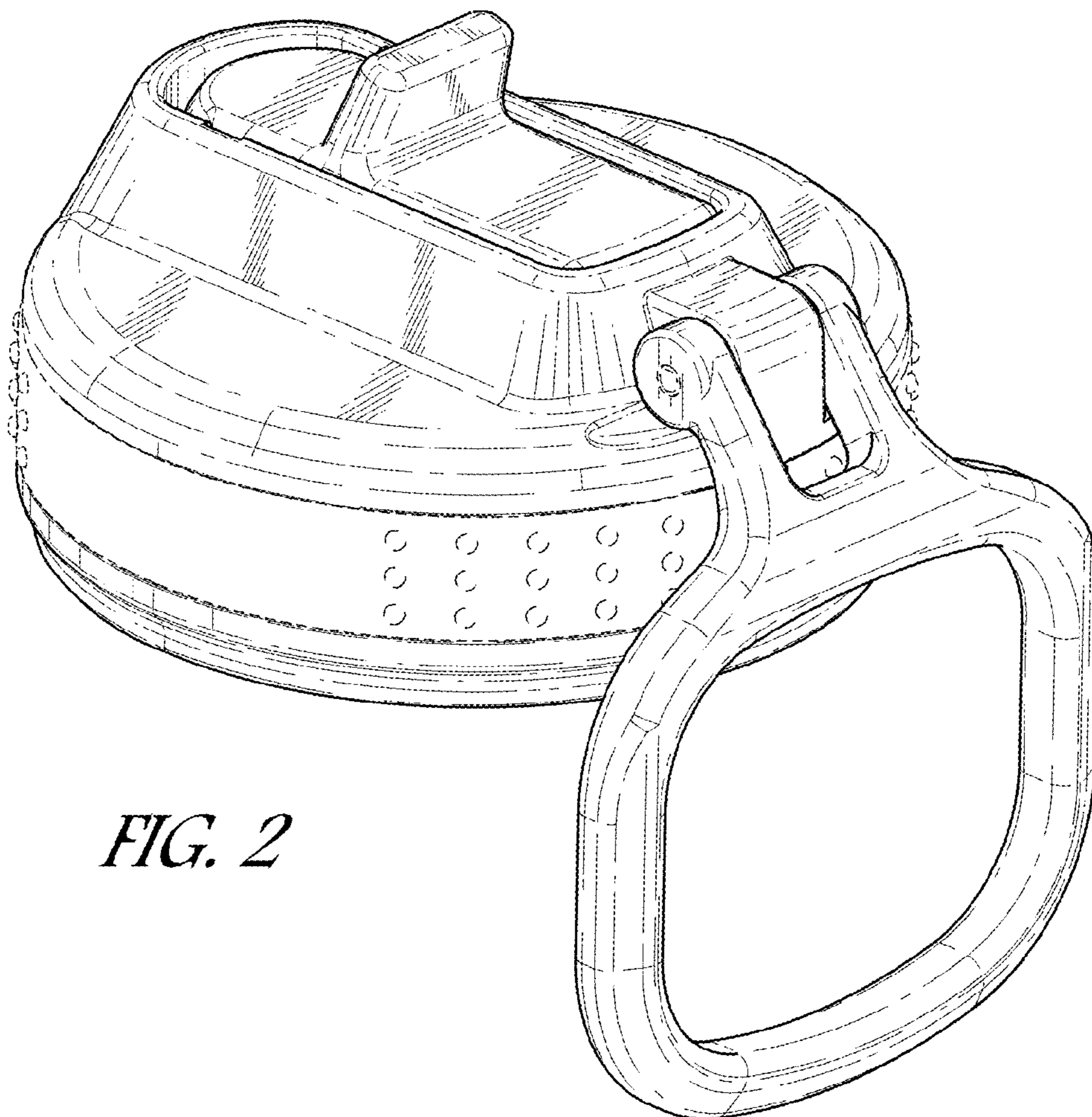


FIG. 2

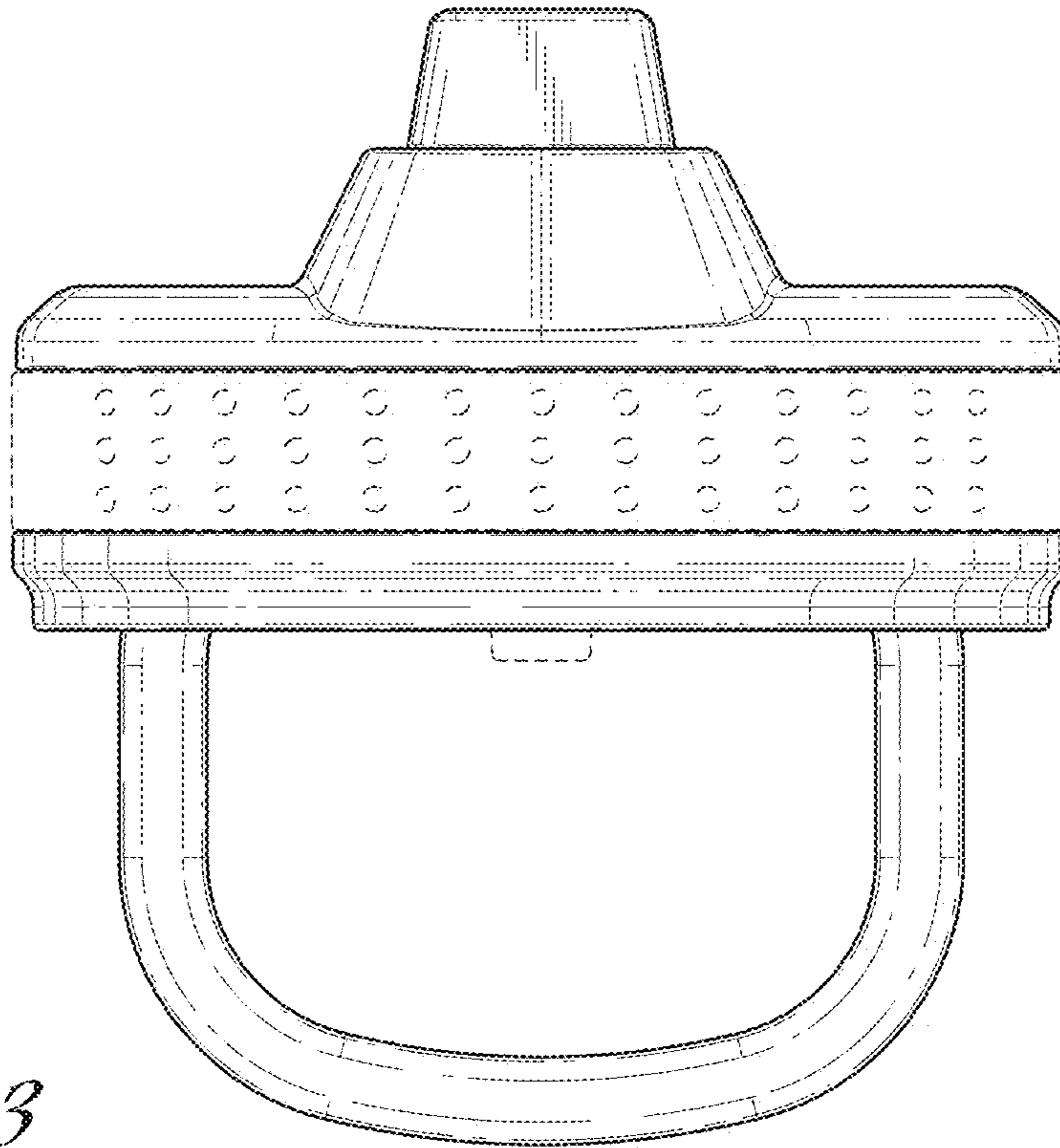


FIG. 3

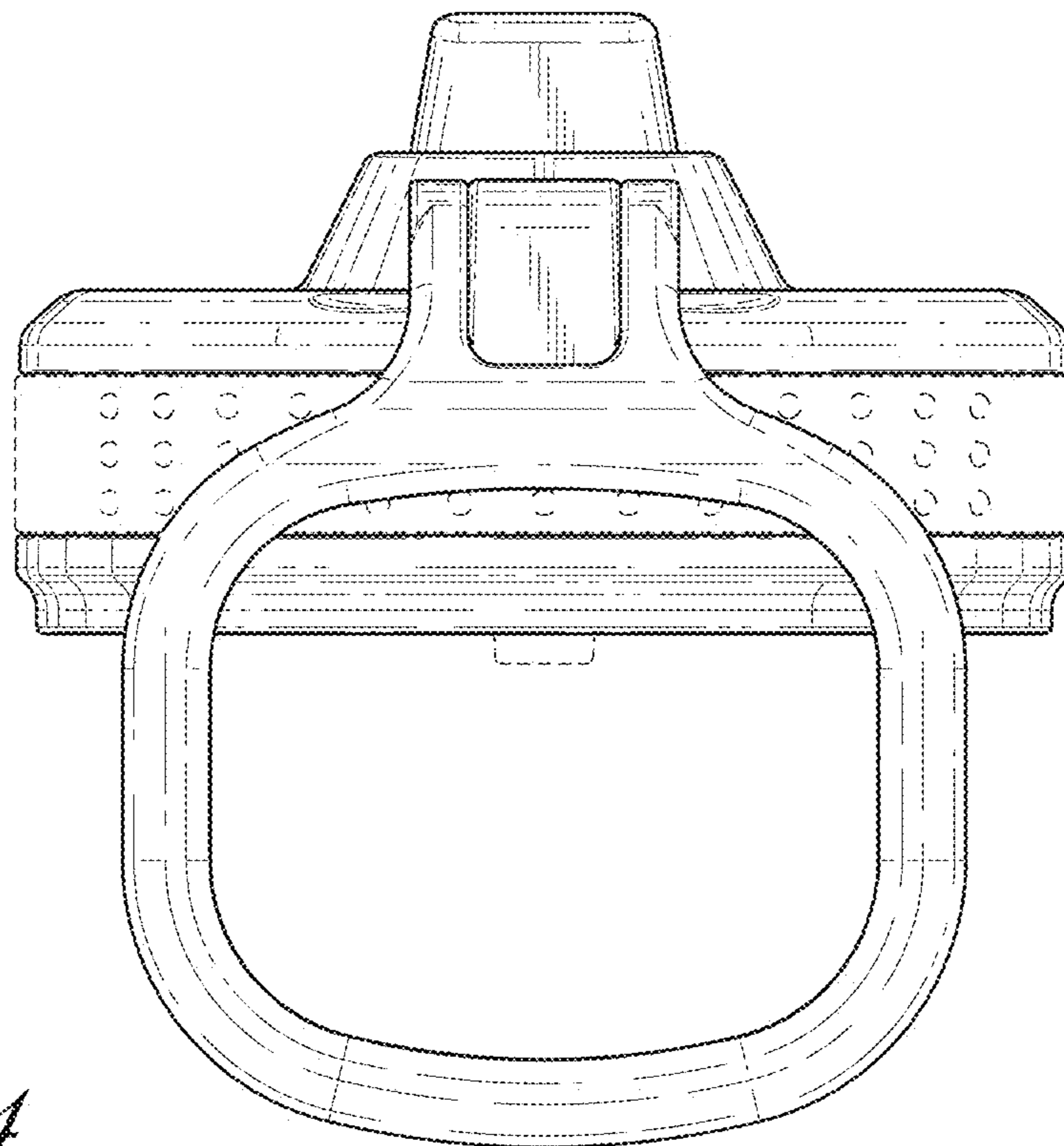


FIG. 4

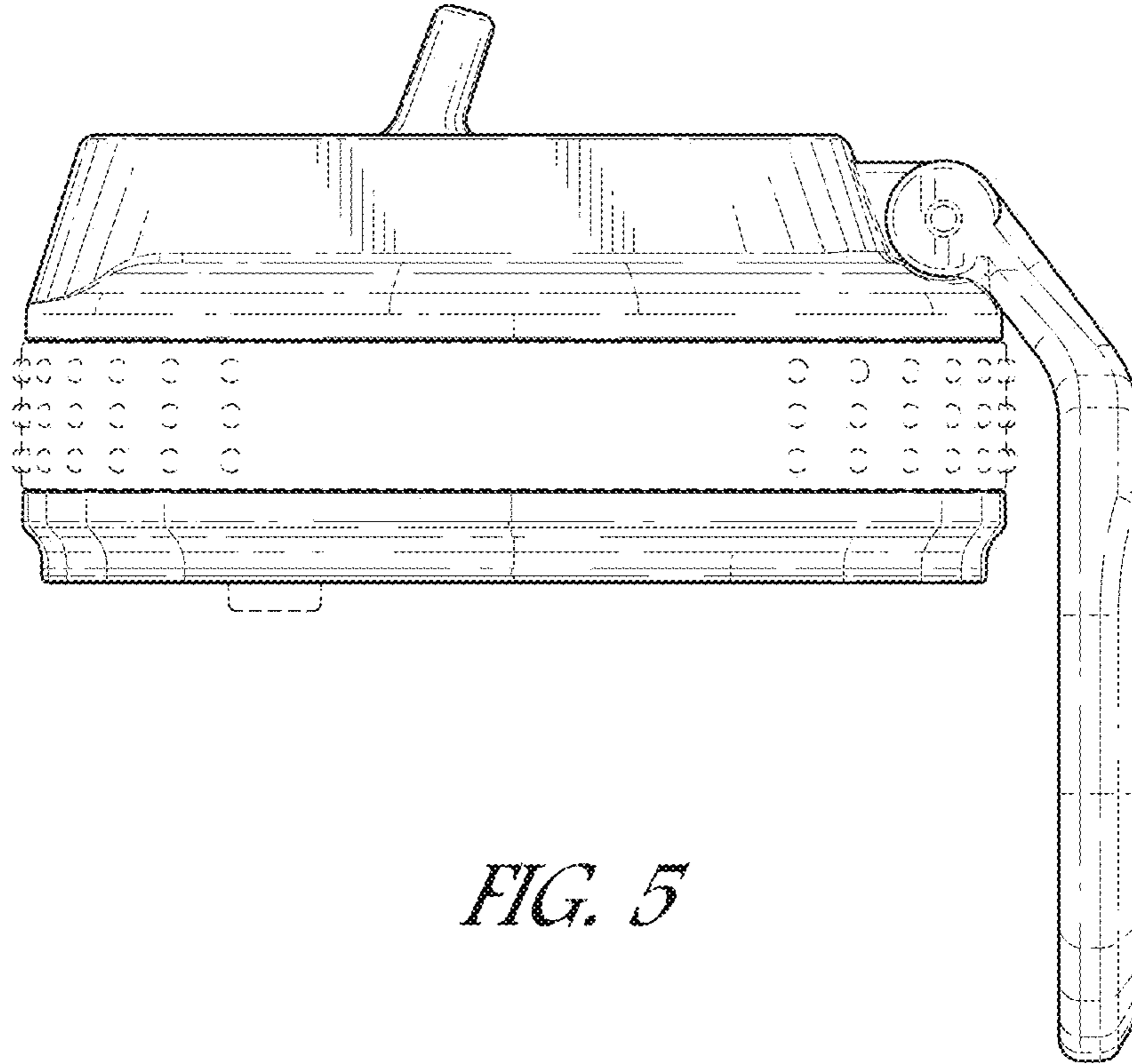


FIG. 5

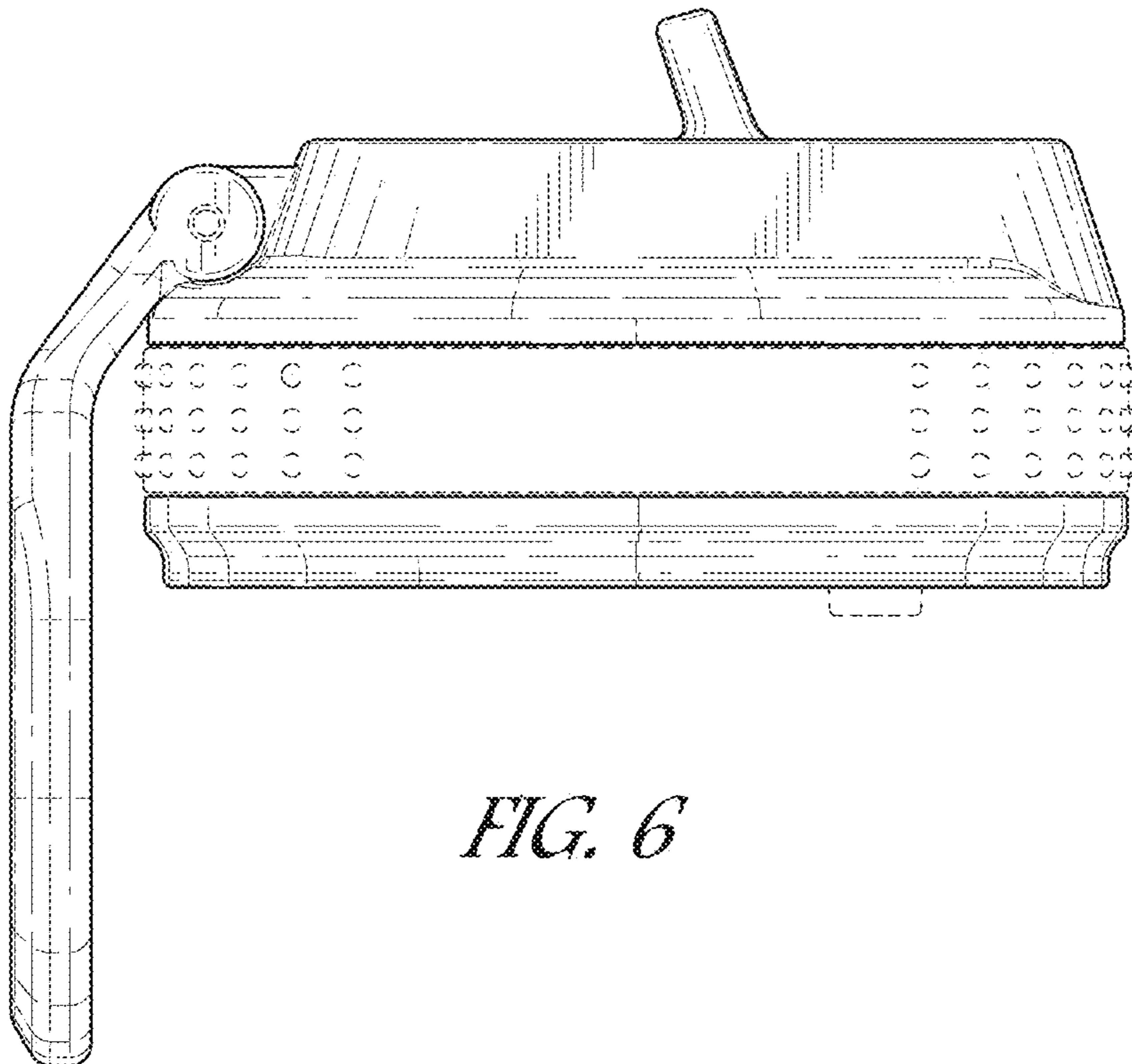


FIG. 6

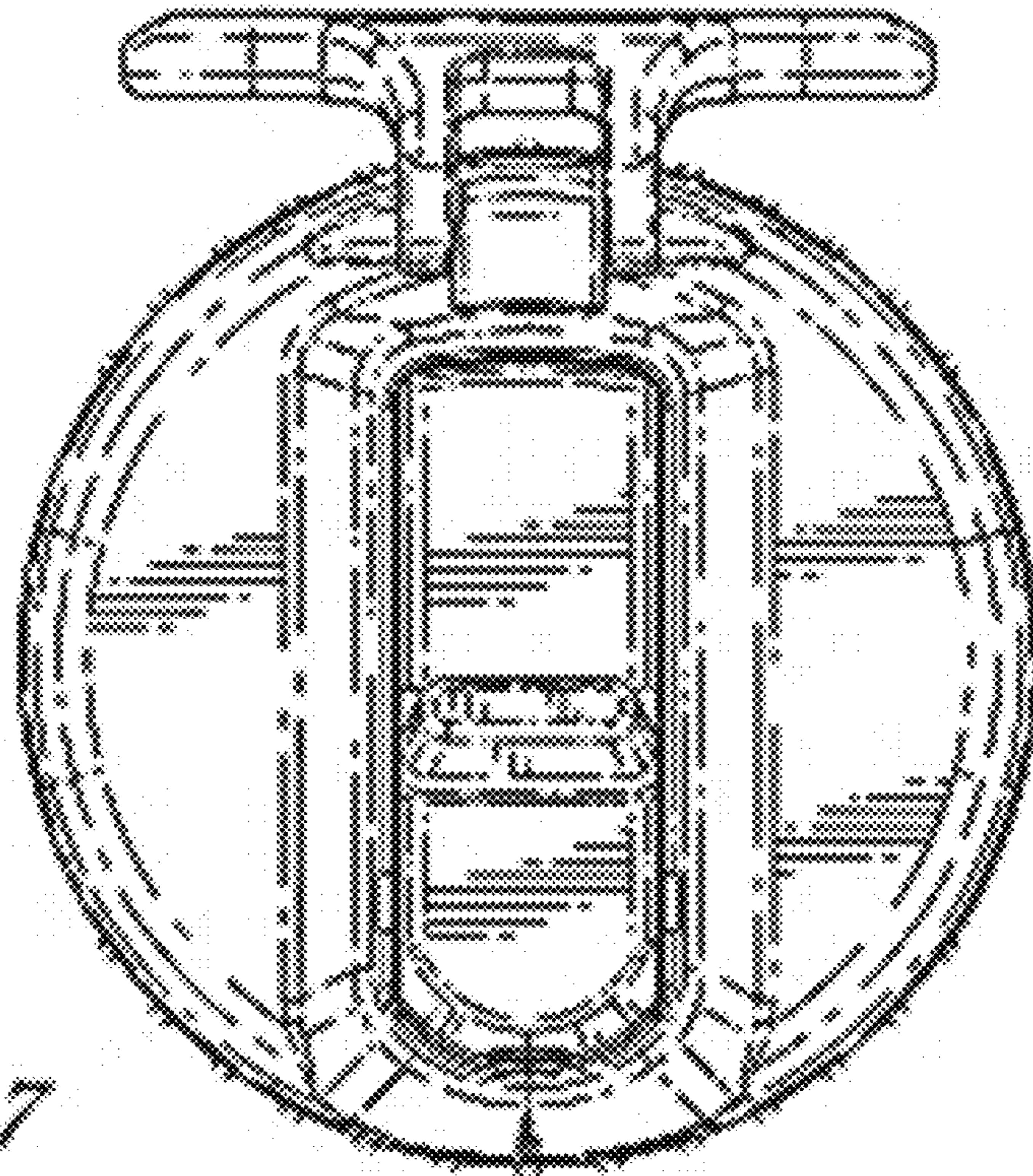


FIG. 7

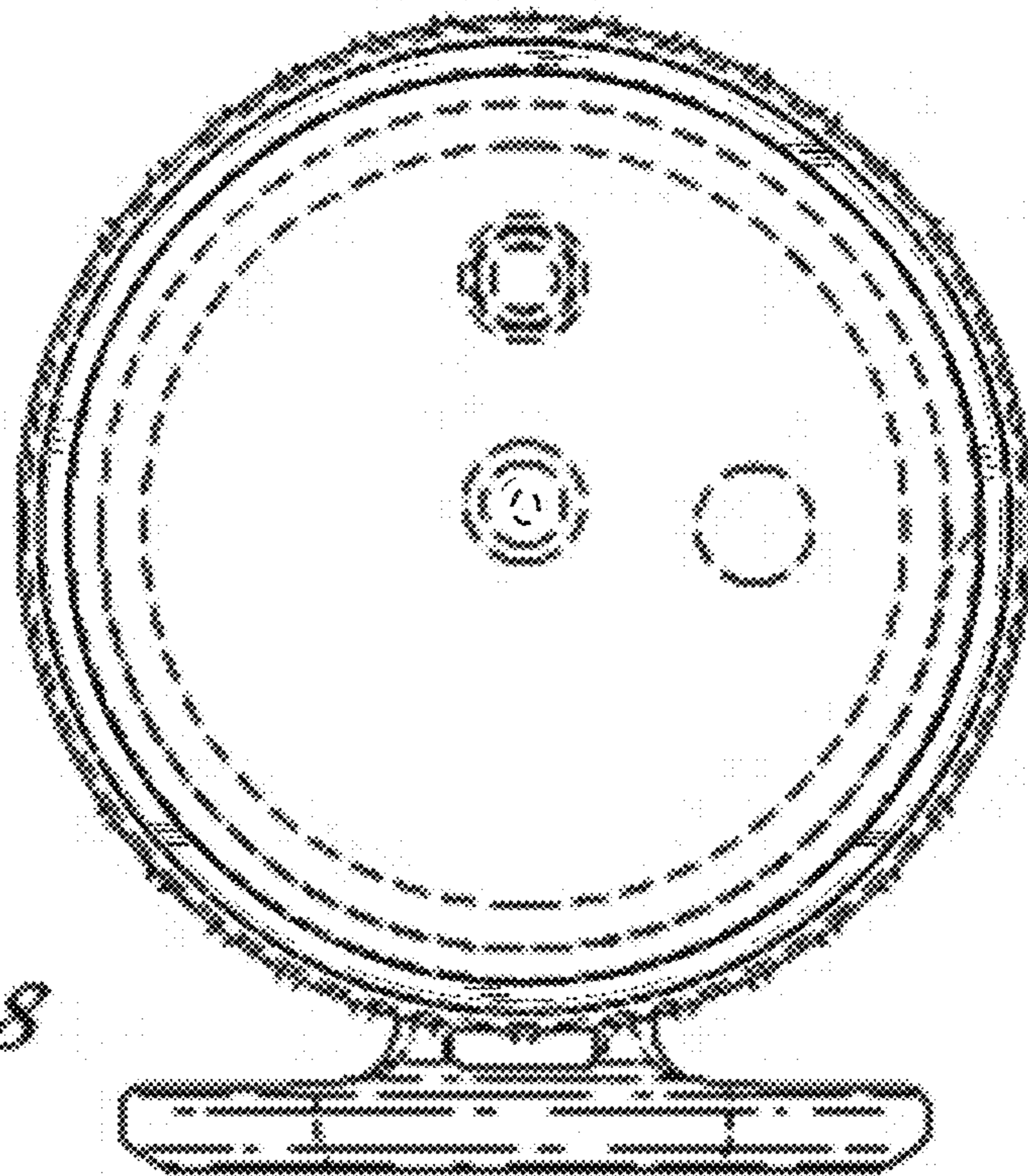


FIG. 8