



US00D942207S

(12) **United States Design Patent**
Zheng

(10) **Patent No.:** **US D942,207 S**

(45) **Date of Patent:** **** Feb. 1, 2022**

(54) **AIRTIGHT FOOD STORAGE CONTAINER**

(71) Applicant: **Fuhong Zheng**, Lufeng (CN)

(72) Inventor: **Fuhong Zheng**, Lufeng (CN)

(**) Term: **15 Years**

(21) Appl. No.: **29/777,004**

(22) Filed: **Apr. 1, 2021**

(51) **LOC (13) Cl.** **07-02**

(52) **U.S. Cl.**
USPC **D7/391**

(58) **Field of Classification Search**
USPC D7/391, 392, 392.1, 393, 397, 629;
D9/414, 424-432, 435, 449, 451-452
CPC A23B 7/152; A47J 36/027; A47J 36/06;
A47J 37/10; A47J 37/101; A47J 47/14;
B65D 21/0209; B65D 43/00; B65D
43/02; B65D 43/022; B65D 43/161;
B65D 43/162; B65D 45/00; B65D 45/16;
B65D 45/18; B65D 51/16; B65D
51/1683; B65D 51/1688; B65D 51/1694;
B65D 81/2038; B65F 1/1615
See application file for complete search history.

(56) **References Cited**

U.S. PATENT DOCUMENTS

D389,012 S *	1/1998	Miller	D7/391
D446,419 S *	8/2001	Ming-Shiue	D7/392.1
D465,969 S *	11/2002	Morin	D7/392.1
D473,761 S *	4/2003	Wilk	D7/629
6,862,980 B2 *	3/2005	Heil	A23B 7/152 99/467
D527,218 S *	8/2006	Carlson	D7/392
D537,293 S *	2/2007	Ho	D7/392.1

D604,119 S	11/2009	Kim	
D810,567 S *	2/2018	Brovar D9/449
D814,234 S *	4/2018	Joseph D7/391
D854,382 S	7/2019	Bennett	
D876,906 S *	3/2020	Wei D7/629
2019/0359396 A1 *	11/2019	Wolters A47J 47/14
2021/0300661 A1 *	9/2021	Chen B65D 81/2038

OTHER PUBLICATIONS

LESHUai-Y Airtight Food Storage Containers with Lids. Date First Available on Amazon.com Dec. 24, 2020. <https://www.amazon.com/dp/B08R8RX3PL/ref> (Year: 2020).*

* cited by examiner

Primary Examiner — Ricky Pham

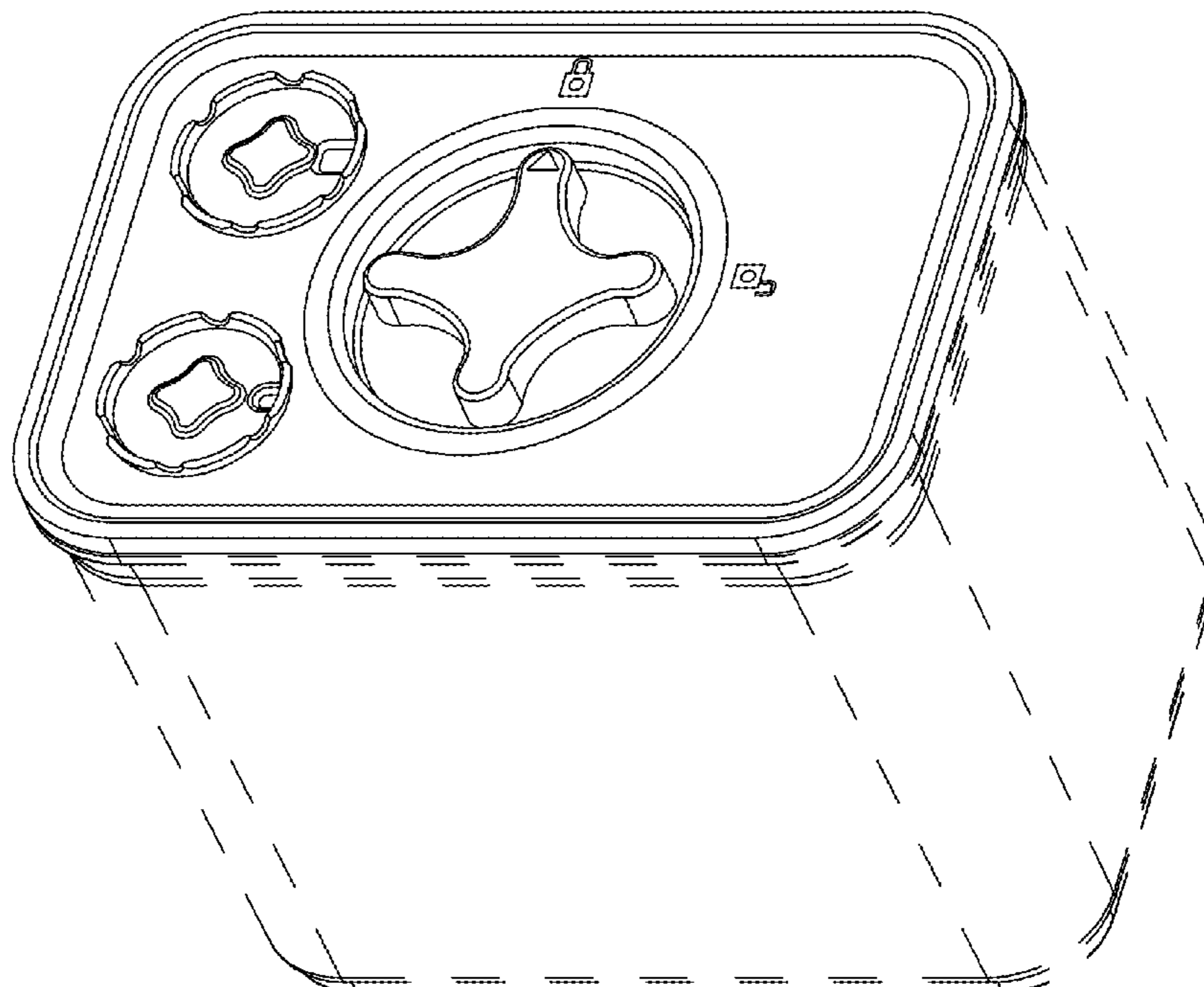
(57) **CLAIM**

The ornamental design for an airtight food storage container, as shown and described.

DESCRIPTION

FIG. 1 is a front elevational view of an airtight food storage container showing my new design; FIG. 2 is a rear elevational view thereof; FIG. 3 is a left side elevational view thereof; FIG. 4 is a right side elevational view thereof; FIG. 5 is a top plan view thereof; FIG. 6 is a bottom plan view thereof; FIG. 7 is a perspective view thereof; FIG. 8 is another perspective view thereof; and, FIG. 9 is a perspective view of the airtight food storage container where the airtight food storage container is in a configuration of use. The broken lines in FIG. 9 depict environment that form no part of the claimed design.

1 Claim, 9 Drawing Sheets



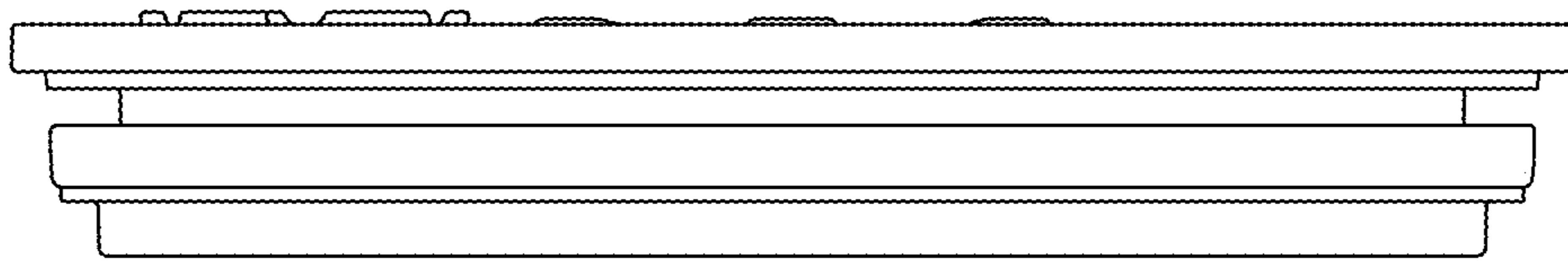


FIG. 1

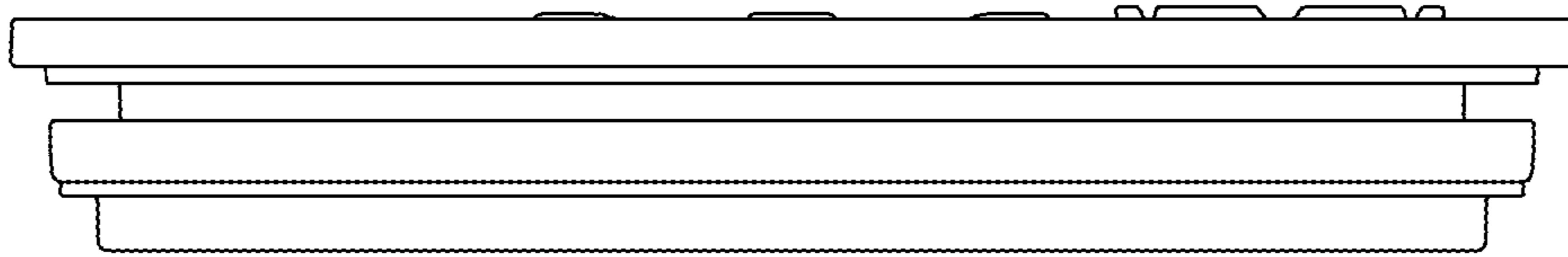


FIG. 2

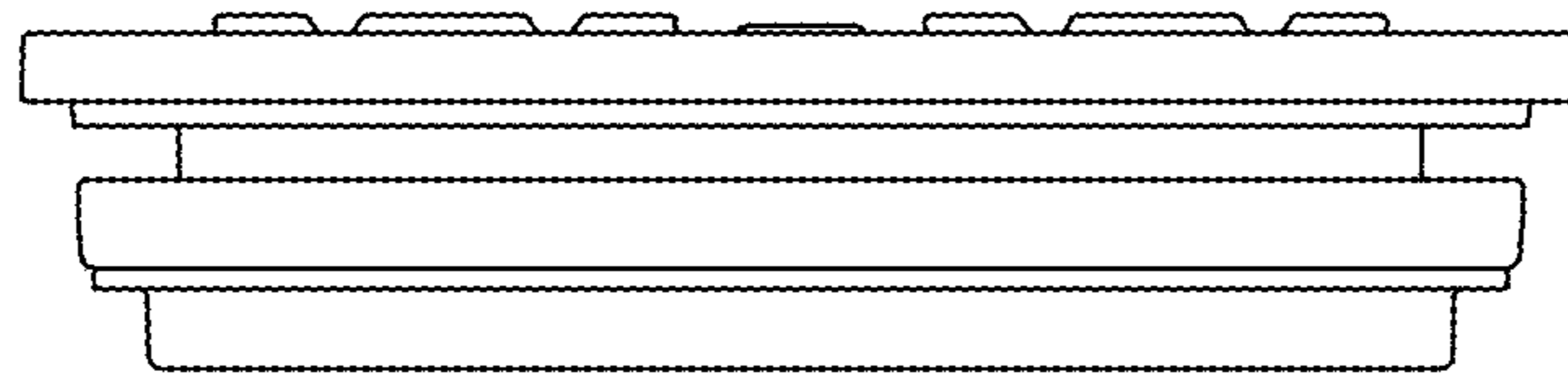


FIG. 3

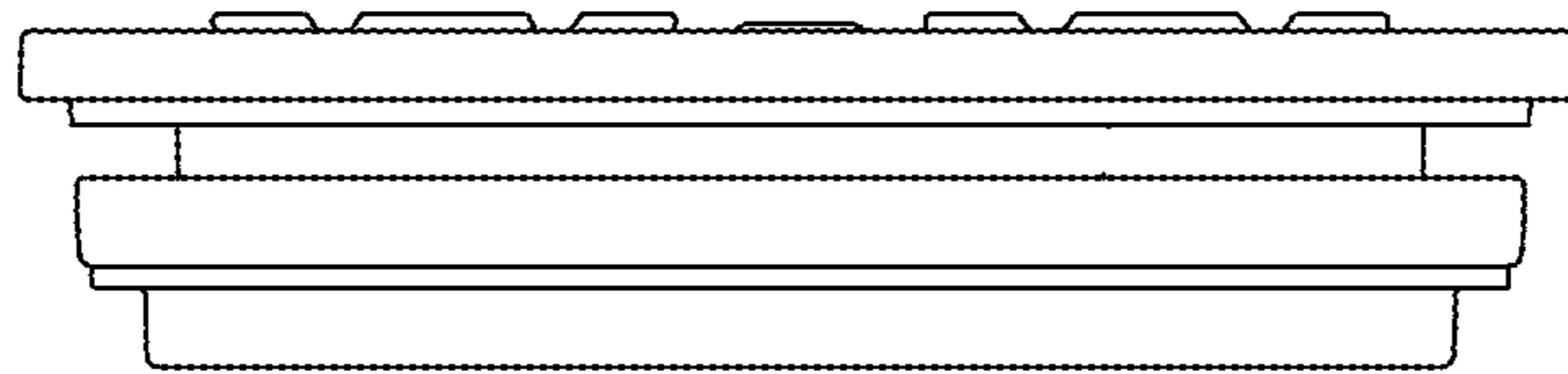


FIG. 4

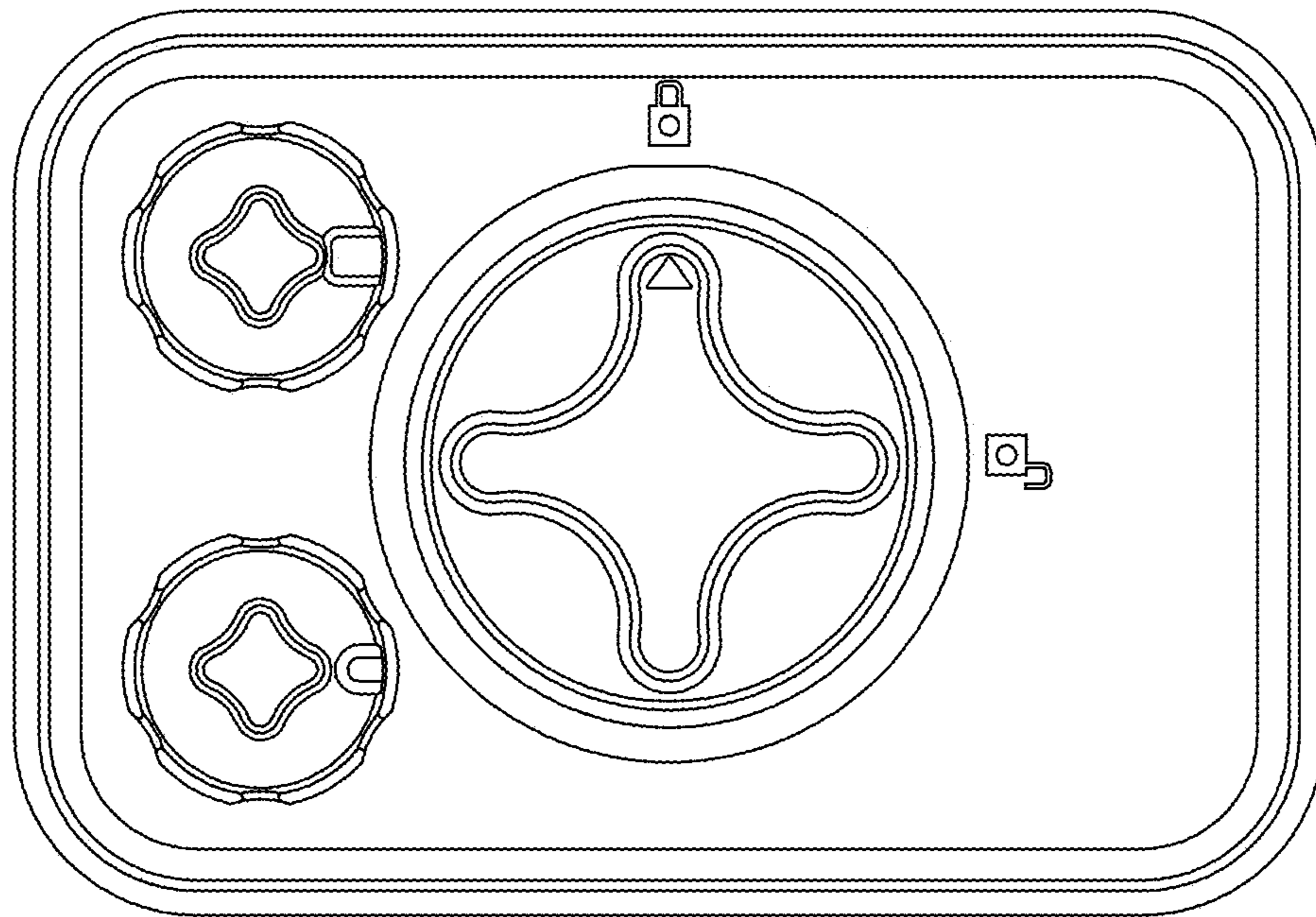


FIG. 5

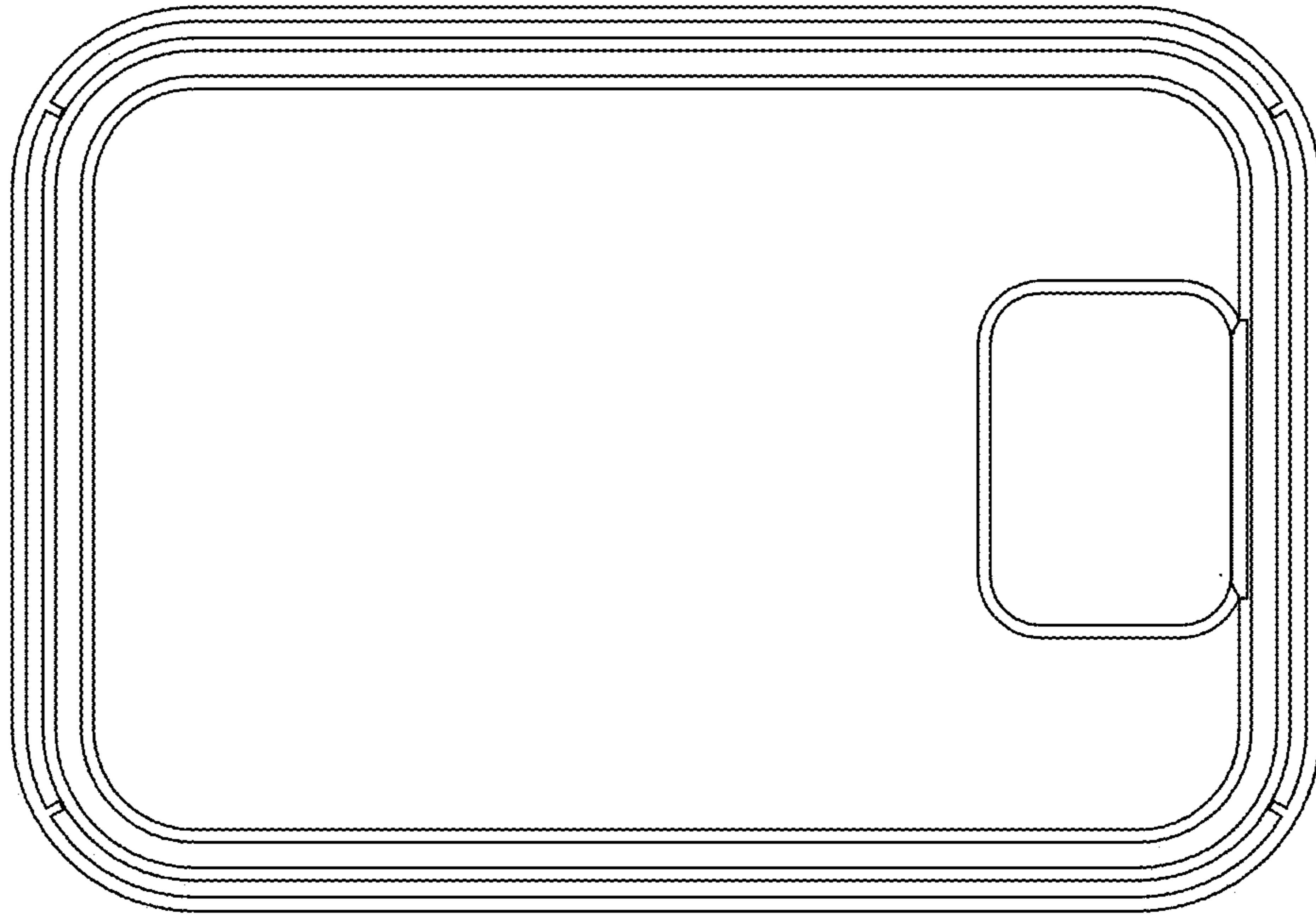


FIG. 6

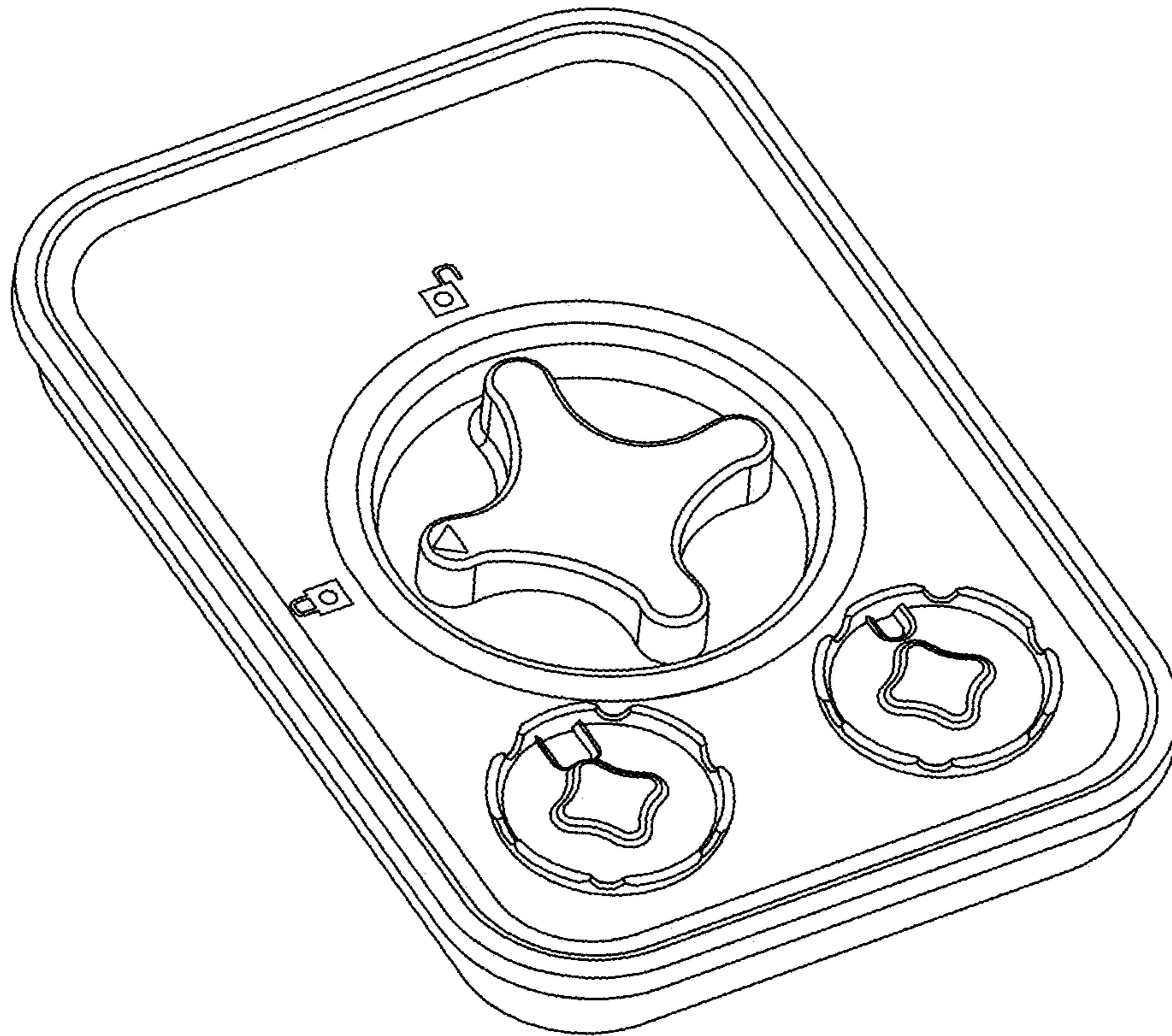


FIG. 7

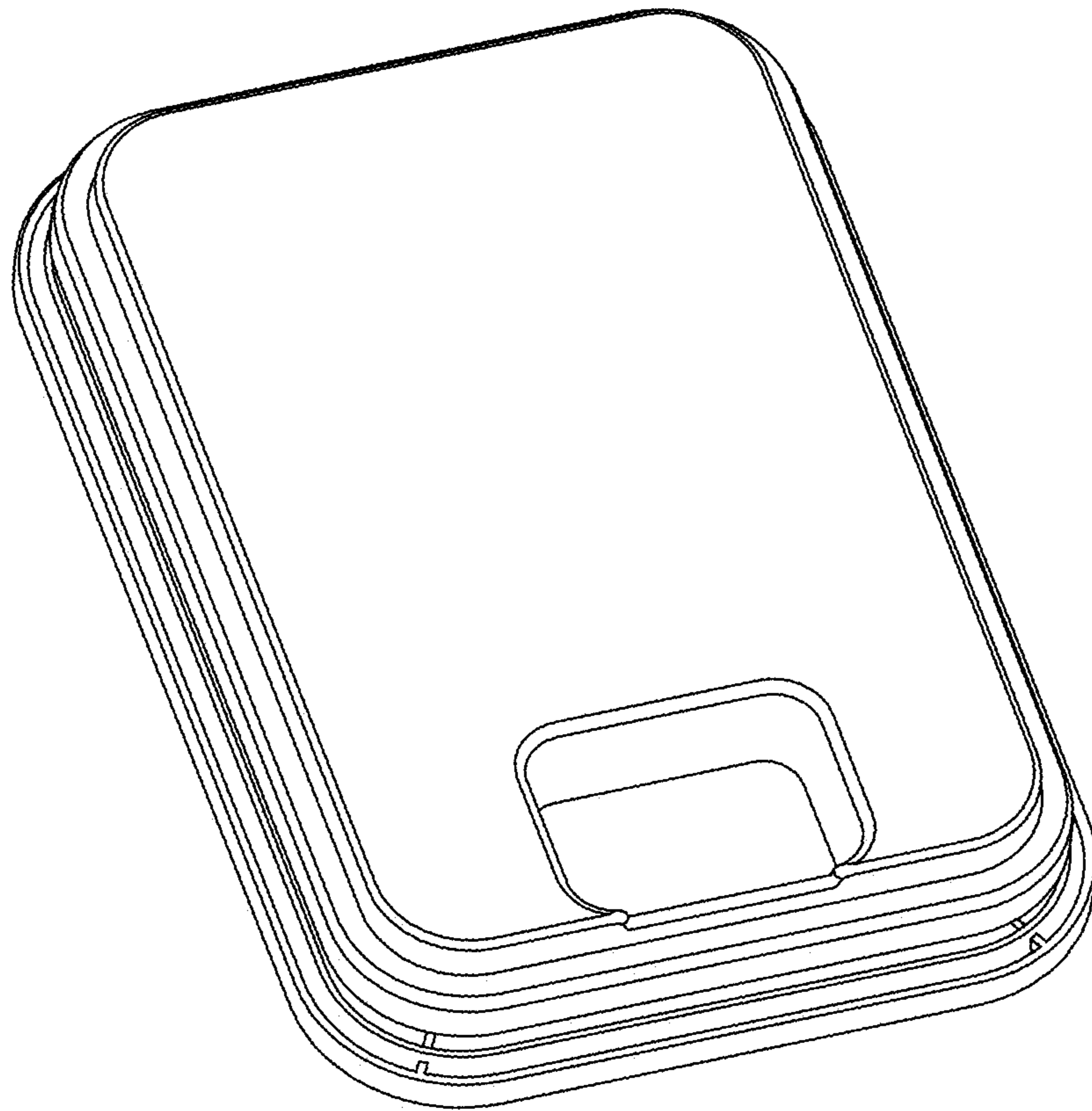


FIG. 8

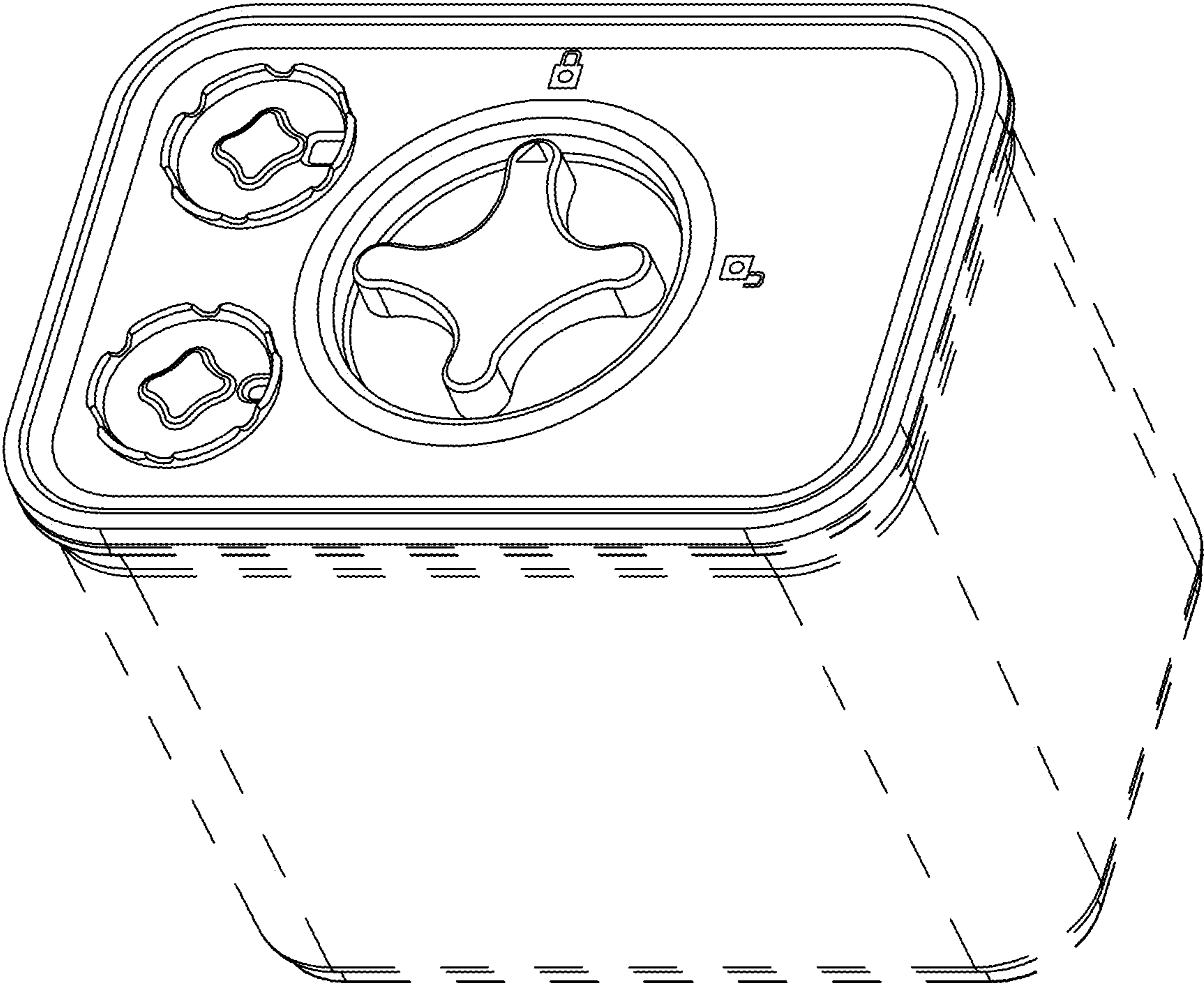


FIG. 9