



US00D942206S

(12) **United States Design Patent** (10) **Patent No.:** **US D942,206 S**  
**Seo et al.** (45) **Date of Patent:** **\*\* Feb. 1, 2022**

(54) **LID FOR BLENDER CONTAINER**

(56) **References Cited**

(71) Applicant: **LG ELECTRONICS INC.**, Seoul (KR)

U.S. PATENT DOCUMENTS

(72) Inventors: **Woonkyu Seo**, Seoul (KR); **Miyoung Kim**, Seoul (KR); **Hyun Choi**, Seoul (KR); **Hyeonjeong An**, Seoul (KR)

D261,719 S *	11/1981	Gibiec .....	D7/355
D763,042 S *	8/2016	Shao .....	D7/519
D797,488 S *	9/2017	Silsby .....	D7/319
D810,491 S *	2/2018	Naden .....	D7/318
D856,734 S *	8/2019	Lee .....	D7/318
D859,063 S *	9/2019	Lee .....	D7/378
D859,076 S *	9/2019	Lee .....	D7/413
D880,926 S *	4/2020	Thun .....	D7/317
D919,355 S *	5/2021	Seo .....	D7/378
D919,367 S *	5/2021	Seo .....	D7/413
D920,032 S *	5/2021	McConnell .....	D7/378
D923,390 S *	6/2021	You .....	D7/384
2019/0350401 A1 *	11/2019	Zimmermann .....	A47J 31/446

(73) Assignee: **LG Electronics Inc.**, Seoul (KR)

(\*\*) Term: **15 Years**

(21) Appl. No.: **29/725,983**

(22) Filed: **Feb. 28, 2020**

\* cited by examiner

(30) **Foreign Application Priority Data**

*Primary Examiner* — Ricky Pham

Feb. 24, 2020 (KR) ..... 30-2020-0008089

(74) *Attorney, Agent, or Firm* — Birch, Stewart, Kolasch & Birch, LLP

(51) **LOC (13) Cl.** ..... **31-00**

(57) **CLAIM**

(52) **U.S. Cl.**  
USPC ..... **D7/391; D7/376; D7/378; D7/412; D7/413**

The ornamental design for a lid for blender container, as shown and described.

(58) **Field of Classification Search**

**DESCRIPTION**

USPC ..... D7/317-319, 355, 372, 376-386, D7/412-413, 519, 602, 629, 665-666, D7/669, 679, 693-694  
CPC .... A21C 1/02; A21C 1/04; A23N 1/00; A23N 1/02; A47J 43/04; A47J 43/25; A47J 43/27; A47J 43/042; A47J 43/044; A47J 43/046; A47J 43/075; A47J 43/0716; A47J 43/0722; A47J 43/0727; A47J 31/446; B01F 3/00; B01F 3/0807; B01F 3/0853; B01F 13/0059; B01F 13/0064; B02C 1/08; B02C 2/04; B02C 4/42; B02C 4/142; B02C 4/143; B02C 4/423; B02C 13/1835; B28C 5/10; B28C 5/12; B28C 5/14; B28C 5/16

FIG. 1 is a front, right side, perspective view of a lid for blender container showing our new design;  
FIG. 2 is a front view thereof;  
FIG. 3 is a rear view thereof;  
FIG. 4 is a left side view thereof;  
FIG. 5 is a right side view thereof;  
FIG. 6 is a top view thereof;  
FIG. 7 is a bottom view thereof;  
FIG. 8 is a reference view thereof; and,  
FIG. 9 is a reference view.

The broken lines indicate portions of the article that form no part of the claimed design.

See application file for complete search history.

**1 Claim, 4 Drawing Sheets**

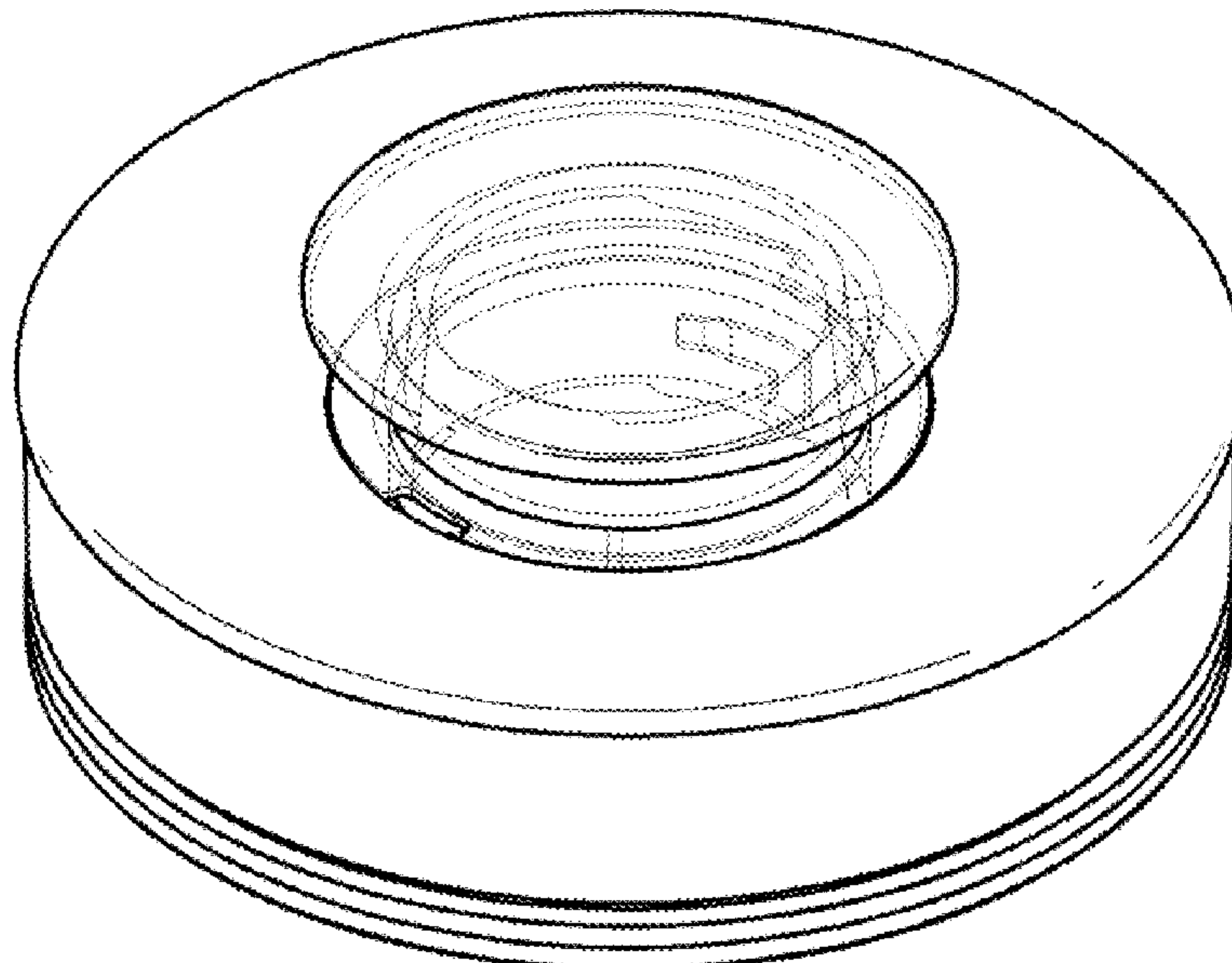


FIG. 1

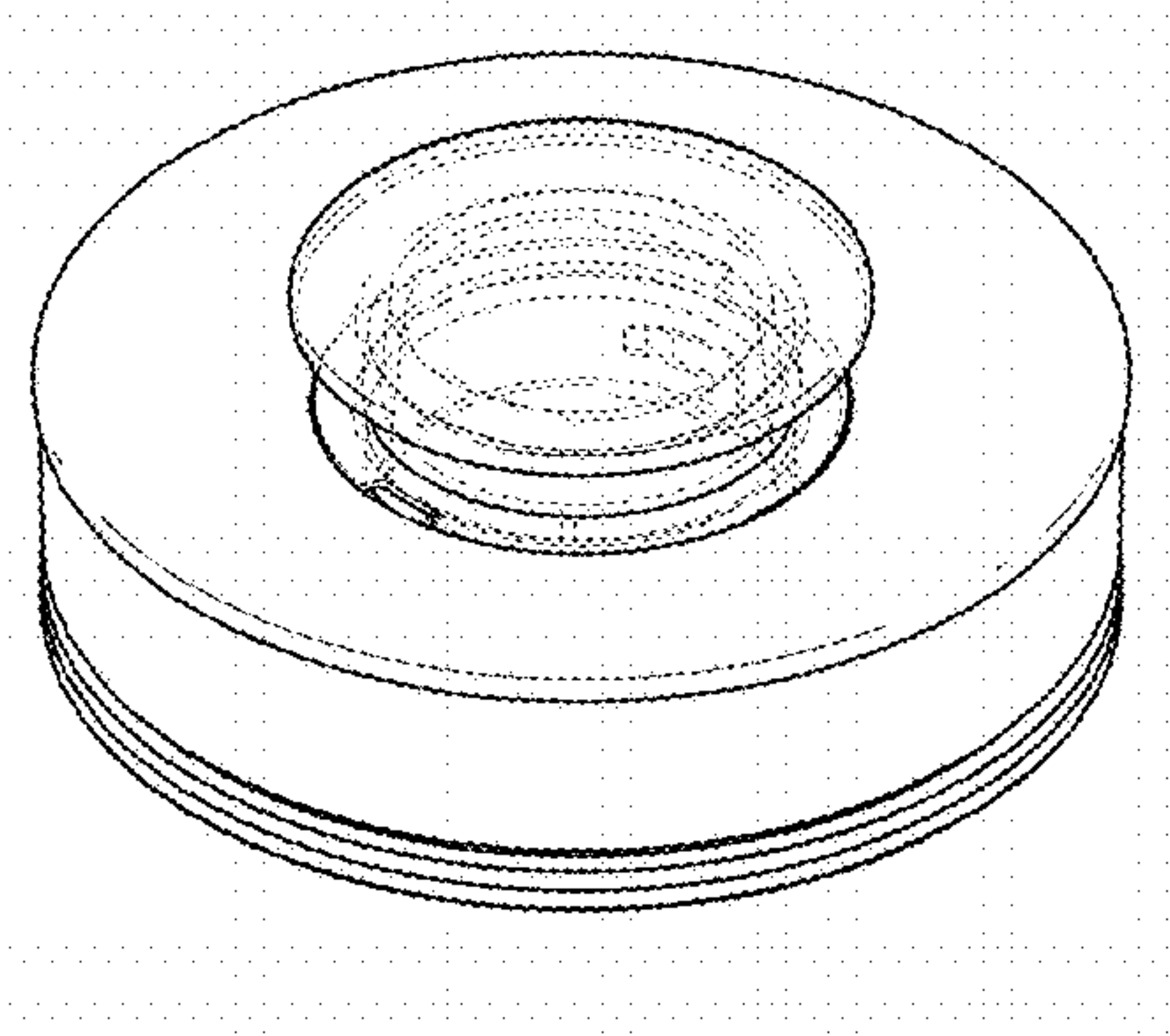


FIG. 2

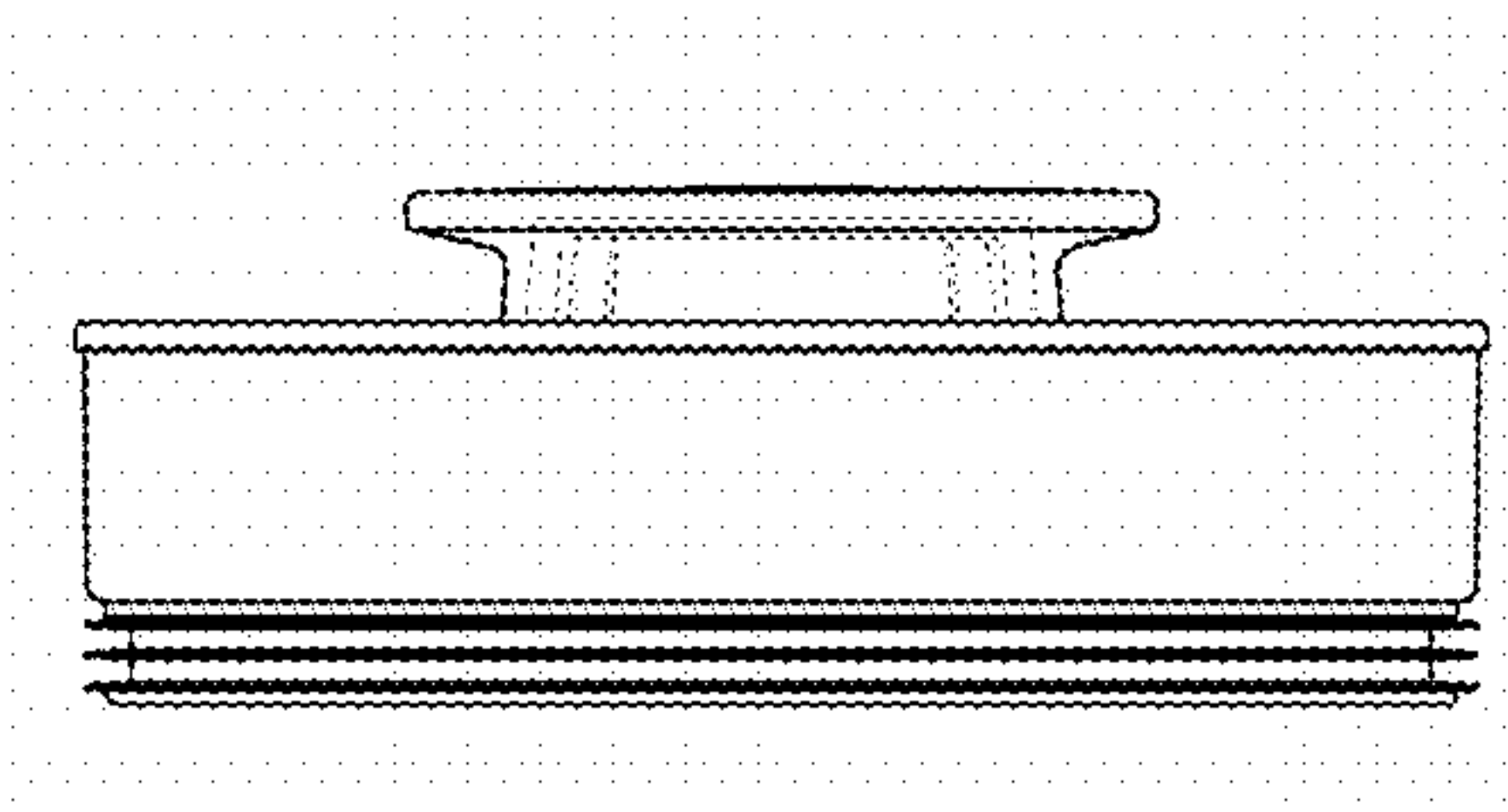


FIG. 3

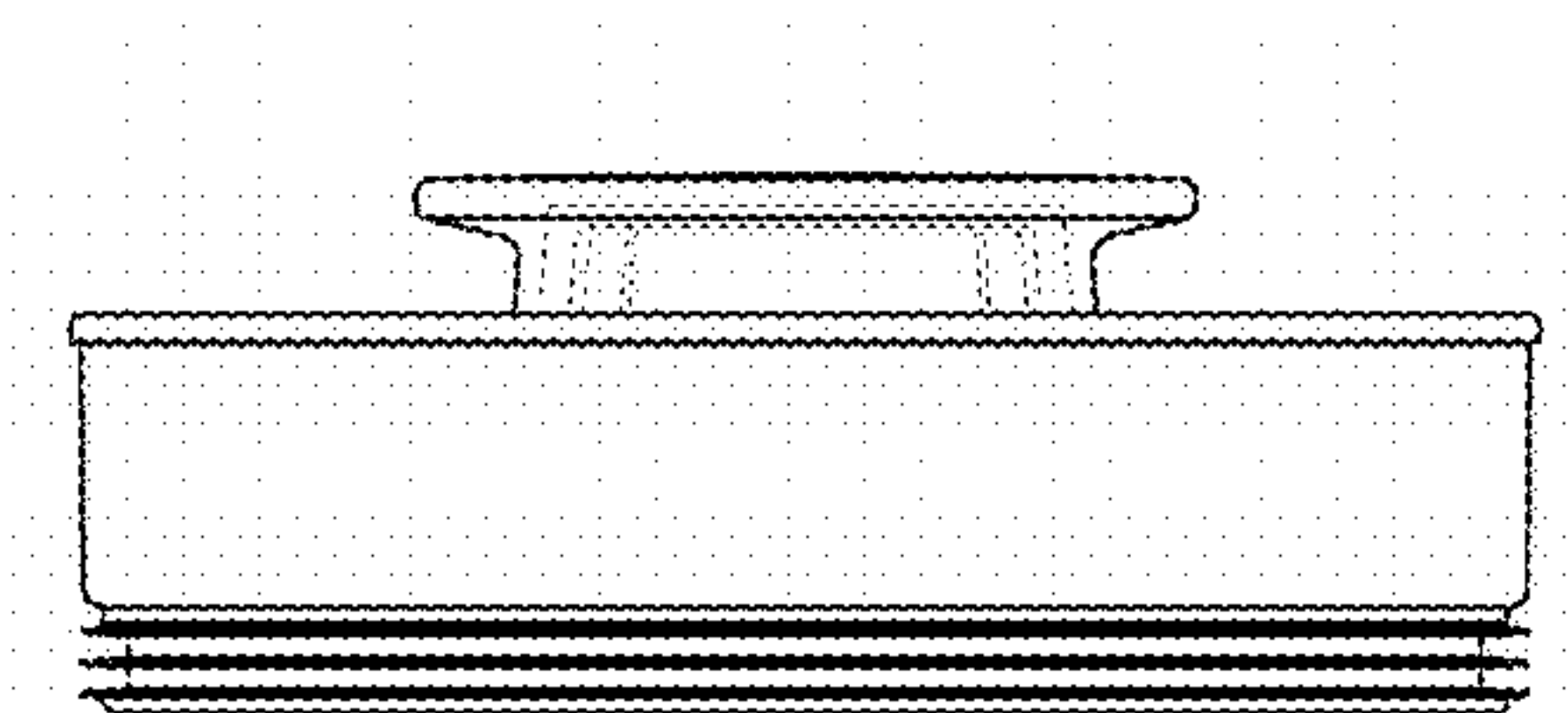


FIG. 4

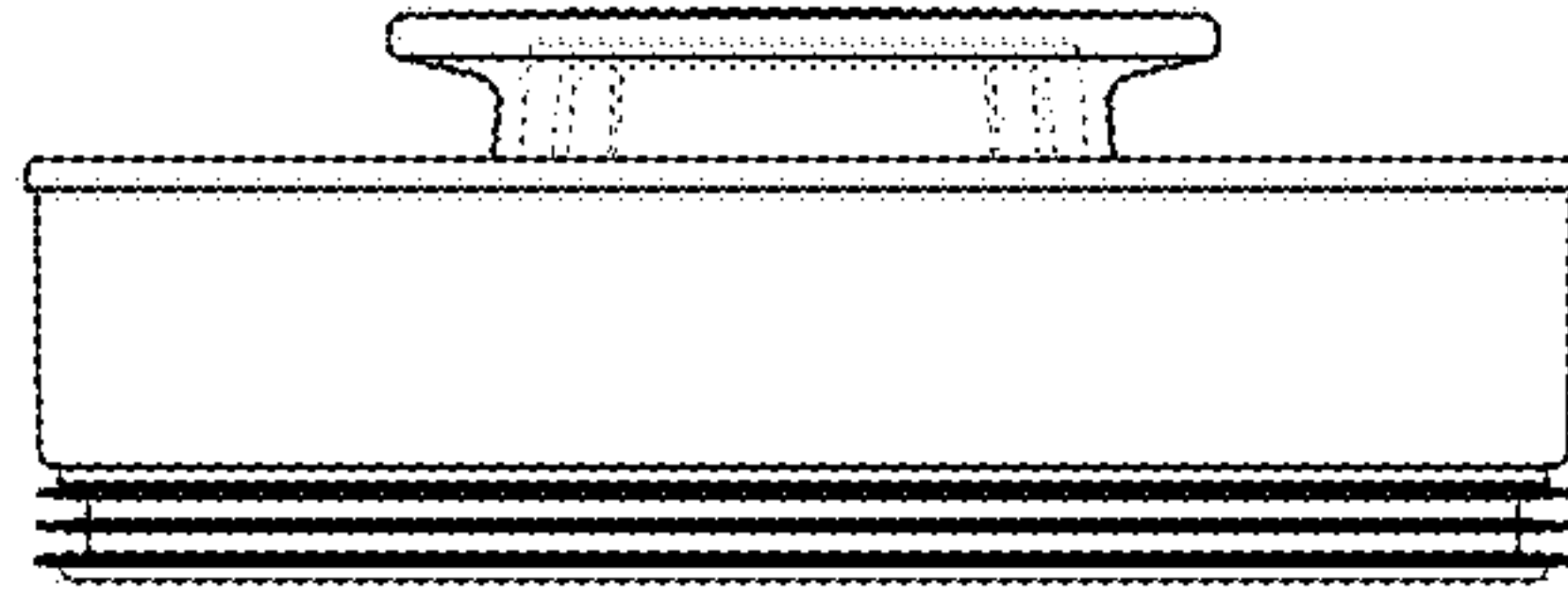


FIG. 5

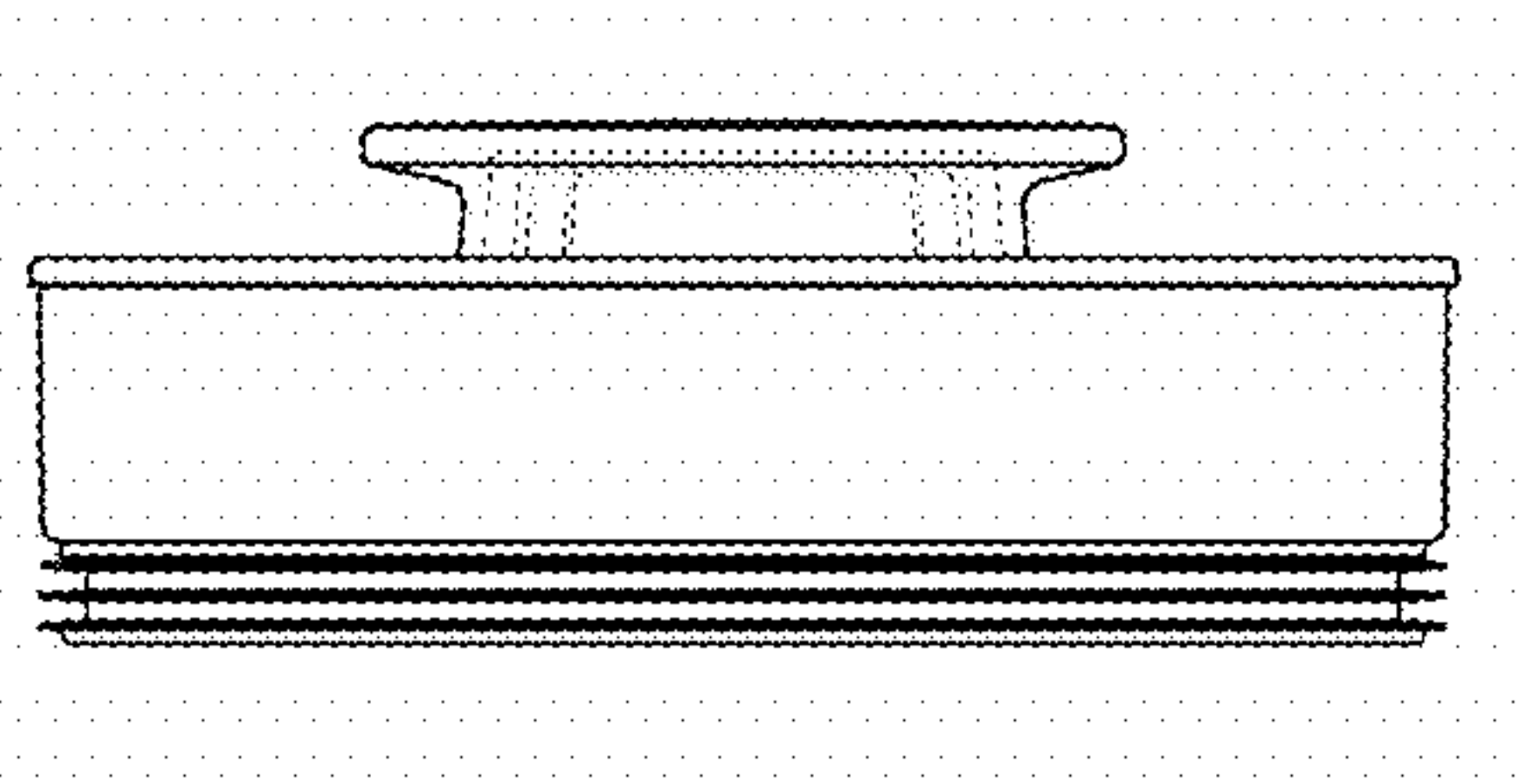


FIG. 6

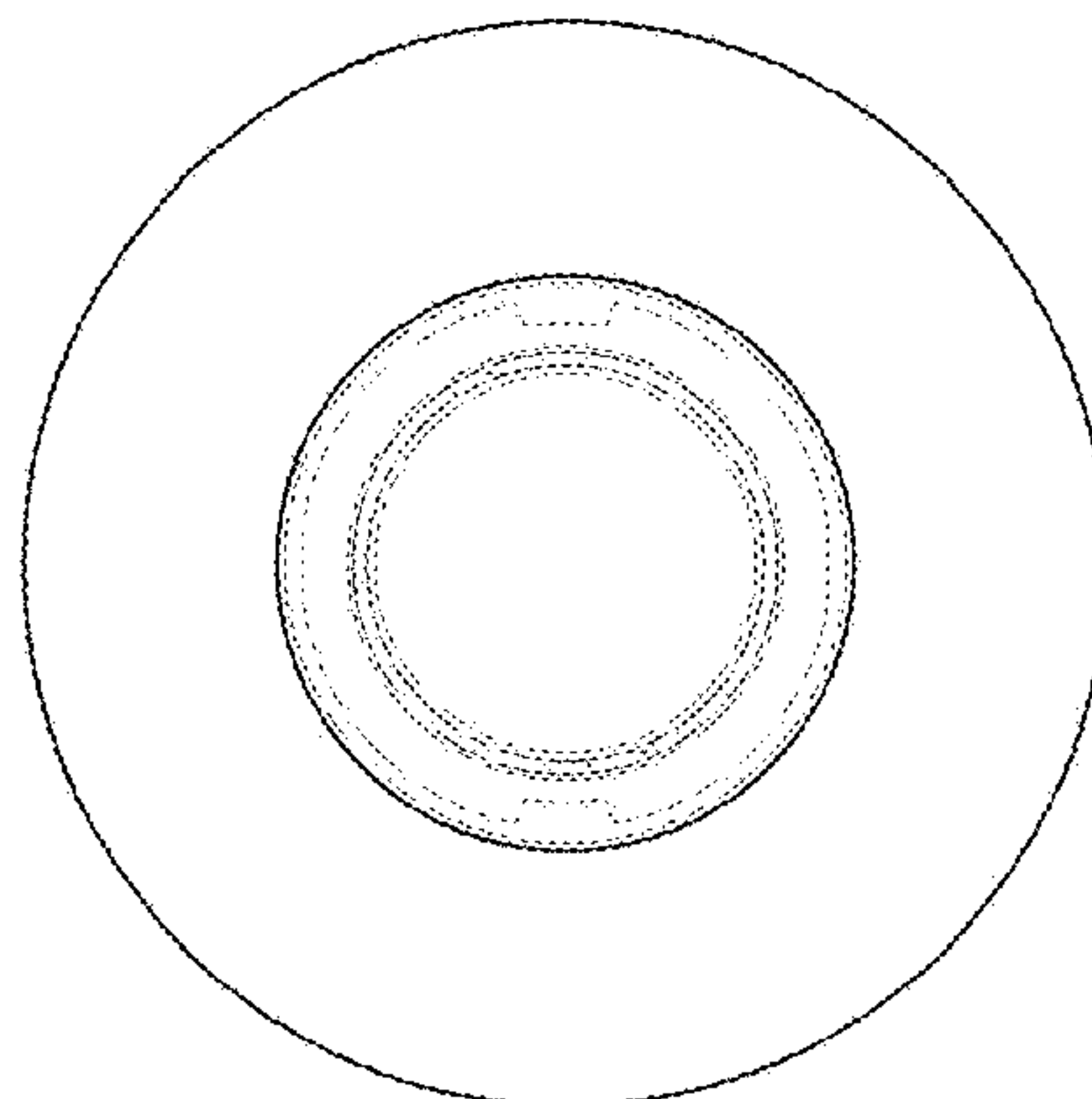


FIG. 7

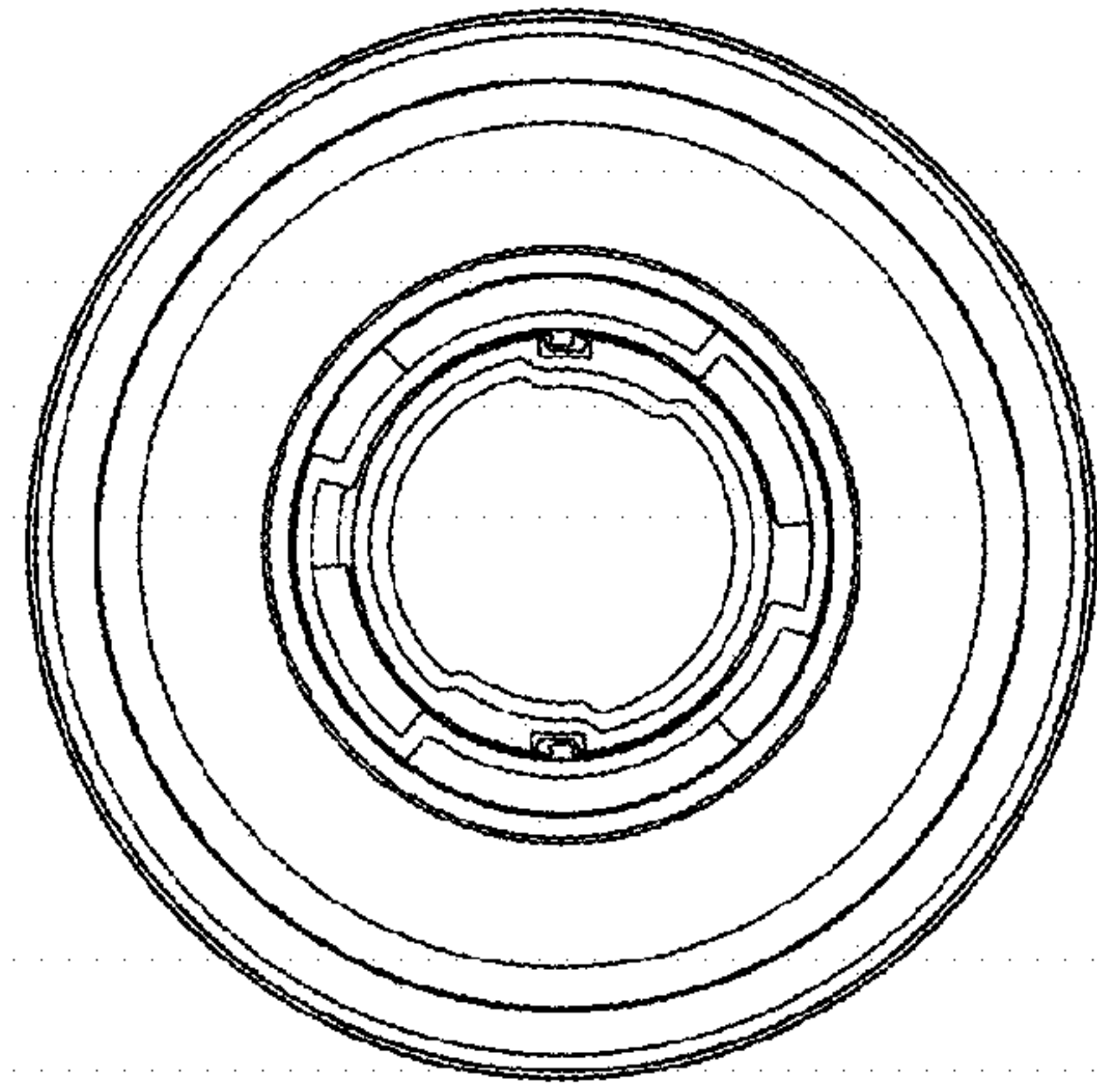


FIG. 8

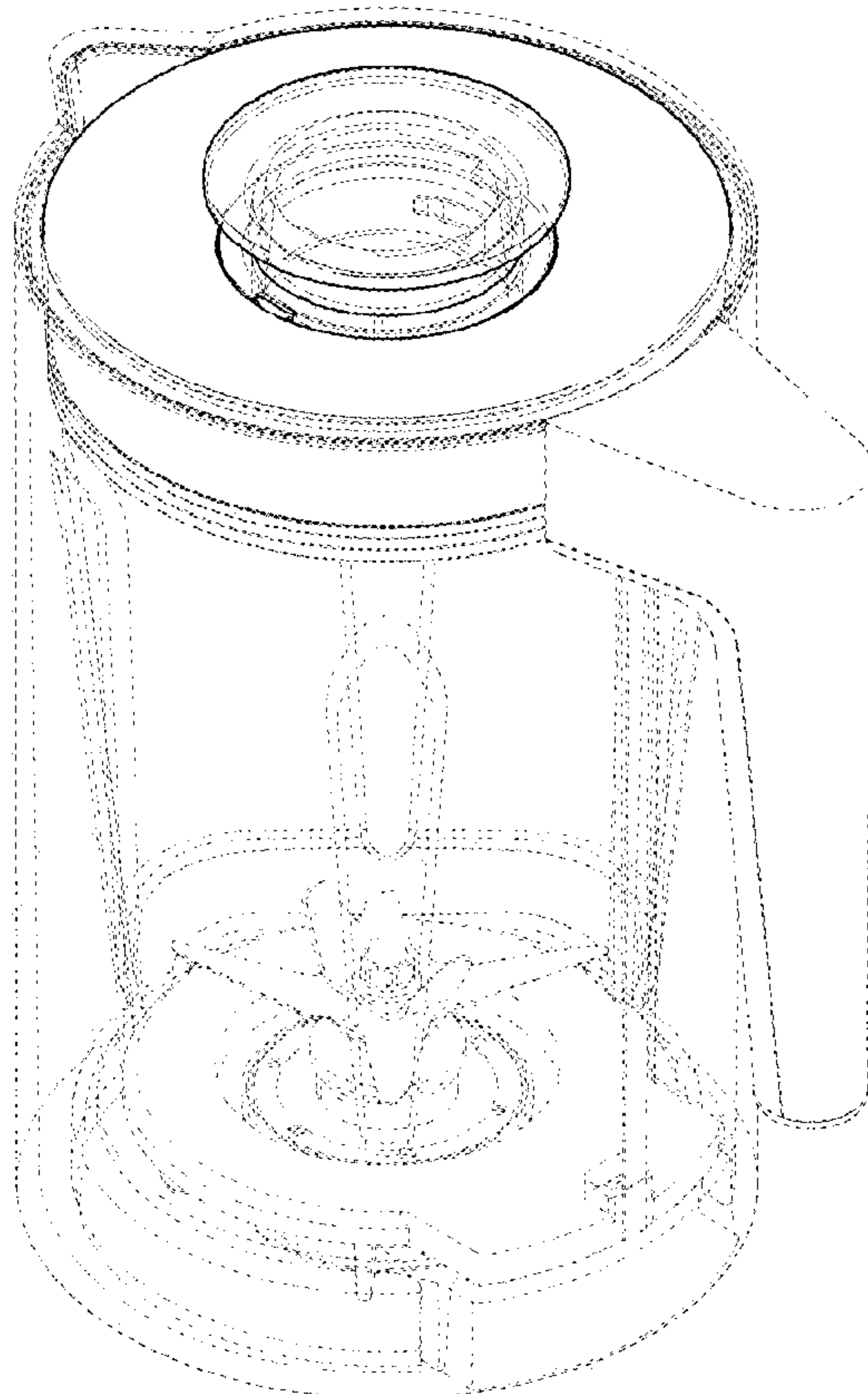




FIG. 9

