



US00D942204S

(12) **United States Design Patent** (10) **Patent No.:** **US D942,204 S**
Liu (45) **Date of Patent:** **** Feb. 1, 2022**

(54) **STEAMER RACK**
(71) Applicant: **Yang Liu**, Laohekou (CN)
(72) Inventor: **Yang Liu**, Laohekou (CN)
(**) Term: **15 Years**
(21) Appl. No.: **29/775,628**
(22) Filed: **Mar. 24, 2021**
(51) **LOC (13) Cl.** **07-02**
(52) **U.S. Cl.**
USPC **D7/354**; D7/409
(58) **Field of Classification Search**
USPC D7/323, 354–363, 391, 393–396, 409,
D7/667
CPC A21B 3/137; A47G 19/12; A47J 27/00;
A47J 27/002; A47J 27/04; A47J 27/08;
A47J 27/21; A47J 27/58; A47J 36/025;
A47J 36/06; A47J 36/12; A47J 37/00;
A47J 37/01; A47J 37/10; A47J 37/101;
A47J 37/103; A47J 37/12; A47J 37/1204;
A47J 45/061; A47J 45/071; A47J 45/08;
H05B 6/12
See application file for complete search history.

D622,539 S * 8/2010 Simon D7/354
9,220,277 B1 * 12/2015 Allen A21B 3/137
D771,998 S 11/2016 Affatato
9,532,676 B1 * 1/2017 Winfield A21B 3/137
D821,140 S * 6/2018 Mirchandani D7/409
D830,100 S * 10/2018 Mirchandani D7/354
D850,200 S 6/2019 Jiang
D860,726 S 9/2019 Tsai
2011/0088566 A1 * 4/2011 Doxie A47J 37/01
99/426
2012/0024865 A1 * 2/2012 Riedl A21B 3/137
220/573.1

OTHER PUBLICATIONS

Zulay Premium Springform Pan 9 Inch Nonstick Cheesecake Pan.
Date First Available on Amazon.com Aug. 12, 2019. <https://www.amazon.com/dp/B07RRCKDKH/ref> (Year: 2019).*

* cited by examiner

Primary Examiner — Ricky Pham
(74) *Attorney, Agent, or Firm* — Jinggao Li

(57) **CLAIM**

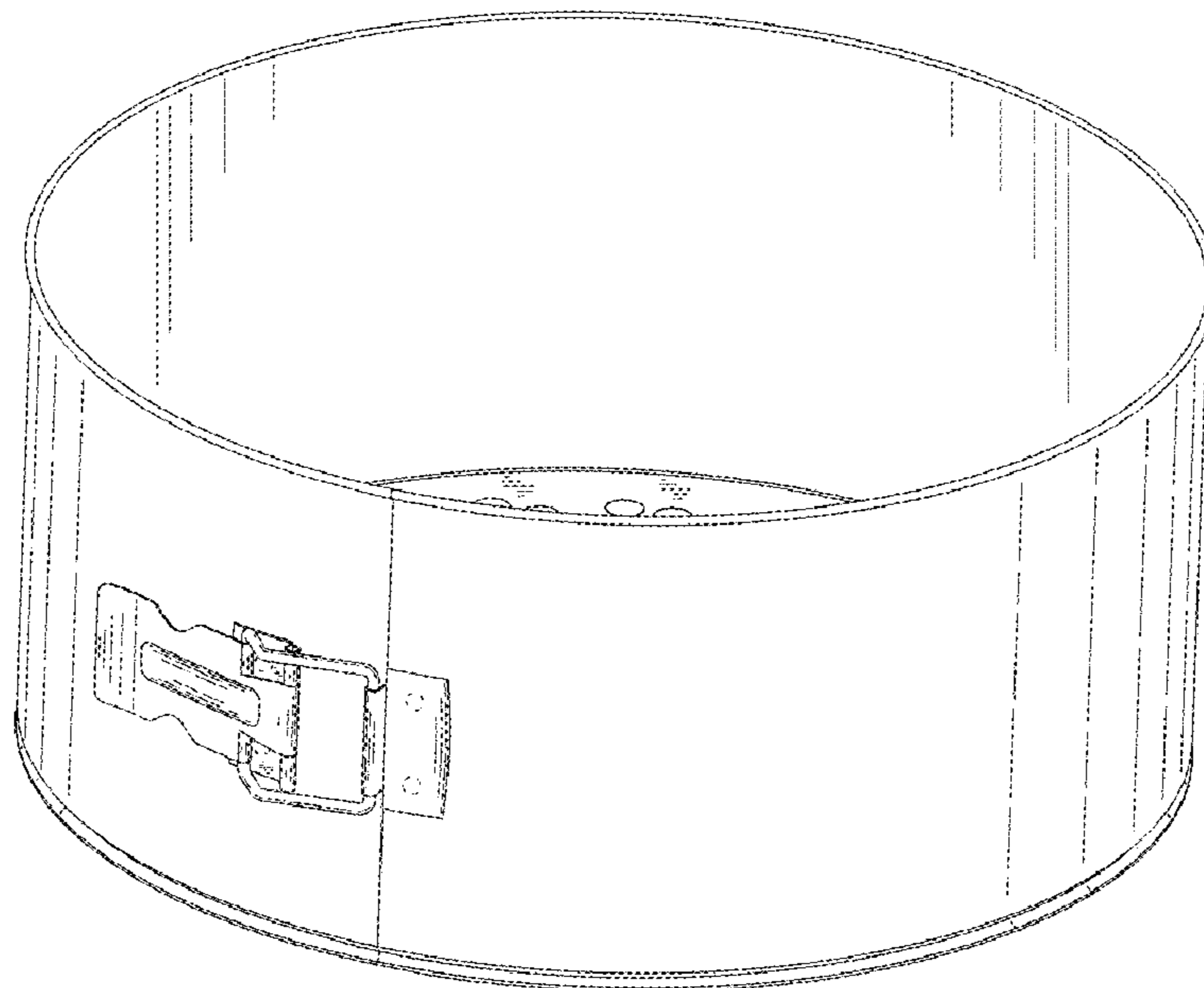
The ornamental design for steamer rack, as shown and described.

DESCRIPTION

FIG. 1 is a perspective view of a steamer rack showing my new design;
FIG. 2 is a front view thereof;
FIG. 3 is a rear view thereof;
FIG. 4 is a left side view thereof;
FIG. 5 is a right side view thereof;
FIG. 6 is a top plan view thereof; and,
FIG. 7 is a bottom plan view thereof.
The broken lines depict portions of the steamer rack and form no part of the claimed design.

1 Claim, 7 Drawing Sheets

(56) **References Cited**
U.S. PATENT DOCUMENTS
559,788 A * 5/1896 Perrottet A21B 3/137
249/170
D255,751 S * 7/1980 Daenen D7/667
4,644,858 A * 2/1987 Liotto A21B 3/137
219/725
4,739,698 A * 4/1988 Allaire A47J 27/04
126/369
5,768,980 A * 6/1998 Degen A21B 3/137
99/426
D420,864 S * 2/2000 Kenney D7/667



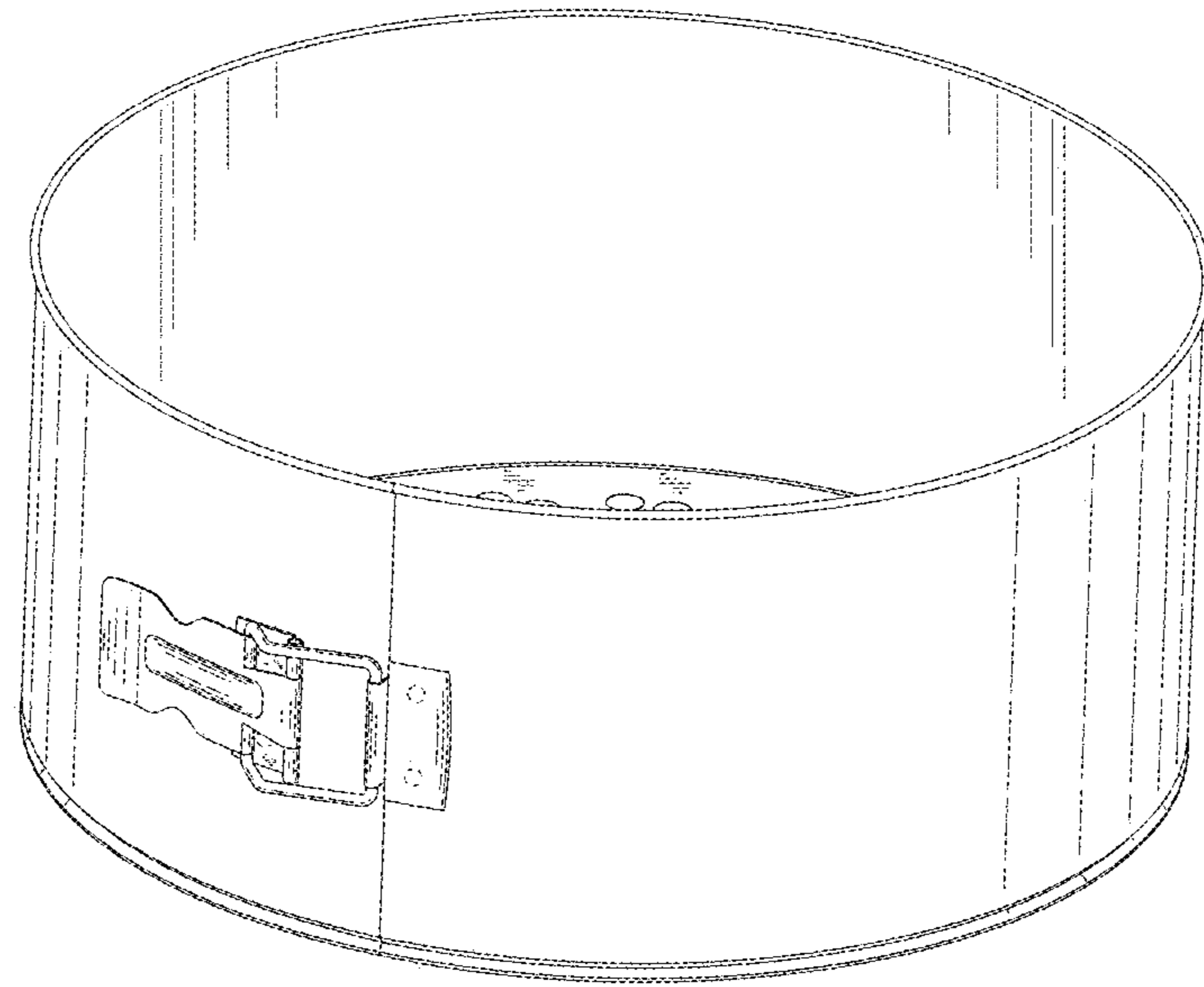


FIG. 1

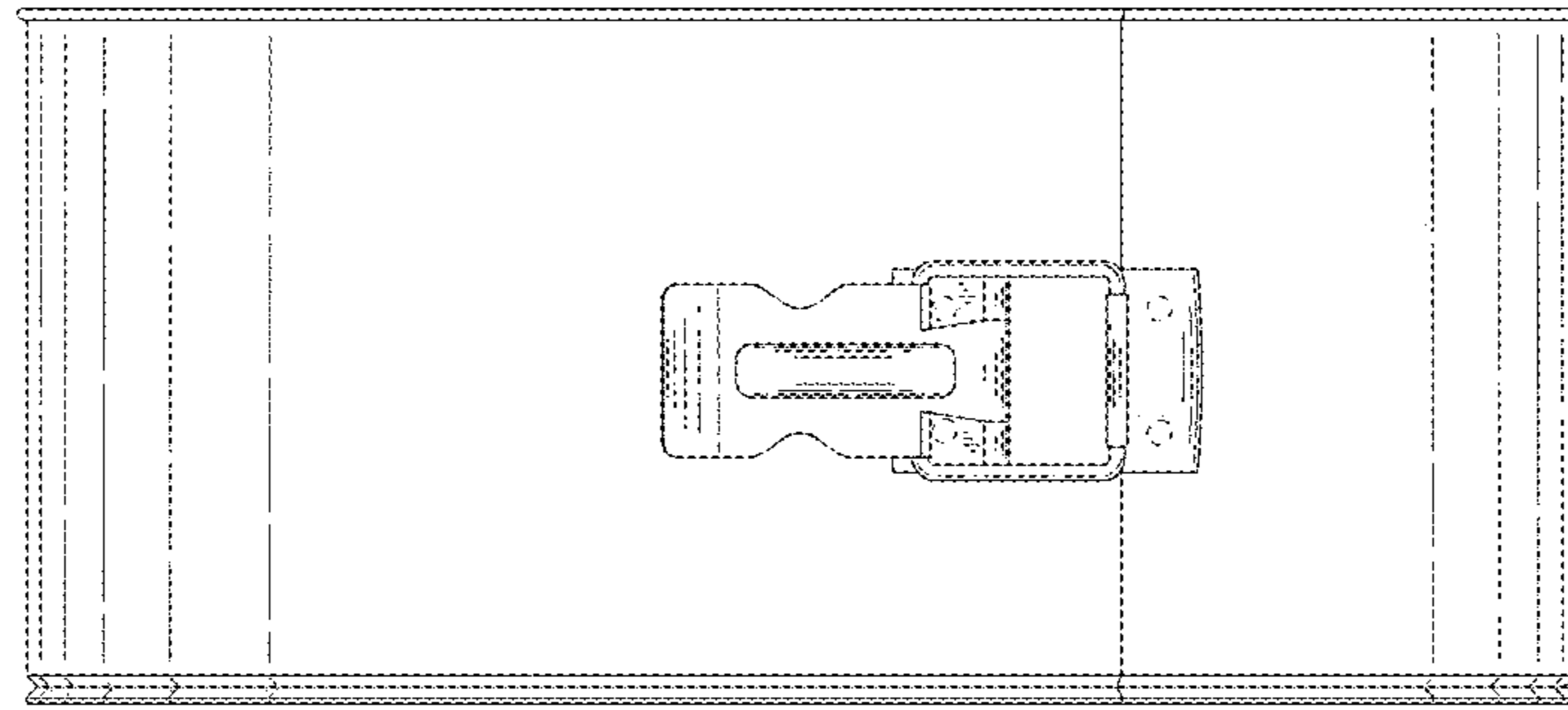


FIG. 2

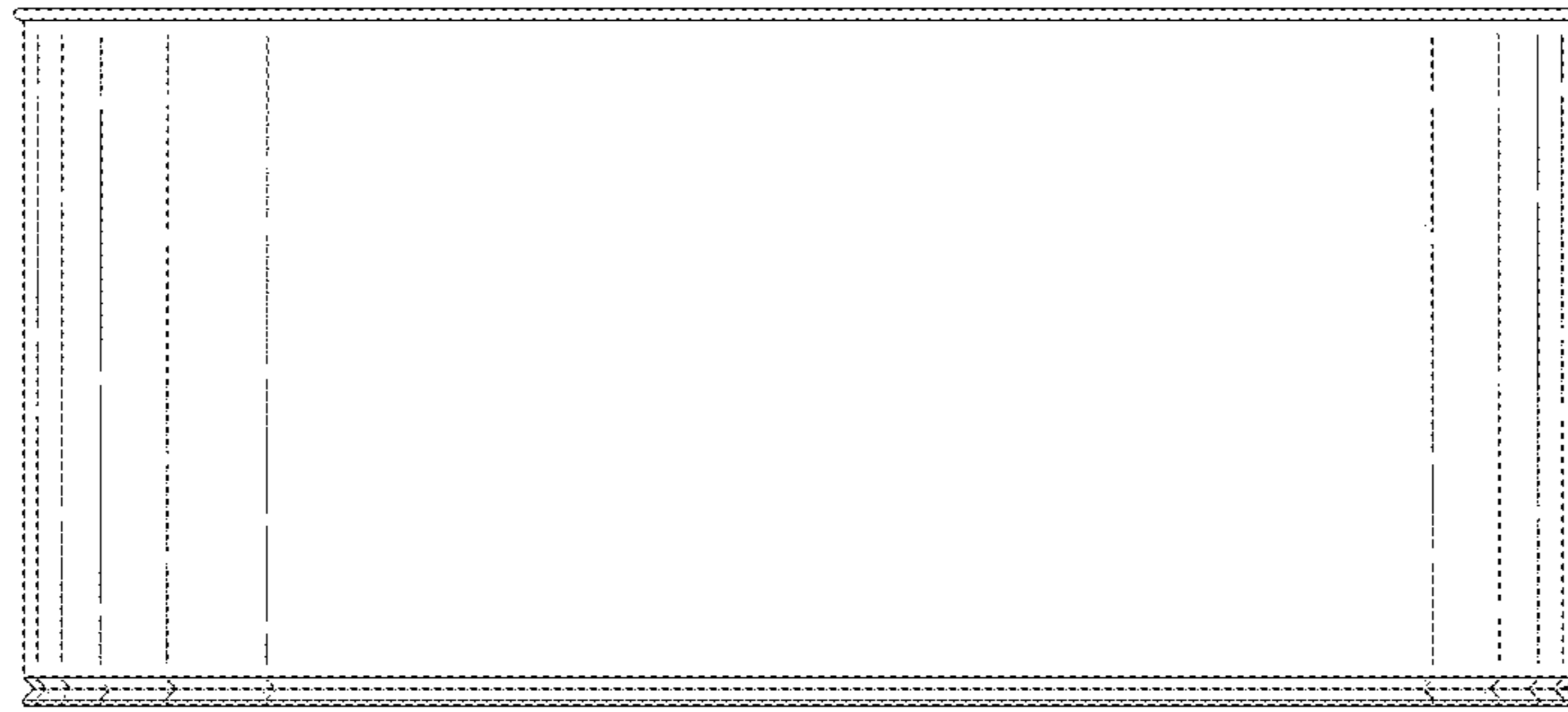


FIG. 3

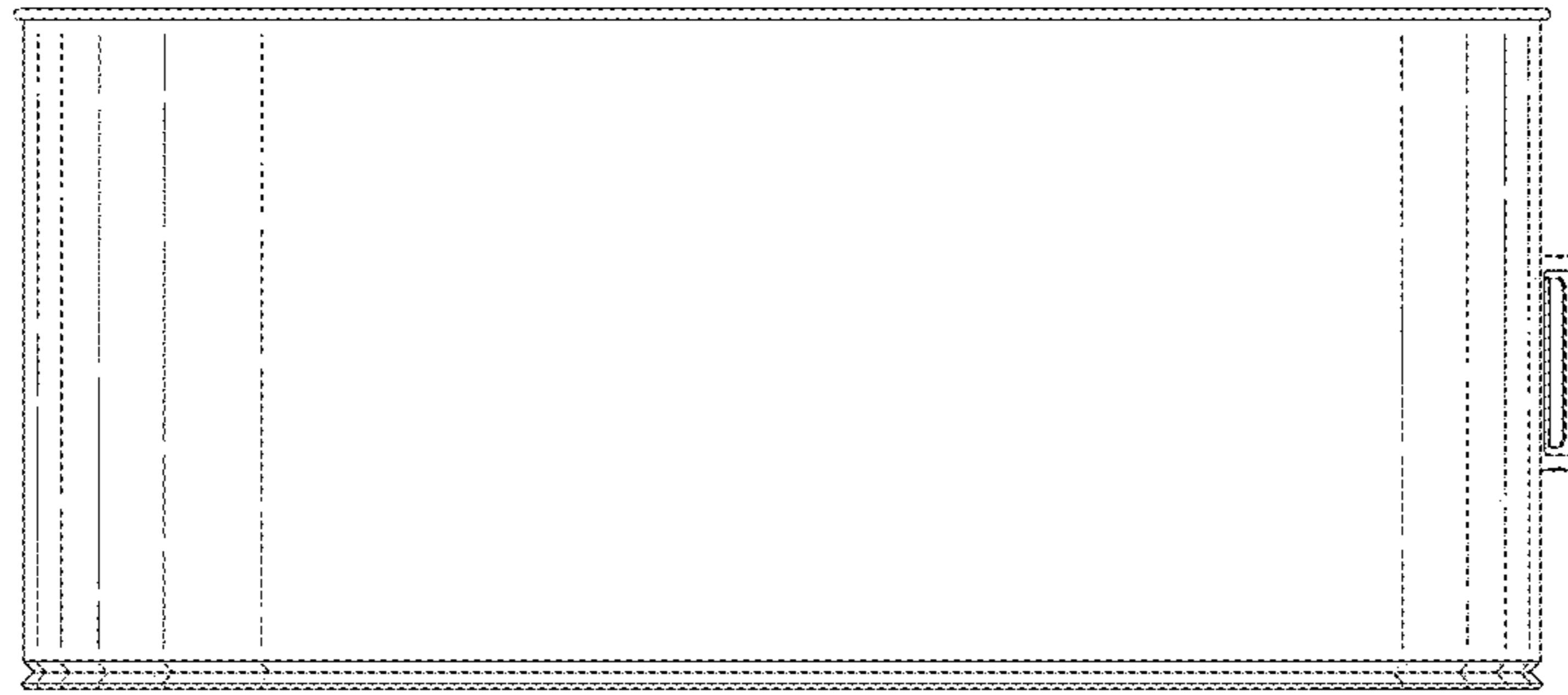


FIG. 4

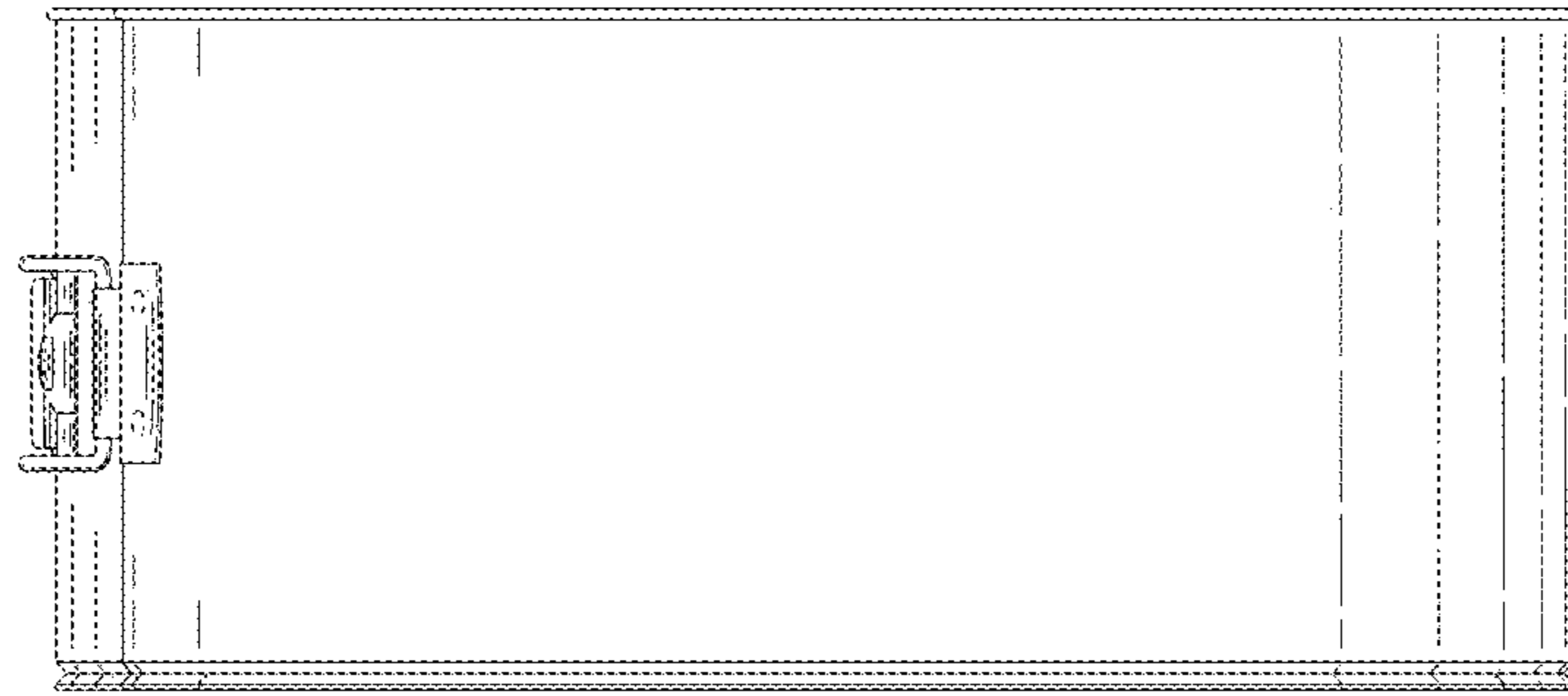


FIG. 5

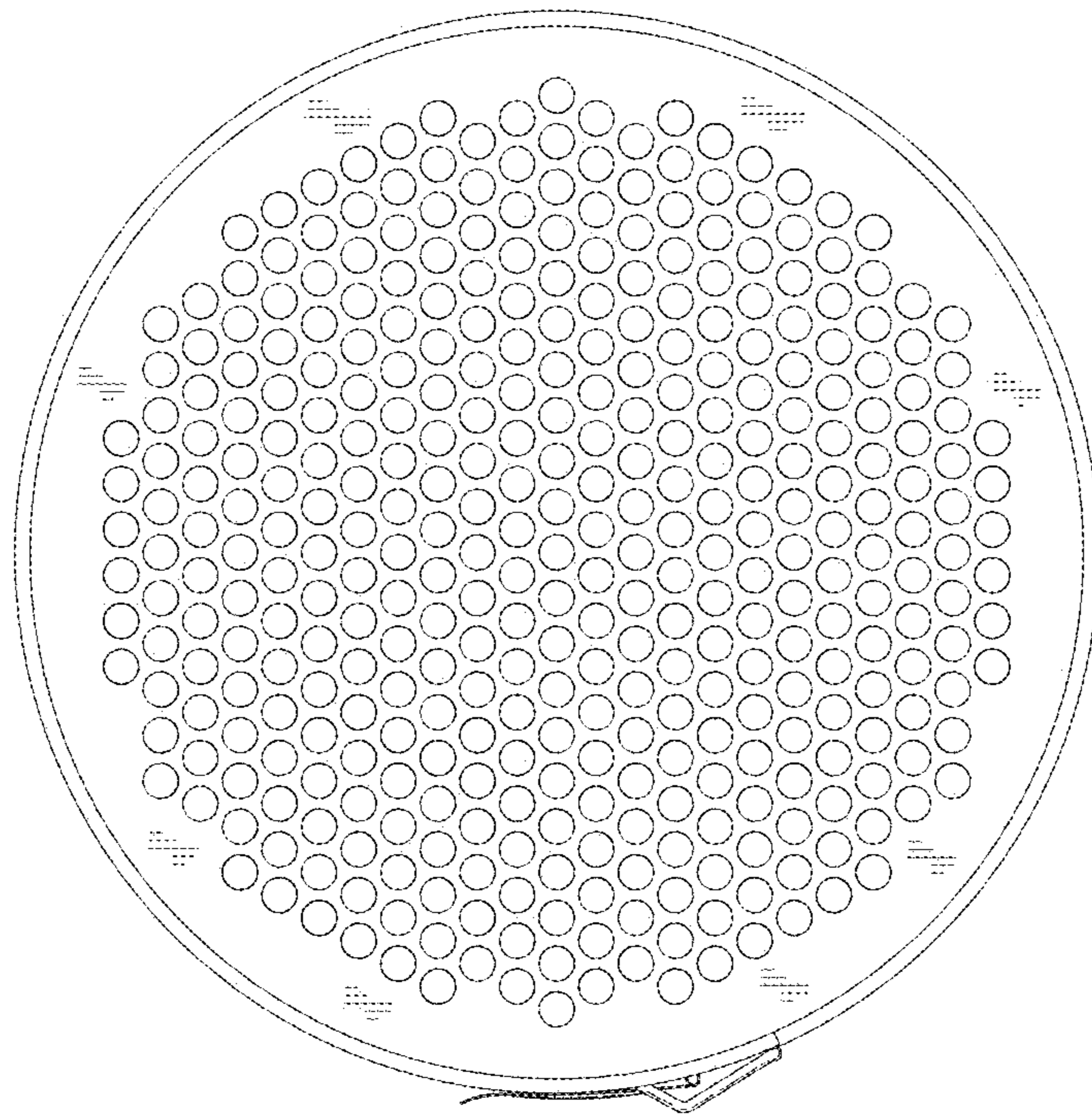


FIG. 6

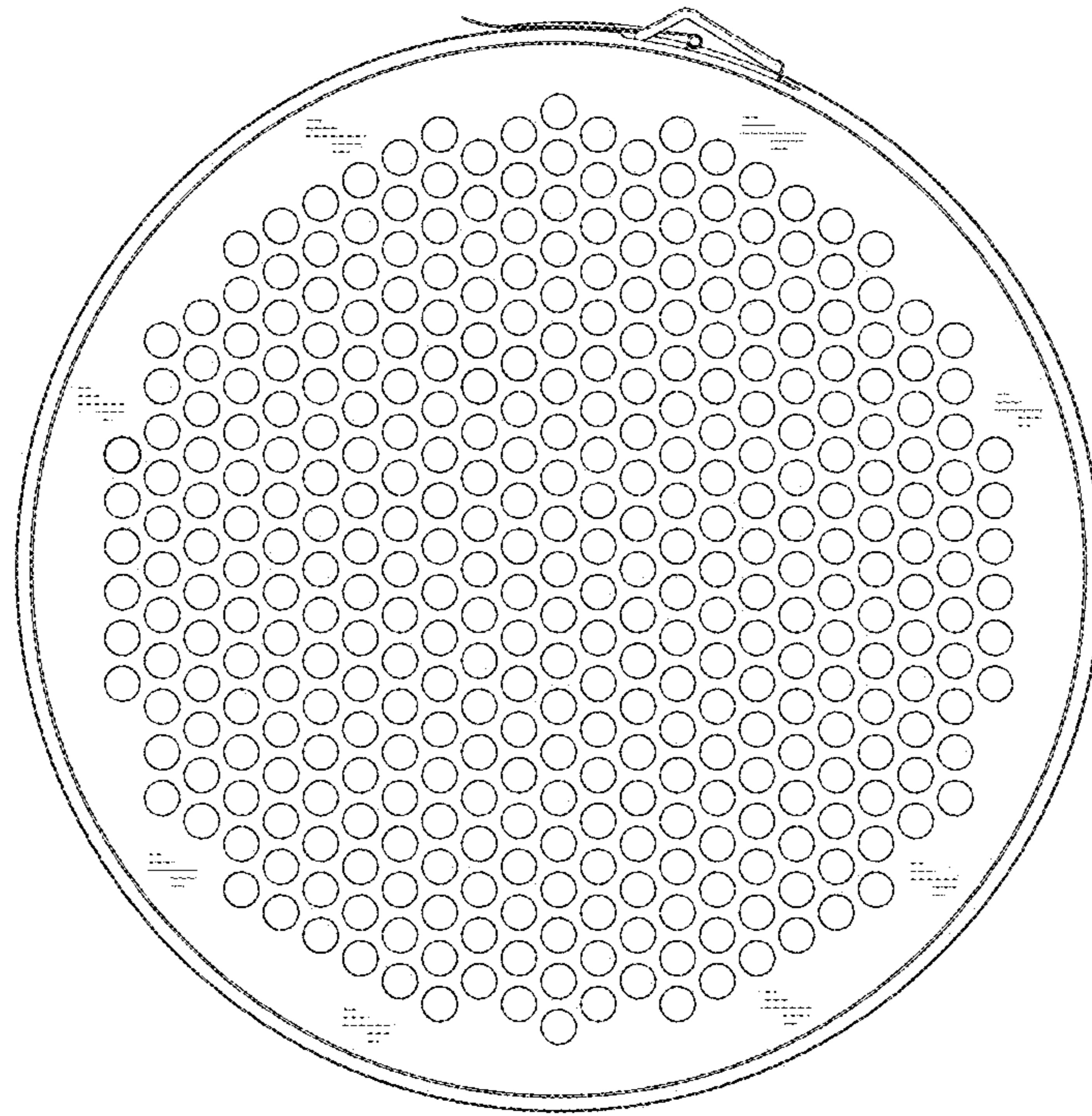


FIG. 7