



US00D942203S

(12) **United States Design Patent**
Jiang et al.

(10) **Patent No.:** **US D942,203 S**
(45) **Date of Patent:** **** Feb. 1, 2022**

(54) **STOVE**

(71) Applicant: **SHENZHEN BAILU OUTDOOR PRODUCTS CO., LTD**, Shenzhen (CN)

(72) Inventors: **Xincheng Jiang**, Shenzhen (CN); **Meng Yu**, Shenzhen (CN)

(73) Assignee: **SHENZHEN BAILU OUTDOOR PRODUCTS CO., LTD**, Shenzhen (CN)

(**) Term: **15 Years**

(21) Appl. No.: **29/778,774**

(22) Filed: **Apr. 14, 2021**

(51) **LOC (13) Cl.** **07-02**

(52) **U.S. Cl.**
USPC **D7/339**

(58) **Field of Classification Search**
USPC D7/323, 328–334, 339–349, 390, D7/402–406; D8/300–306
CPC ... A21B 2/00; A47J 37/00; A47J 37/06; A47J 37/0611; A47J 37/0754; A47J 37/08; A47J 37/0807; A47J 37/0814; A47J 37/0835; A47J 37/0842; A47J 37/085; A47J 37/0864; A47J 37/0878; A47J 37/0885; A47J 37/0892; F24B 1/202; F24B 1/205; F24C 7/00; F24C 7/002; F24C 7/046; F24C 7/067; F24C 15/02; F24C 15/04; F24C 15/10; F24C 15/102

See application file for complete search history.

(56) **References Cited**

U.S. PATENT DOCUMENTS

1,955,147 A *	4/1934	Remington	F24B 1/205 126/9 R
2,129,371 A *	9/1938	Robinson	F24B 1/202 126/9 R
4,069,806 A *	1/1978	Landry	F24B 1/205 126/301
4,911,140 A *	3/1990	Robinson	F24B 1/205 126/59
5,947,105 A *	9/1999	Scott	F24B 1/202 126/9 R
D521,798 S	5/2006	Wright	
D674,234 S *	1/2013	Todd	D7/334
8,490,614 B1 *	7/2013	Gregory	A47J 37/0754 126/41 R
D769,667 S	10/2016	Ting	
D871,822 S *	1/2020	Hussain	D7/334
2005/0217659 A1 *	10/2005	McClenahan	F24B 1/202 126/25 R

* cited by examiner

Primary Examiner — Ricky Pham

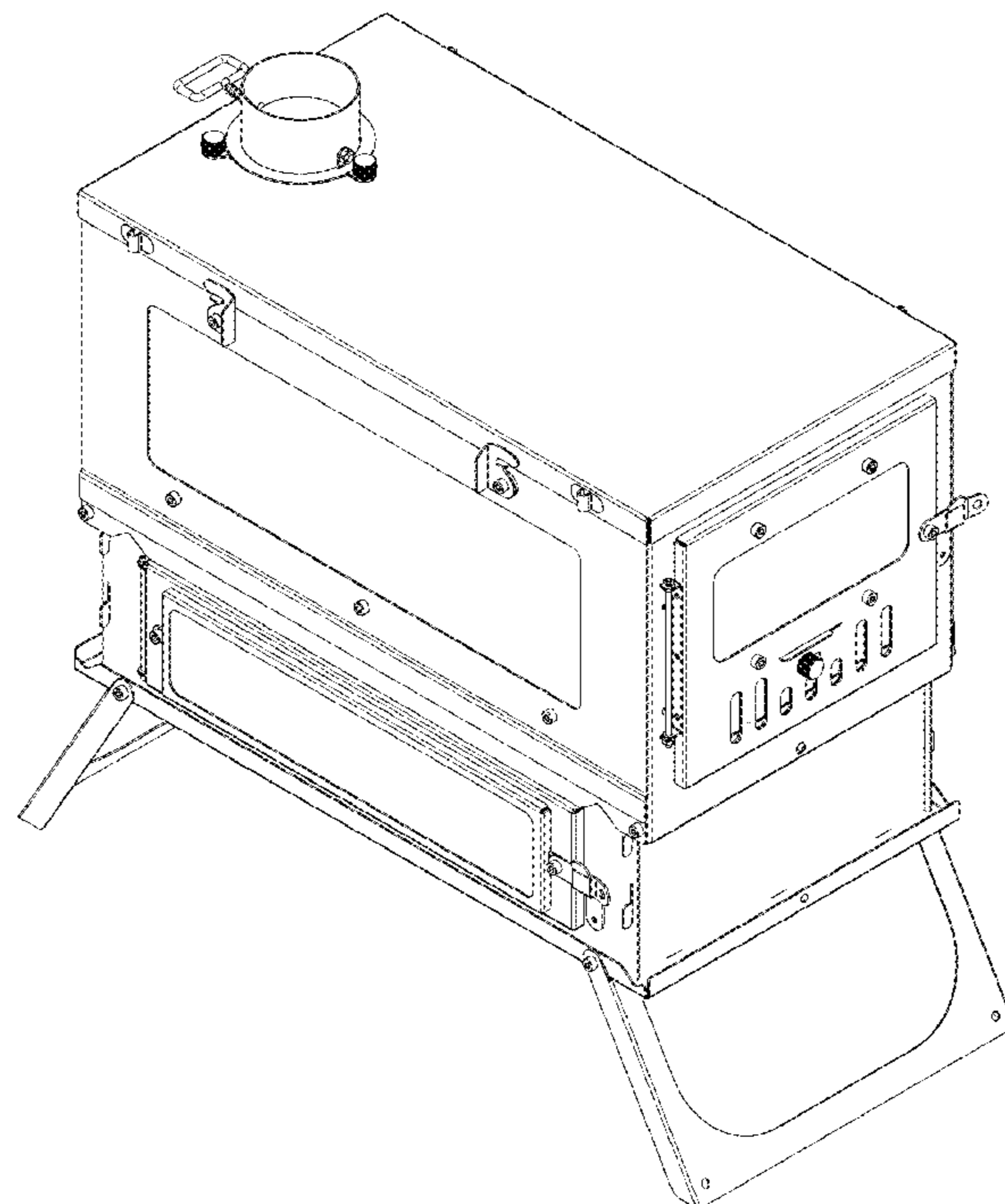
(57) **CLAIM**

The ornamental design for a stove, as shown and described.

DESCRIPTION

FIG. 1 is a perspective view of a stove showing our new design;
FIG. 2 is a right side elevational view thereof;
FIG. 3 is a left side elevational view thereof;
FIG. 4 is a front elevational view thereof;
FIG. 5 is a rear elevational view thereof;
FIG. 6 is a top plan view thereof; and,
FIG. 7 is a bottom plan view thereof.

1 Claim, 7 Drawing Sheets



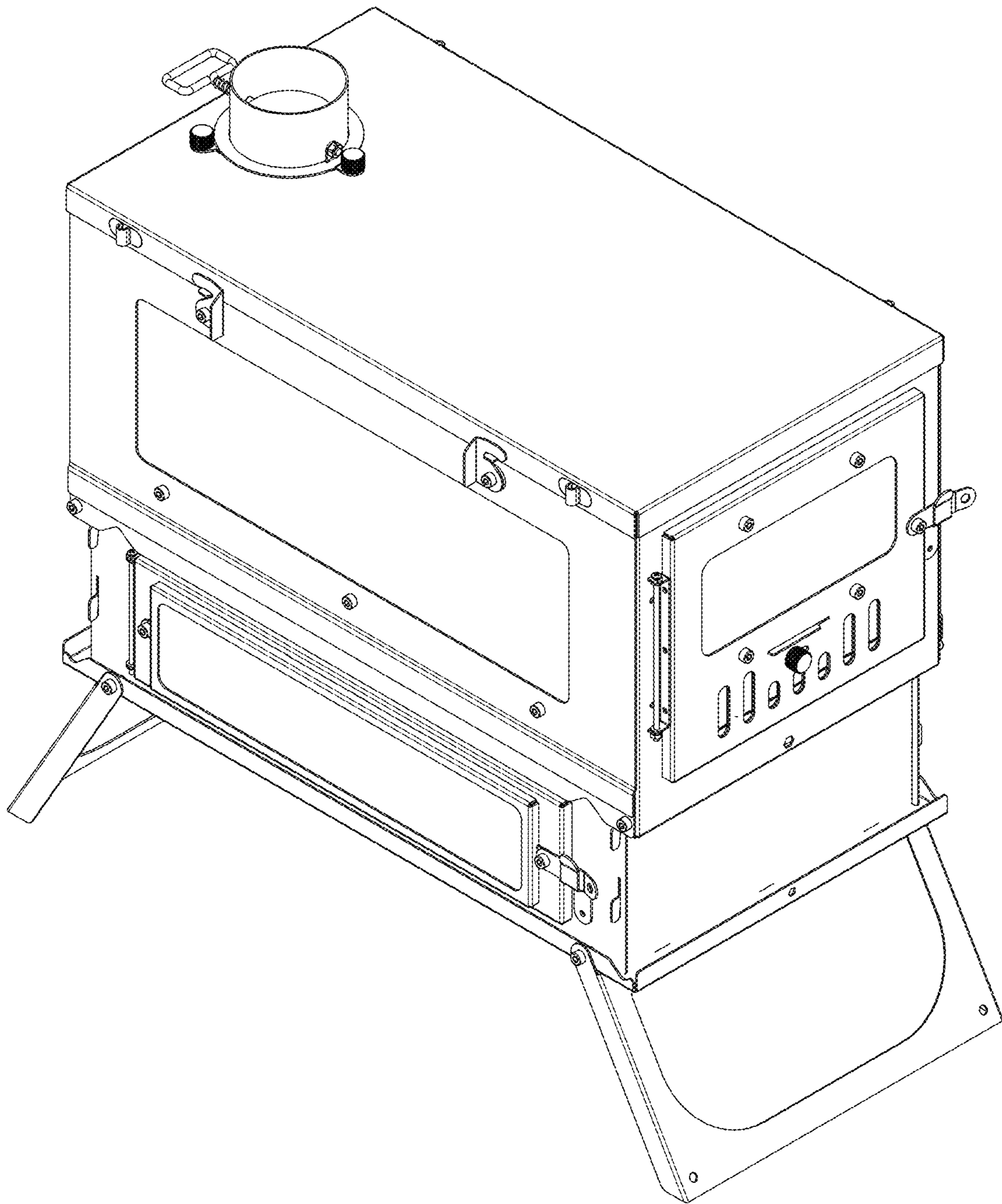


FIG. 1

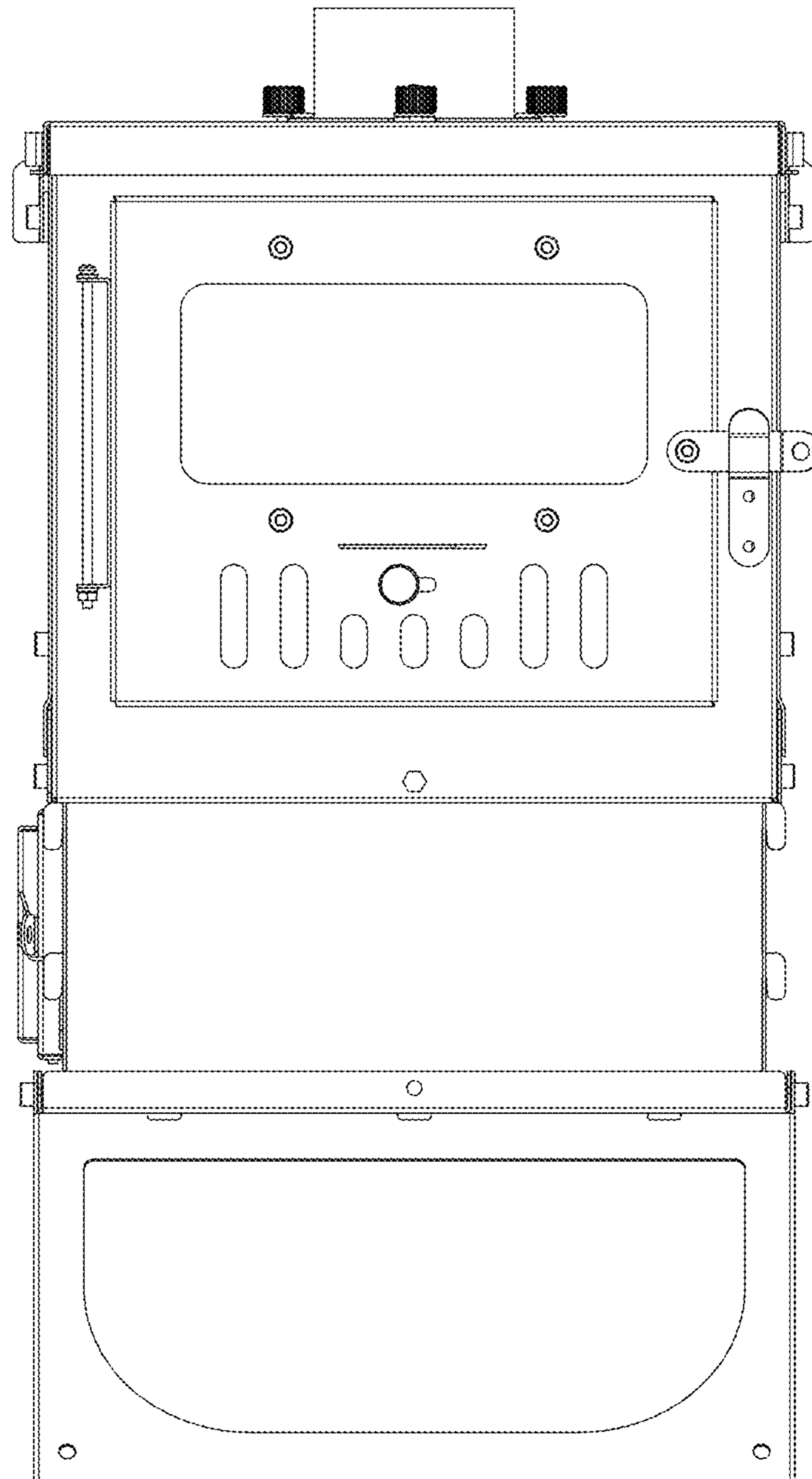


FIG. 2

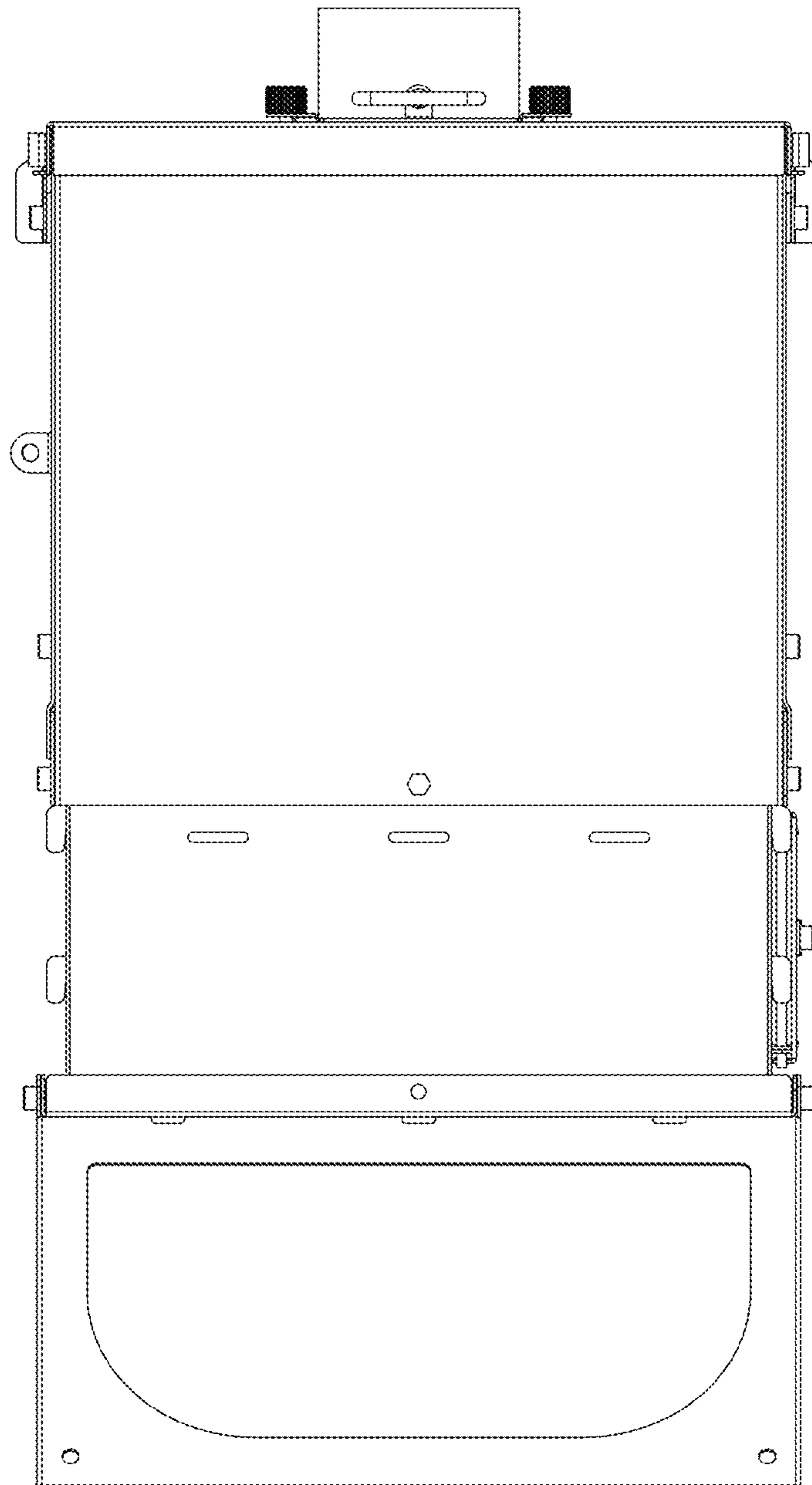


FIG. 3

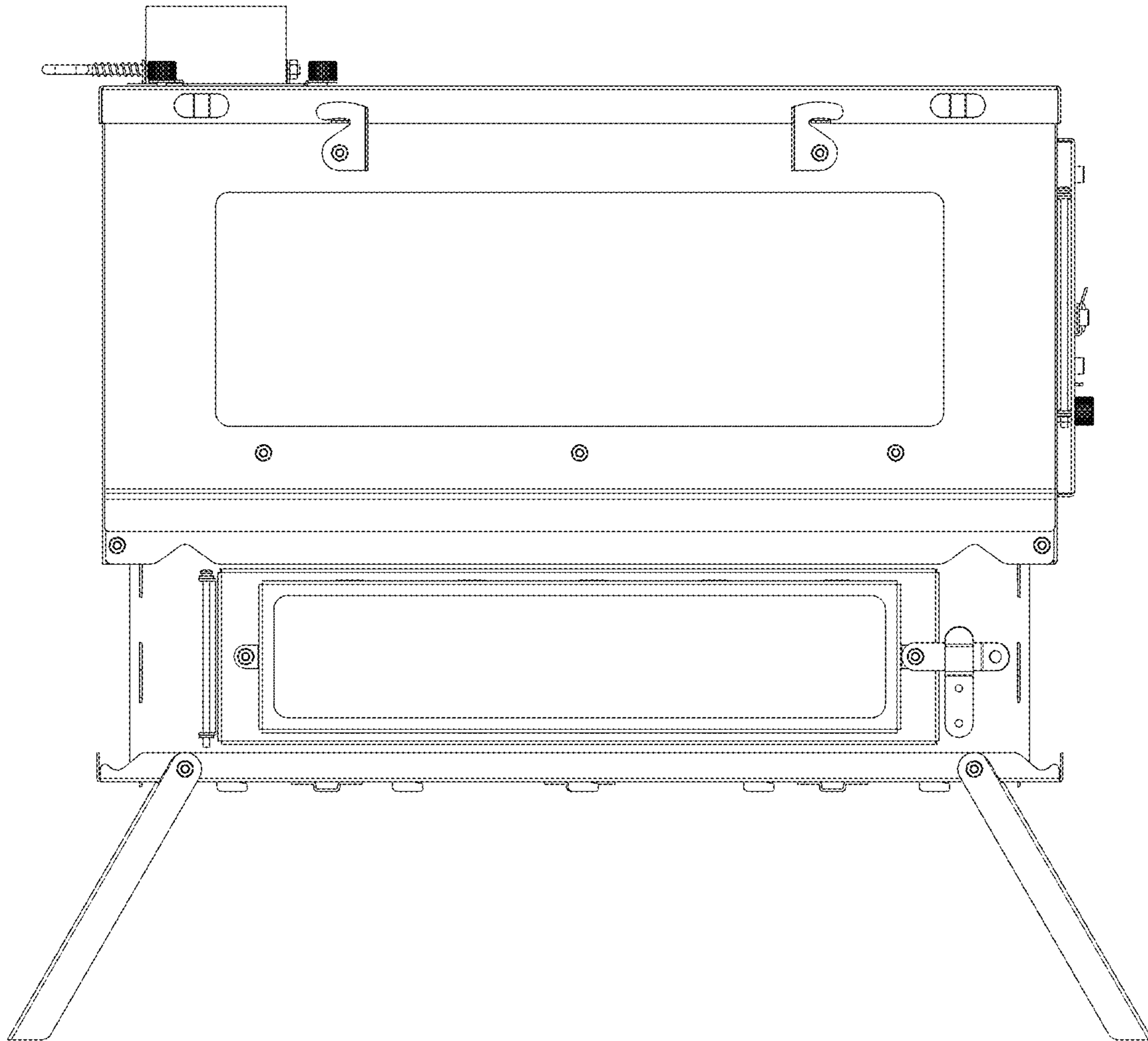


FIG. 4

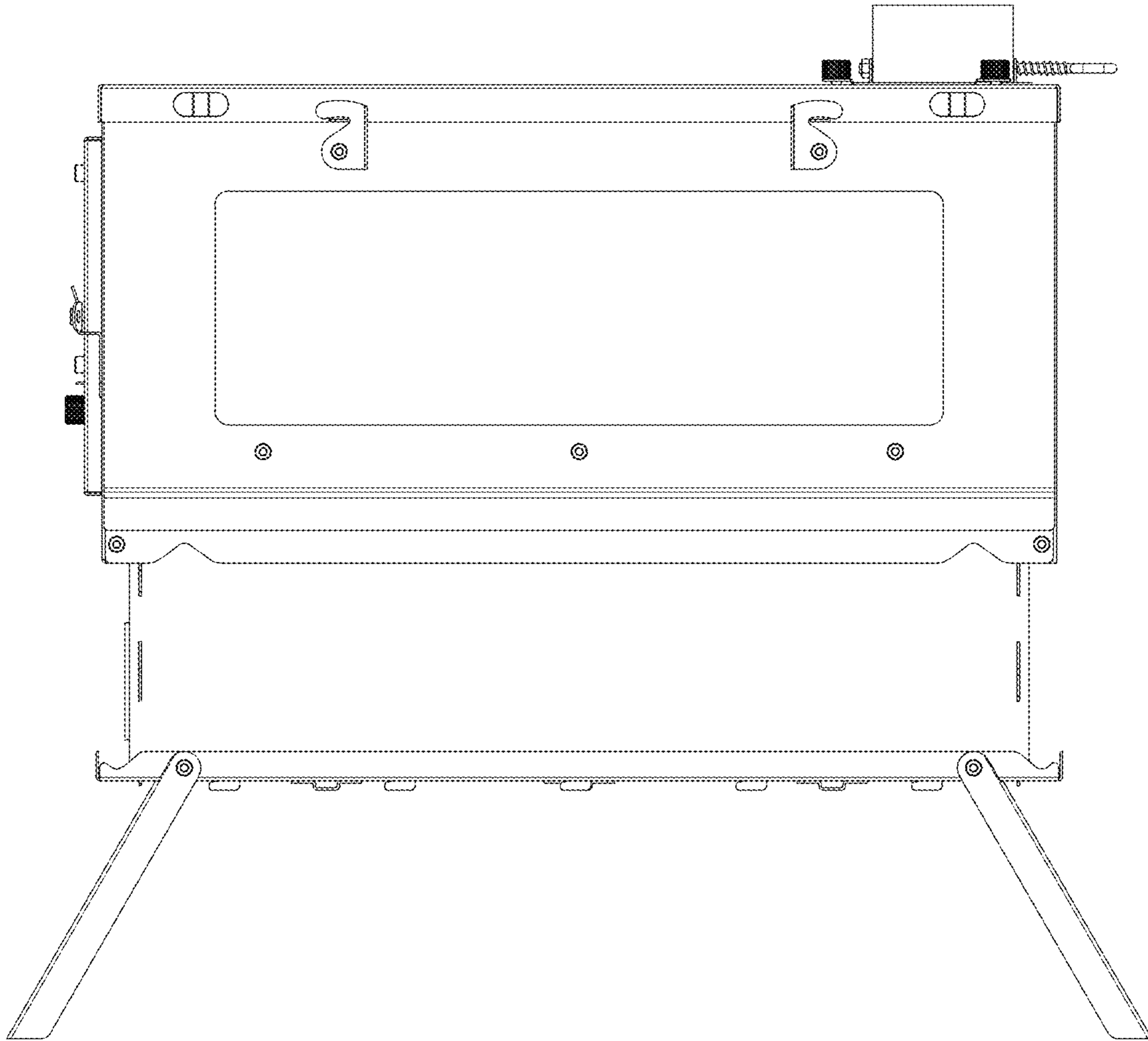


FIG. 5

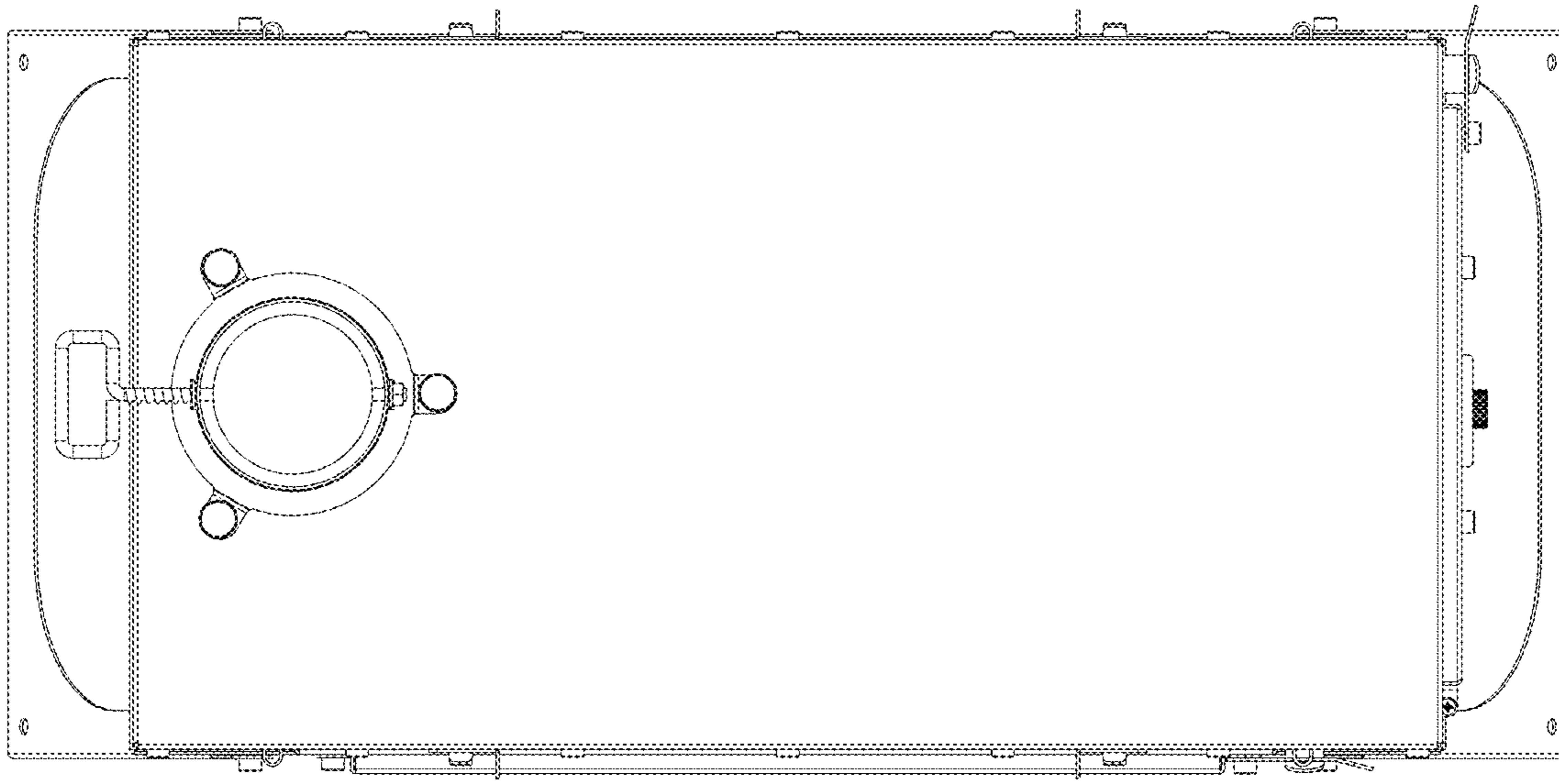


FIG. 6

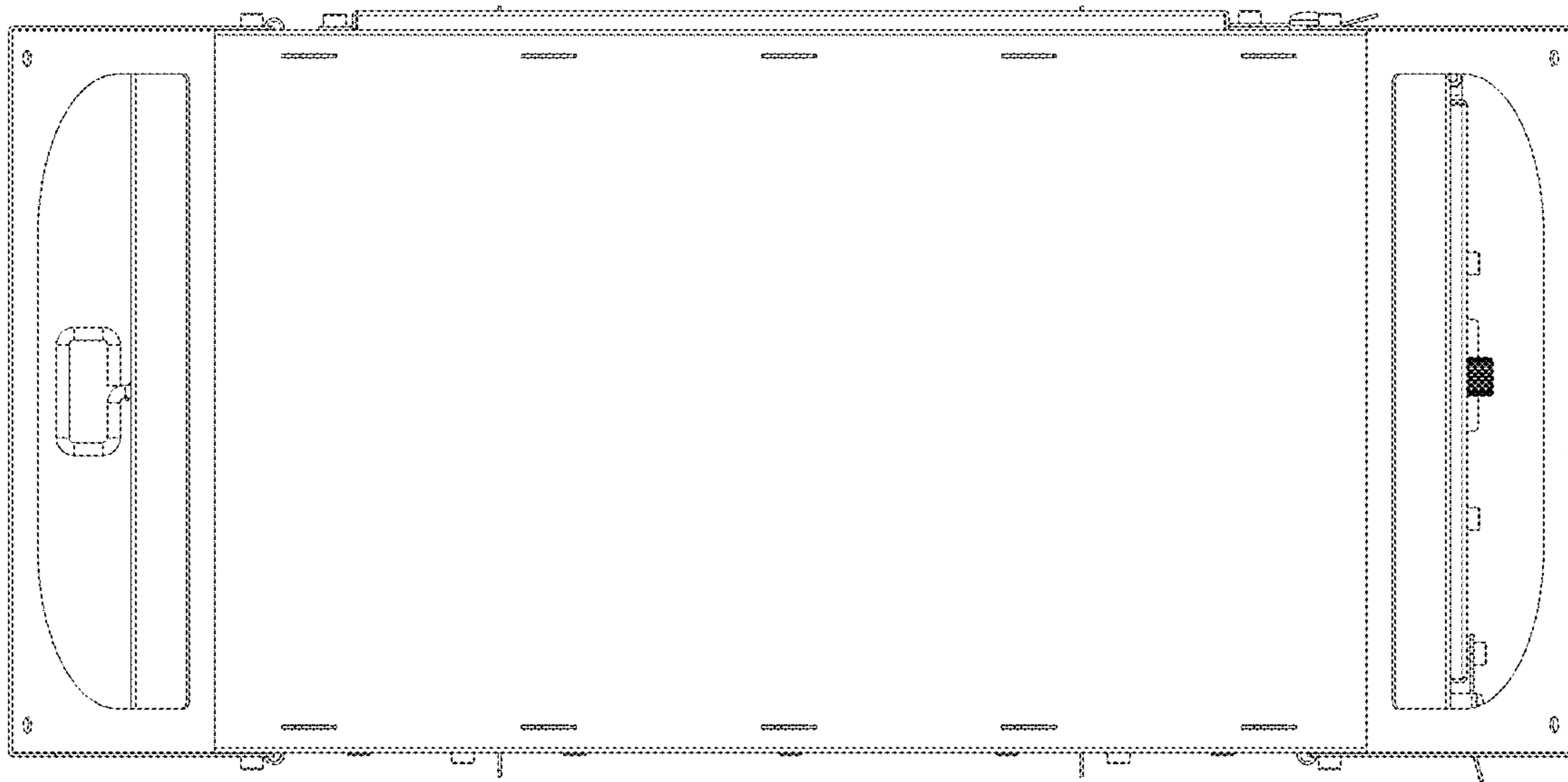


FIG. 7