



US00D942202S

(12) **United States Design Patent**  
**Kim**

(10) **Patent No.:** **US D942,202 S**

(45) **Date of Patent:** **\*\* Feb. 1, 2022**

(54) **METAL BRAZIER**

3,384,066 A \* 5/1968 Tufts ..... A47J 37/079  
126/9 R

(71) Applicant: **Tae Hwan Kim**, Wonju-si (KR)

4,211,206 A \* 7/1980 Darbo ..... A47J 37/0763  
126/25 R

(72) Inventor: **Tae Hwan Kim**, Wonju-si (KR)

4,794,906 A \* 1/1989 Longley, Jr. .... F24C 1/16  
126/38

(\*\*) Term: **15 Years**

(Continued)

(21) Appl. No.: **35/509,726**

**OTHER PUBLICATIONS**

(22) Filed: **Dec. 30, 2019**

Roman Fire Pit Brazier, date unknown, found on Sep. 24, 2021 at <https://www.museumreplicas.com/hand-forged-iron-roman-fire-pit-brazier> (Year: 2021).\*

(80) **Hague Agreement Data**

(Continued)

Int. Filing Date: **Dec. 30, 2019**

Int. Reg. No.: **DM/206209**

Int. Reg. Date: **Dec. 30, 2019**

Int. Reg. Pub. Date: **Jul. 3, 2020**

*Primary Examiner* — Karen S Acker

(30) **Foreign Application Priority Data**

(57) **CLAIM**

Oct. 29, 2019 (KR) ..... 30-2019-0051331

The ornamental design for a metal brazier, as shown and described.

(51) **LOC (13) Cl.** ..... **23-03**

**DESCRIPTION**

(52) **U.S. Cl.**

USPC ..... **D7/337**

(58) **Field of Classification Search**

USPC ..... D7/300, 301, 306, 309, 311, 312, 313,  
D7/323, 332, 337, 339, 346, 347, 348,  
D7/352, 362, 363, 365, 367, 368, 376,  
D7/377, 378, 379, 381, 383, 399, 407,  
D7/409, 510, 523, 543, 532, 538, 665;  
D23/332

CPC .. A47J 31/44; A47J 31/52; A47J 43/04; A47J  
43/044

See application file for complete search history.

1. Metal brazier

1.1 : Perspective

1.2 : Front

1.3 : Back

1.4 : Top

1.5 : Bottom

1.6 : Left

1.7 : Right

1.8 : Perspective view showing the brazier of figure 1.1 in a position of use

1.9: Enlarged view of the area circumscribed by dash-dotted broken lines in figure 1.1

The broken lines within the interior of the brazier depict portions of the brazier that form no part of the claimed design. The broken lines underneath the brazier in figure 1.8 depict environmental subject matter that forms no part of the claimed design. The dash-dotted circle in figure 1.1, which indicates the portion to be shown in figure 1.9, forms no part of the claimed design.

(56) **References Cited**

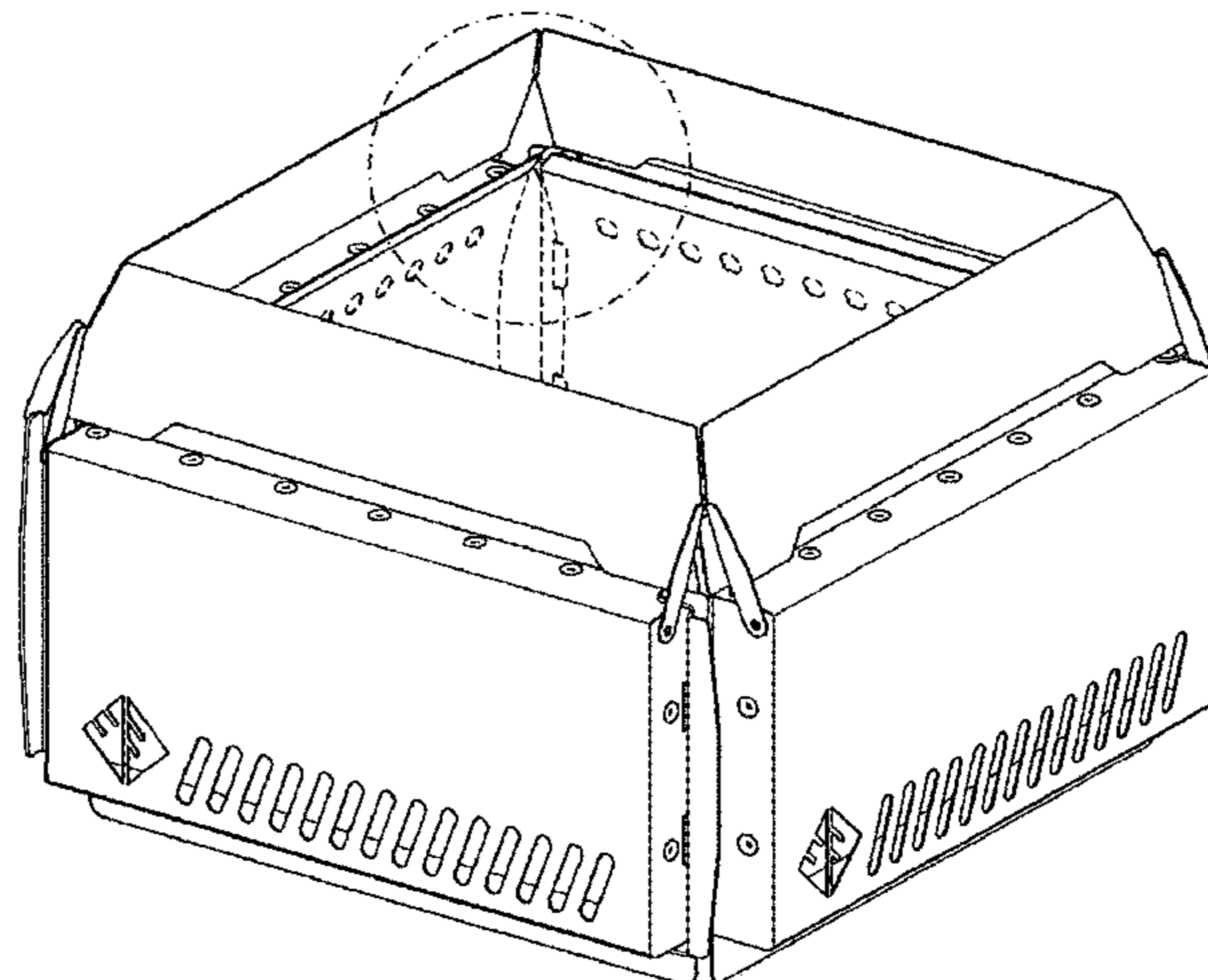
**U.S. PATENT DOCUMENTS**

1,238,142 A \* 8/1917 Hitchcock ..... F24B 1/205  
126/29

3,109,420 A \* 11/1963 Ott ..... F24C 1/16  
126/9 R

3,297,166 A \* 1/1967 Summers ..... A47J 37/0786  
211/60.1

**1 Claim, 9 Drawing Sheets**



(56)

**References Cited**

U.S. PATENT DOCUMENTS

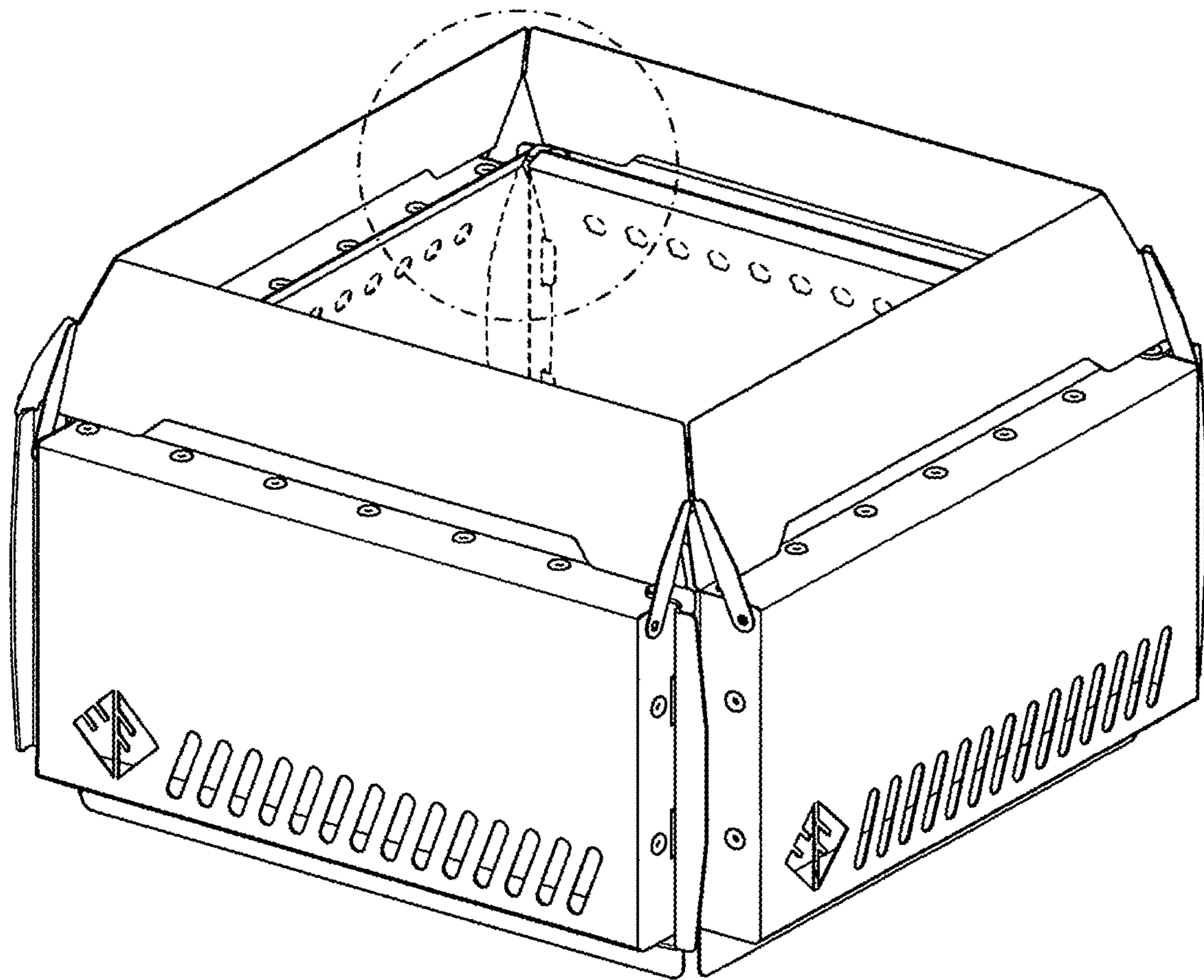
D381,552 S \* 7/1997 Pizzey ..... A47J 37/0786  
D7/332  
D410,536 S \* 6/1999 Willey ..... A47J 37/0763  
D23/332  
D470,356 S \* 2/2003 Kipps ..... A47J 37/079  
D7/332  
D546,114 S \* 7/2007 Reiner ..... F24C 1/16  
D7/332  
D636,216 S \* 4/2011 Marsh ..... D7/332  
8,028,689 B2 \* 10/2011 Bruno ..... A47J 37/079  
126/25 R  
D693,621 S \* 11/2013 Weyandt ..... A47J 33/00  
D7/332  
D734,974 S \* 7/2015 Barford ..... A47J 37/079  
D7/332  
9,657,950 B2 \* 5/2017 Boucher ..... A47J 37/0763  
D865,929 S \* 11/2019 Hughes ..... F24C 1/16  
D23/332  
D896,358 S \* 9/2020 Xu ..... A47J 37/0763  
D23/332  
2012/0204852 A1 \* 8/2012 Boucher ..... A47J 37/0763  
126/30  
2014/0069418 A1 \* 3/2014 Merkurieff ..... A47J 33/00  
126/9 R  
2016/0309662 A1 \* 10/2016 Green ..... A47J 37/0763  
2018/0333003 A1 \* 11/2018 Huang ..... A47J 37/079  
2019/0254477 A1 \* 8/2019 Skillman ..... A47J 37/0763

OTHER PUBLICATIONS

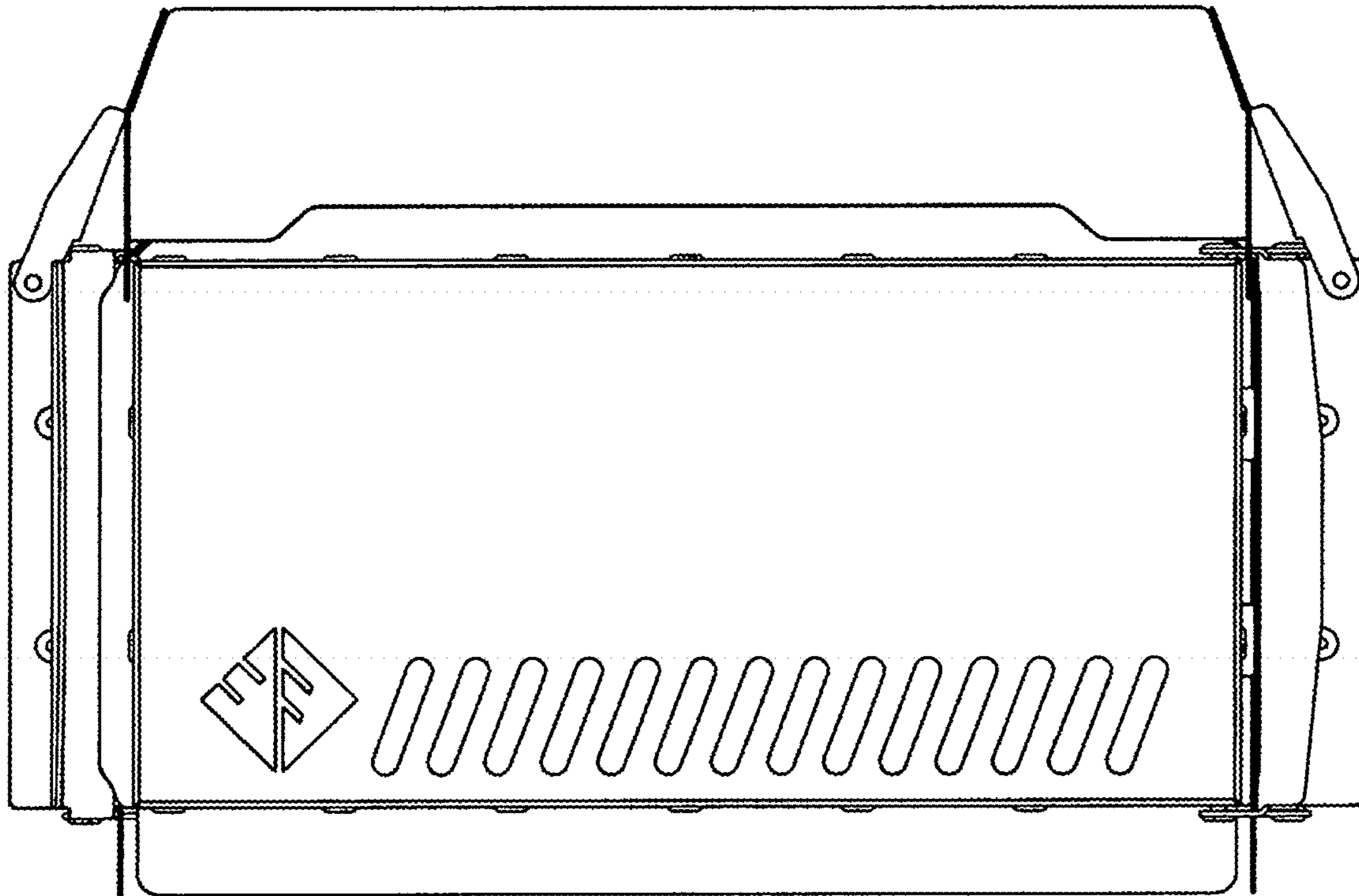
Plug fire pit, 2020, found on Sep. 24, 2021 at <https://www.amazon.com> (Year: 2020).\*

\* cited by examiner

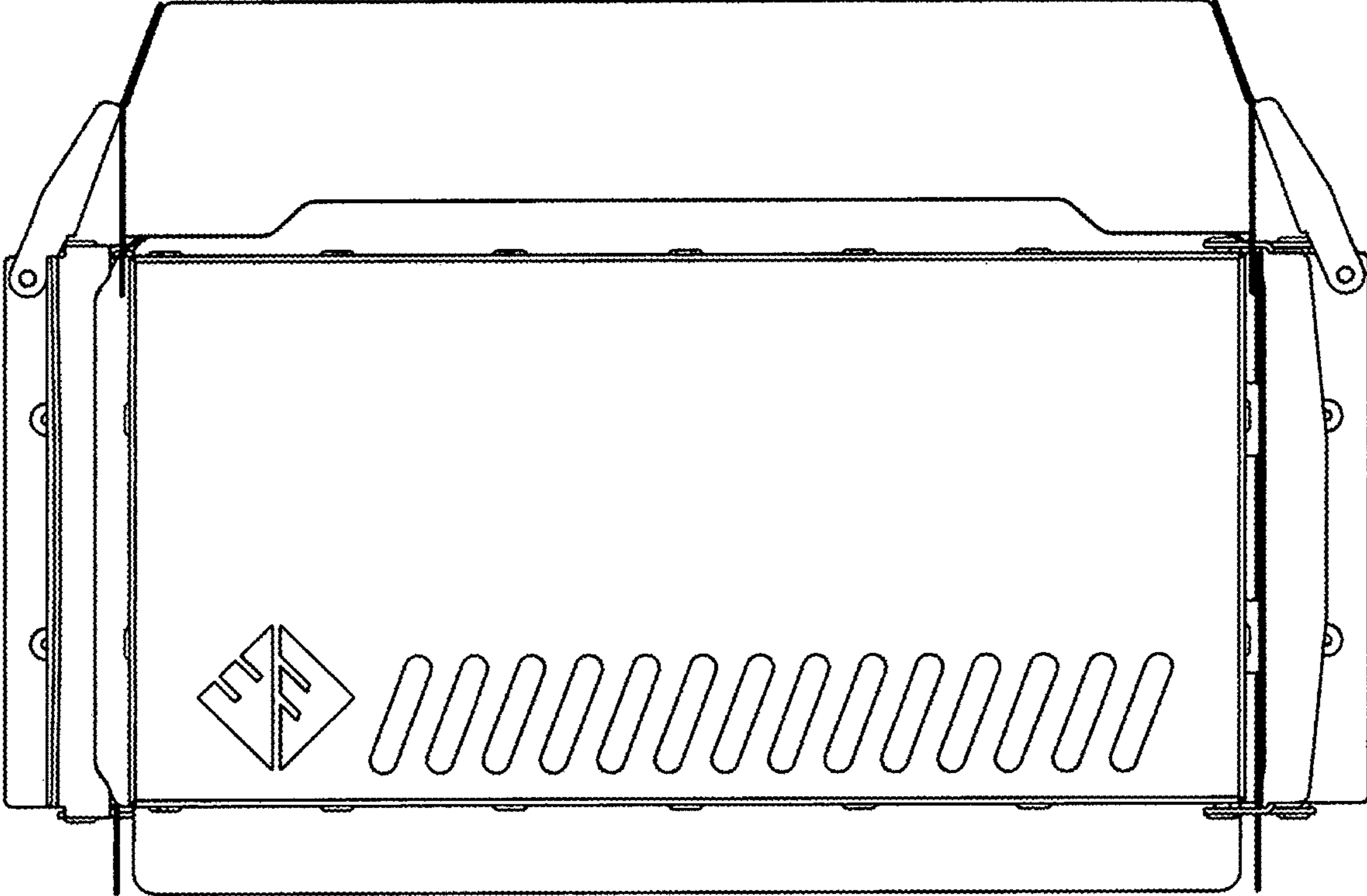
1.1



1.2

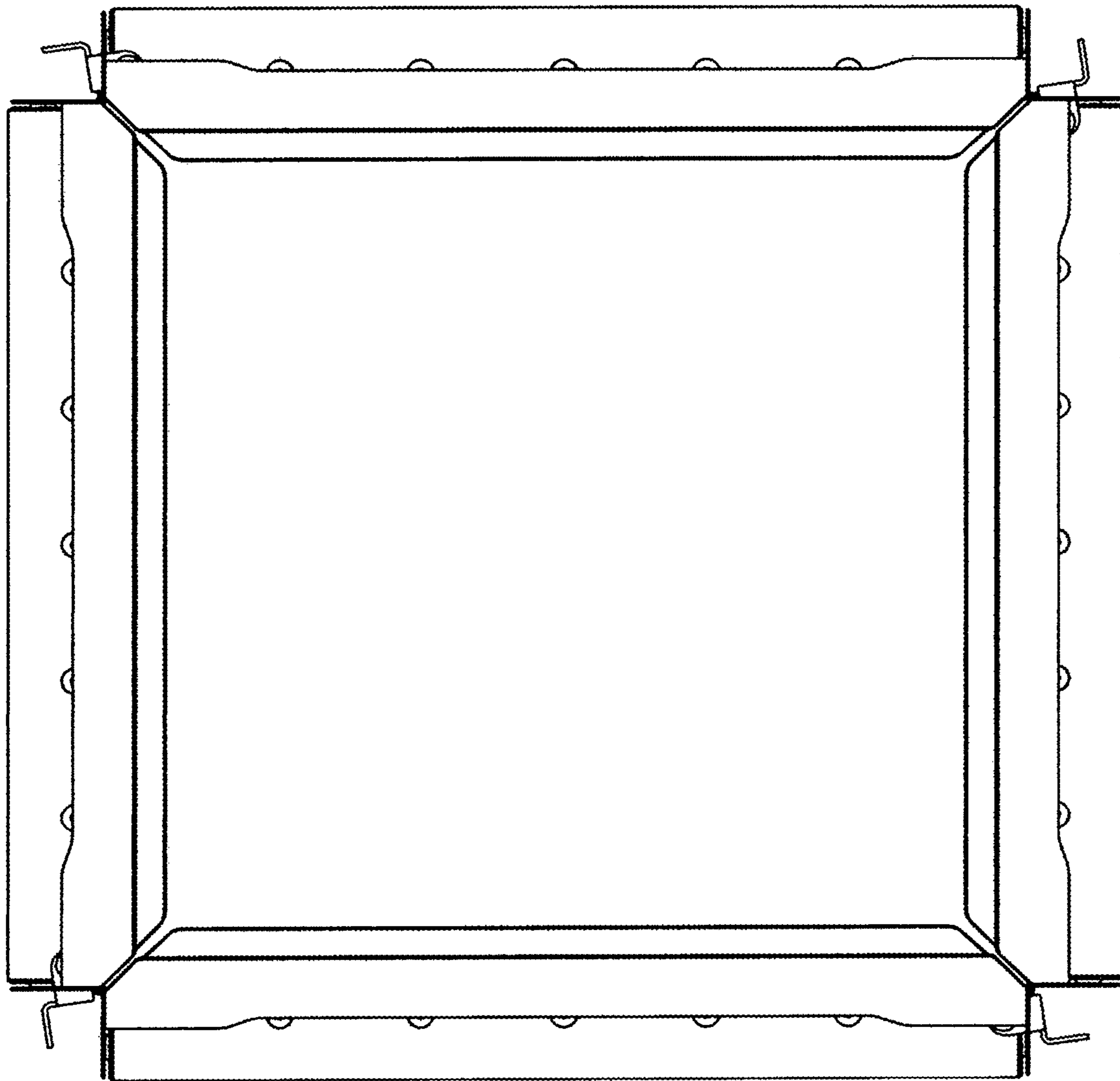


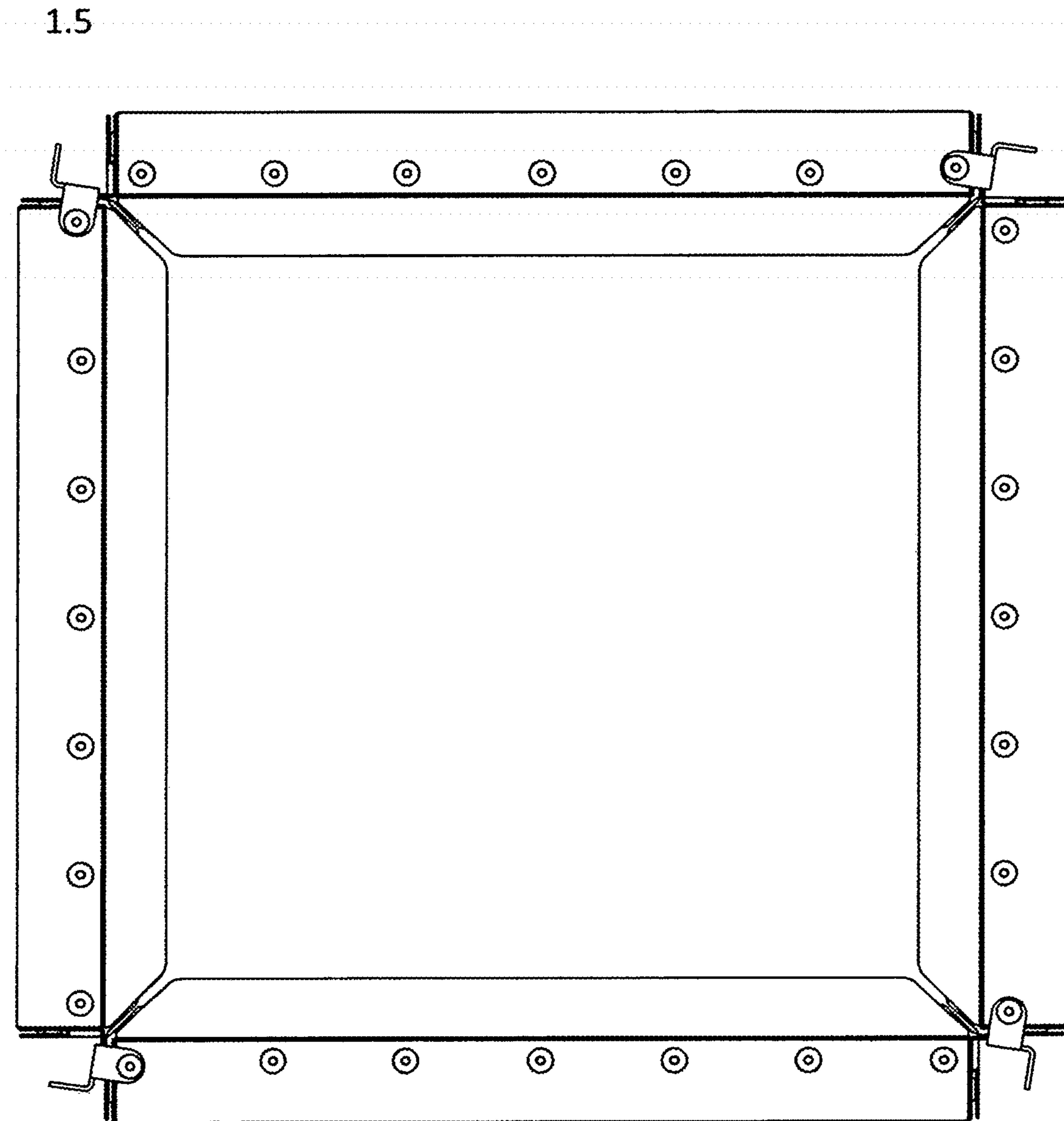
1.3



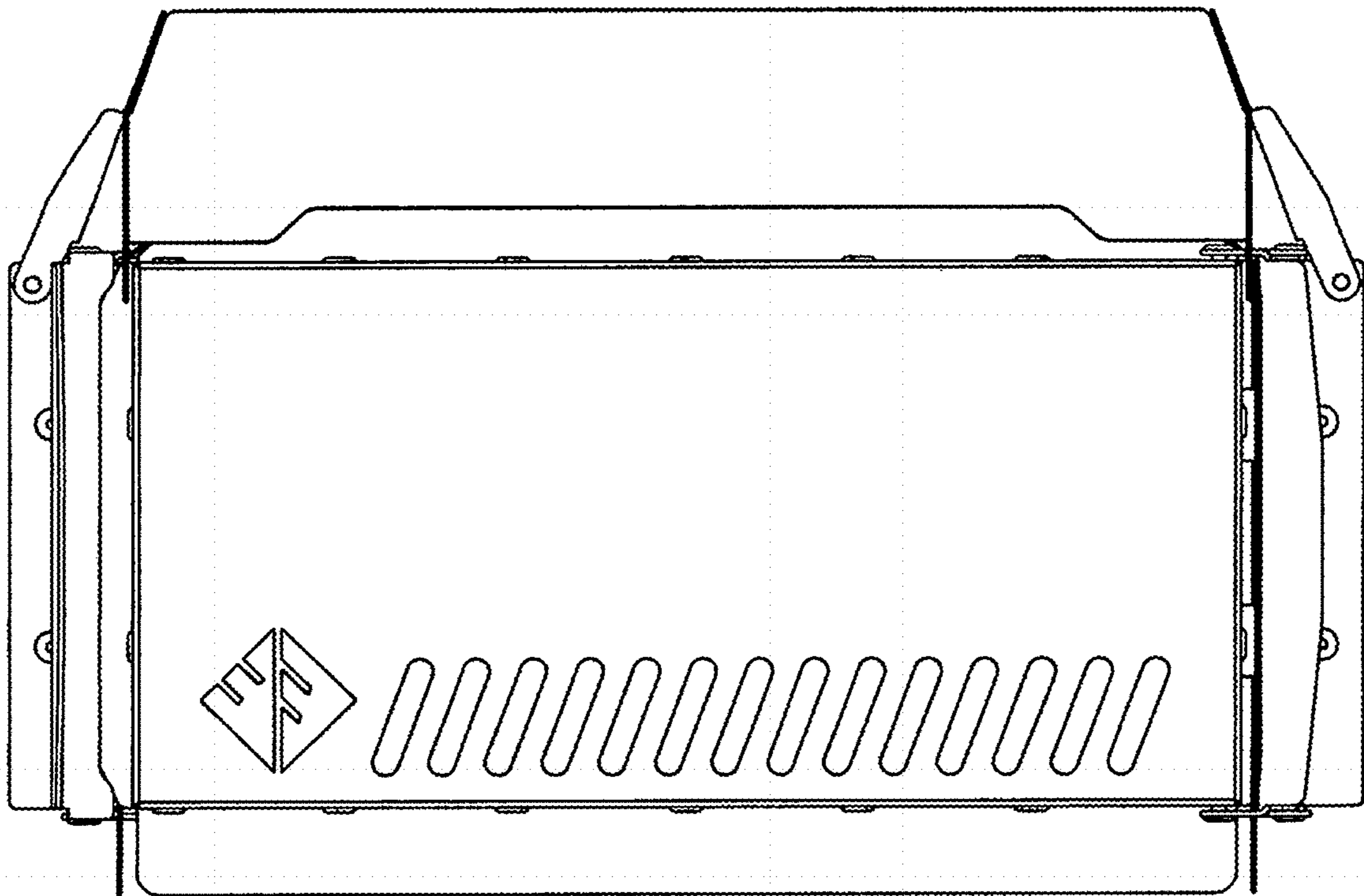


1.4



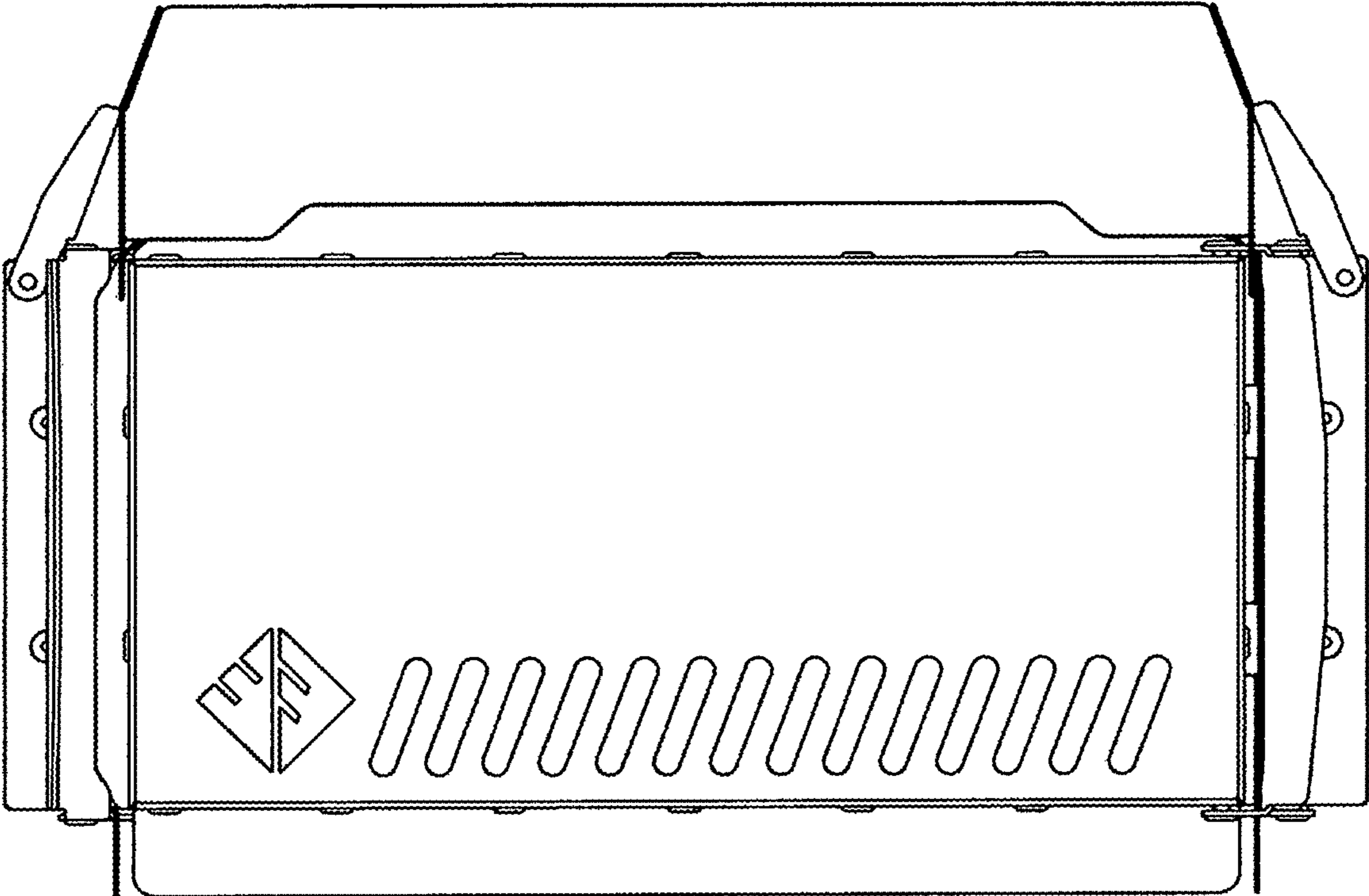


1.6

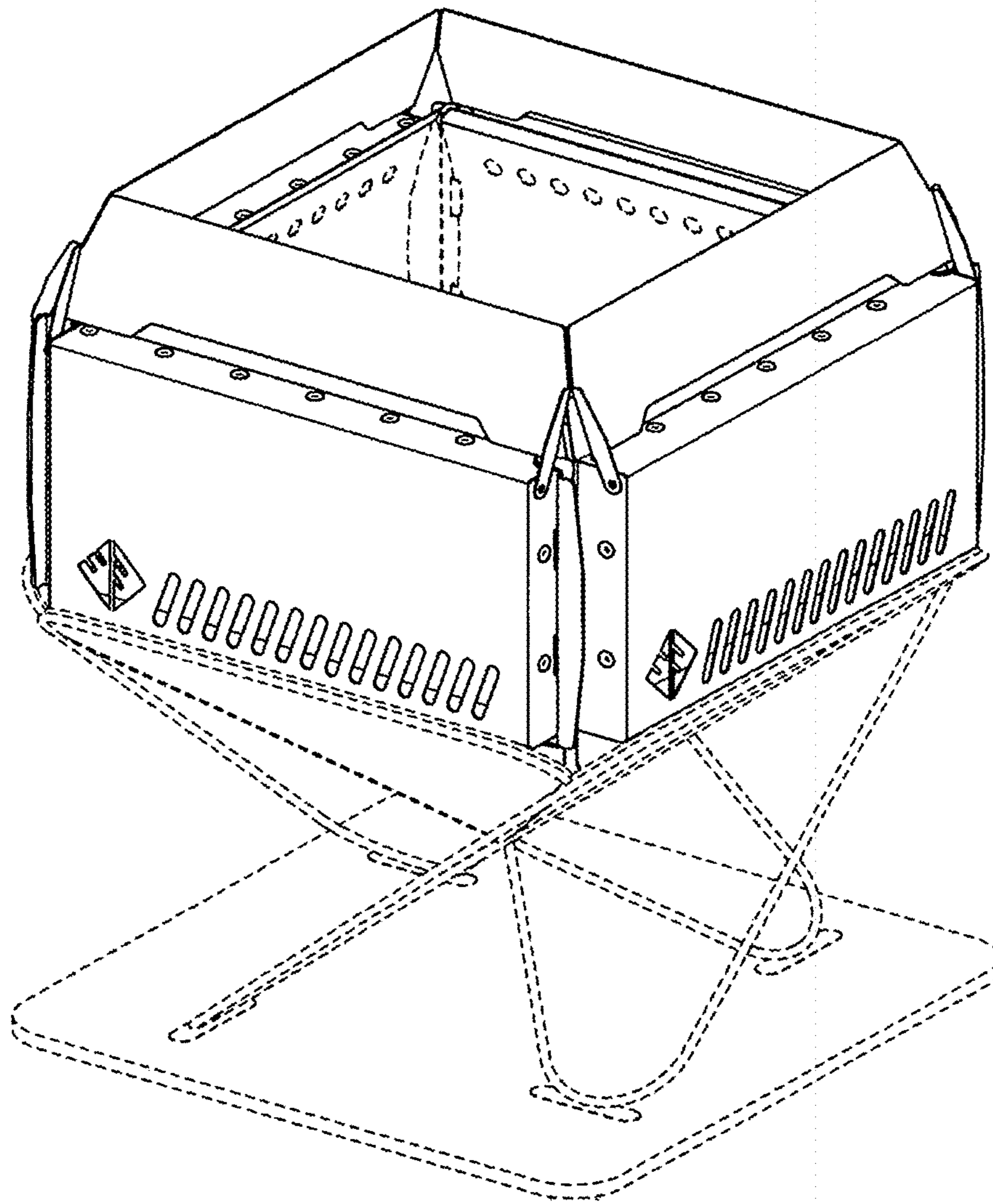




1.7



1.8



1.9

