

US00D942200S

(12) **United States Design Patent** (10) **Patent No.:** **US D942,200 S**
McConnell et al. (45) **Date of Patent:** **** Feb. 1, 2022**

(54) **COFFEE MAKER**

(71) Applicant: **WHIRLPOOL CORPORATION**,
Benton Harbor, MI (US)

(72) Inventors: **John W. McConnell**, St. Joseph, MI
(US); **Ben C. Shao**, Clarendon Hills, IL
(US); **ZhaoYi Yin**, Benton Harbor, MI
(US)

(73) Assignee: **Whirlpool Corporation**, Benton
Harbor, MI (US)

(**) Term: **15 Years**

(21) Appl. No.: **29/744,611**

(22) Filed: **Jul. 30, 2020**

Related U.S. Application Data

(60) Division of application No. 29/708,553, filed on Oct.
8, 2019, now Pat. No. Des. 894,660, which is a
division of application No. 29/687,098, filed on Apr.
10, 2019, now Pat. No. Des. 867,047, which is a
division of application No. 29/639,760, filed on Mar.

(Continued)

(51) **LOC (13) Cl.** **07-02**

(52) **U.S. Cl.**
USPC **D7/309**

(58) **Field of Classification Search**

USPC D7/300–322, 378, 397–400, 602, 603,
D7/700; D9/417, 447, 524–526, 530,
D9/572, 575, 633; D15/81, 82; D20/1;
D23/201, 205, 209; D24/216, 220, 224;
D30/121, 132; D34/39; 99/275, 276
CPC A23G 9/0452; A47J 31/00; A47J 31/007;
A47J 31/057; A47J 31/10; A47J 31/3676;
A47J 31/40; A47J 31/402; A47J 31/404;
A47J 31/41; A47J 31/4482; A47J
31/4489; A47J 43/042; A47J 43/27; A47J
2043/04454; B67D 1/00; B67D 1/0004;
B67D 1/0021; B67D 1/0078; B67D
1/0462; B67D 1/0801; B67D 1/0872;

B67D 1/1252; B67D 2001/0087; B67D
2001/0098; B67D 2001/0822; B67D
3/0032; B67D 3/0035; B67D 7/82; B67D
(Continued)

(56) **References Cited**

U.S. PATENT DOCUMENTS

D300,596 S 4/1989 Eugster
5,251,541 A 10/1993 Anson et al.
(Continued)

OTHER PUBLICATIONS

Zojirushi EC-DAC50 Zutto 5-Cup Drip Coffeemaker, first available
Jan. 15, 2008, [online], [site visited Sep. 15, 2021], Available from
internet URL: <https://www.amazon.com/Zojirushi-EC-DAC50-Zutto-5-Cup-Coffeemaker/dp/B000EPLK6O> (Year: 2008).*

(Continued)

Primary Examiner — Mary Ann Calabrese

Assistant Examiner — Natalya M Rapundalo

(74) *Attorney, Agent, or Firm* — Price Heneveld LLP

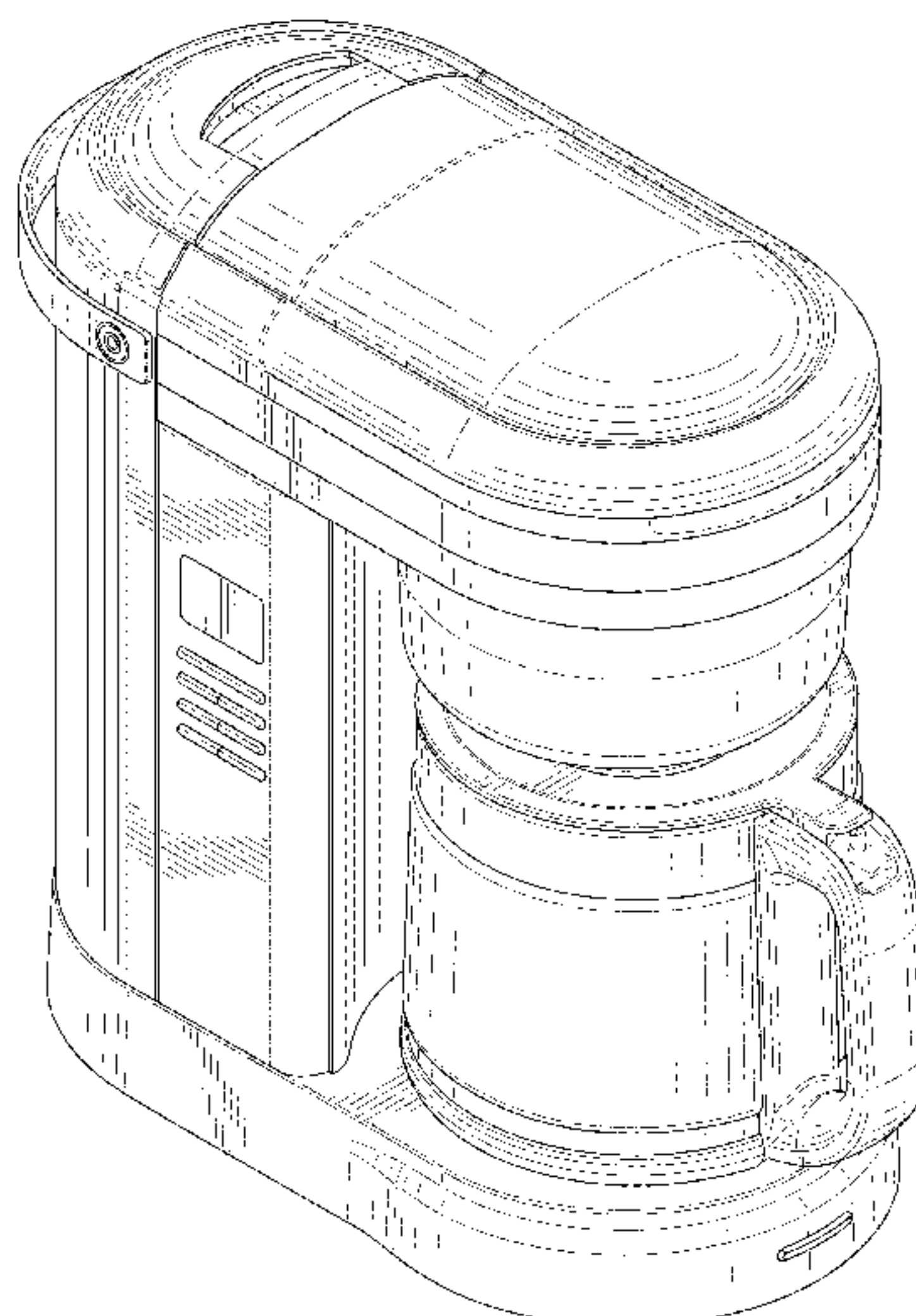
(57) **CLAIM**

The ornamental design for a coffee maker, as shown and
described.

DESCRIPTION

FIG. 1 is a perspective view of a coffee maker according to
the claimed design;
FIG. 2 is a front elevation view thereof;
FIG. 3 is a back elevation view thereof;
FIG. 4 is a right side elevation view thereof;
FIG. 5 is a left side elevation view thereof;
FIG. 6 is a top plan view thereof; and,
FIG. 7 is a bottom plan view thereof.
The portions of the article shown in broken line form no part
of the claimed design.

1 Claim, 7 Drawing Sheets



Related U.S. Application Data

8, 2018, now Pat. No. Des. 849,464, which is a continuation-in-part of application No. 29/618,139, filed on Sep. 19, 2017, now abandoned.

(58) **Field of Classification Search**

CPC 7/84; C02F 1/002; C02F 1/003; C12C 11/00; C12C 11/006; C12C 13/10

See application file for complete search history.

(56) **References Cited**

U.S. PATENT DOCUMENTS

D350,871 S 9/1994 Littmann
 6,586,710 B2 7/2003 Williamson
 D495,916 S * 9/2004 Zhu A47J 31/4435
 D7/309
 D496,213 S 9/2004 Midden et al.
 D502,841 S 3/2005 Santer
 D511,066 S 11/2005 Garner
 D550,499 S 9/2007 Argabrite et al.
 D587,510 S * 3/2009 Lam D7/305
 D590,652 S 4/2009 Cesaroni et al.
 D644,058 S 8/2011 Cahen
 D649,392 S 11/2011 Cahen
 D677,510 S 3/2013 Tetreault
 D721,531 S 1/2015 Krasne
 D730,674 S 6/2015 De'Longhi et al.
 D742,680 S 11/2015 Burrows
 D744,275 S * 12/2015 Lownds D7/378
 D760,009 S 6/2016 Moammer et al.
 D766,653 S 9/2016 Rosati et al.
 D812,952 S 3/2018 Fedorak et al.
 D823,041 S 7/2018 Bazzicalupo et al.

D838,531 S 1/2019 Bodum
 D845,053 S 4/2019 Barquin et al.
 D849,464 S 5/2019 McConnell et al.
 D861,407 S * 10/2019 Vu B01F 3/04808
 D7/310
 D867,047 S 11/2019 McConnell et al.
 D879,530 S * 3/2020 Cauwood D7/306
 D882,321 S * 4/2020 Fisher Wong D7/309
 D888,488 S * 6/2020 McColl D7/309
 D889,906 S * 7/2020 Yin D7/397
 D899,840 S * 10/2020 Hellweg D7/306
 2013/0164422 A1 * 6/2013 McCormick A47J 31/4435
 426/433
 2014/0013958 A1 1/2014 Krasne et al.
 2015/0259218 A1 * 9/2015 Ergican B01F 3/04808
 426/67

OTHER PUBLICATIONS

Design No. 304685723, Jun. 15, 2018—China National Intellectual Property Administration (CNIPA) Publication Date—Jun. 15, 2018 Owner—Delongbolang Appliances Ltd, Designer—Fu Xunfeng WIPO, available at <https://www3.wipo.int/designdb/en/index.jsp> (Year: 2018).*
 KitchenAid KCM1208DG, first available May 13, 2019, [online], [site visited Sep. 10, 2021], Available from internet URL: <https://www.amazon.com/KitchenAid-KCM1208DG-Spiral-Showerhead-Charcoal/dp/B07RQN3VVL> (Year: 2019).*
 Design No. 004747871-0002, Mar. 9, 2018—European Union Intellectual Property Office (EUIPO) Publication Date—Mar. 20, 2020 Owner—Whirlpool Corporation DesignView, available at www.tmdn.org/tmdsview-web/welcome (Year: 2020).*

* cited by examiner

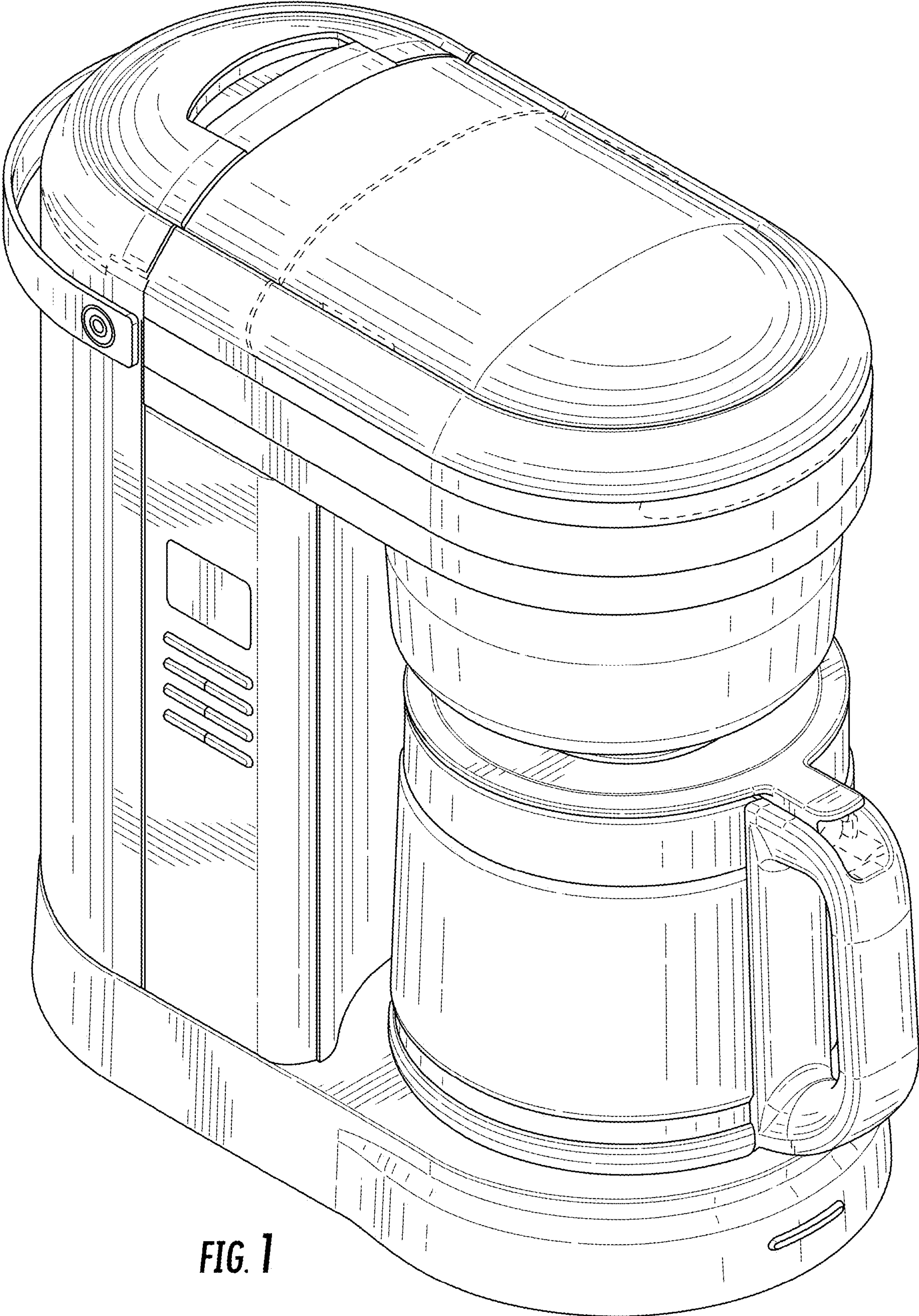


FIG. 1

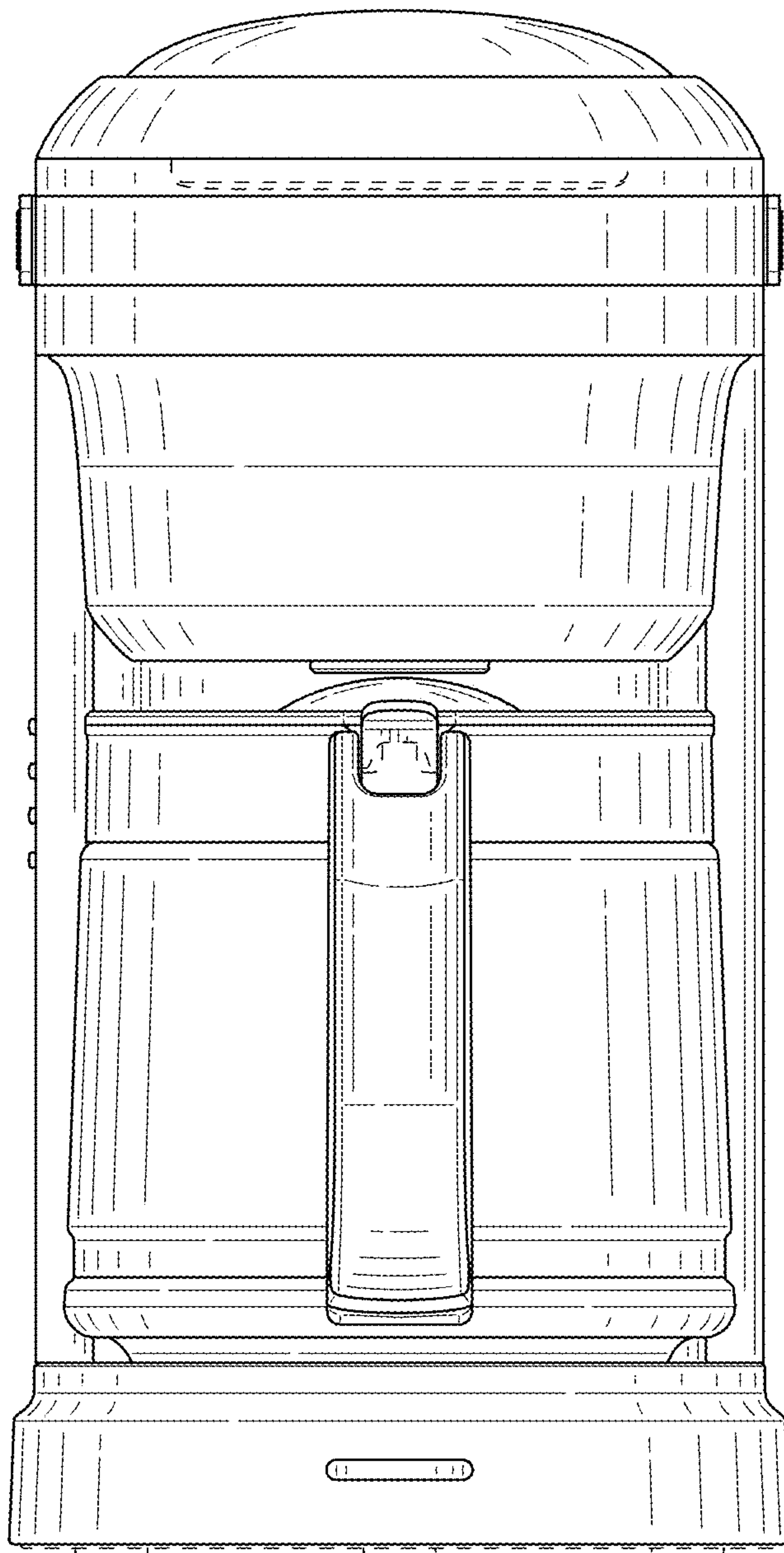


FIG. 2

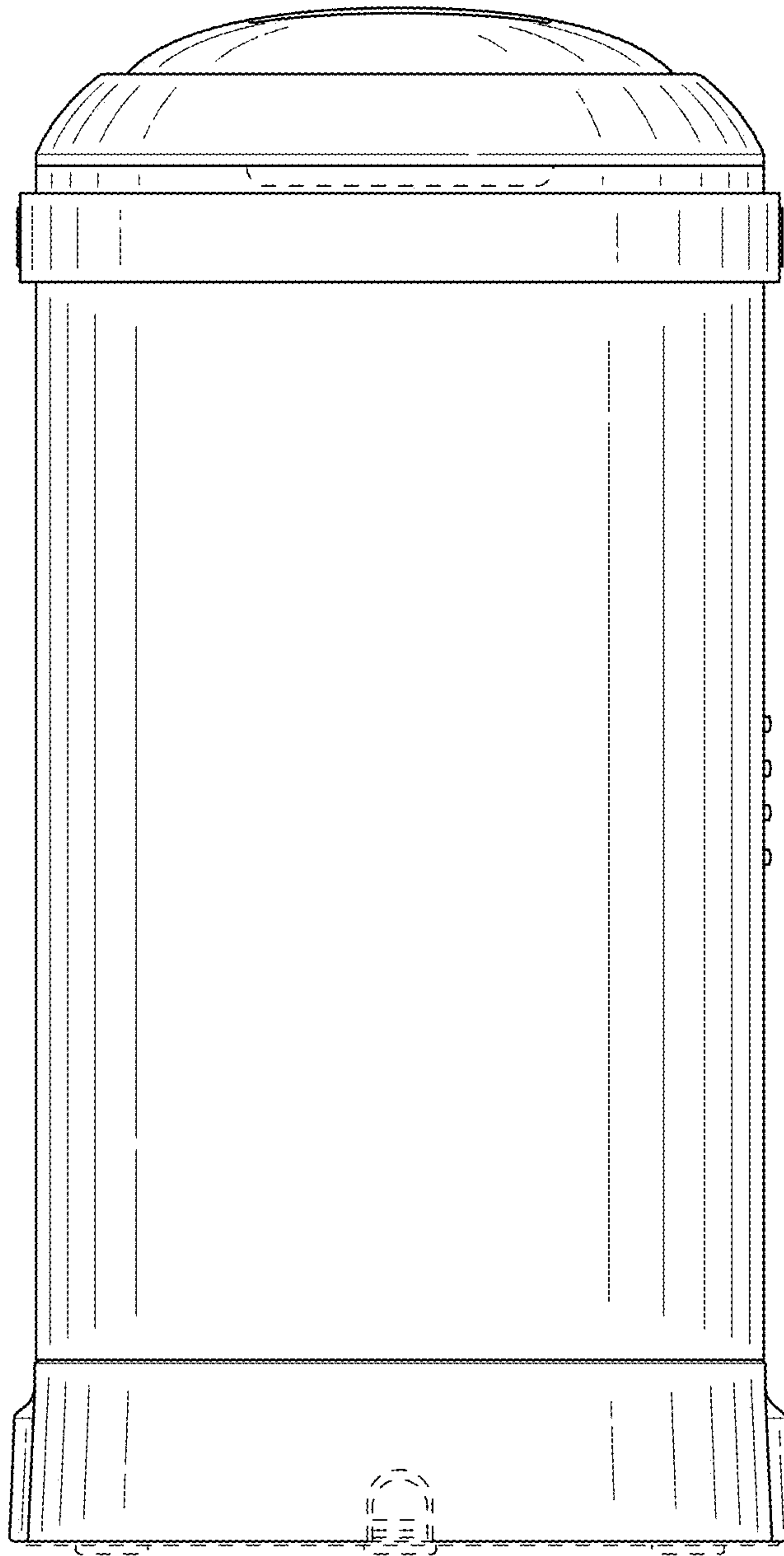


FIG. 3

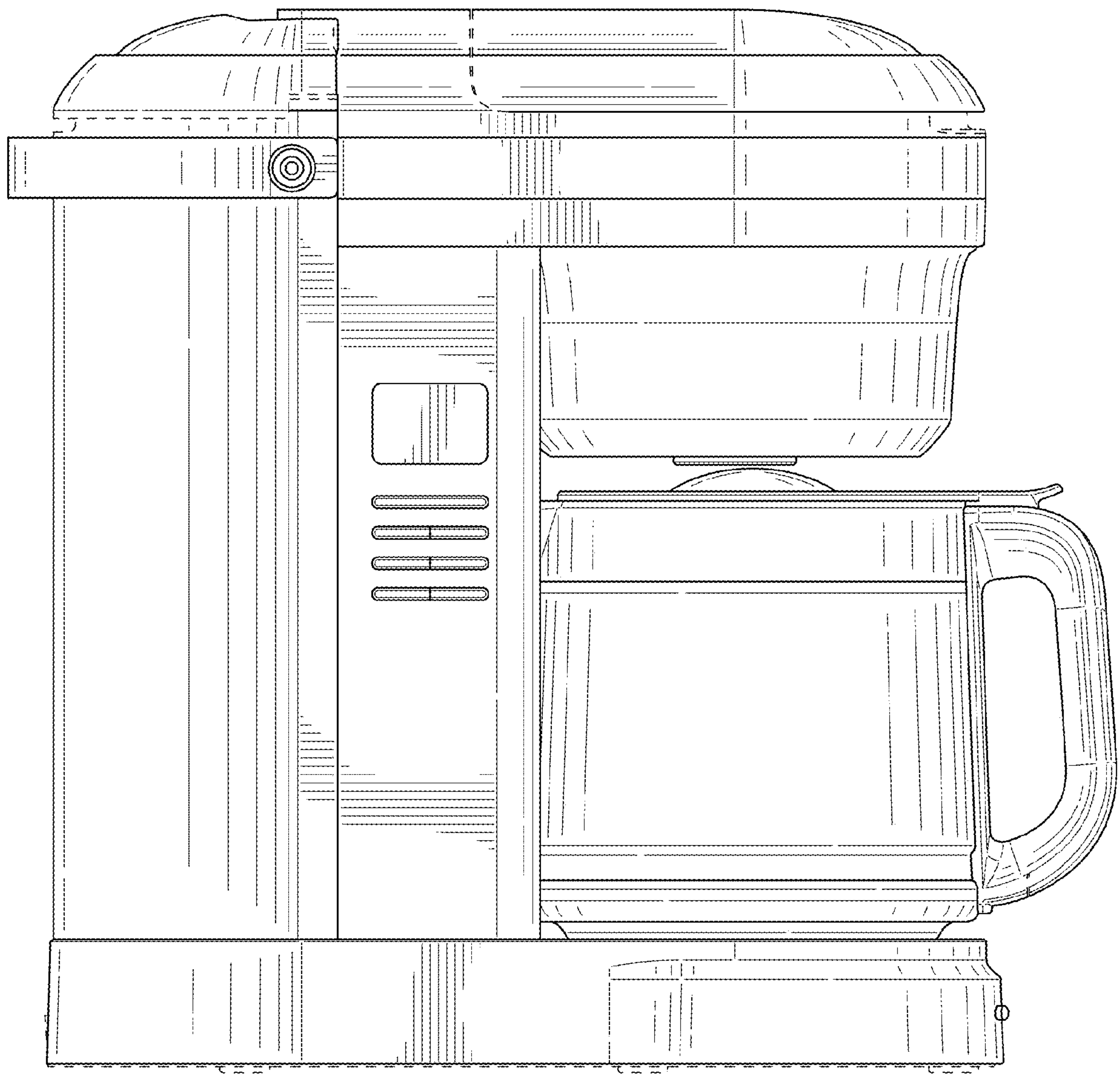


FIG. 4

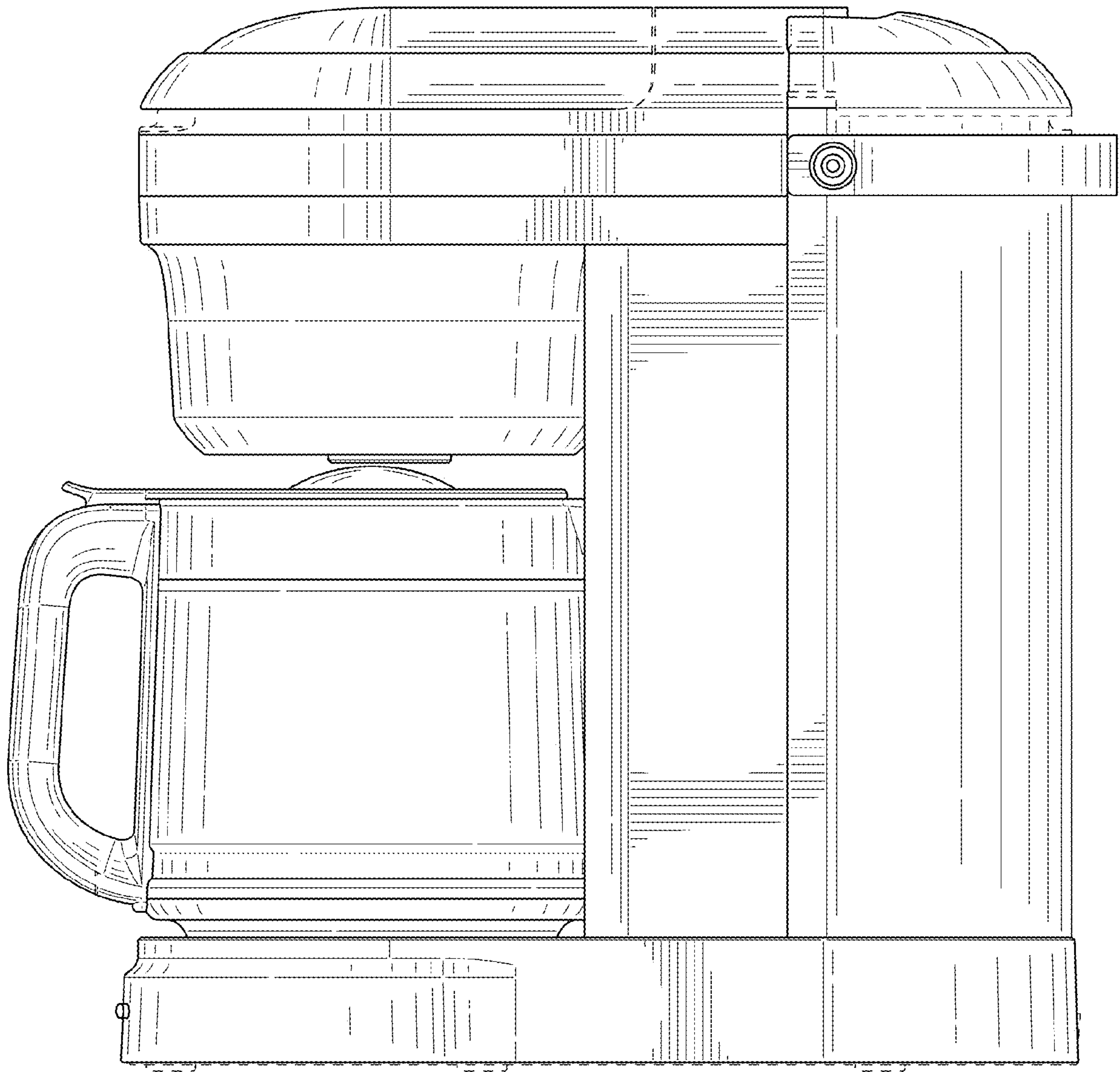


FIG. 5

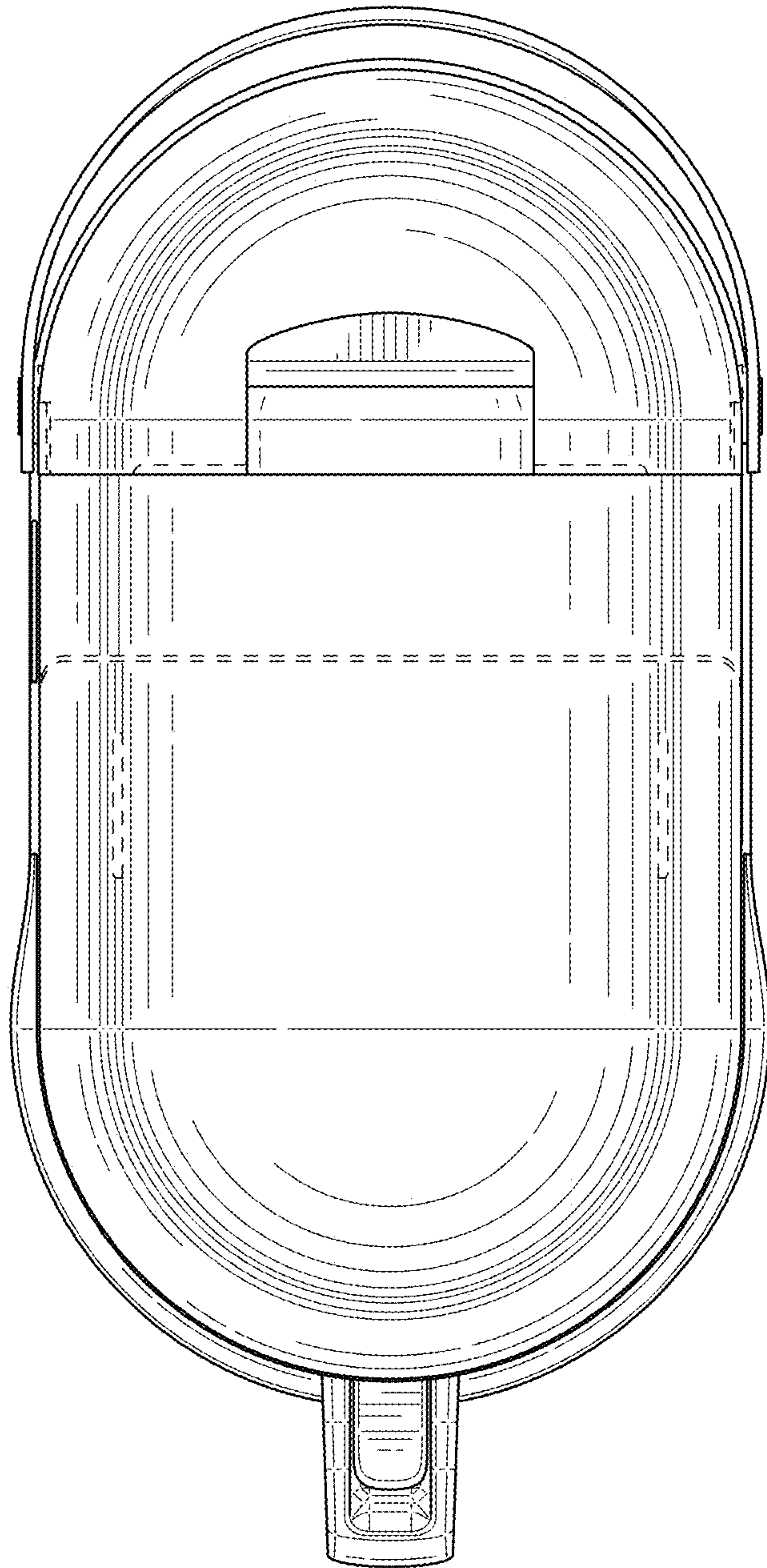


FIG. 6

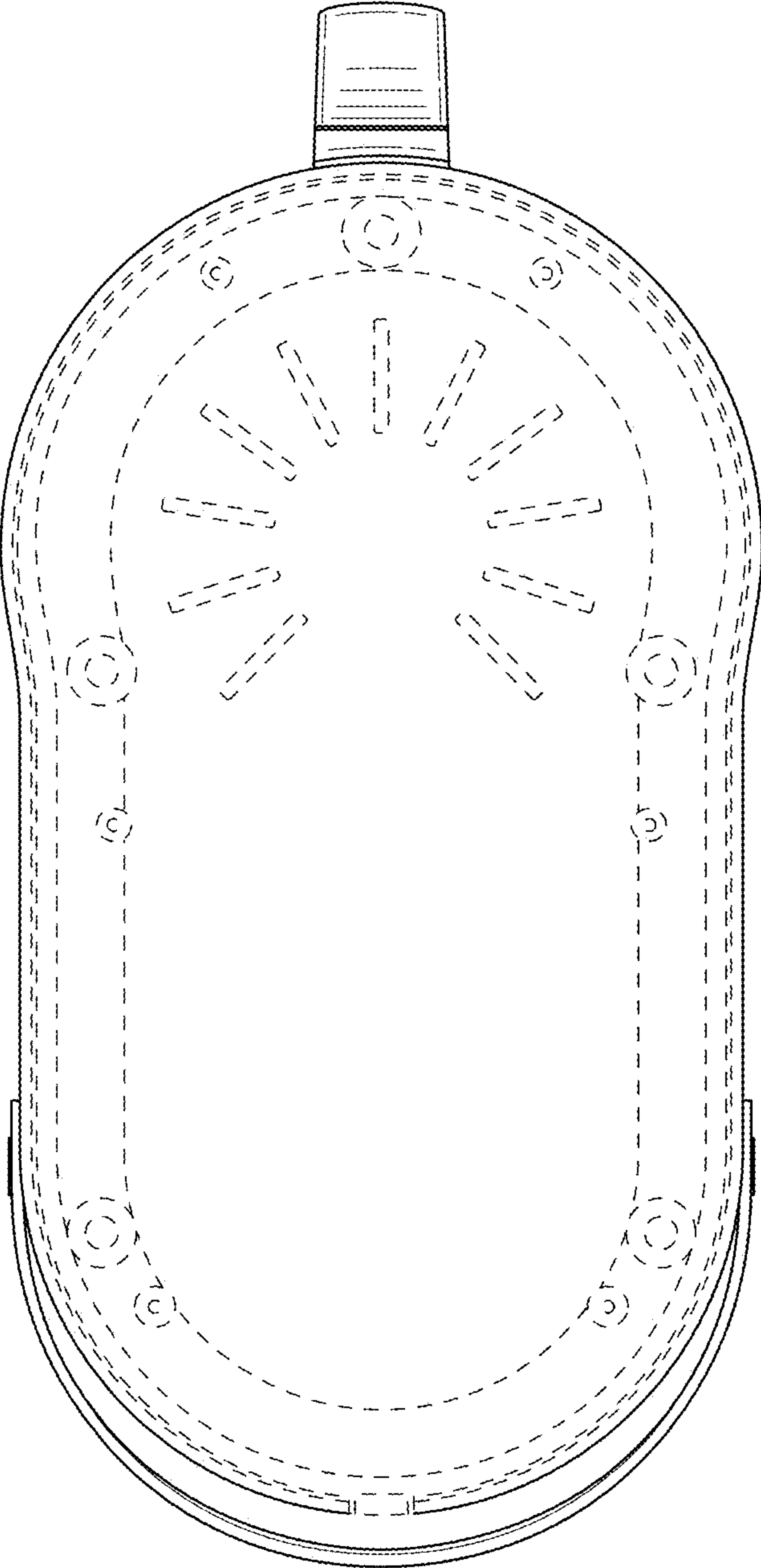


FIG. 7