

US00D942198S

(12) **United States Design Patent** (10) **Patent No.:** **US D942,198 S**
Pugh et al. (45) **Date of Patent:** **** Feb. 1, 2022**

(54) **BEVERAGE BREWER**
(71) Applicant: **DivergentIP, LLC**, Beverly Hills, CA (US)

D872,513 S * 1/2020 Kaplan D7/306
D879,532 S * 3/2020 Kaplan D7/306
D894,660 S * 9/2020 McConnell D7/310
D894,661 S * 9/2020 Yin D7/310

(72) Inventors: **Paul Pugh**, Houston, TX (US); **Berie Suquet**, Tokyo (JP); **Sung Oh**, West Covina, CA (US); **Koyu Kobayashi**, Tokyo (JP); **Yuri Kubota**, Tokyo (JP)

OTHER PUBLICATIONS

Design No. 00116099, Aug. 19, 2019—Rospatent Federal Service for Intellectual Property Publication Date—Aug. 19, 2019 Owner—Group SEB Mulineks, Designer—Duratrule Ioren WIPO, available at <https://www3.wipo.int/designdb/en/index.jsp> (Year: 2019).*
Bruvi, Bruvi, [online], [site visited Jul. 6, 2021], Available from internet URL: <https://bruvi.com> (Year: 2021).*
Meet Bruvi, first available Jan. 27, 2021, YouTube, [online], [site visited Jul. 9, 2021], Available from internet URL: <https://www.youtube.com/watch?v=kOxA88mytOg> (Year: 2021).*

(73) Assignee: **DivergentIP, LLC**, Beverly Hills, CA (US)

(**) Term: **15 Years**

* cited by examiner

(21) Appl. No.: **29/719,933**

(22) Filed: **Jan. 8, 2020**

Primary Examiner — Mary Ann Calabrese
Assistant Examiner — Natalya M Rapundalo
(74) *Attorney, Agent, or Firm* — Blue Capital Law Firm, P.C.

(51) **LOC (13) Cl.** **07-02**

(52) **U.S. Cl.**
USPC **D7/309**

(58) **Field of Classification Search**
USPC D7/300, 300.1, 301, 304–322, 372–373, D7/386, 387, 397–401, 412, 414, D7/509–511, 538, 589–590, 598, D7/601–602, 605, 608, 629; D3/202; D20/4–5; D23/201; D24/197, 216, D24/219–220, 224; 99/275; 222/129.1
CPC A47J 31/00–605; A47J 42/00; A47J 42/02; A47J 42/04; A47J 42/06; A47J 42/08; A47J 42/10; A47J 42/12; A47J 42/14; A47J 42/16; A47J 42/18; A47J 42/20
See application file for complete search history.

(57) **CLAIM**

The ornamental design for a beverage brewer, as shown and described.

DESCRIPTION

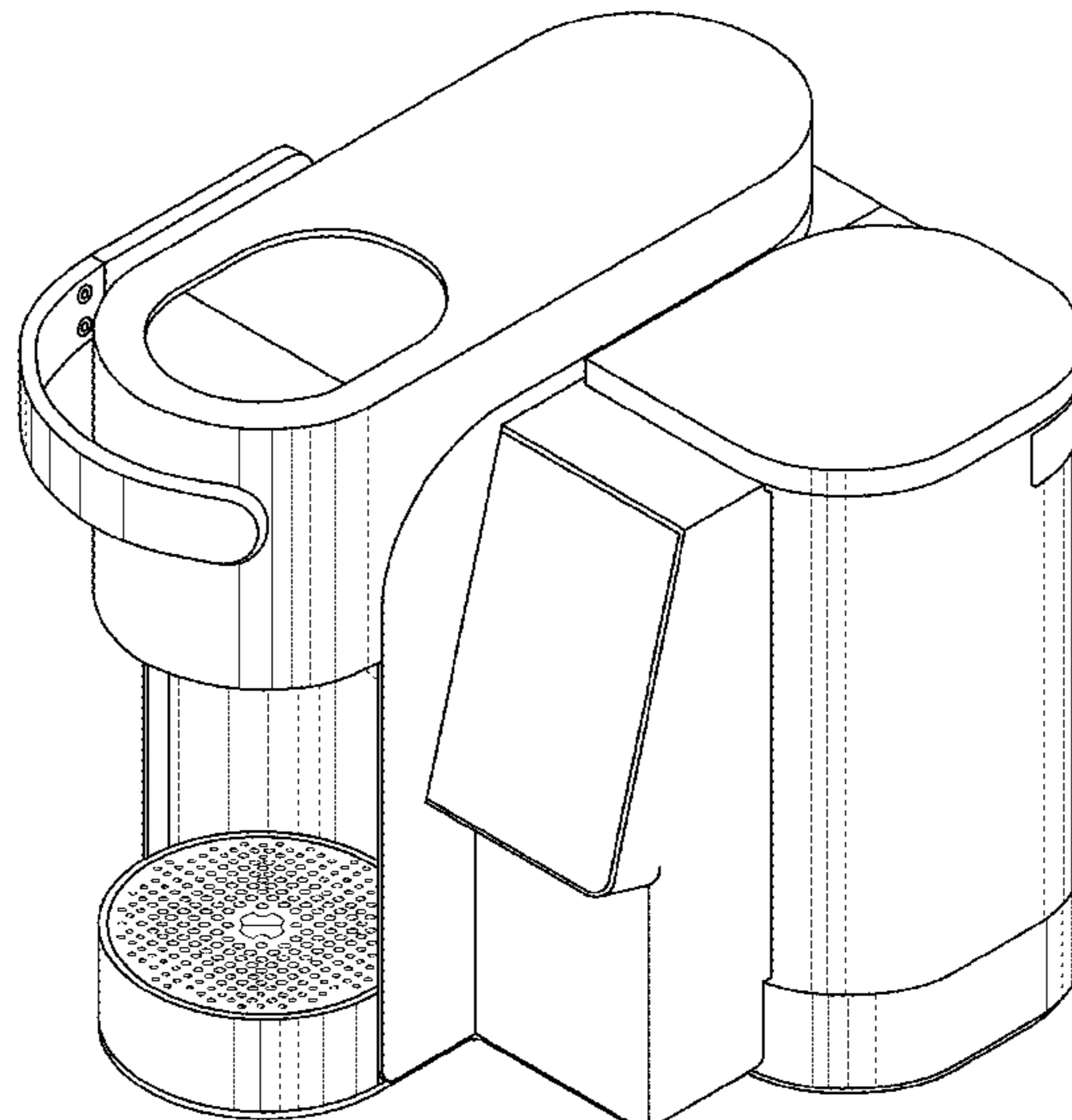
FIG. 1 is a front right perspective view of a beverage brewer; FIG. 2 is a front left perspective view thereof; FIG. 3 is a rear left perspective view thereof; FIG. 4 is a front view thereof; FIG. 5 is a left side view thereof; FIG. 6 is a right side view thereof; FIG. 7 is a rear view thereof; and, FIG. 8 is a top view thereof.
The broken lines show portions of the beverage brewer and form no part of the claimed design.

(56) **References Cited**

U.S. PATENT DOCUMENTS

D502,841 S * 3/2005 Santer D7/309
D836,371 S * 12/2018 Cahen D7/306
D841,383 S * 2/2019 Warburton D7/306
D843,765 S * 3/2019 Fedorak D7/306
D869,900 S * 12/2019 Koury D7/397

1 Claim, 8 Drawing Sheets



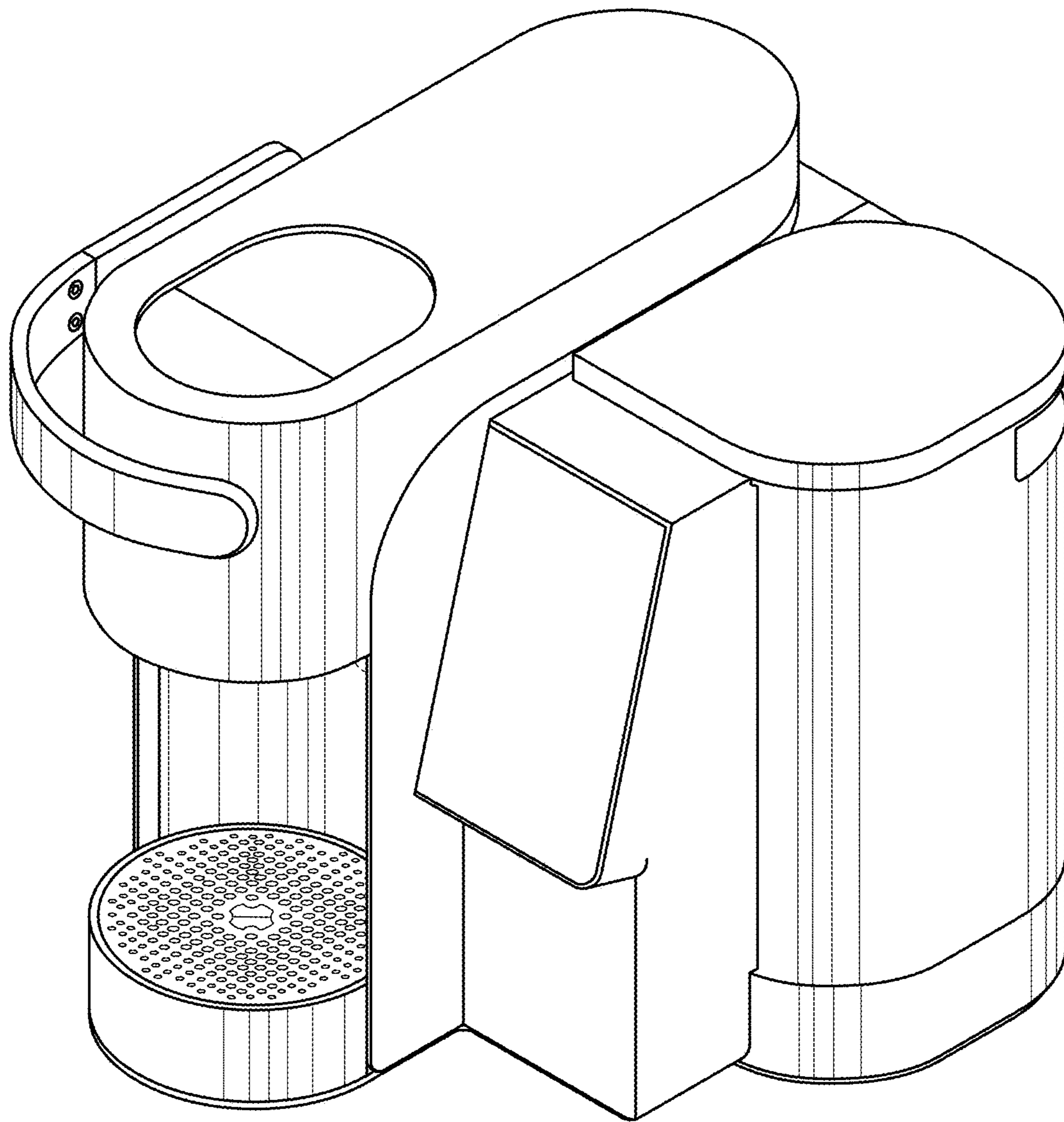


FIG. 1

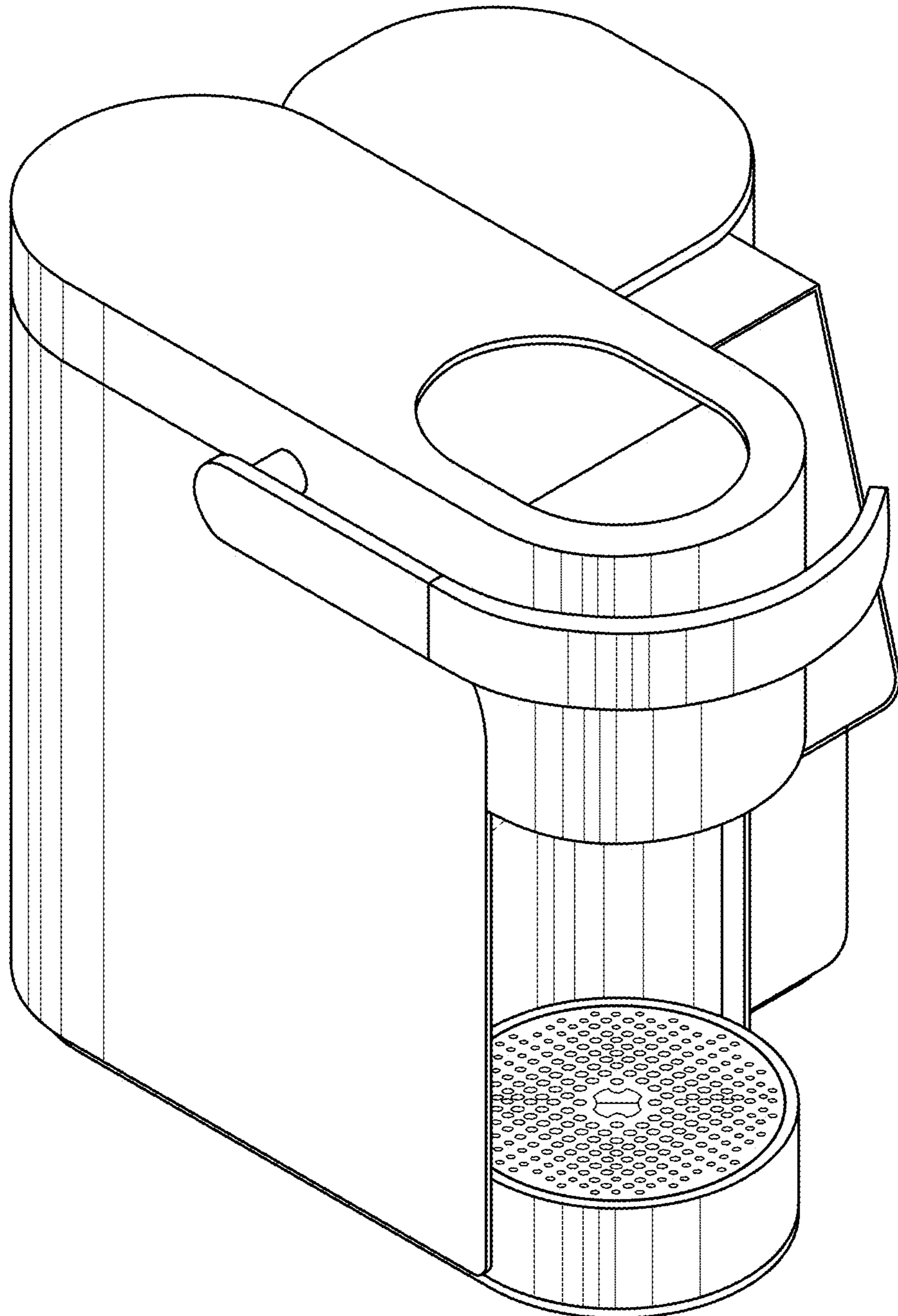


FIG. 2

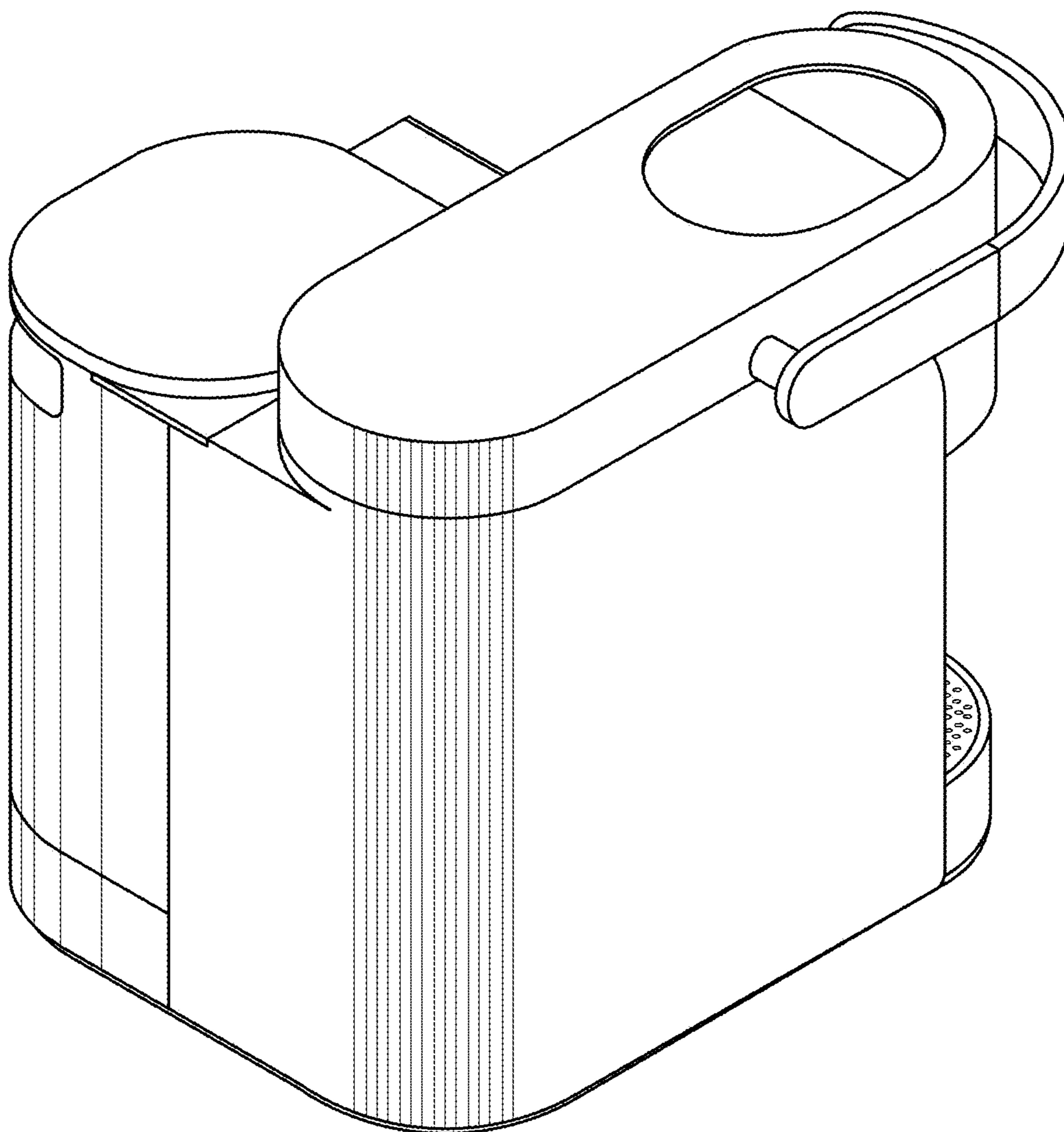


FIG. 3

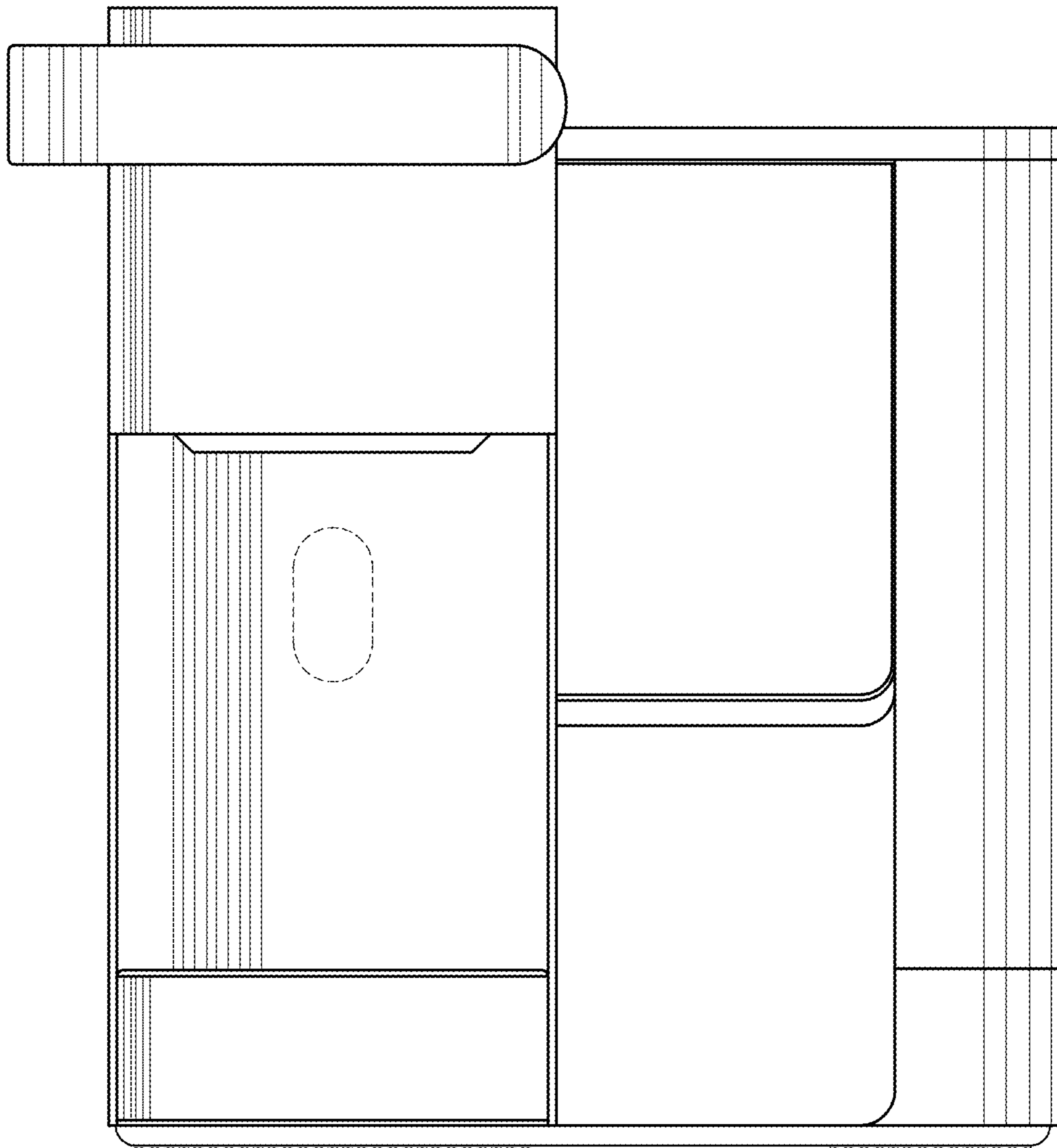


FIG. 4

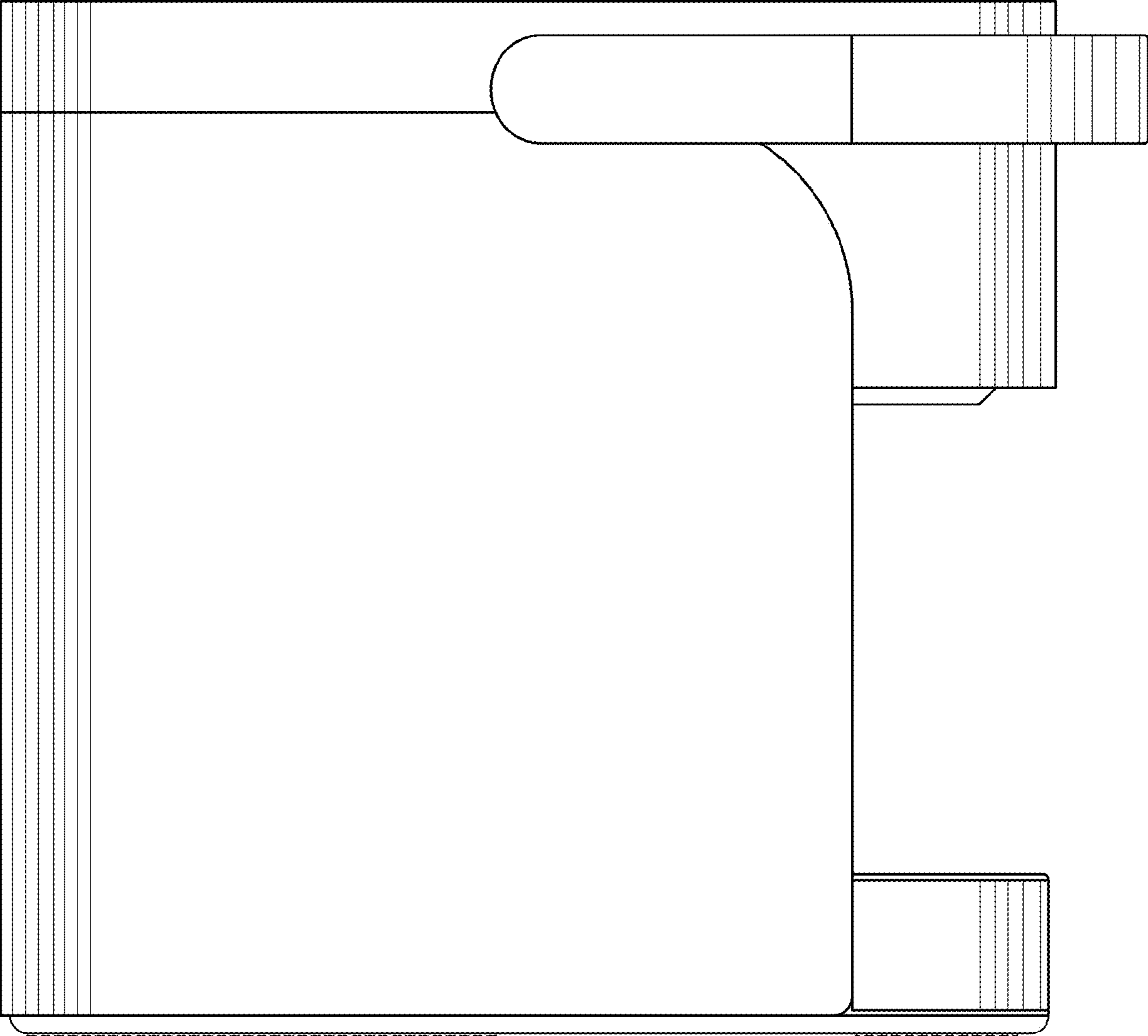


FIG. 5

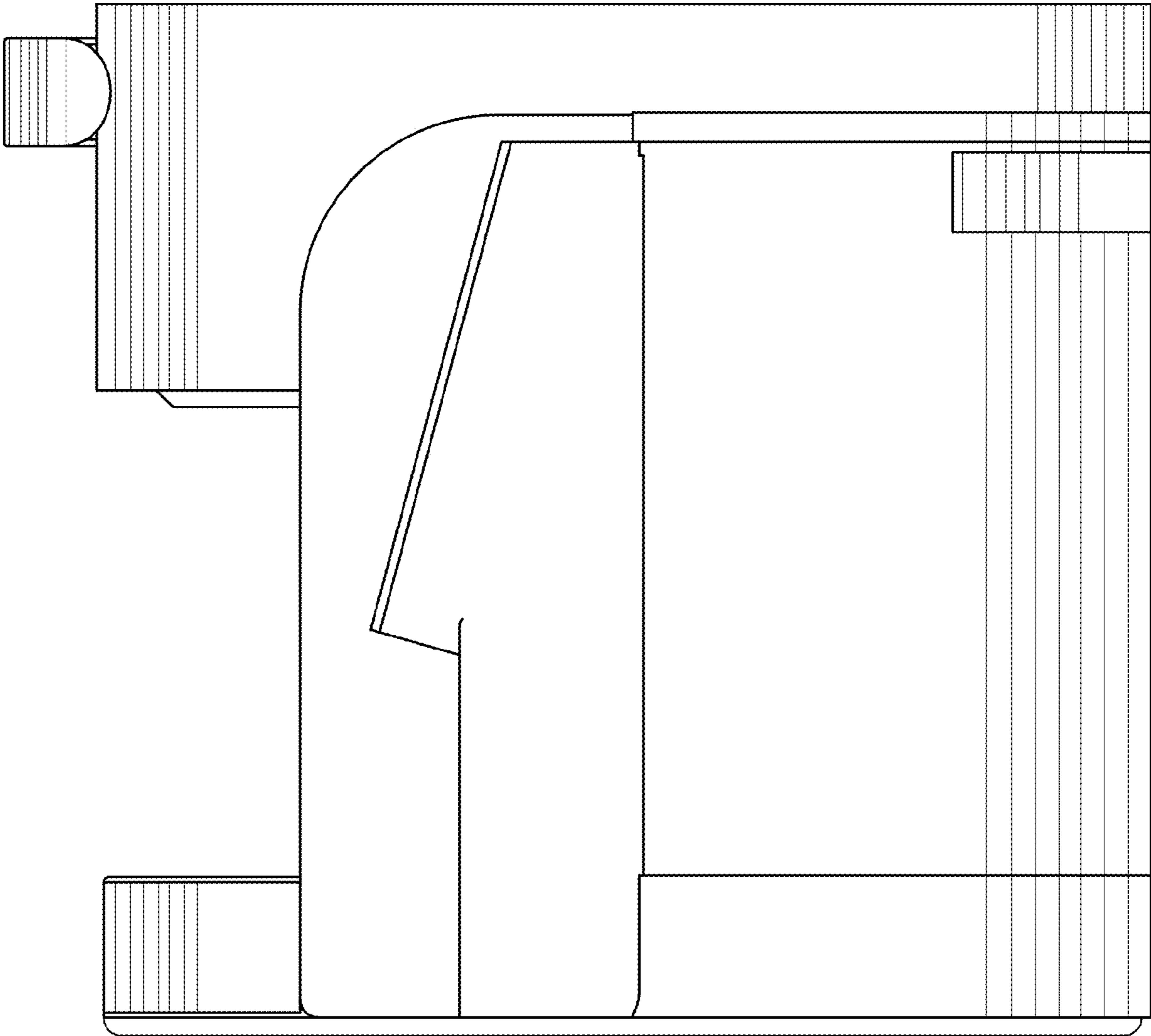


FIG. 6

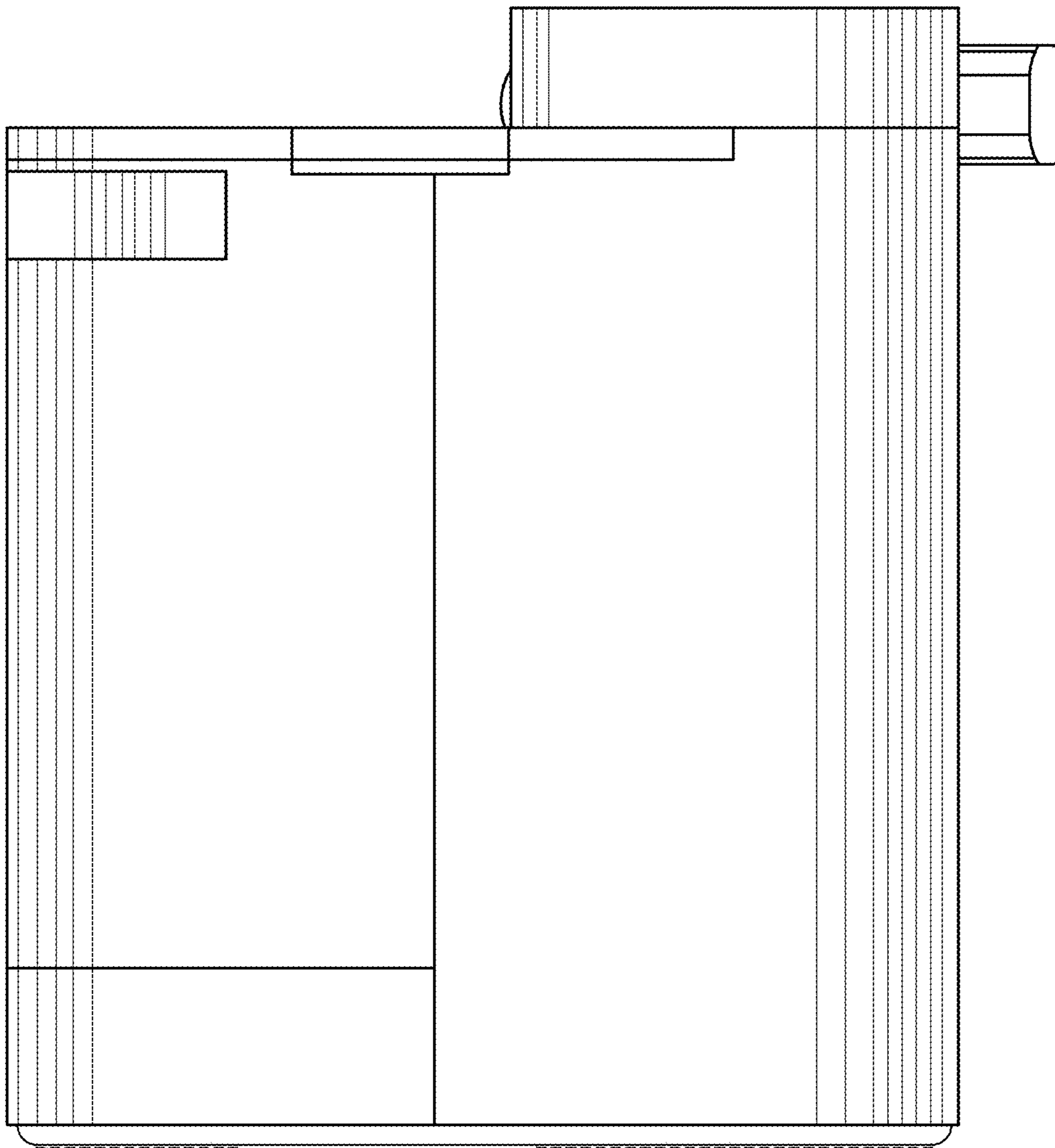


FIG. 7

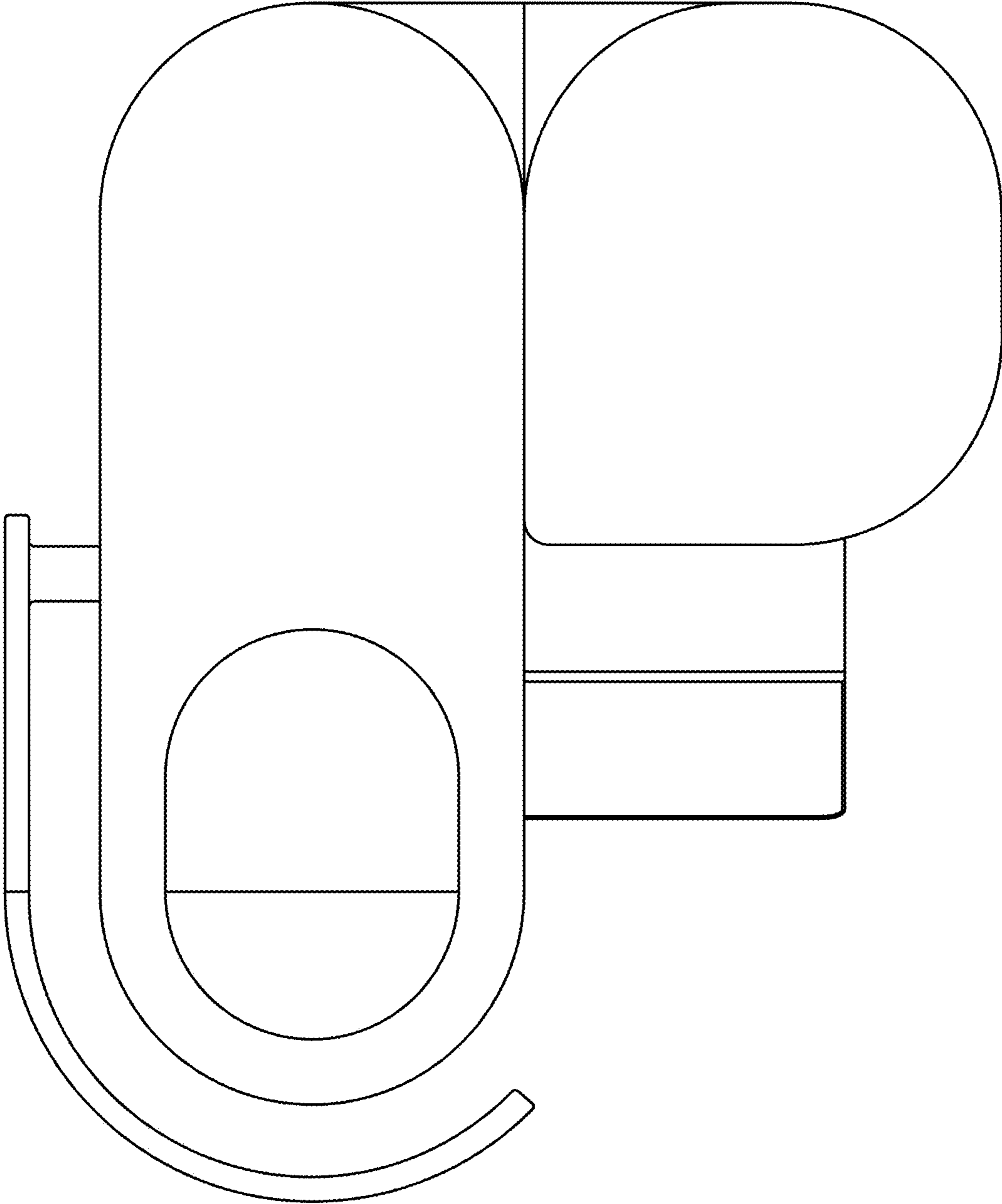


FIG. 8