



US00D942197S

(12) **United States Design Patent** (10) **Patent No.:** **US D942,197 S**
Yi et al. (45) **Date of Patent:** **** Feb. 1, 2022**

(54) **COFFEE MAKER**
(71) Applicant: **Zhongshanshi Keliko Technology Co. Ltd.**, Zhongshan (CN)
(72) Inventors: **Quncaai Yi**, Zhongshan (CN); **Jinyong Dai**, Zhongshan (CN)
(73) Assignee: **ZHONGSHANSHI KELIKO TECHNOLOGY Co. Ltd.**, Zhongshan (CN)

D823,627 S 7/2018 Gebhardt
D828,067 S 9/2018 De'Longhi et al.
D830,757 S 10/2018 Lee
D839,652 S * 2/2019 De' Longhi D7/309
D840,735 S * 2/2019 Dutruel D7/309
D843,154 S * 3/2019 Buttler D7/309
D891,846 S * 8/2020 Bignu D7/309
D892,530 S * 8/2020 Bignu D7/309

(Continued)

(**) Term: **15 Years**
(21) Appl. No.: **29/711,796**
(22) Filed: **Nov. 2, 2019**

(30) **Foreign Application Priority Data**

Sep. 9, 2019 (CN) 201930497037.3

(51) **LOC (13) Cl.** **07-02**

(52) **U.S. Cl.**
USPC **D7/309**

(58) **Field of Classification Search**
USPC D7/300, 304-322, 372-373, 376, D7/397-401, 415; D20/4, 5; D23/201, D23/207, 366; D24/216-217, 219, 224; 99/292, 293
CPC A47J 31/00; A47J 31/002; A47J 31/04; A47J 31/043; A47J 31/057; A47J 31/007; A47J 31/10; A47J 31/14; A47J 31/40; A47J 31/407; A47J 31/42; B67D 1/00; B67D 1/0043

See application file for complete search history.

(56) **References Cited**

U.S. PATENT DOCUMENTS

D713,668 S * 9/2014 Metaxatos D7/309
D719,393 S * 12/2014 De Pra D7/309
D737,091 S * 8/2015 Gebhardt D7/309

OTHER PUBLICATIONS

Saeco PicoBaristo Super Automatic Espresso Machine, first available Feb. 1, 2016, Amazon, [online], [site visited Jun. 25, 2021], Available from internet URL: <https://www.amazon.com/Saeco-HD8927-47-PicoBaristo-Automatic/dp/B01MU9R08E> (Year: 2016).*

(Continued)

Primary Examiner — Mary Ann Calabrese
Assistant Examiner — Natalya M Rapundalo
(74) *Attorney, Agent, or Firm* — Craft Chu PLLC; Andrew W. Chu

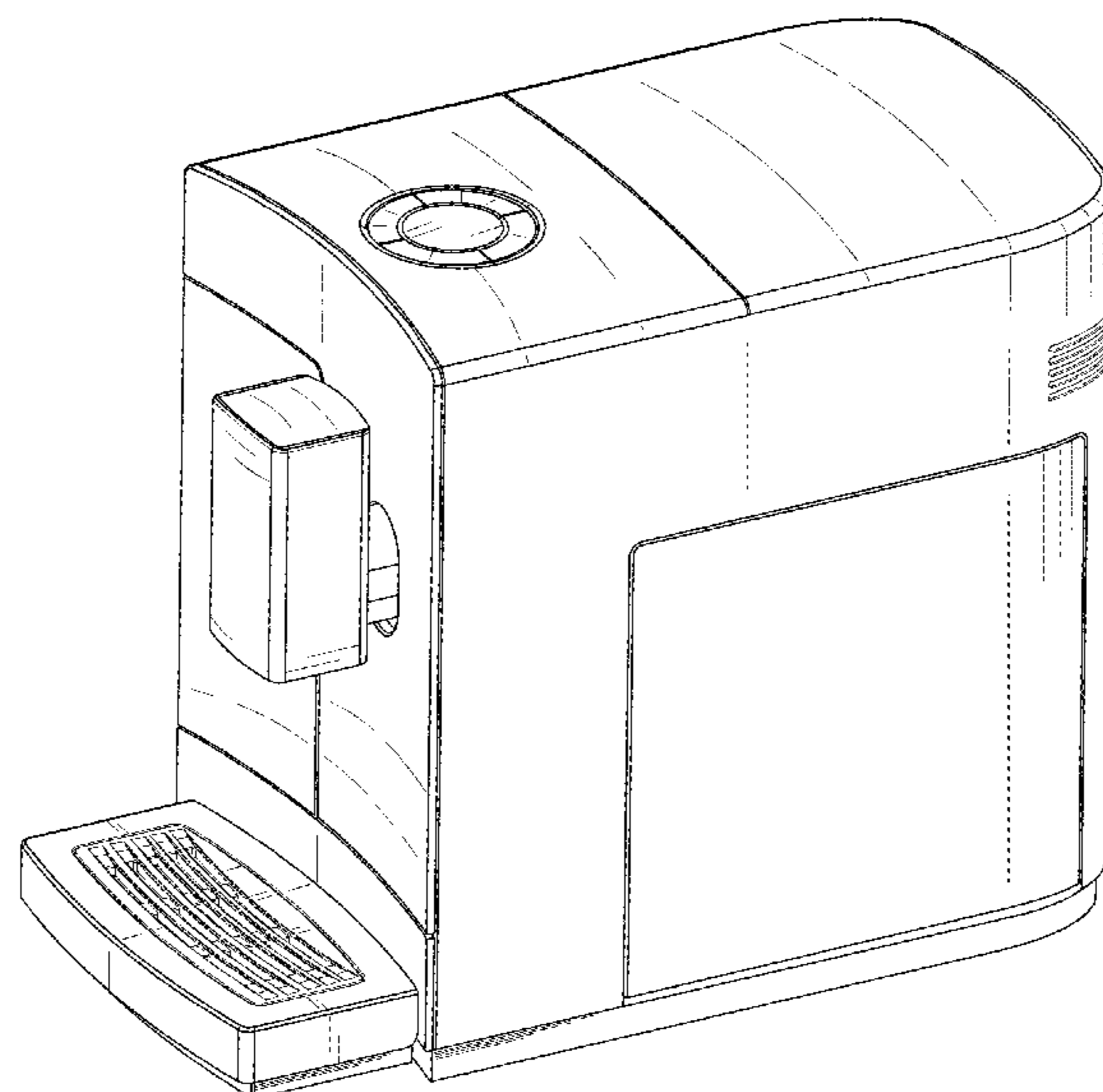
(57) **CLAIM**

The ornamental design for a coffee maker, as shown and described.

DESCRIPTION

FIG. 1 is a side elevation view of the coffee maker showing my design.
FIG. 2 is an opposite side elevation view thereof.
FIG. 3 is a front elevation view thereof.
FIG. 4 is a back elevation view thereof.
FIG. 5 is a top plan view thereof.
FIG. 6 is a bottom plan view thereof; and,
FIG. 7 is an upper perspective view thereof.
The broken lines show the nozzle component and depict portions of the coffee maker that form no part of the claimed design.

1 Claim, 7 Drawing Sheets



(56)

References Cited

U.S. PATENT DOCUMENTS

D931,671 S * 9/2021 Bignu D7/309

OTHER PUBLICATIONS

Miele CM5500 10-Cup Super-Automatic One-Touch Countertop Coffee_Espresso Machine, first available Jun. 26, 2019, Amazon, [online], [site visited Jun. 25, 2021], Available from internet URL: <https://www.amazon.com/Miele-Super-Automatic-One-Touch-Countertop-Espresso/dp/B07TWJK48X/> (Year: 2019).*

* cited by examiner

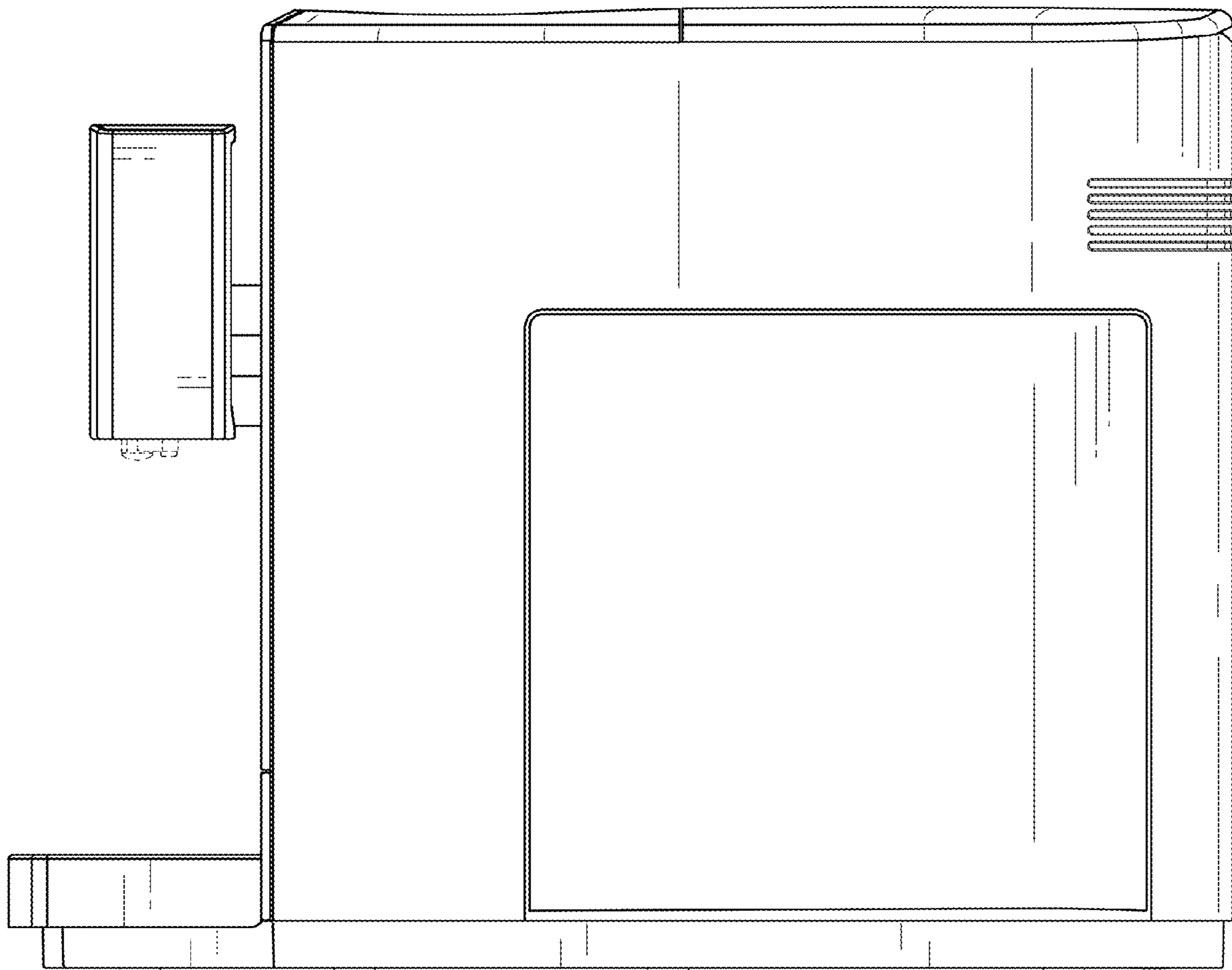


FIG. 1

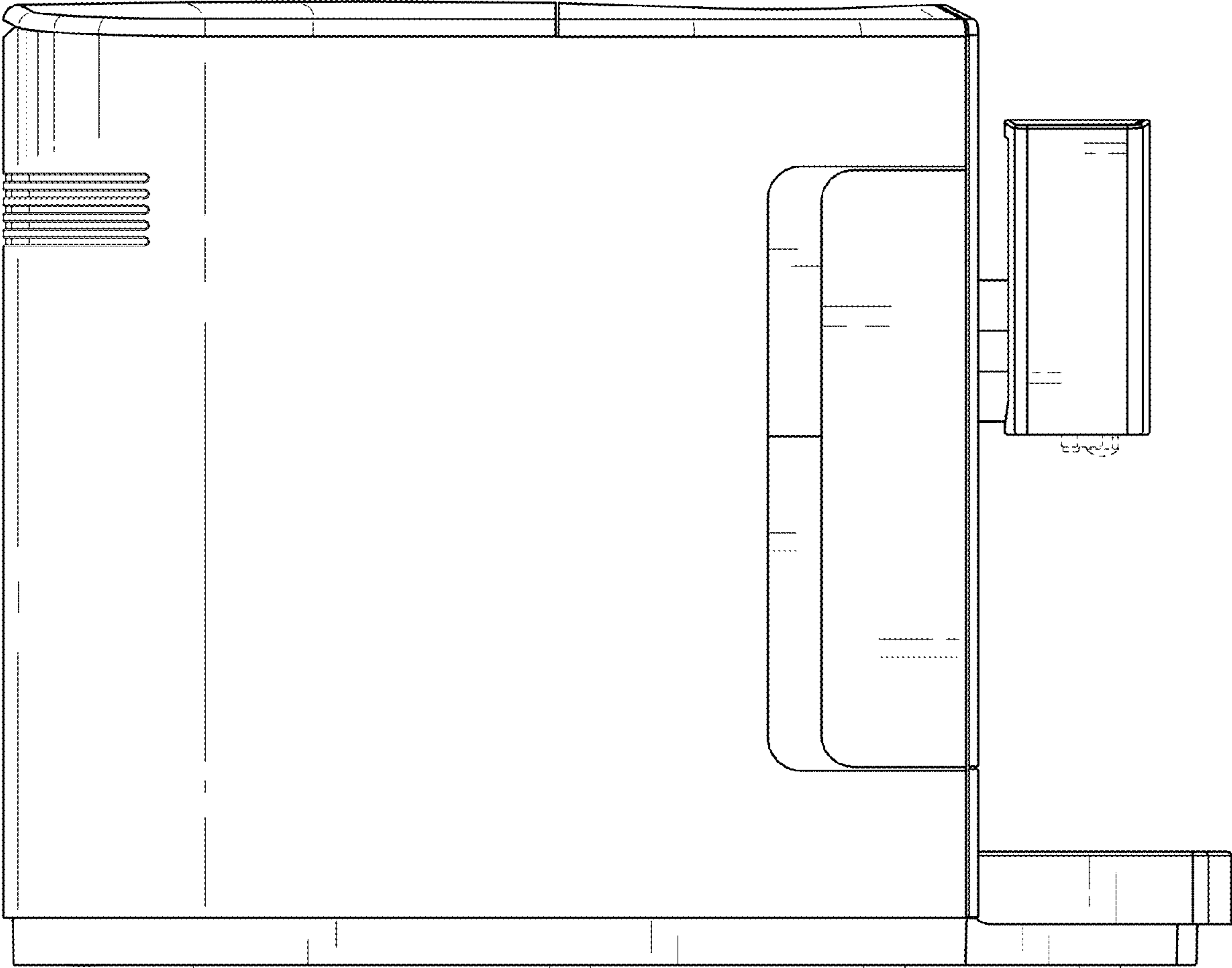


FIG. 2

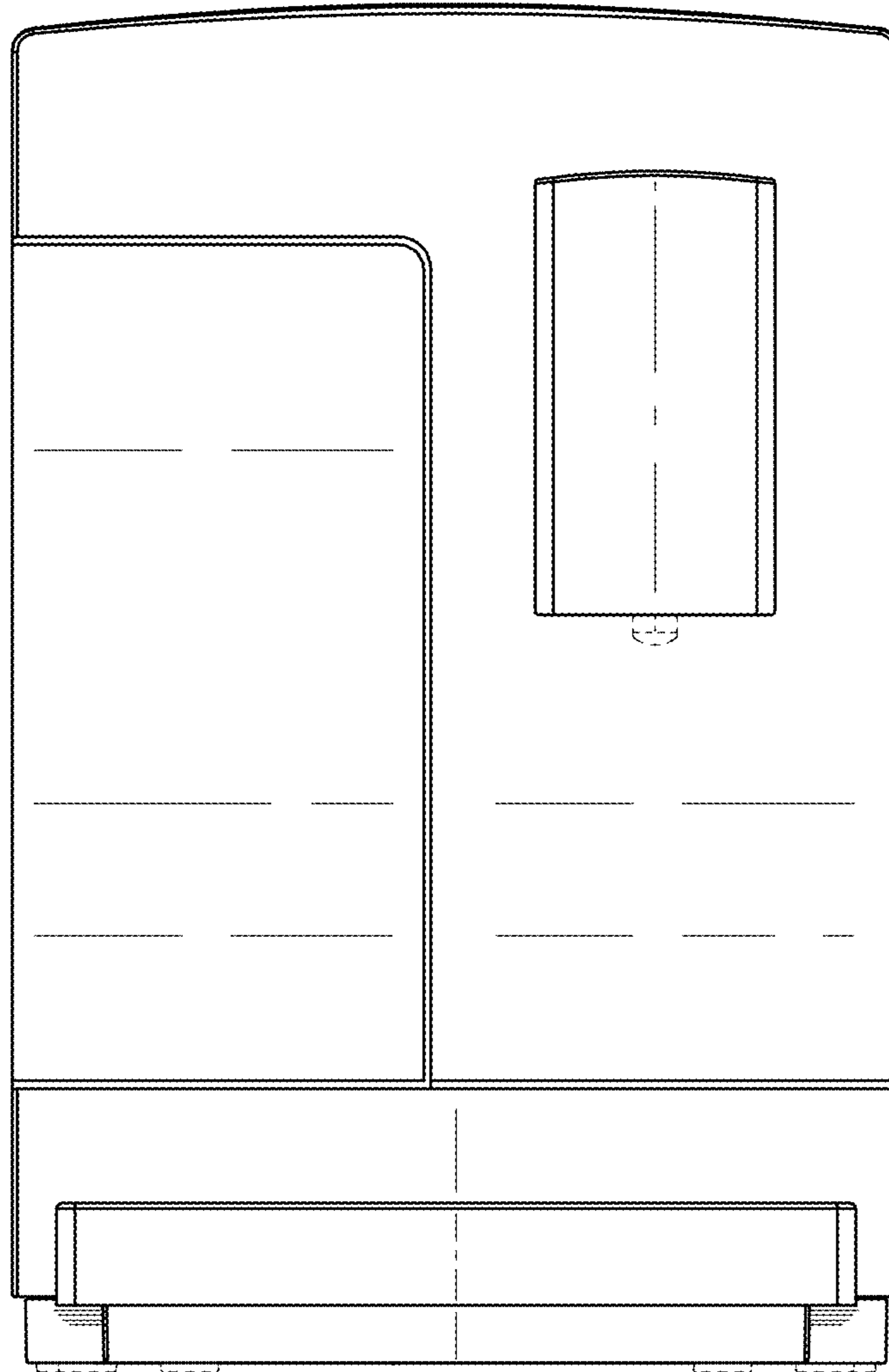


FIG. 3

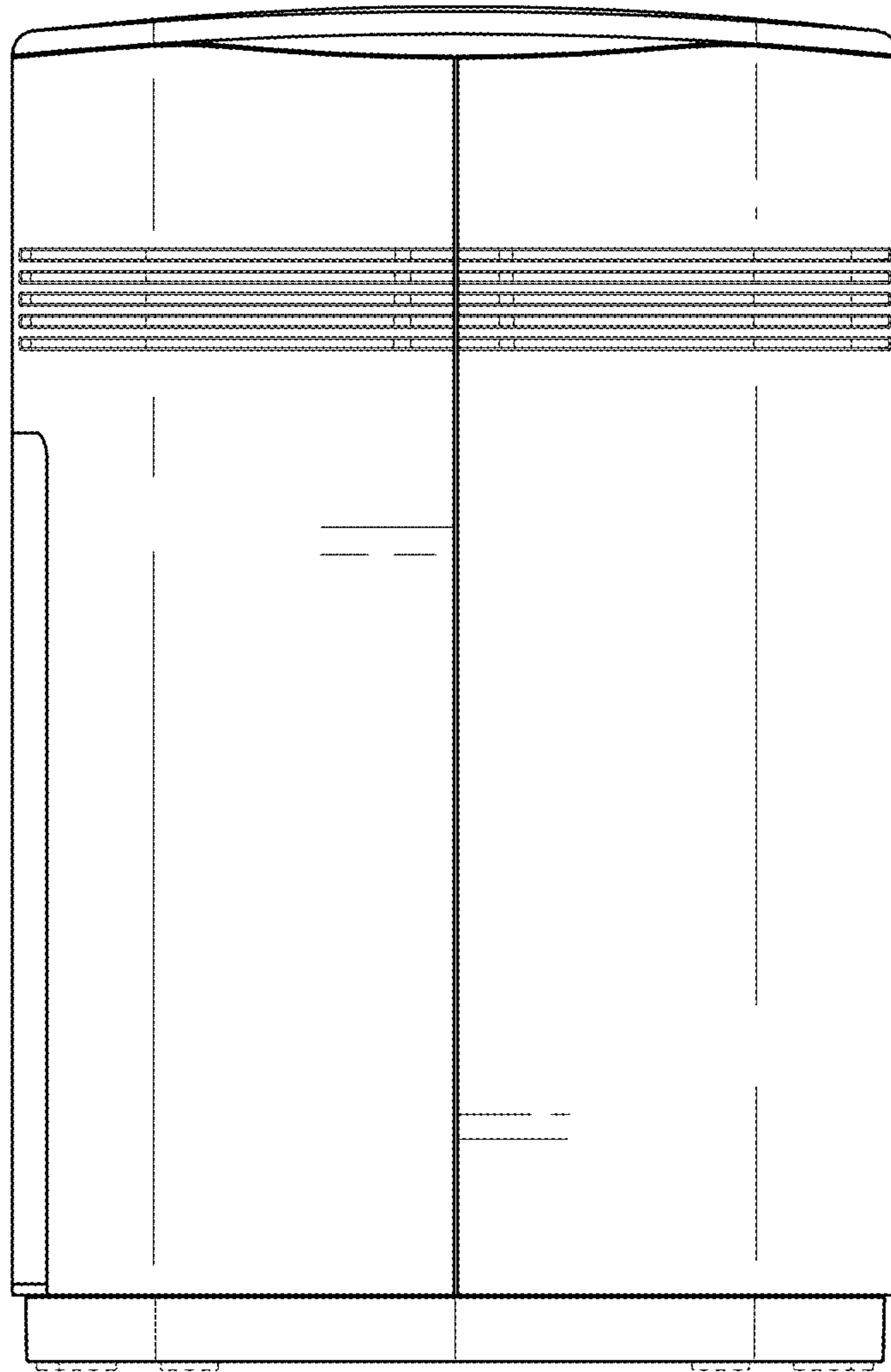


FIG. 4

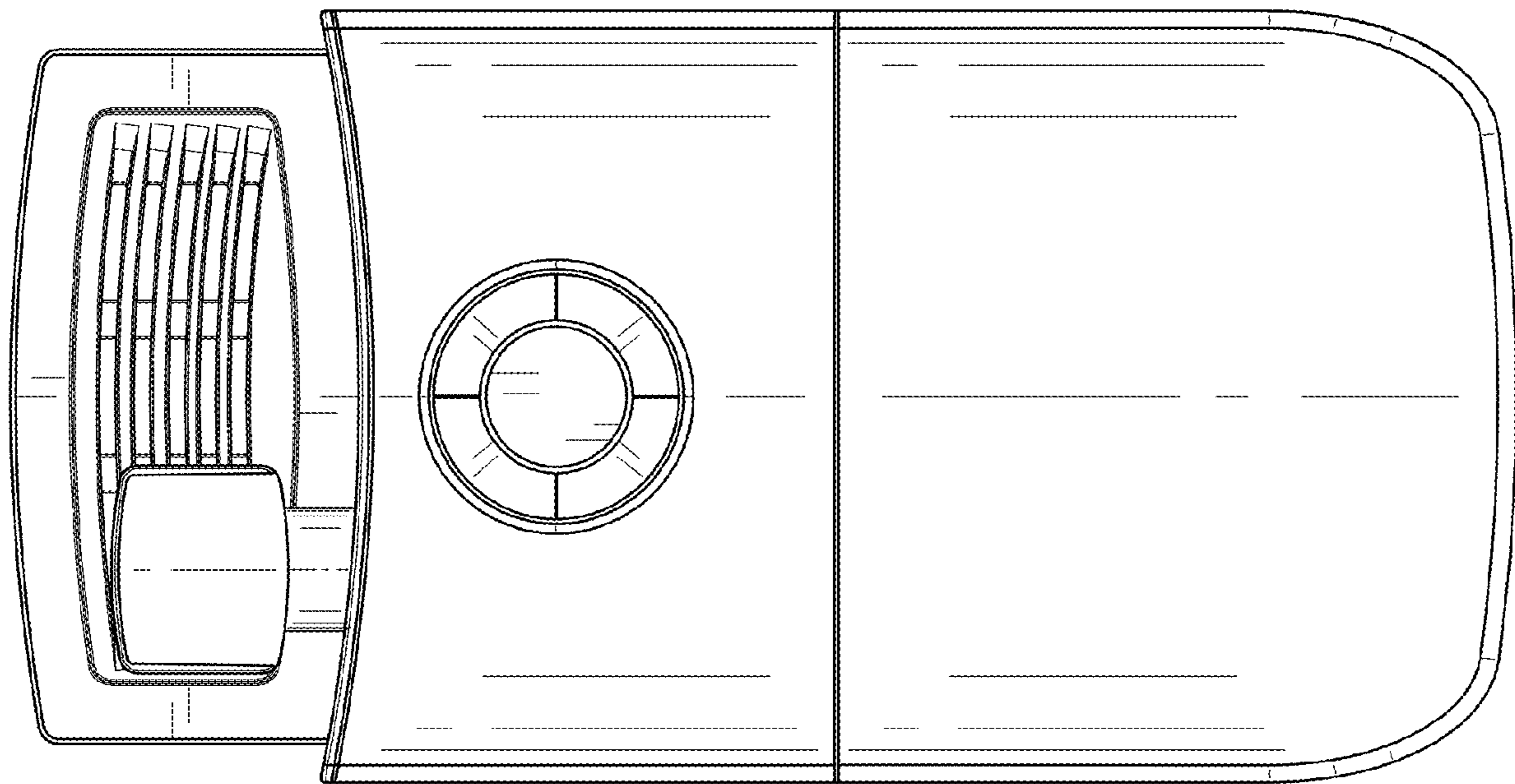


FIG. 5

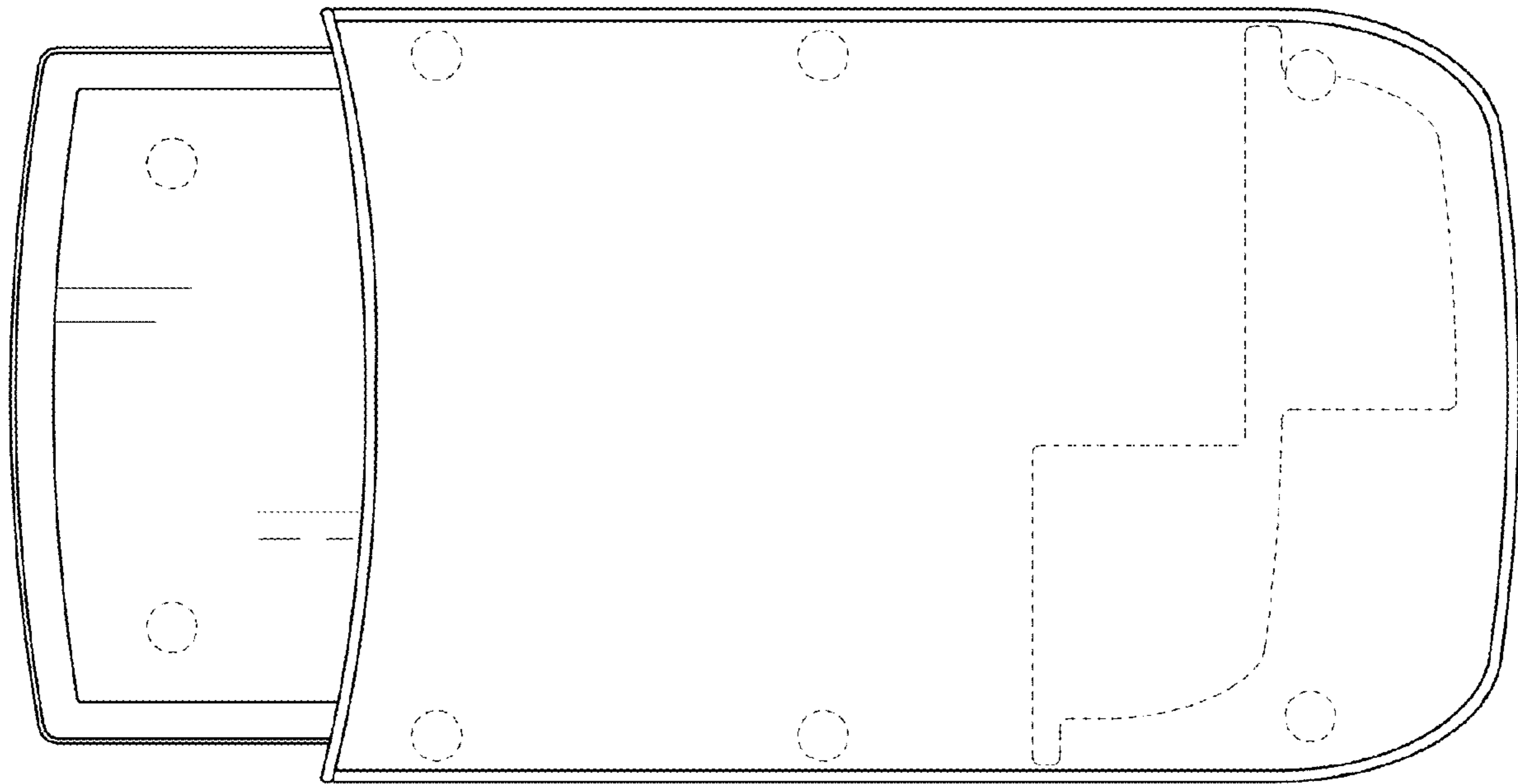


FIG. 6

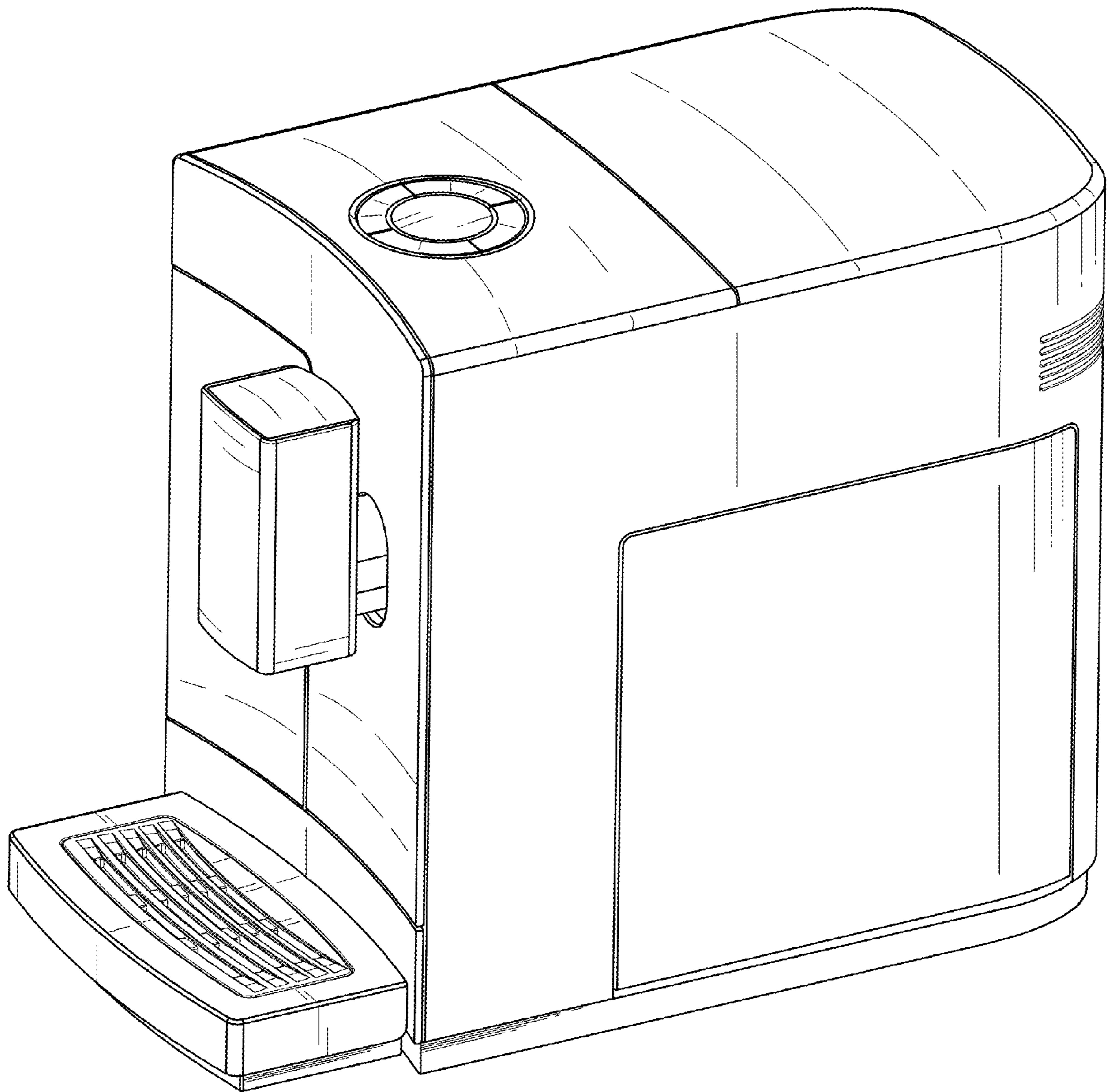


FIG. 7