

US00D942196S

(12) **United States Design Patent** (10) **Patent No.:** **US D942,196 S**  
**Snell et al.** (45) **Date of Patent:** **\*\* Feb. 1, 2022**

(54) **CHAIR**

(71) Applicant: **Birmingham City University,**  
Birmingham (GB)

(72) Inventors: **Richard John Snell,** Birmingham  
(GB); **David Edwin Rowe,**  
Worcestershire (GB)

(73) Assignee: **Birmingham City University,**  
Birmingham (GB)

D195,620 S 7/1963 Chapman  
D213,191 S 1/1969 Koch et al.  
5,154,474 A \* 10/1992 Desanta ..... A47C 3/04  
297/239  
D336,805 S \* 6/1993 Starke ..... D6/716.4  
D376,272 S \* 12/1996 Piretti ..... D6/374  
D455,571 S 4/2002 Van et al.  
D520,768 S \* 5/2006 Glass ..... D6/374  
D520,782 S \* 5/2006 Glass ..... D6/716.4  
D643,225 S 8/2011 Hurford  
D673,395 S 1/2013 Peretti  
D841,354 S 2/2019 Rassat  
D864,639 S \* 10/2019 Snell ..... D6/716

(\*\*) Term: **15 Years**

\* cited by examiner

(21) Appl. No.: **29/711,201**

*Primary Examiner* — Mimosa De

(22) Filed: **Oct. 29, 2019**

(74) *Attorney, Agent, or Firm* — TraskBritt

**Related U.S. Application Data**

(63) Continuation of application No. 29/612,078, filed on Jul. 28, 2017, now Pat. No. Des. 864,639.

(51) **LOC (13) Cl.** ..... **06-06**

(52) **U.S. Cl.**  
USPC ..... **D6/716.4**

(58) **Field of Classification Search**  
USPC ..... D6/334–336, 374, 376, 379, 380, 716,  
D6/716.1, 716.2, 716.4  
CPC .... A47C 3/04; A47C 4/02; A47C 4/03; A47C  
5/04; A47C 5/06; A47C 7/40; A47C 7/54  
See application file for complete search history.

(56) **References Cited**

**U.S. PATENT DOCUMENTS**

D171,116 S 12/1953 Adkinson  
D181,241 S 10/1957 Swanson et al.

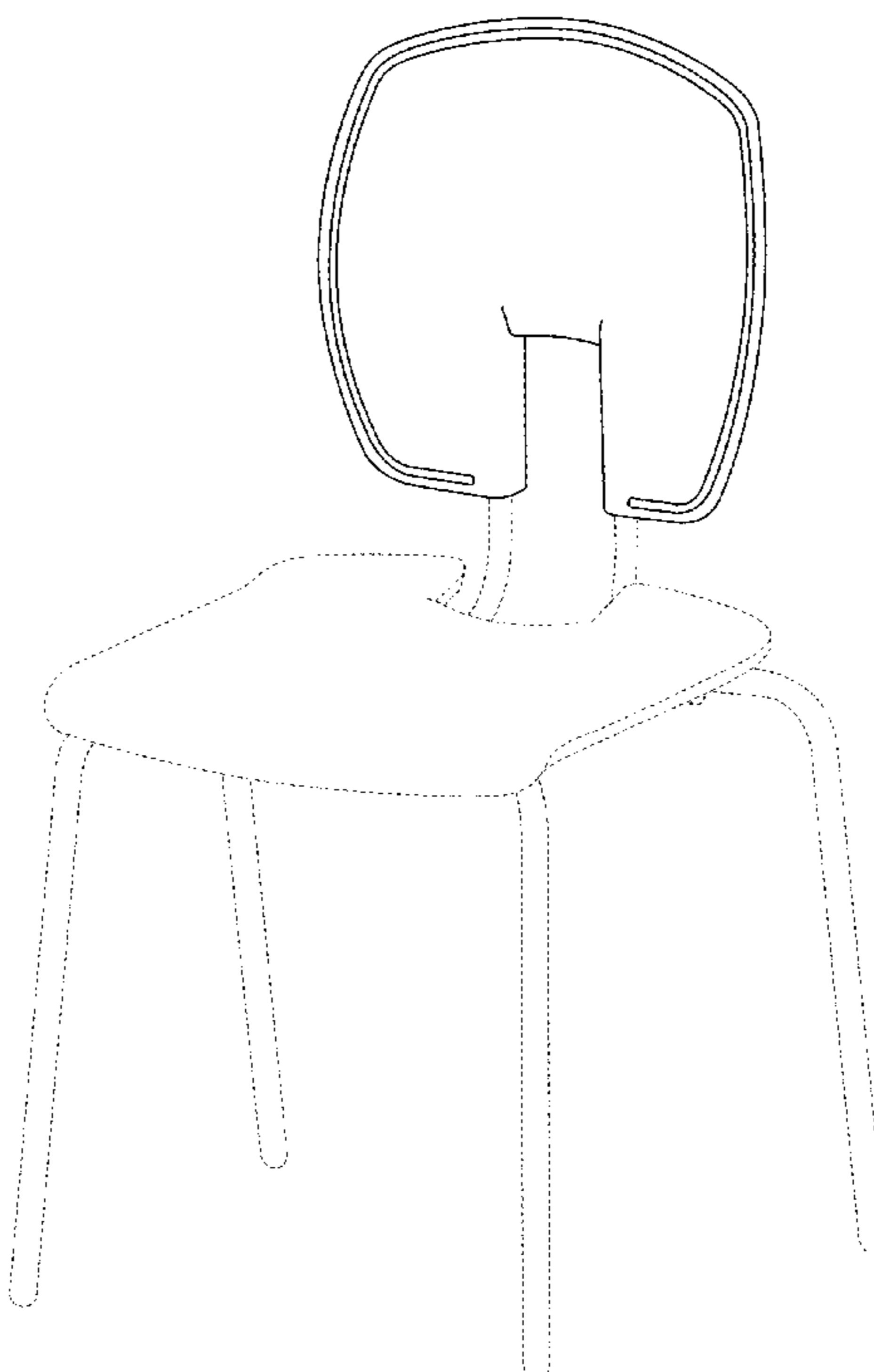
(57) **CLAIM**

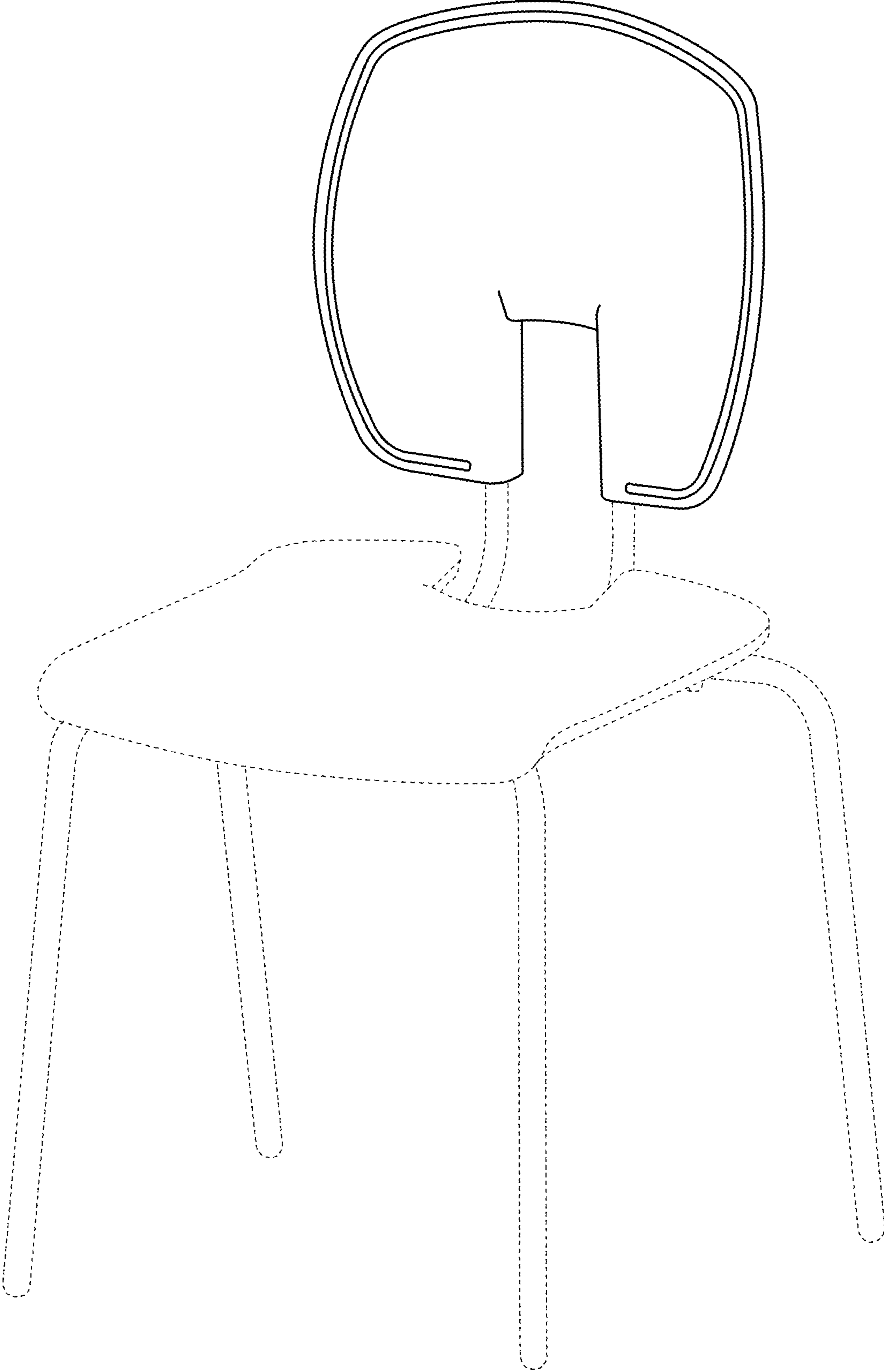
The ornamental design for a chair, as shown and described.

**DESCRIPTION**

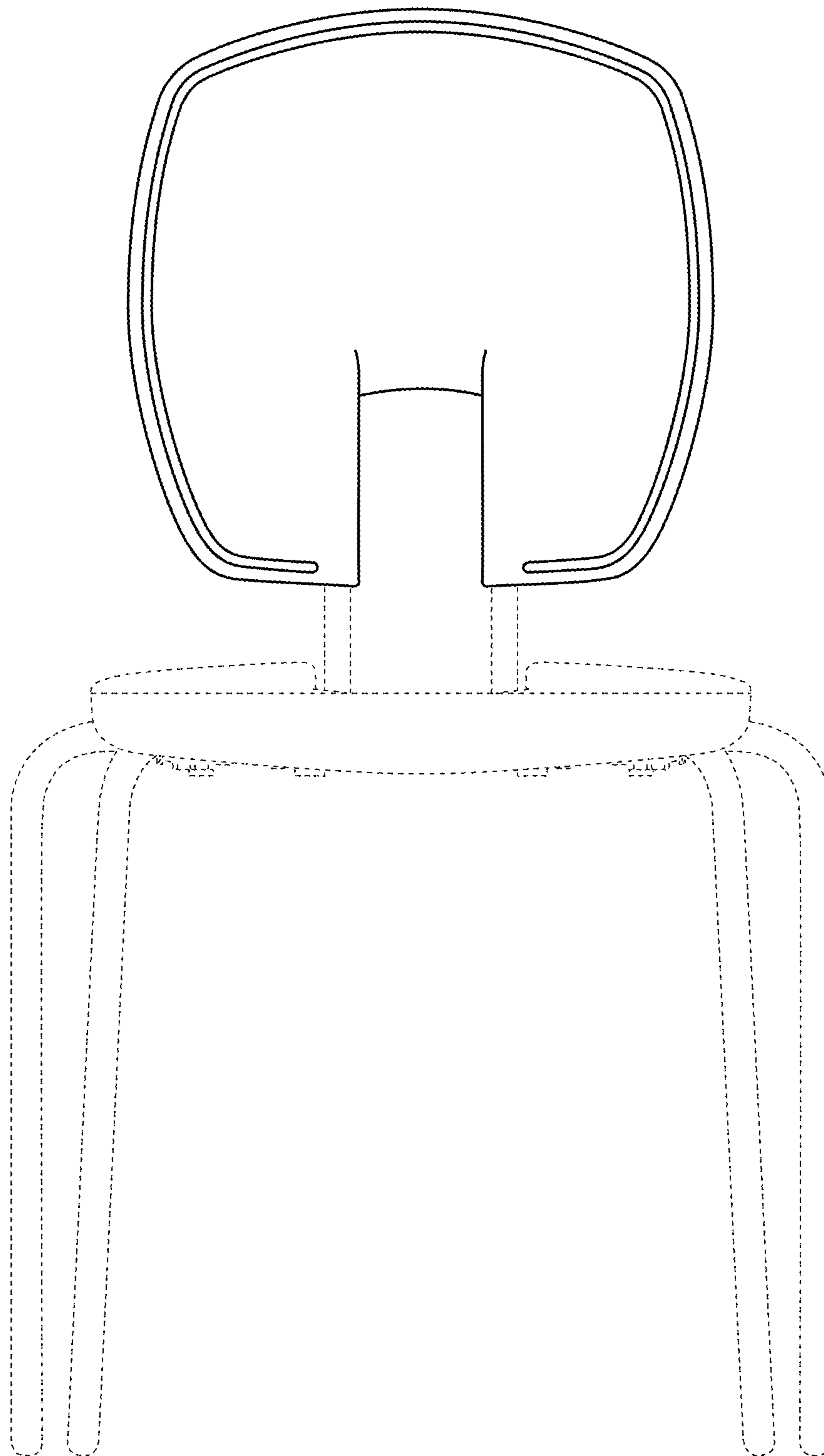
FIG. 1 is a perspective view of a chair according to our design;  
FIG. 2 is a front view of the chair shown in FIG. 1;  
FIG. 3 is a back view of the chair shown in FIG. 1;  
FIG. 4 is a left side view of the chair shown in FIG. 1;  
FIG. 5 is a right side view of the chair shown in FIG. 1;  
FIG. 6 is a top view of the chair shown in FIG. 1; and,  
FIG. 7 is a bottom view of the chair shown in FIG. 1.  
The broken lines in FIGS. 1-7 are for environmental purposes only and do not form any part of the claimed design.

**1 Claim, 7 Drawing Sheets**

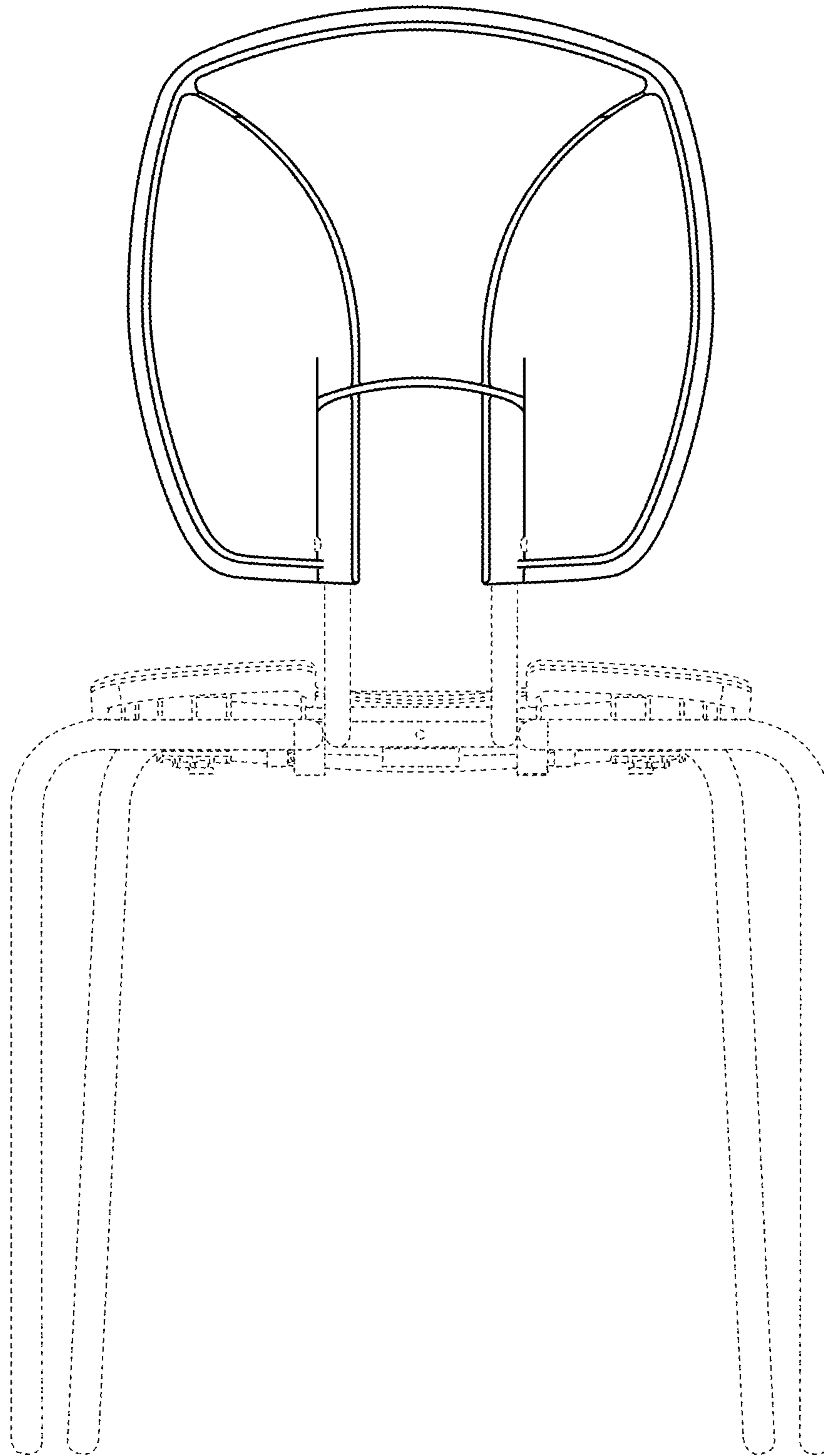




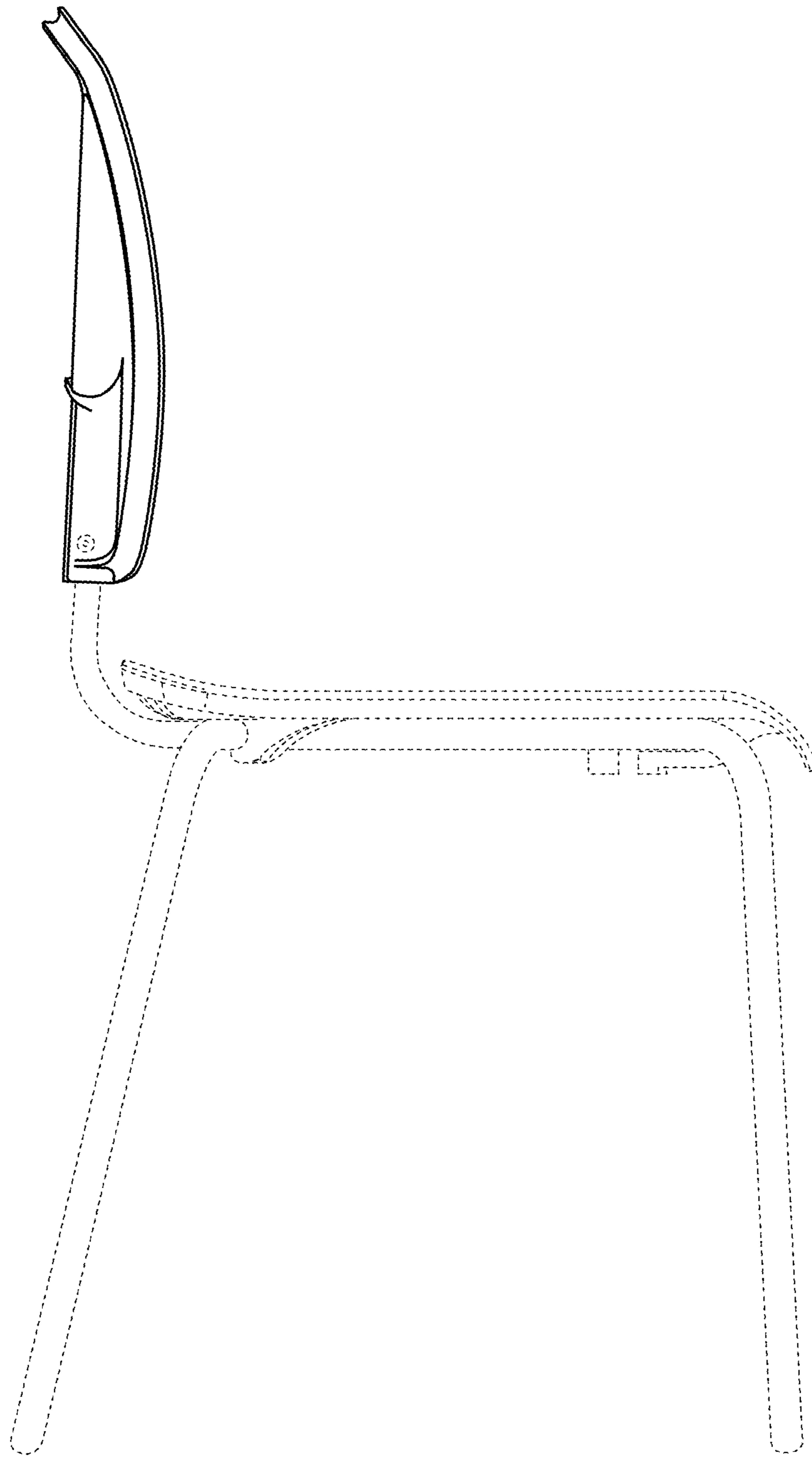
**FIG. 1**



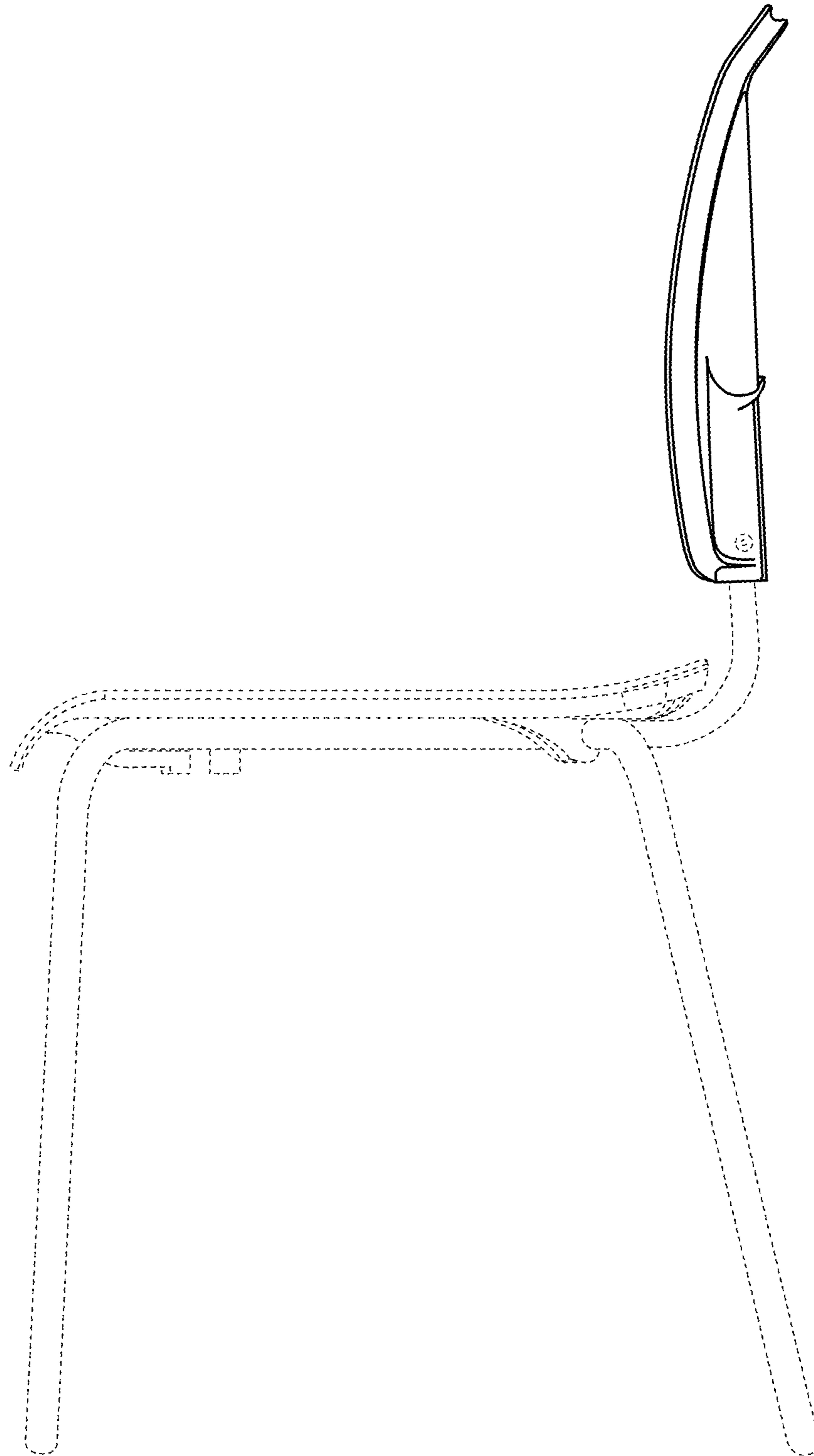
**FIG. 2**



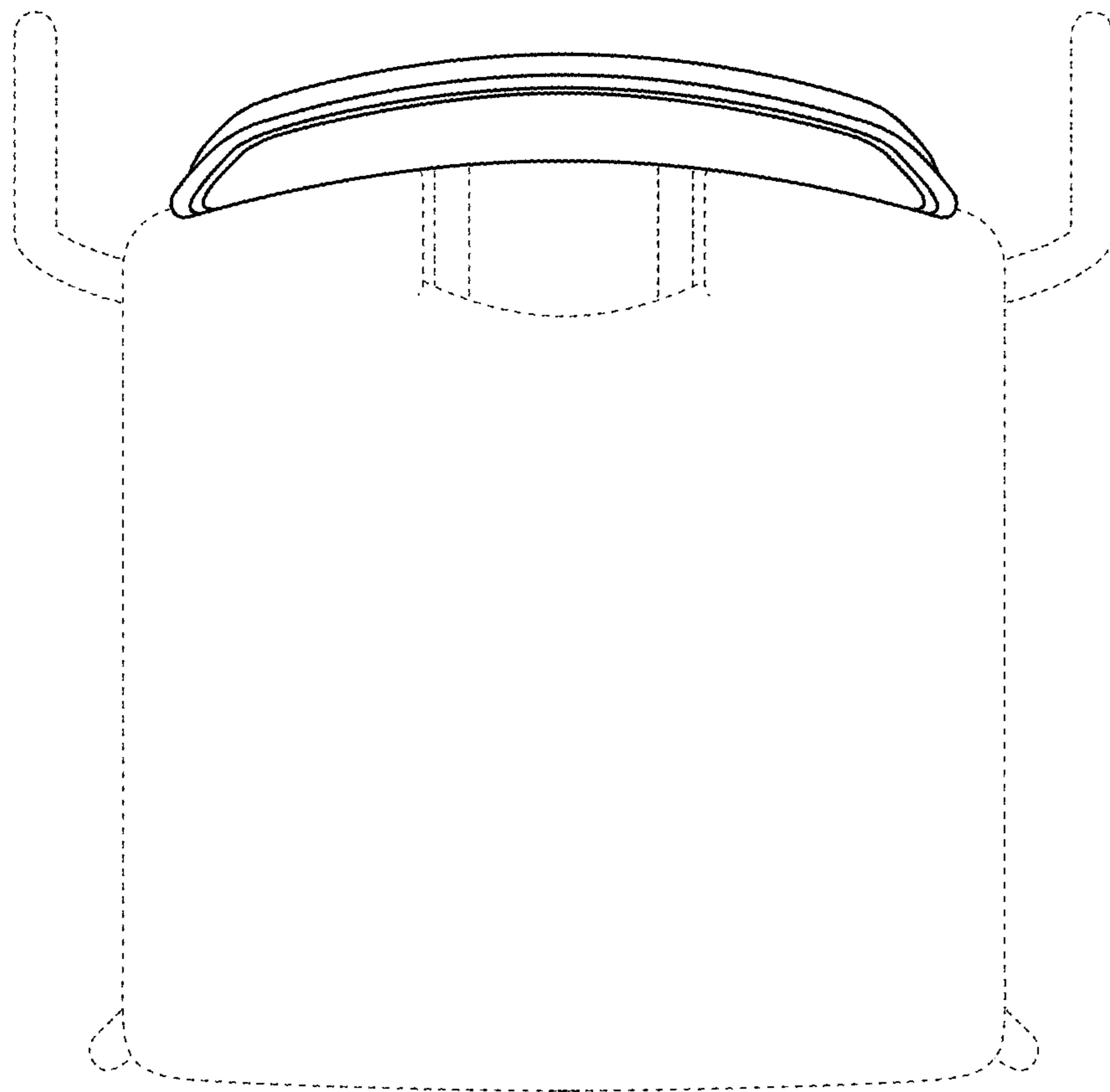
**FIG. 3**



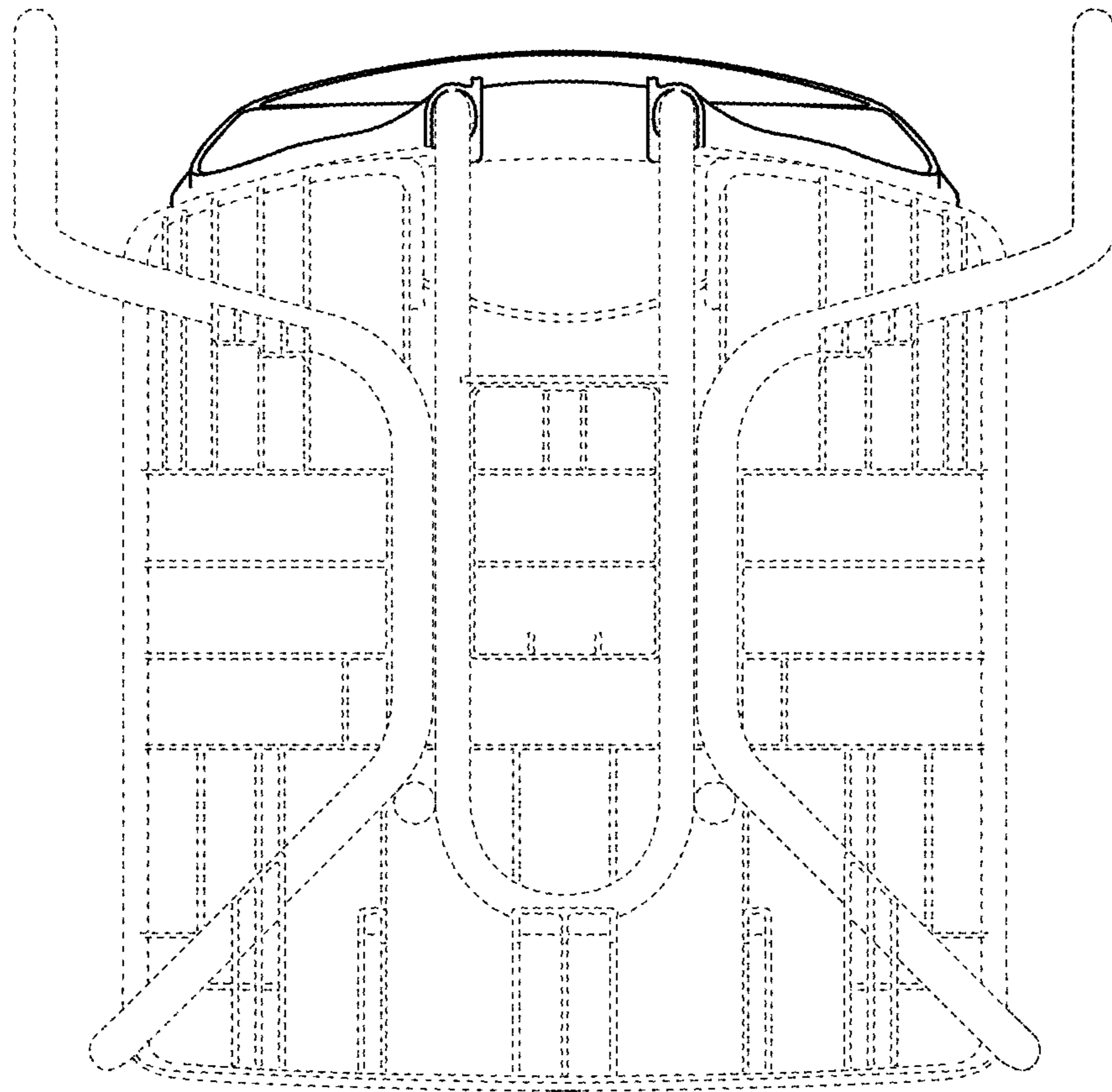
**FIG. 4**



**FIG. 5**



**FIG. 6**



**FIG. 7**