



US00D942195S

(12) **United States Design Patent**
Yang

(10) **Patent No.:** **US D942,195 S**

(45) **Date of Patent:** **** Feb. 1, 2022**

(54) **CHAIR**

(71) Applicant: **YAHEE TRADING LIMITED**, Hong Kong (CN)

(72) Inventor: **Le Yang**, Shenzhen (CN)

(73) Assignee: **YAHEE TRADING LIMITED**, Hong Kong (CN)

(**) Term: **15 Years**

(21) Appl. No.: **29/746,494**

(22) Filed: **Aug. 14, 2020**

(51) **LOC (13) Cl.** **06-01**

(52) **U.S. Cl.**
USPC **D6/716**

(58) **Field of Classification Search**
USPC D6/334, 366, 367, 374, 375, 379, 380,
D6/716, 716.1, 716.2, 716.4
CPC A47C 1/02; A47C 1/024; A47C 1/03255;
A47C 3/18; A47C 3/20; A47C 7/18;
A47C 7/24; A47C 7/36; A47C 7/38;
A47C 7/40; A47C 7/46; A47C 7/54
See application file for complete search history.

(56) **References Cited**

U.S. PATENT DOCUMENTS

D496,535 S * 9/2004 Goodworth D6/366
D543,736 S * 6/2007 Shields D6/366

D555,377 S * 11/2007 Pensi D6/366
D695,538 S * 12/2013 Geelen D6/366
D761,578 S * 7/2016 Neil D6/366
D781,604 S * 3/2017 Smith D6/366
D792,717 S * 7/2017 Webb D6/366
D794,347 S * 8/2017 Cazzaniga D6/366
10,258,159 B2 * 4/2019 Costaglia A47C 1/03272
D902,614 S * 11/2020 Peng D6/366
D908,381 S * 1/2021 Breen D6/366

* cited by examiner

Primary Examiner — R. Johnson

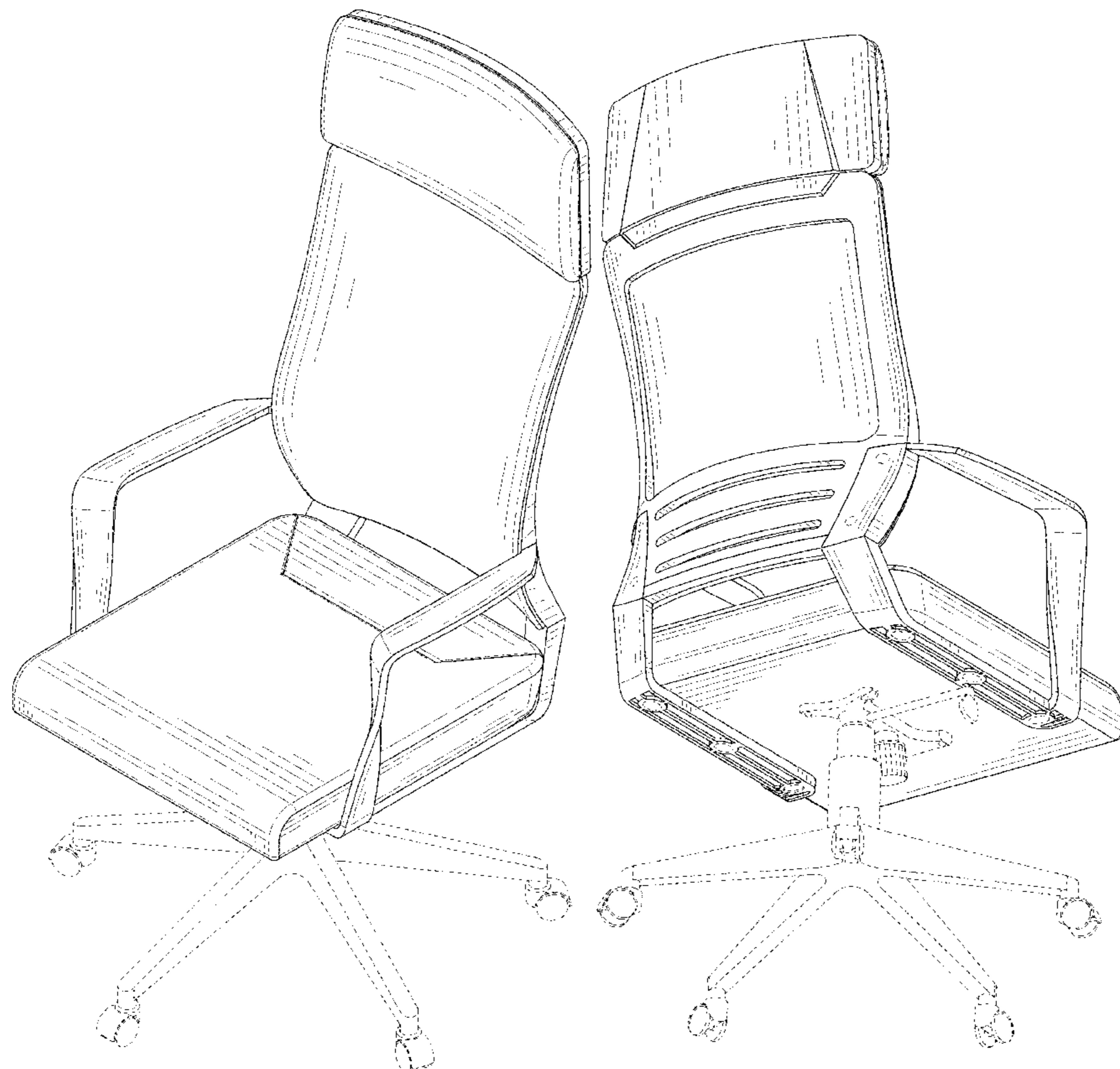
(57) **CLAIM**

The ornamental design for a chair, as shown and described.

DESCRIPTION

FIG. 1 is a perspective view of a chair showing my new design;
FIG. 2 is another perspective view thereof;
FIG. 3 is a front elevational view thereof;
FIG. 4 is a rear elevational view thereof;
FIG. 5 is a left side elevational view thereof;
FIG. 6 is a right side elevational view thereof;
FIG. 7 is a top plan view thereof; and,
FIG. 8 is a bottom plan view thereof.
The broken lines in the drawings depict portions of the chair that form no part of the claimed design.

1 Claim, 8 Drawing Sheets



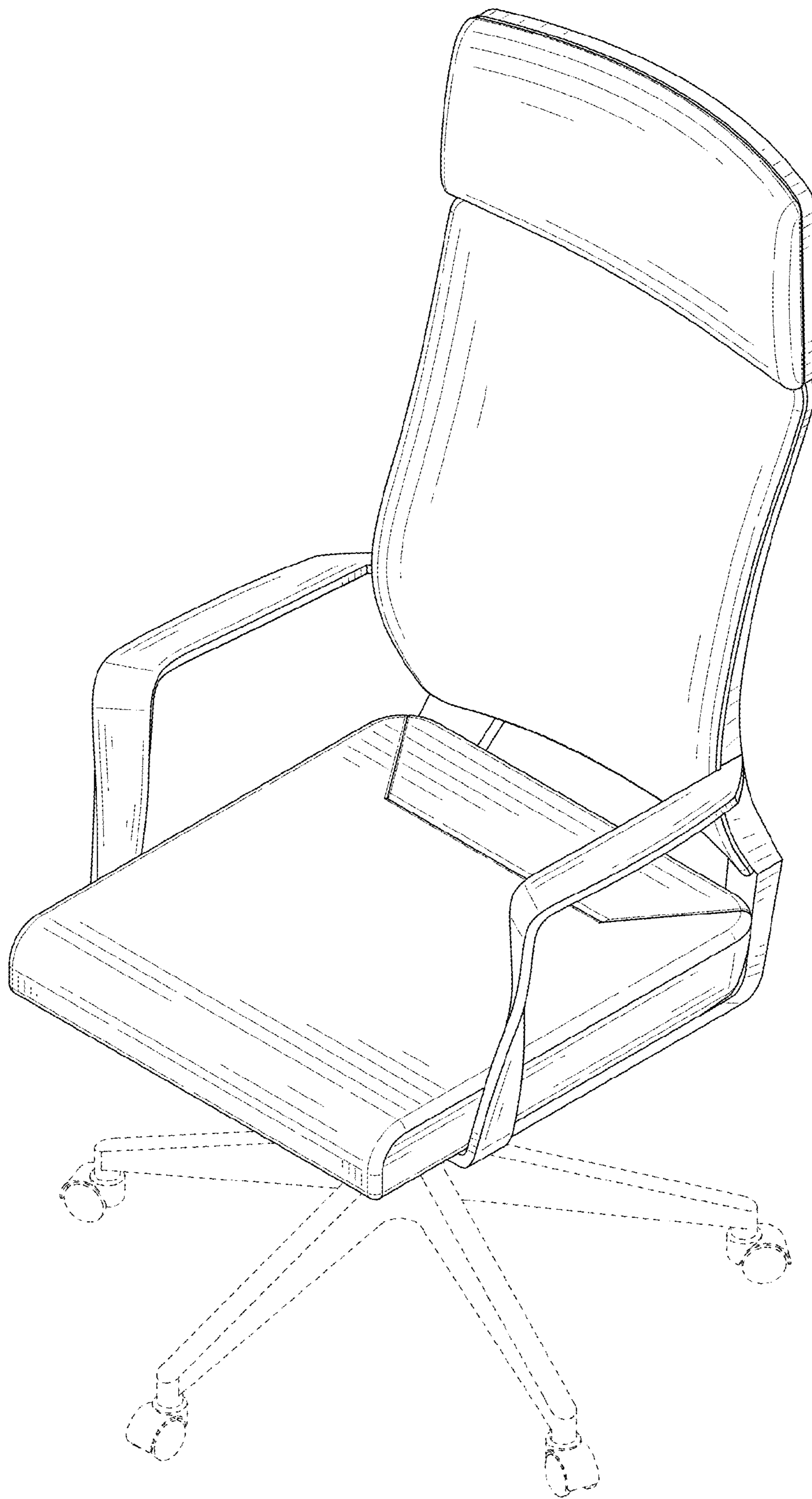


FIG. 1

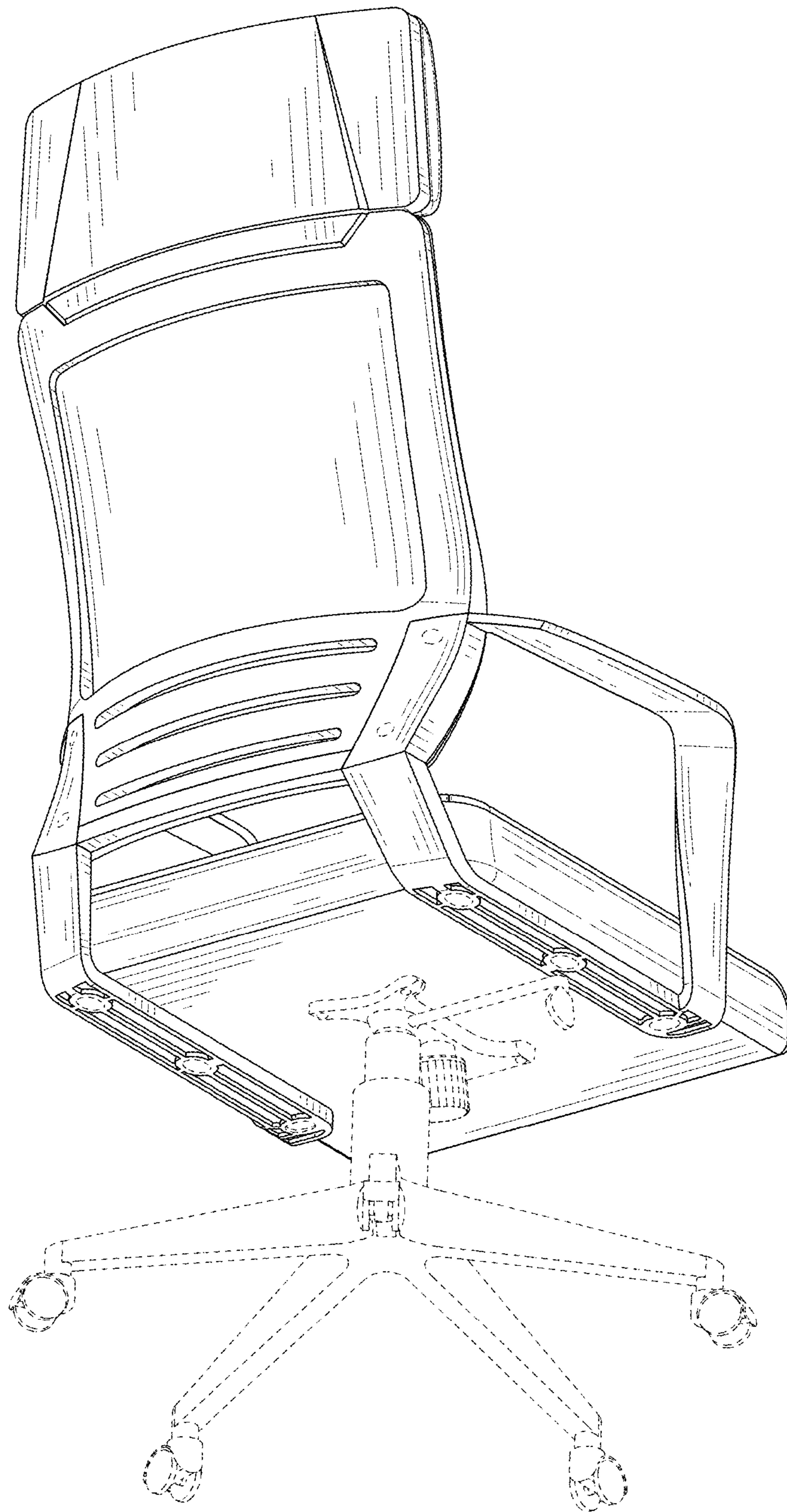


FIG. 2

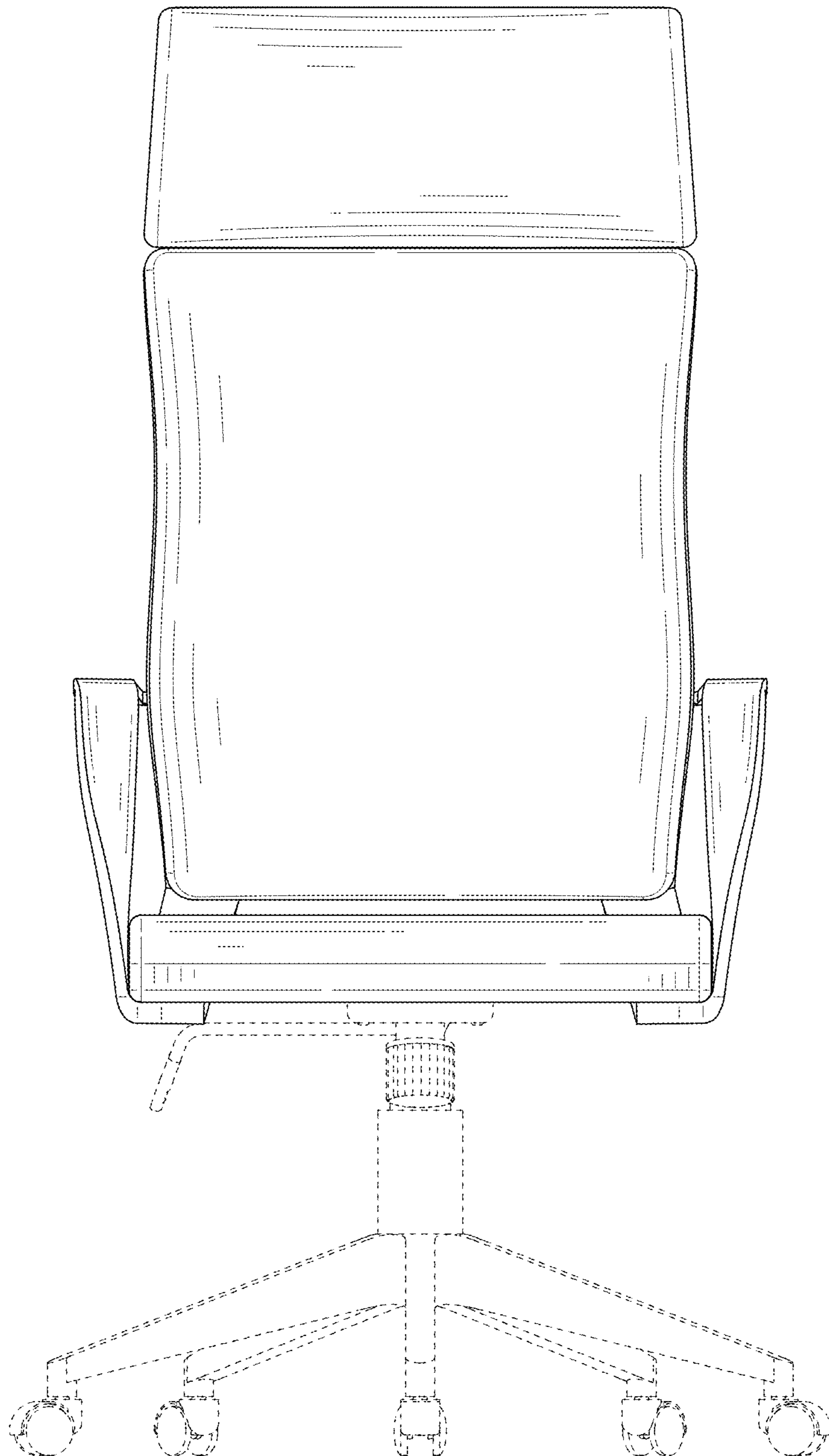


FIG. 3

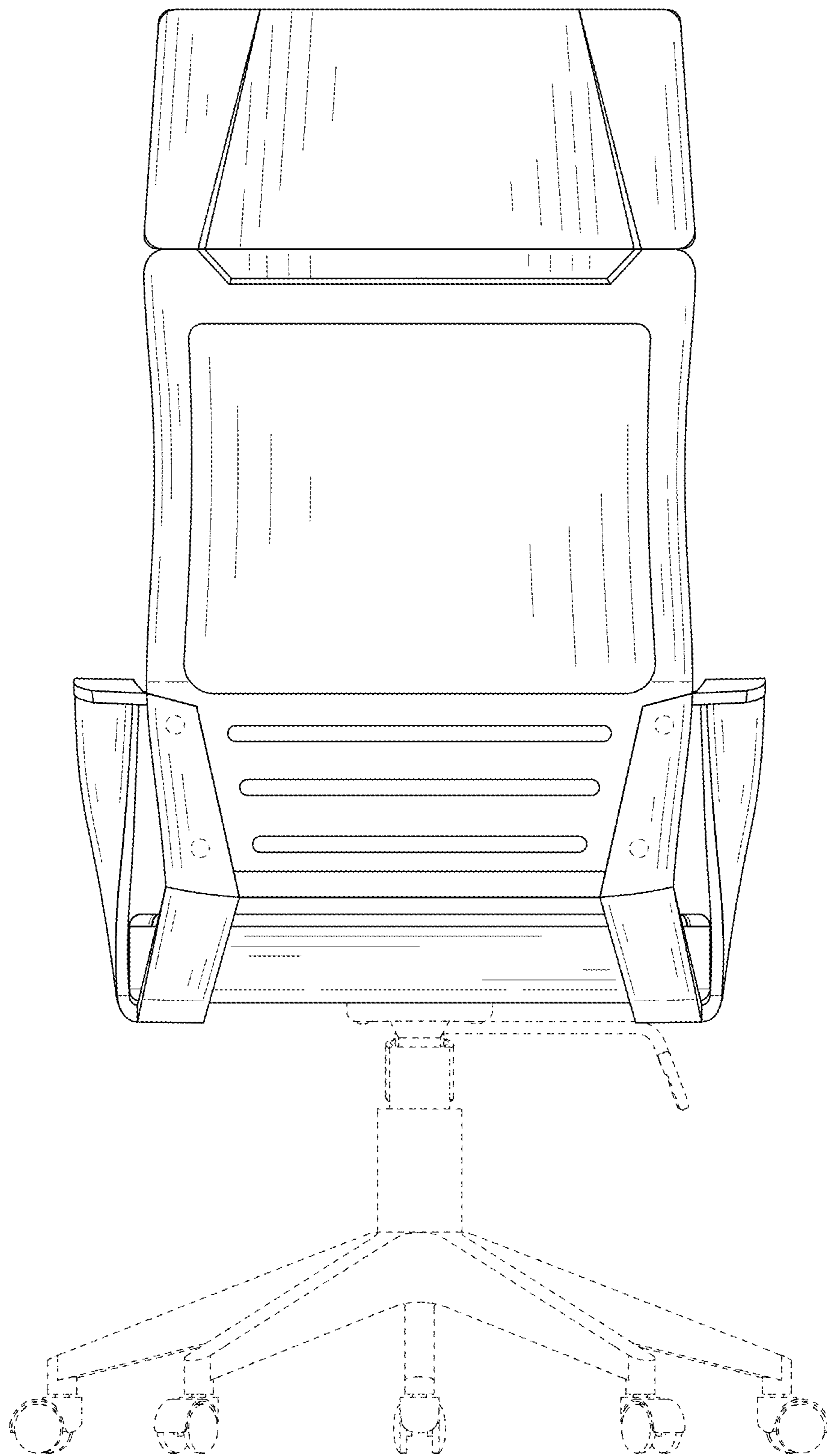


FIG. 4

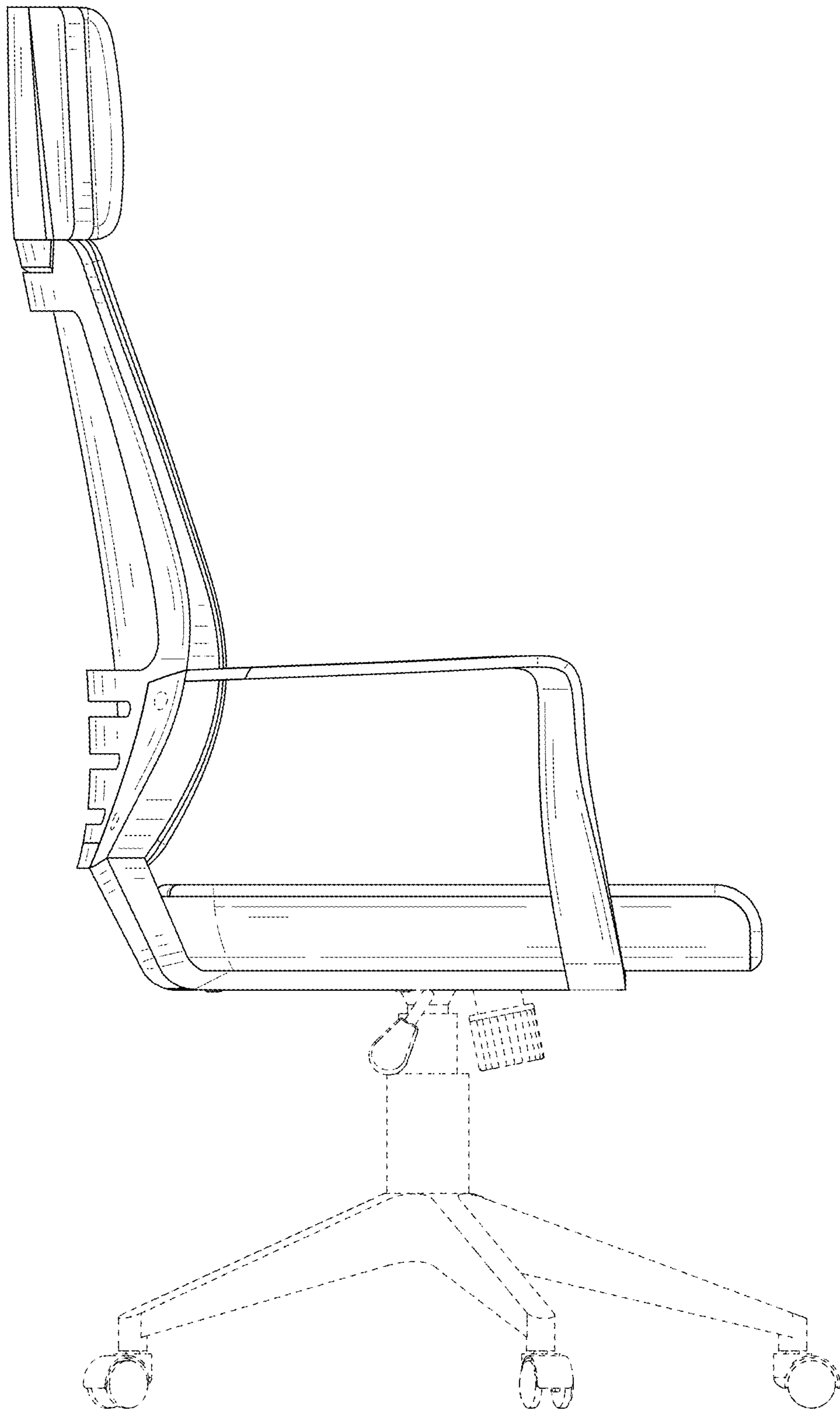


FIG. 5

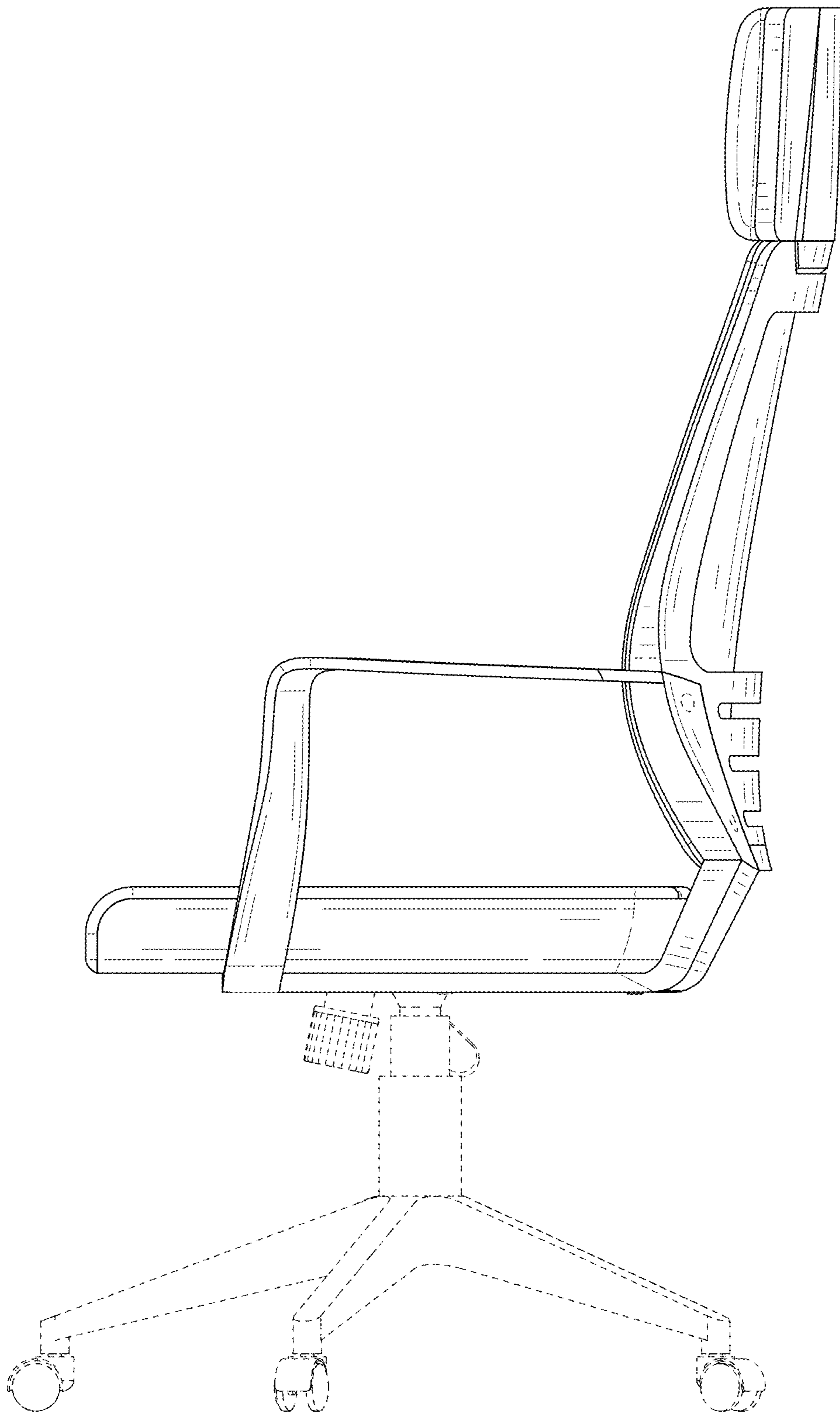


FIG. 6

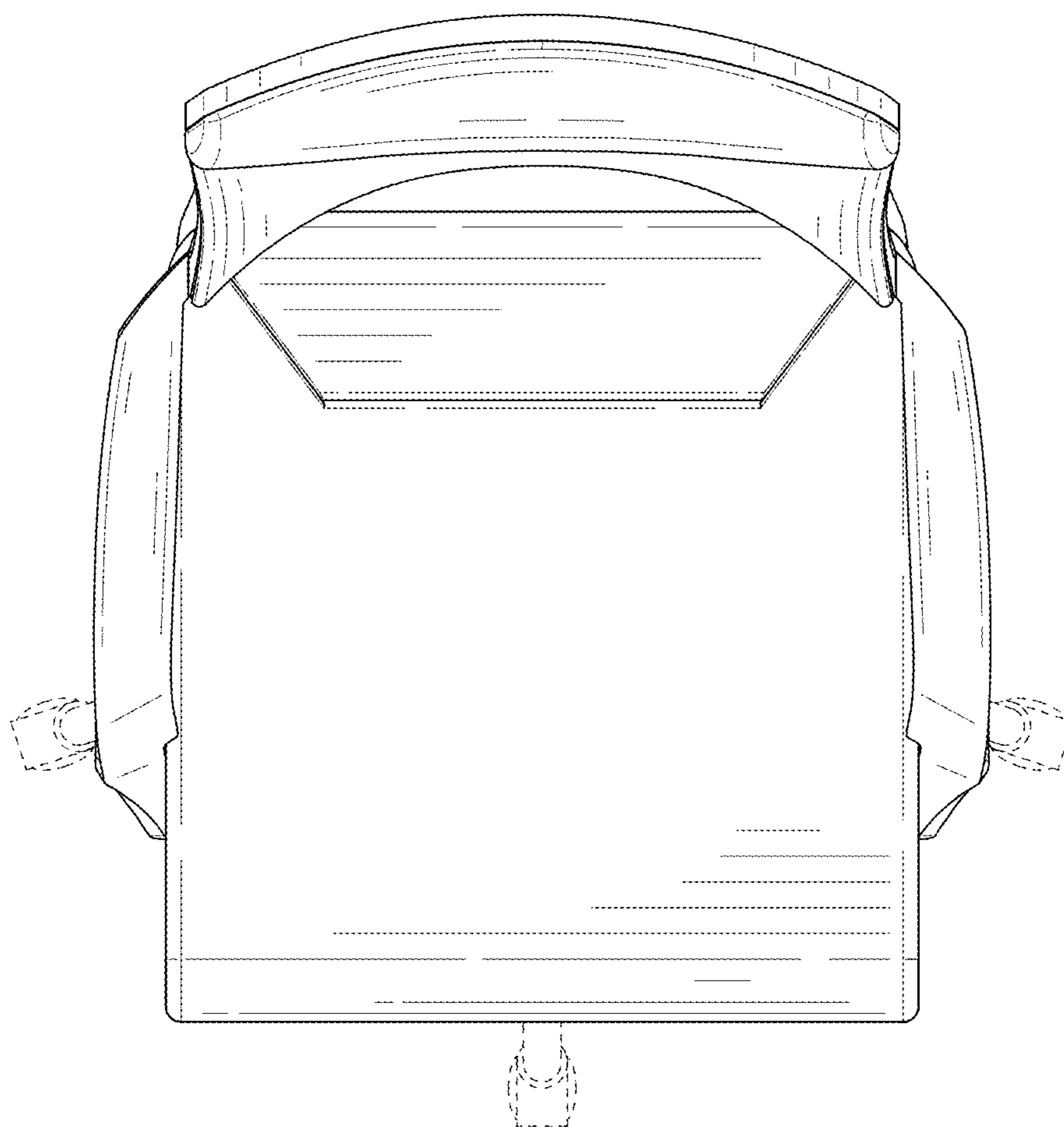


FIG. 7

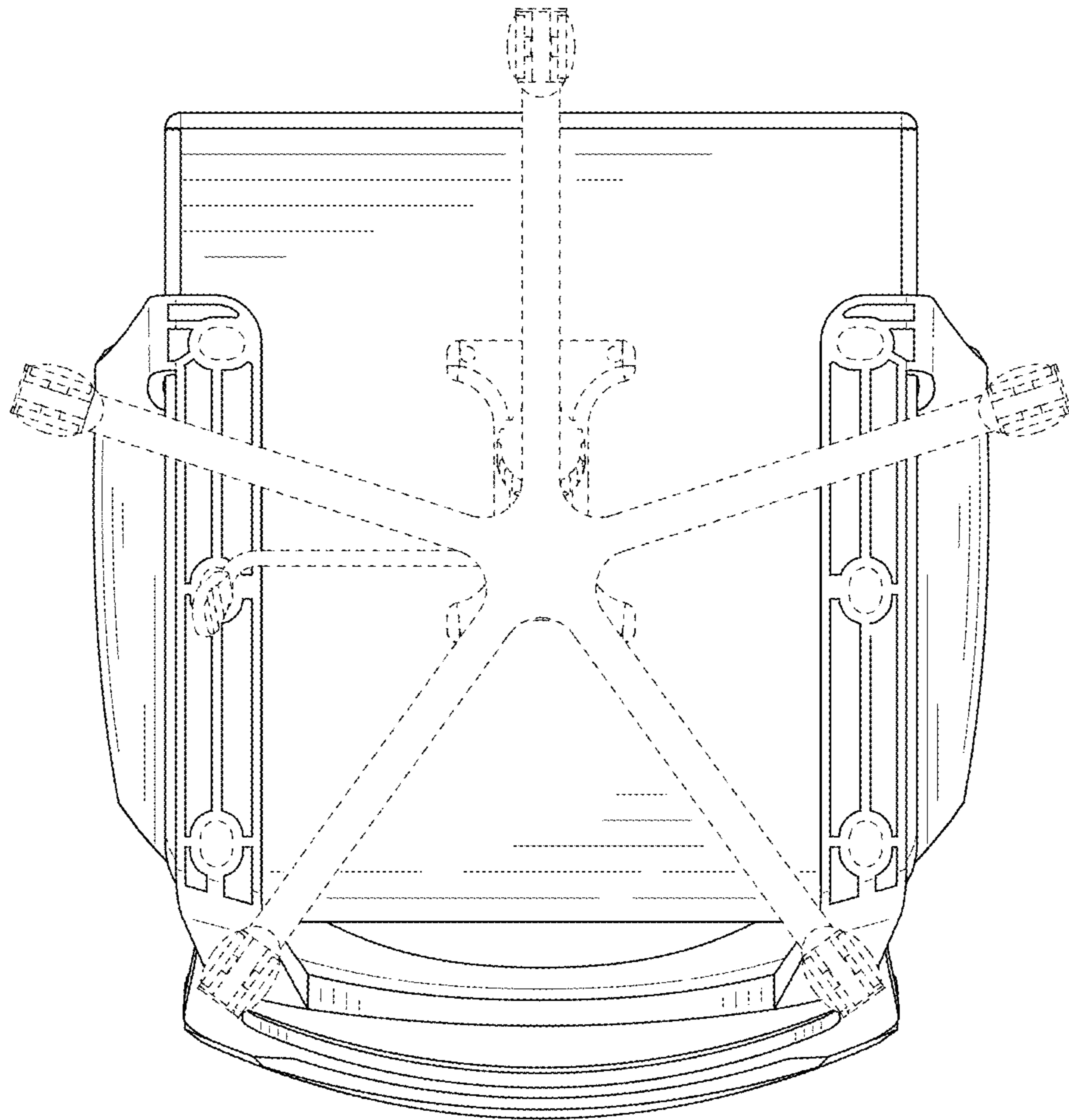


FIG. 8