



US00D942194S

(12) **United States Design Patent**  
**Petruccelli**

(10) **Patent No.:** **US D942,194 S**

(45) **Date of Patent:** **\*\* Feb. 1, 2022**

(54) **ROLLING STOOL WITH CURVED BACK SUPPORT**

(71) Applicant: **P.S. Pibbs, Inc.**, Flushing, NY (US)

(72) Inventor: **Giulio Petruccelli**, Flushing, NY (US)

(73) Assignee: **P.S. Pibbs, Inc.**, Flushing, NY (US)

(\*\*) Term: **15 Years**

(21) Appl. No.: **29/725,834**

(22) Filed: **Feb. 27, 2020**

(51) **LOC (13) Cl.** ..... **06-01**

(52) **U.S. Cl.**  
USPC ..... **D6/716**

(58) **Field of Classification Search**  
USPC ..... D6/334, 349, 360, 361, 364, 365, 366,  
D6/367, 375, 378, 379, 380  
CPC .. A47C 3/00; A47C 3/18; A47C 3/185; A47C  
3/20; A47C 1/00; A47C 1/02; A47C  
1/022; A47C 1/037; A47C 7/24; A47C  
7/36; A47C 7/46; A47C 7/18; A47C 7/50;  
A47C 13/005; A47C 15/002; A47C  
17/02; A47C 9/007  
See application file for complete search history.

(56) **References Cited**

**U.S. PATENT DOCUMENTS**

D179,036 S \* 10/1956 Rothstein ..... D6/334  
D195,257 S \* 5/1963 Andersen et al. .... D6/379  
D205,658 S \* 9/1966 Muller ..... D6/374  
D266,291 S \* 9/1982 Leffler ..... D6/352  
4,929,021 A \* 5/1990 Kaye ..... A47C 7/725  
108/150

D313,896 S \* 1/1991 Kaye ..... D6/360  
D395,758 S \* 7/1998 Hutton ..... D6/334  
D485,455 S \* 1/2004 Petruccelli ..... D6/364  
D574,643 S \* 8/2008 Petruccelli ..... D6/364  
D586,592 S \* 2/2009 Petruccelli ..... D6/716  
D661,134 S \* 6/2012 Petruccelli ..... D6/716  
D670,514 S \* 11/2012 Petruccelli ..... D6/716  
D673,787 S \* 1/2013 Bartlmae ..... D6/380  
D861,366 S \* 10/2019 Jahns ..... D6/364  
D866,215 S \* 11/2019 Lenhart ..... D6/380  
D871,792 S \* 1/2020 Citterio ..... D6/380  
D903,362 S \* 12/2020 Jones ..... D6/380  
2007/0001501 A1 \* 1/2007 Rassouliau ..... A47C 7/543  
297/411.2

\* cited by examiner

*Primary Examiner* — R. Johnson

(74) *Attorney, Agent, or Firm* — Gerald E. Hespos;  
Michael J. Porco; Matthew T. Hespos

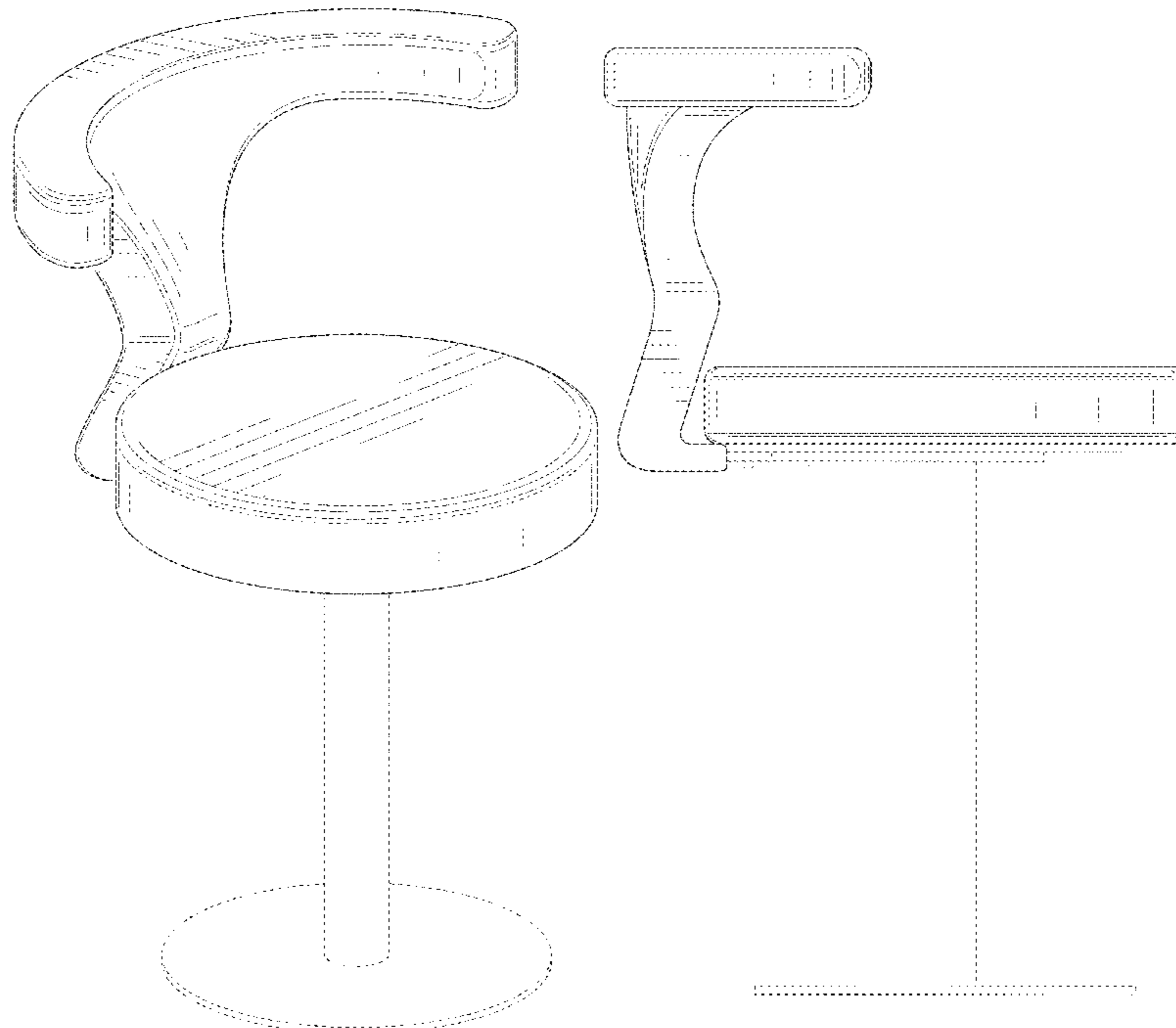
(57) **CLAIM**

The ornamental design for a rolling stool with curved back support, as shown and described.

**DESCRIPTION**

FIG. 1 is a perspective view of a rolling stool with curved back support in accordance with my design;  
FIG. 2 is a front elevational view of the rolling stool with curved back support of FIG. 1;  
FIG. 3 is a rear elevational view thereof;  
FIG. 4 is a left side elevational view thereof;  
FIG. 5 is a right side elevational view thereof;  
FIG. 6 is a top plan view thereof; and,  
FIG. 7 is a bottom plan view thereof.  
The broken lines represent portions of the structure that form no part of the claimed design.

**1 Claim, 7 Drawing Sheets**



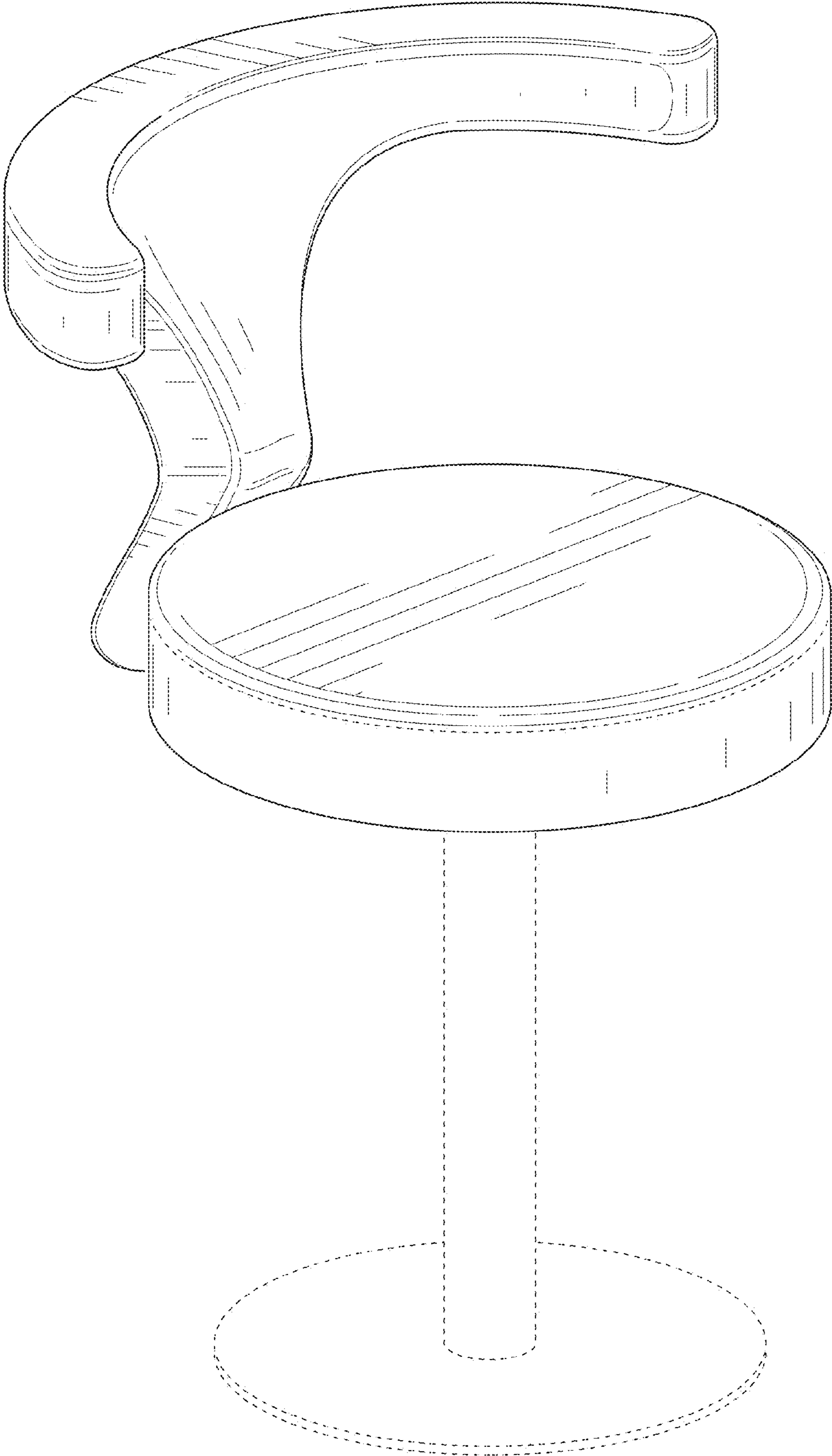


FIG. 1

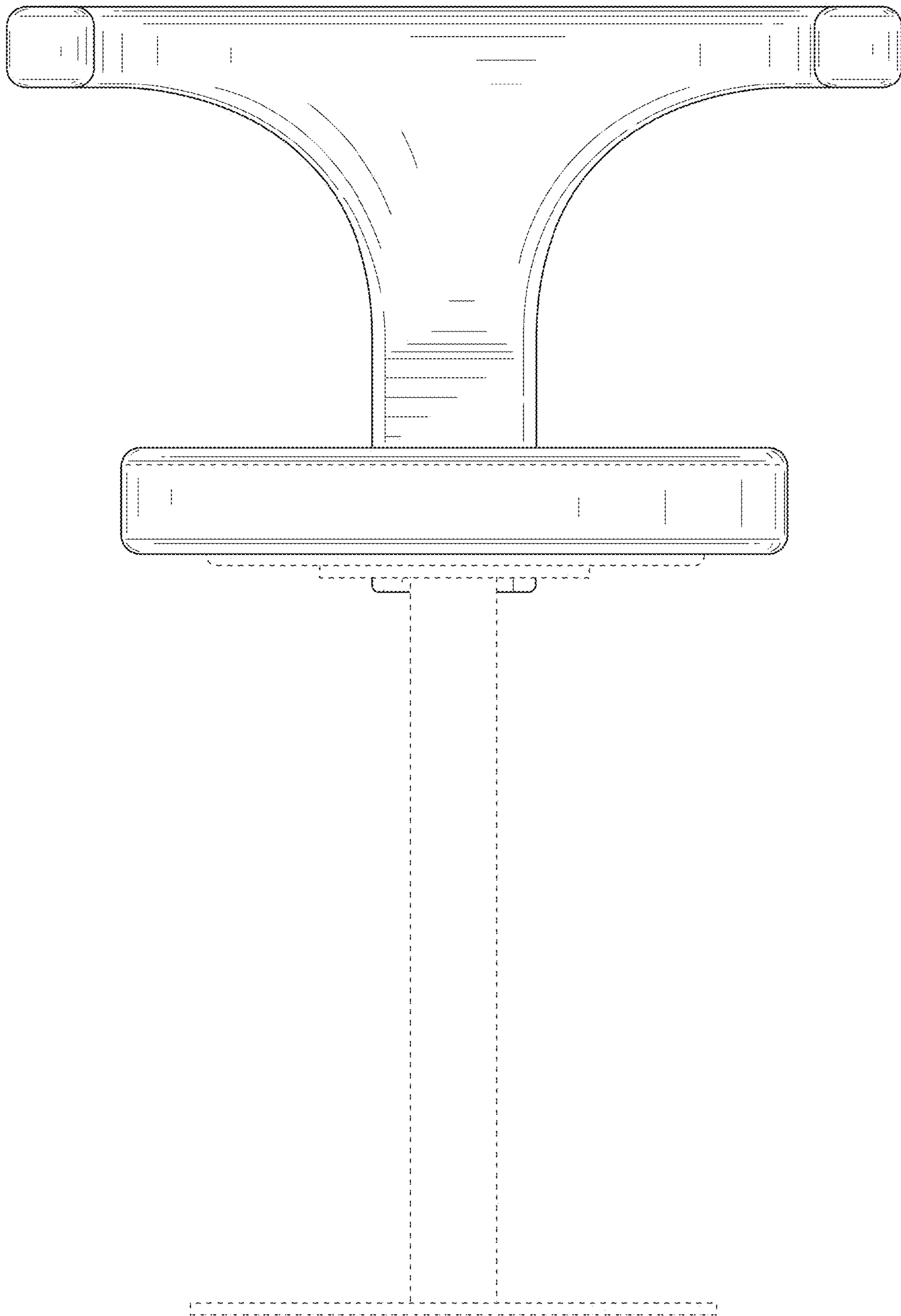


FIG. 2

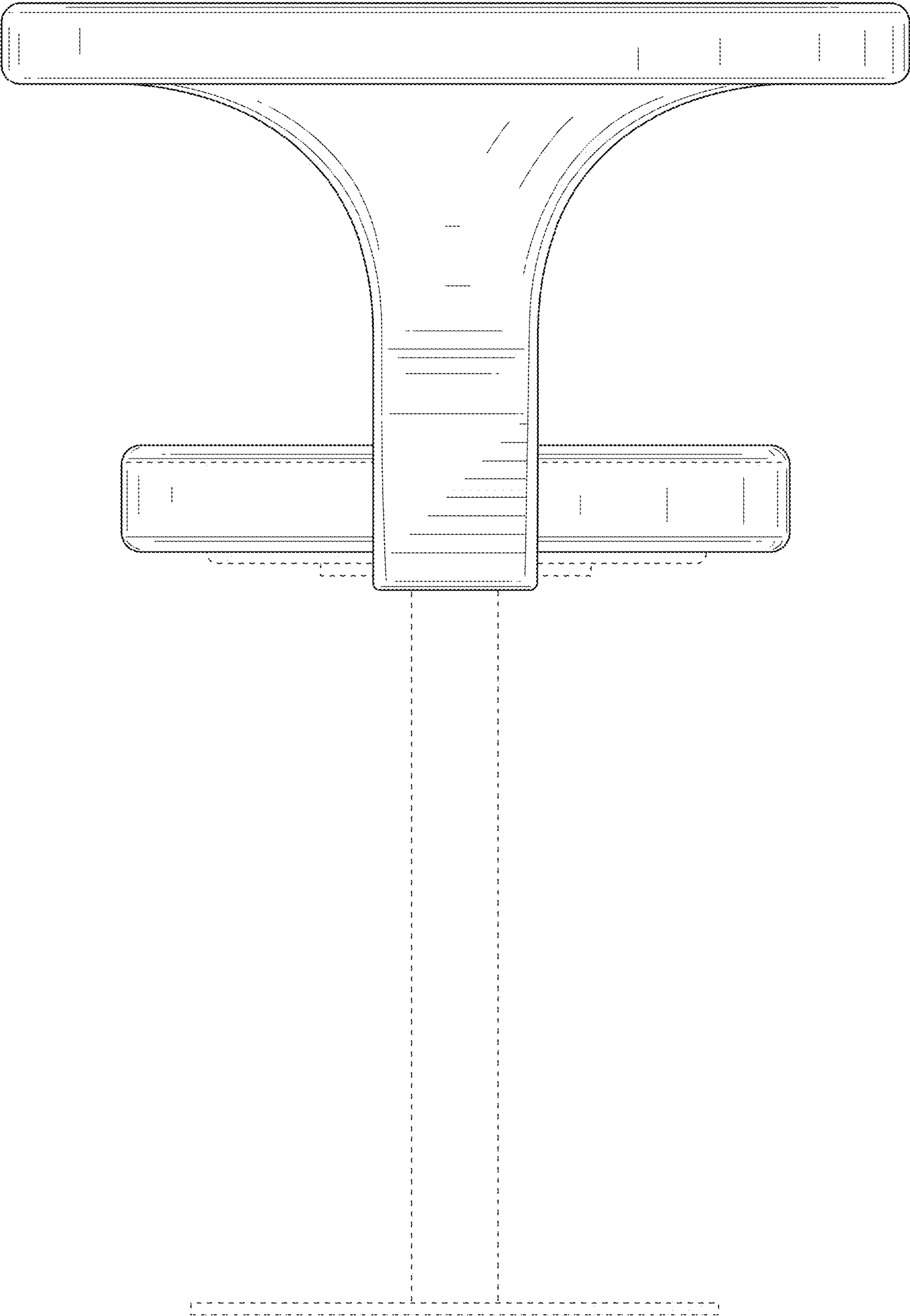


FIG. 3

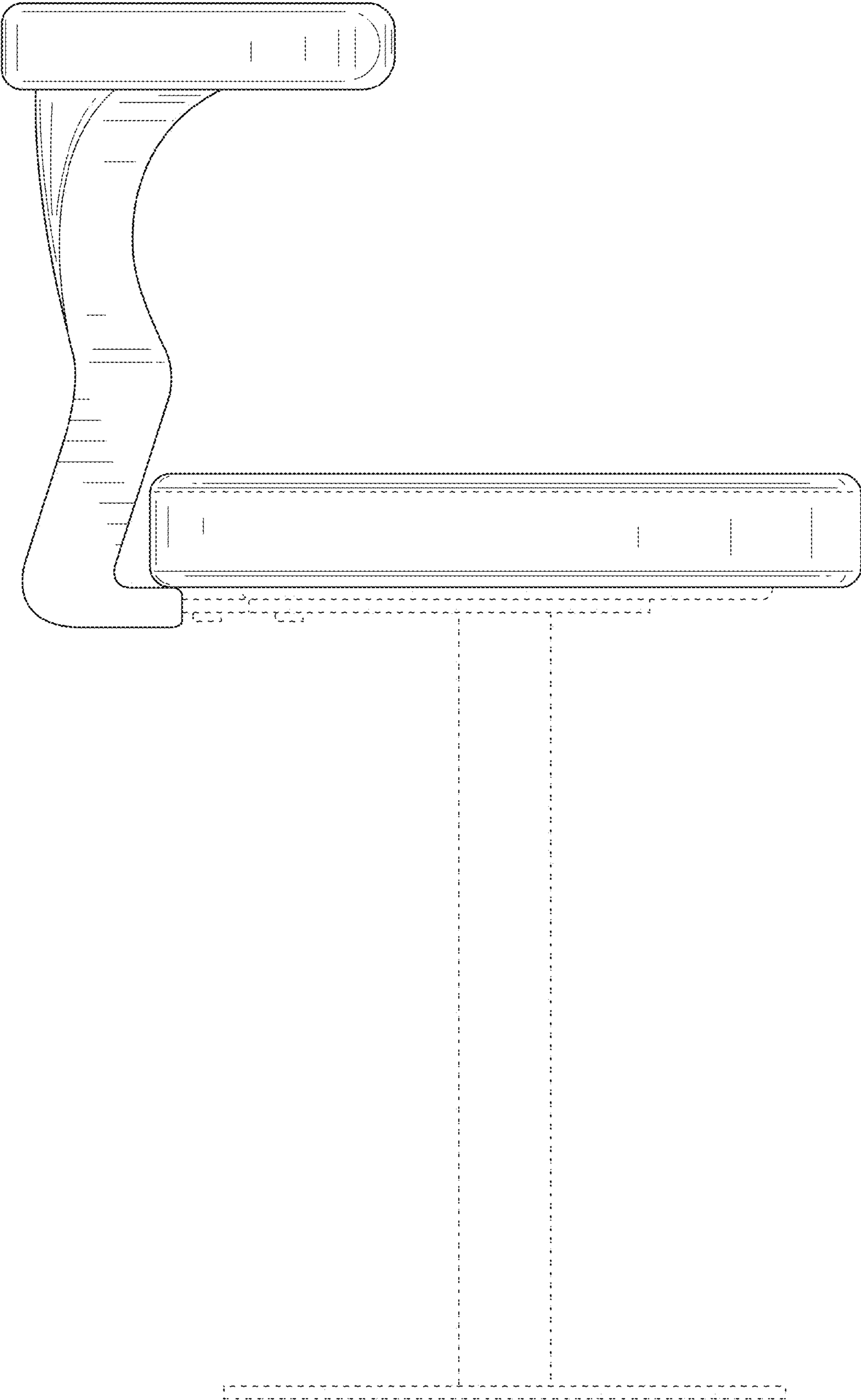


FIG. 4

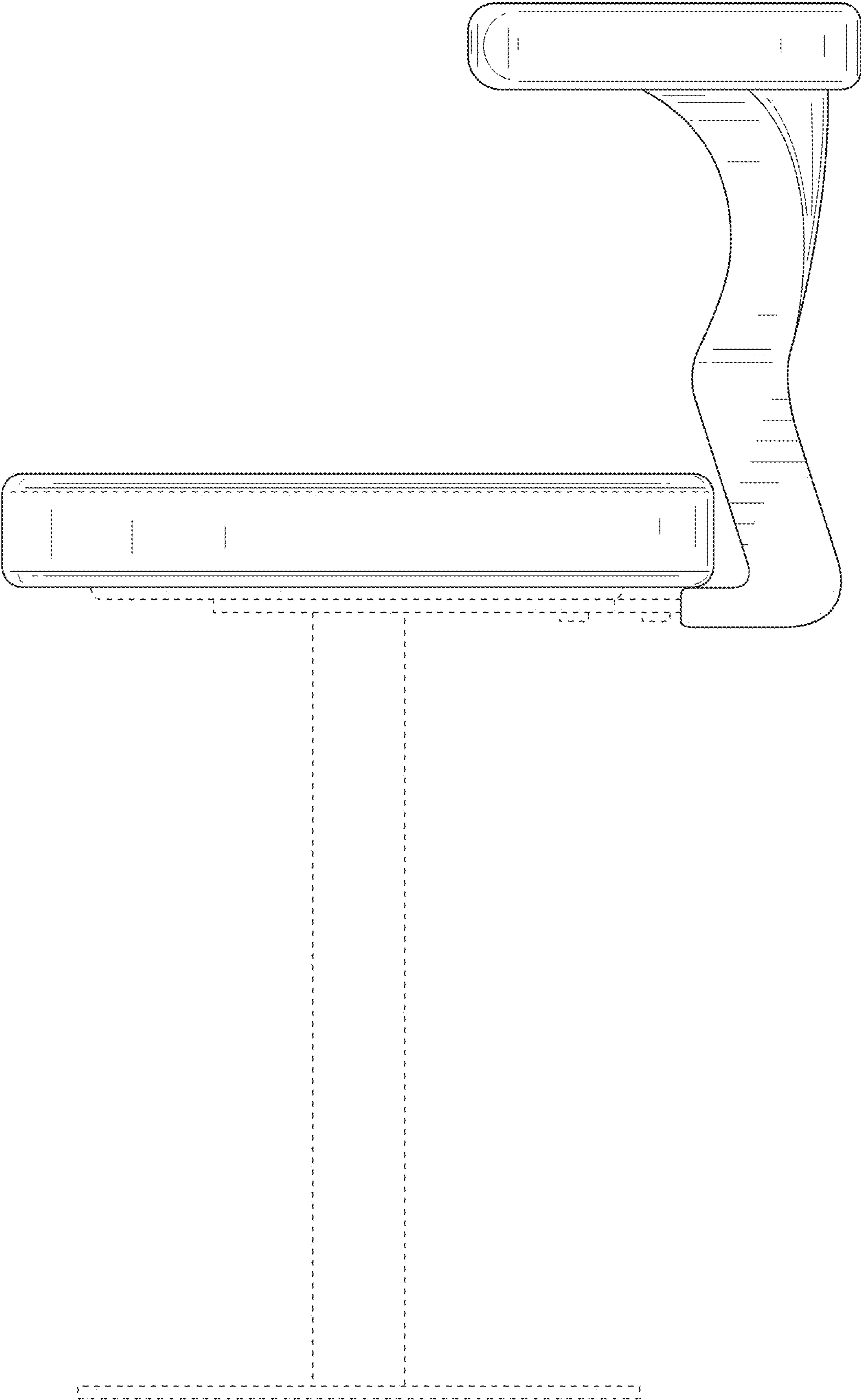


FIG. 5

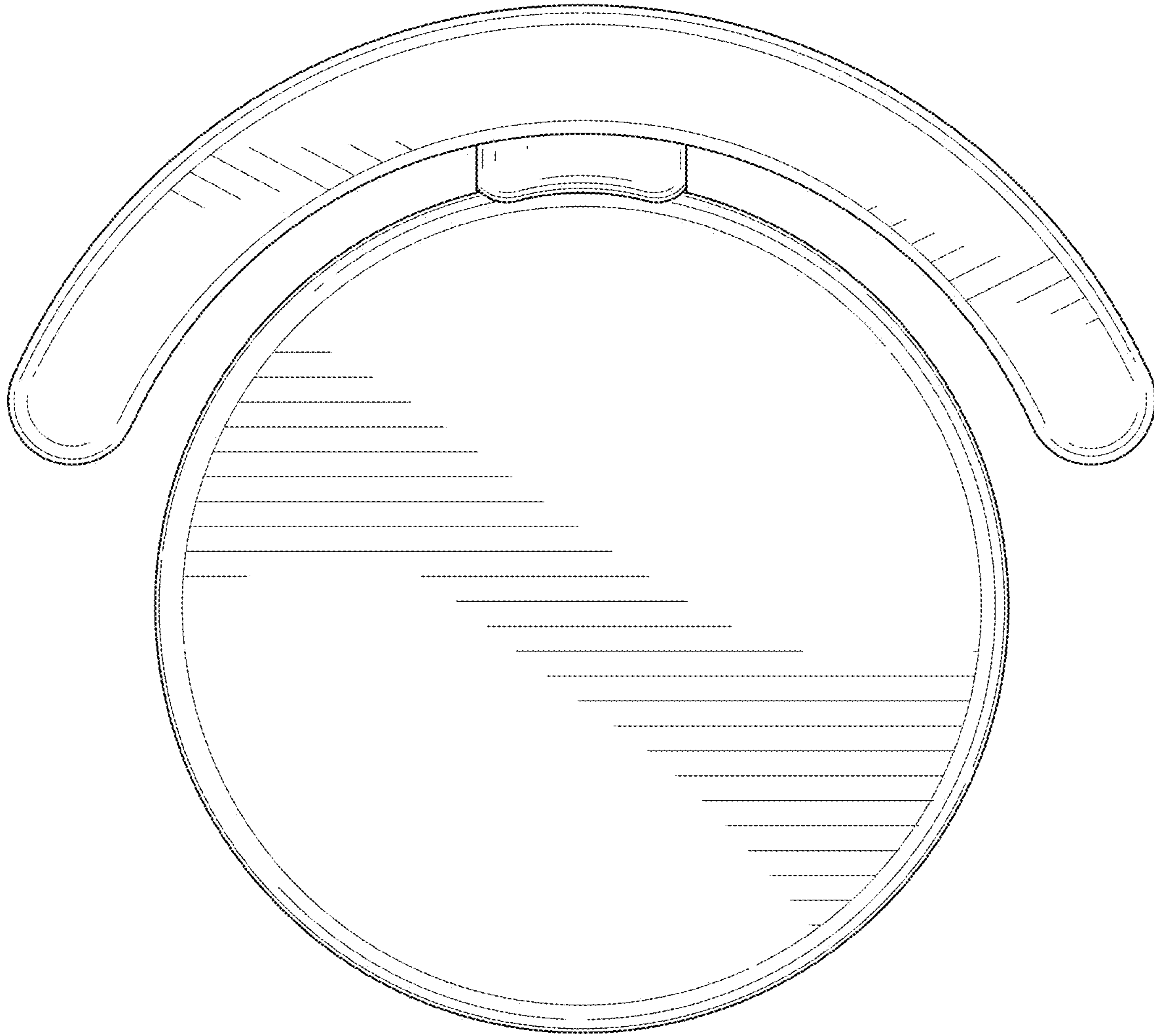


FIG. 6

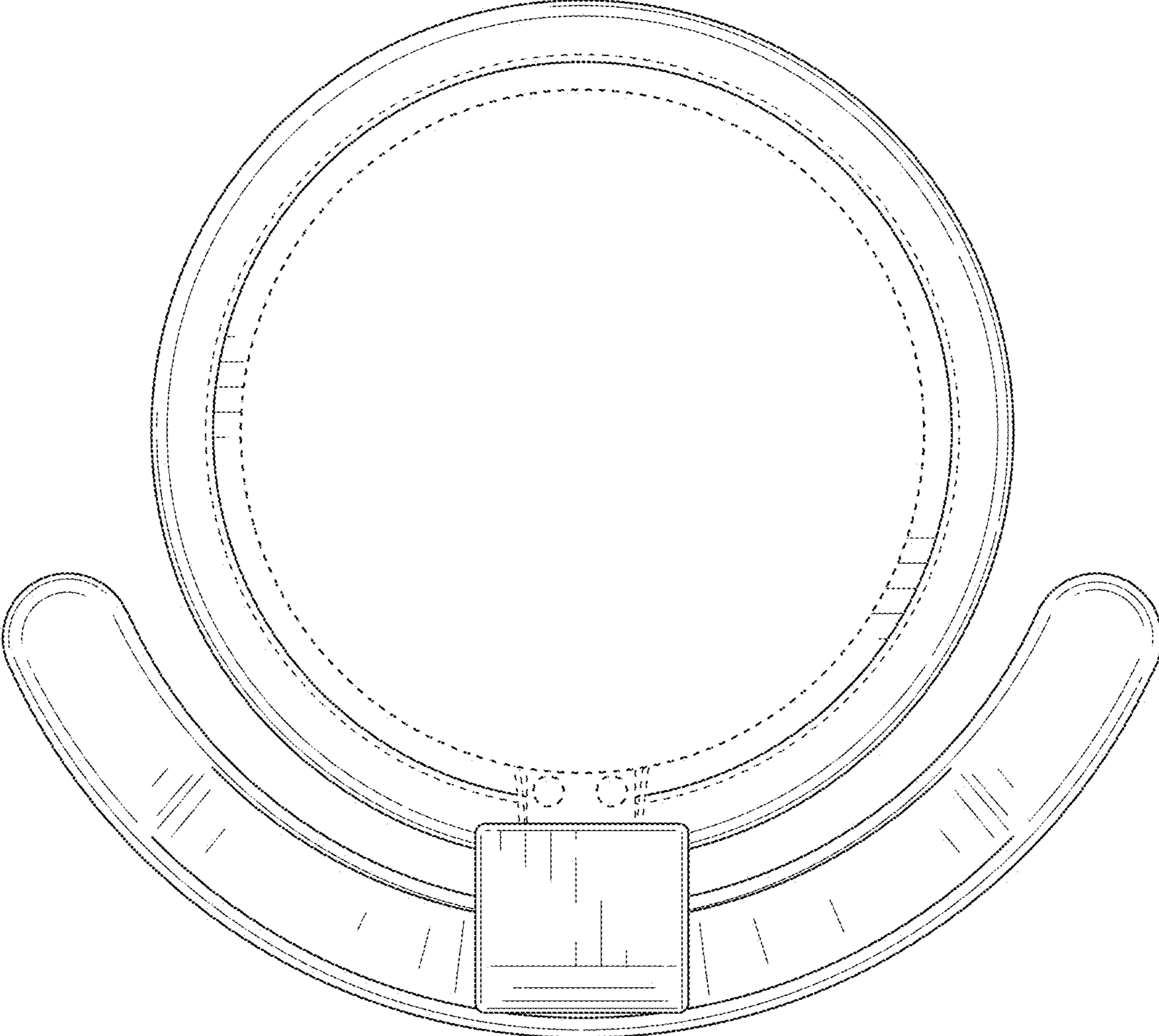


FIG. 7