



US00D942193S

(12) **United States Design Patent** (10) **Patent No.:** **US D942,193 S**  
**Sokol et al.** (45) **Date of Patent:** **\*\* Feb. 1, 2022**

(54) **TABLE TOP**

(71) Applicant: **Seville Classics Inc.**, Torrance, CA (US)

(72) Inventors: **James Sokol**, Brea, CA (US); **Martin Carillo Avila**, Santa Clarita, CA (US); **Huang-Shao Hsu**, El Monte, CA (US)

(73) Assignee: **Seville Classics Inc.**, Torrance, CA (US)

(\*\*) Term: **15 Years**

(21) Appl. No.: **29/711,823**

(22) Filed: **Nov. 3, 2019**

(51) **LOC (13) Cl.** ..... **06-06**

(52) **U.S. Cl.**  
USPC ..... **D6/707.19**

(58) **Field of Classification Search**  
USPC .... D6/641, 642, 656, 656.1, 656.12–656.19, D6/685, 686, 691, 691.19, 691.9, 702, D6/705, 707, 707.19, 707.24  
CPC .. A47B 7/00; A47B 9/00; A47B 13/00; A47B 13/02; A47B 13/04; A47B 13/06; A47B 13/08; A47B 13/01; A47B 13/012; A47B 19/00; A47B 21/00; A47B 2200/0001  
See application file for complete search history.

(56) **References Cited**

U.S. PATENT DOCUMENTS

D113,459 S \* 2/1939 Haag ..... D6/656.1  
D153,743 S \* 5/1949 Zolot ..... D6/691.6  
D284,630 S \* 7/1986 Ferdinand ..... D6/705  
D399,684 S \* 10/1998 Glass ..... D6/647  
D493,545 S \* 7/2004 Lancia ..... B65D 11/24  
D25/138  
D725,411 S \* 3/2015 Jannetides ..... D6/663

D743,196 S \* 11/2015 Zamora ..... D6/707.19  
D903,390 S \* 12/2020 Leng ..... D6/707.19  
2006/0230989 A1\* 10/2006 Haney ..... B65D 11/24  
108/57.25

OTHER PUBLICATIONS

Seville Classics airLIFT 48" Tempered Glass Electric Sit-Stand Desk—Sams Club <https://www.samsclub.com/p/seville-classics-airlift-electric-glass-desk-height-adj-desk/prod25330422> retrieved from the internet on Oct. 22, 2021.\*

\* cited by examiner

Primary Examiner — Mary Ann Calabrese

(74) Attorney, Agent, or Firm — Raymond Sun

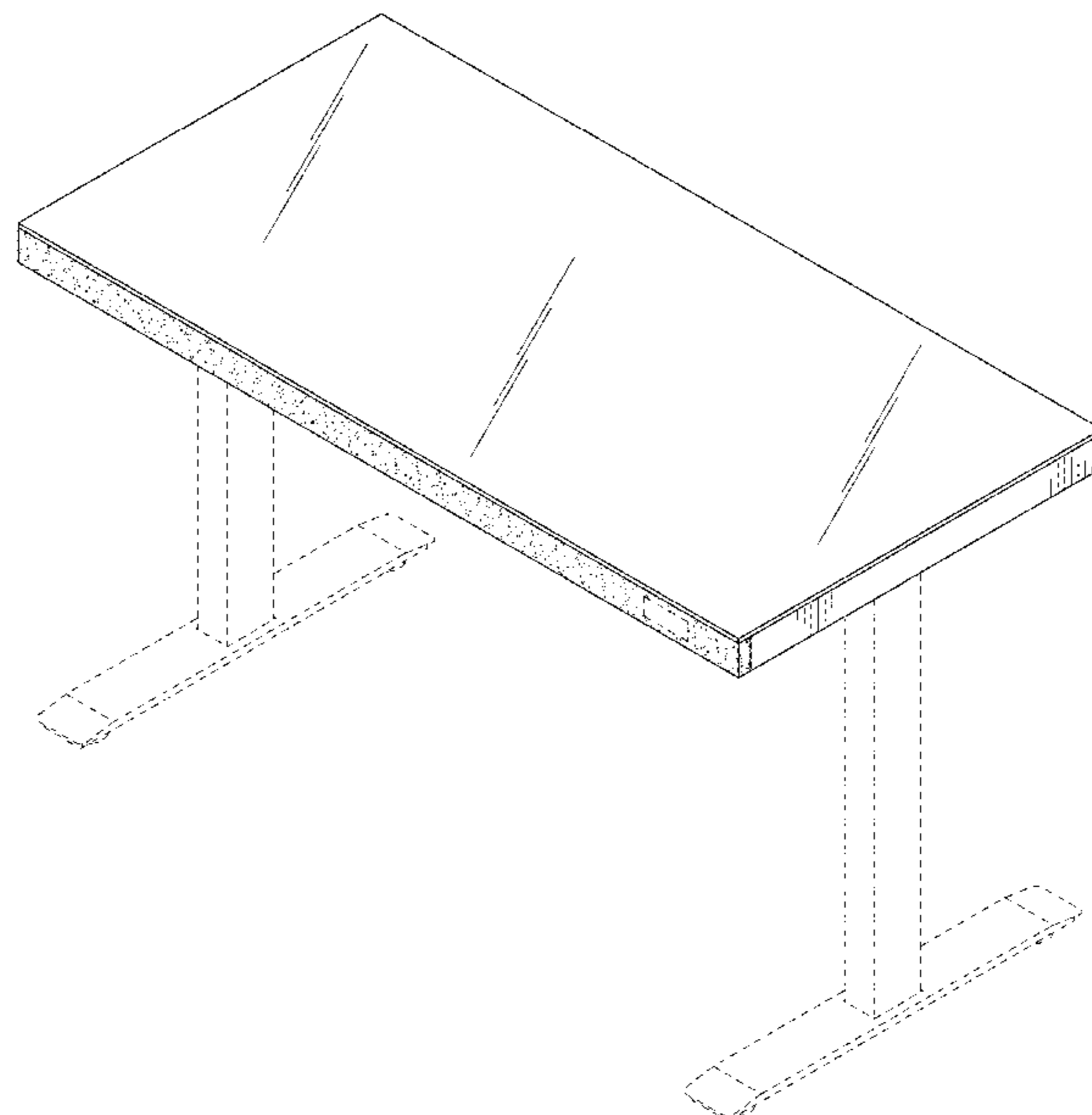
(57) **CLAIM**

The ornamental design for a table top, as shown and described.

**DESCRIPTION**

FIG. 1 is a top perspective view of a table top according to a first embodiment;  
FIG. 2 is a front view thereof;  
FIG. 3 is a rear view thereof;  
FIG. 4 is a left view thereof;  
FIG. 5 is a right view thereof;  
FIG. 6 is a top view thereof;  
FIG. 7 is a bottom view thereof;  
FIG. 8 is a top perspective view of a table top according to a second embodiment;  
FIG. 9 is a front view of the table top of FIG. 8;  
FIG. 10 is a rear view of the table top of FIG. 8;  
FIG. 11 is a left view of the table top of FIG. 8;  
FIG. 12 is a right view of the table top of FIG. 8;  
FIG. 13 is a top view of the table top of FIG. 8; and,  
FIG. 14 is a bottom view of the table top of FIG. 8.  
The broken lines shown in the figures represent portions of the table top that form no part of the claimed design.

**1 Claim, 14 Drawing Sheets**



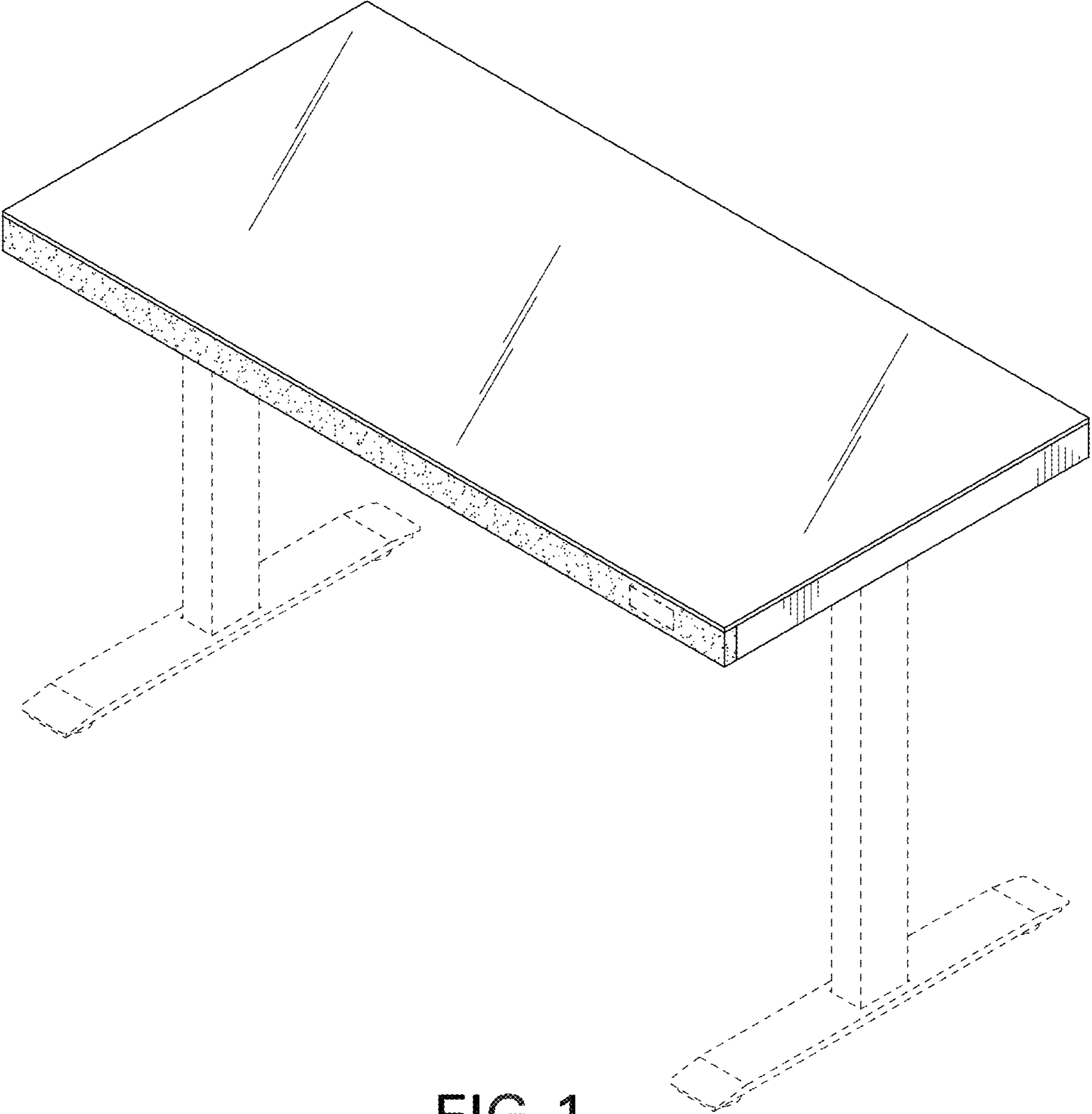


FIG. 1

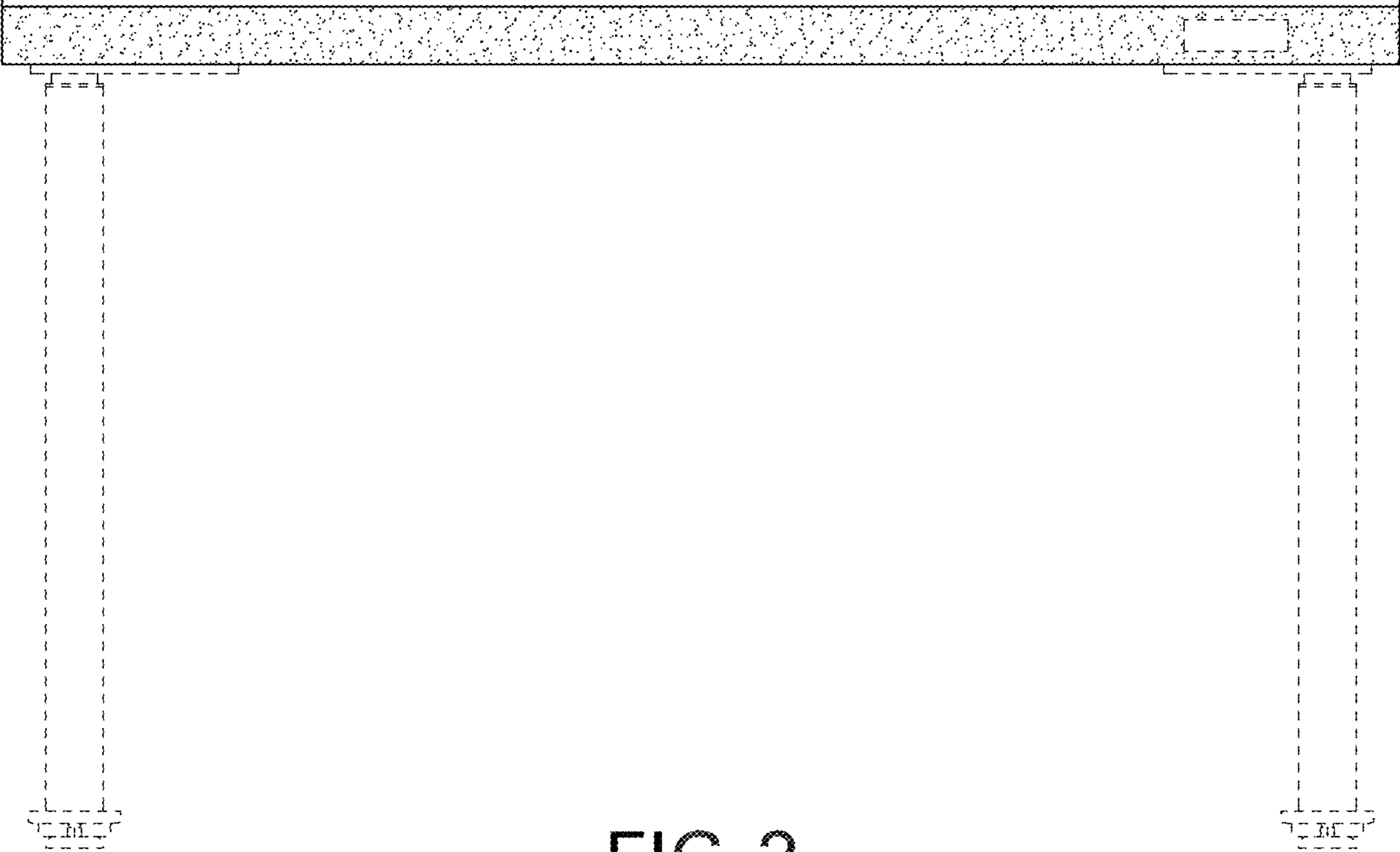


FIG. 2

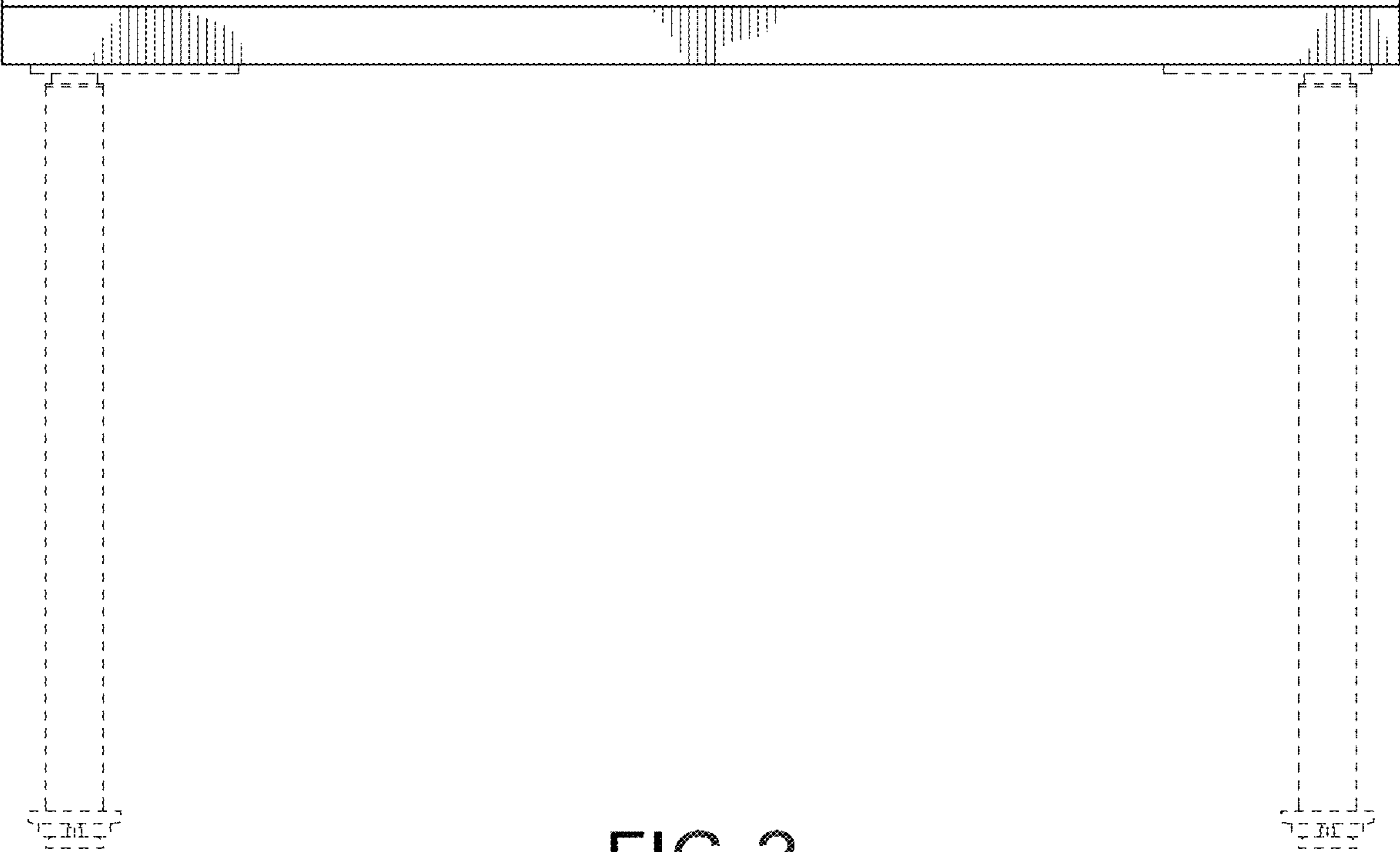


FIG. 3

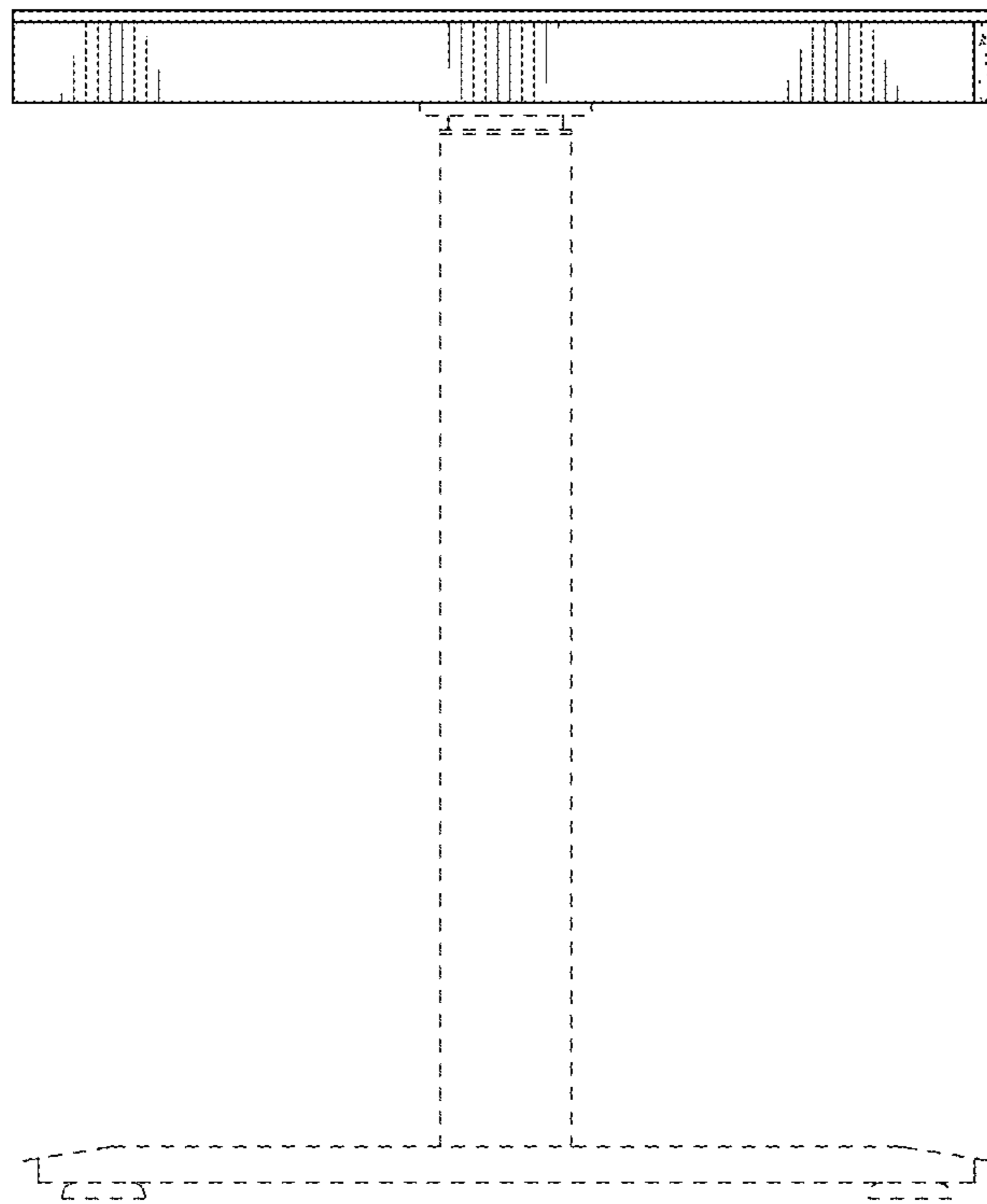


FIG. 4

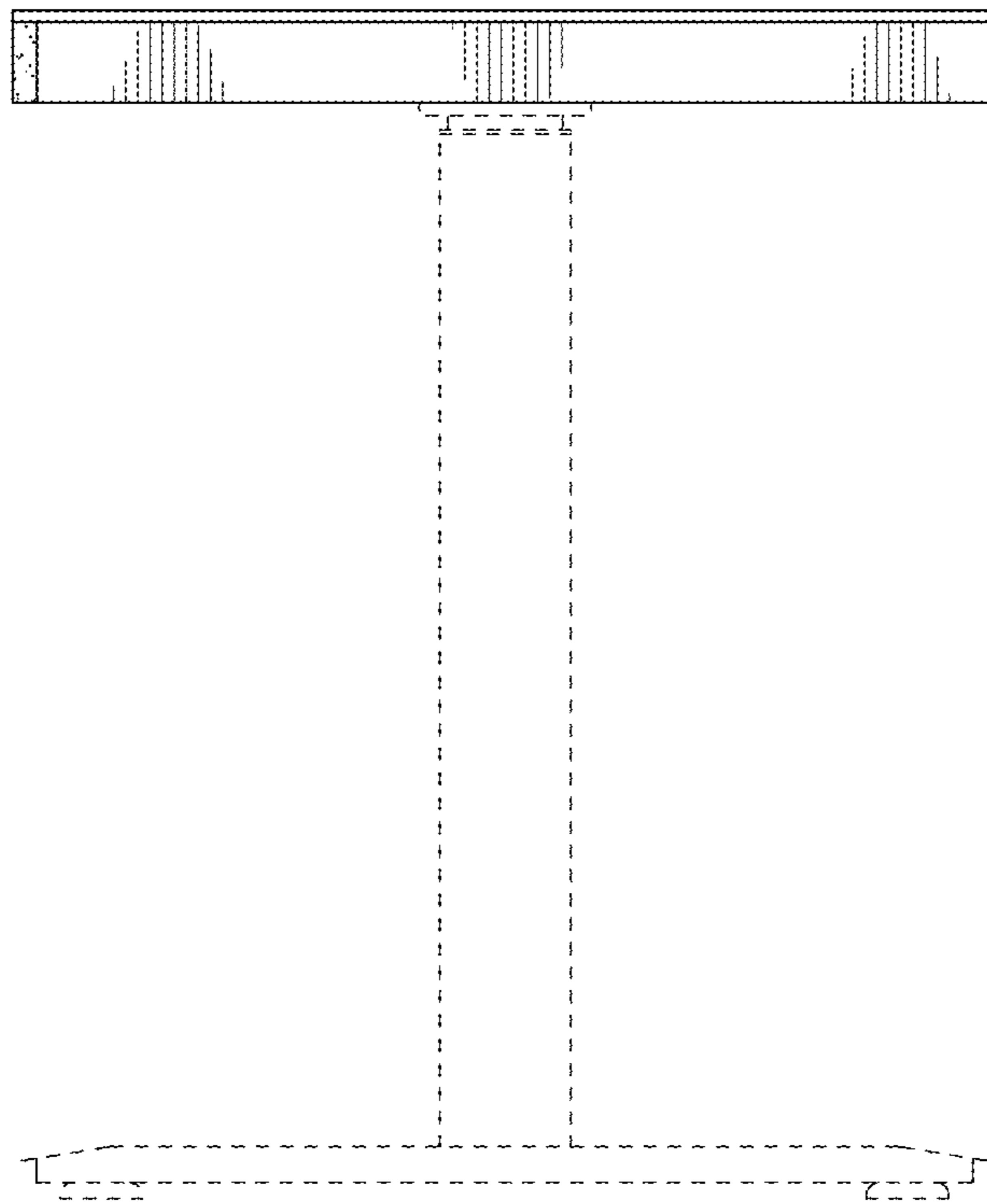


FIG. 5

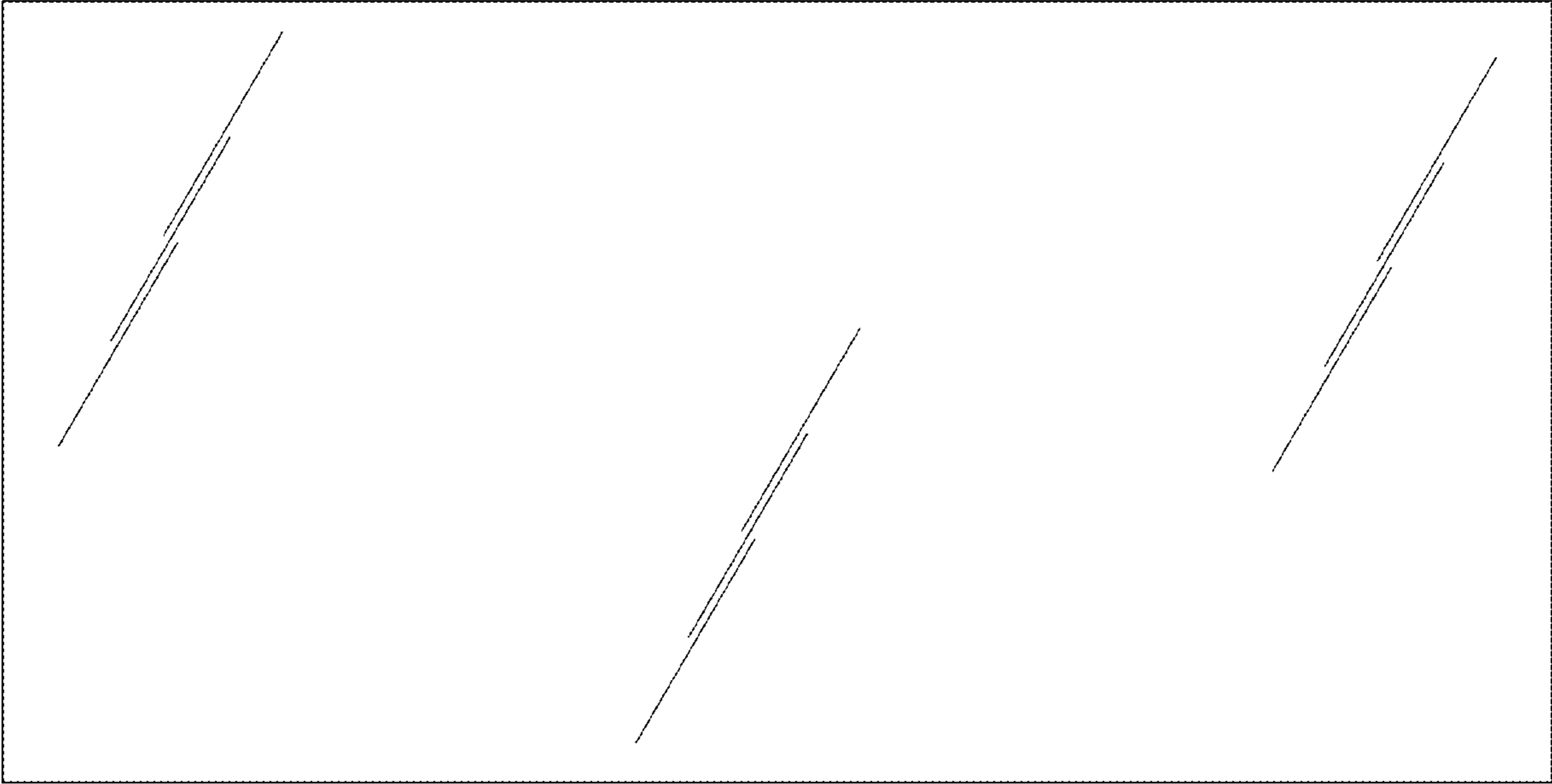


FIG.6

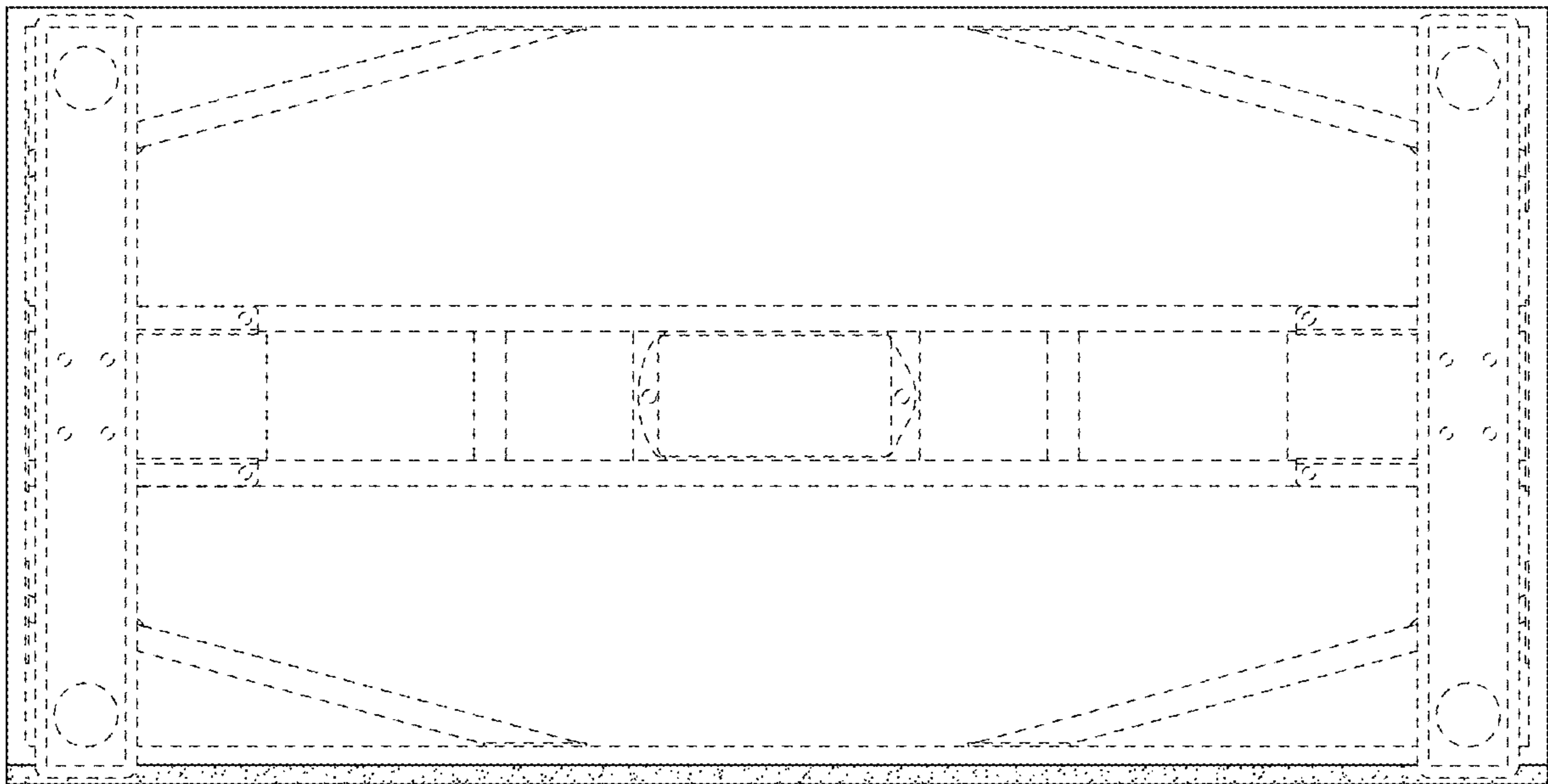


FIG. 7



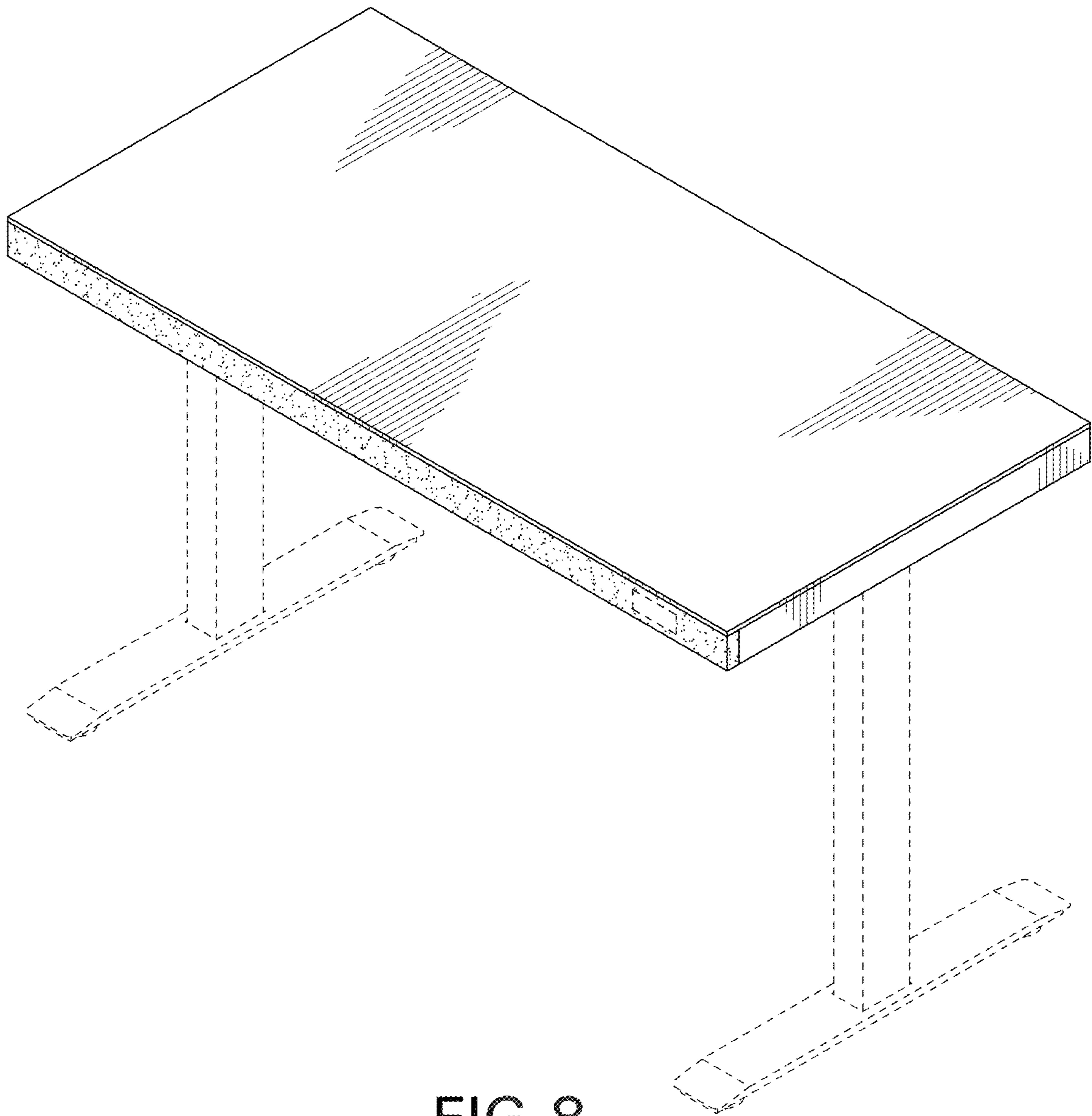


FIG. 8

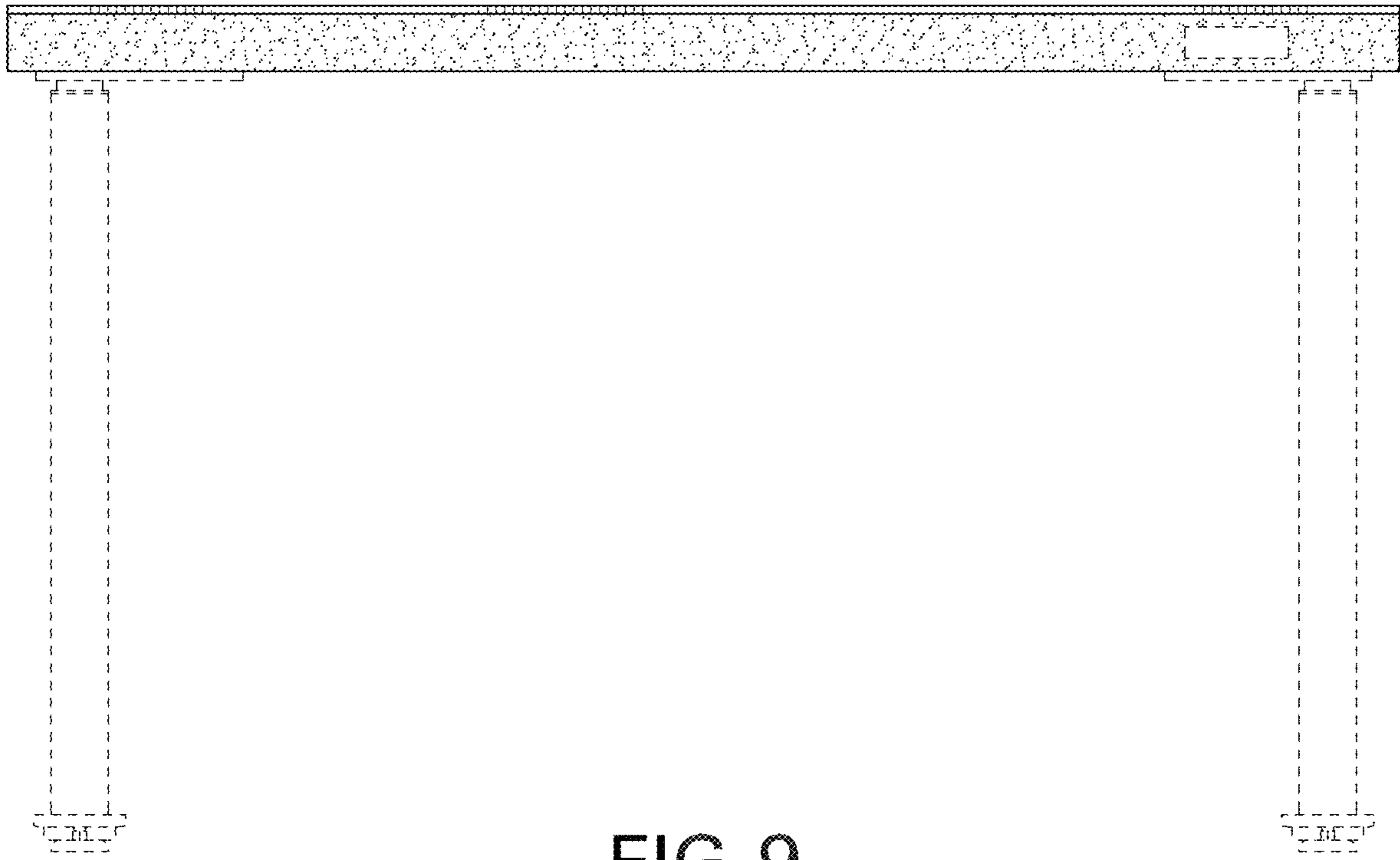


FIG. 9

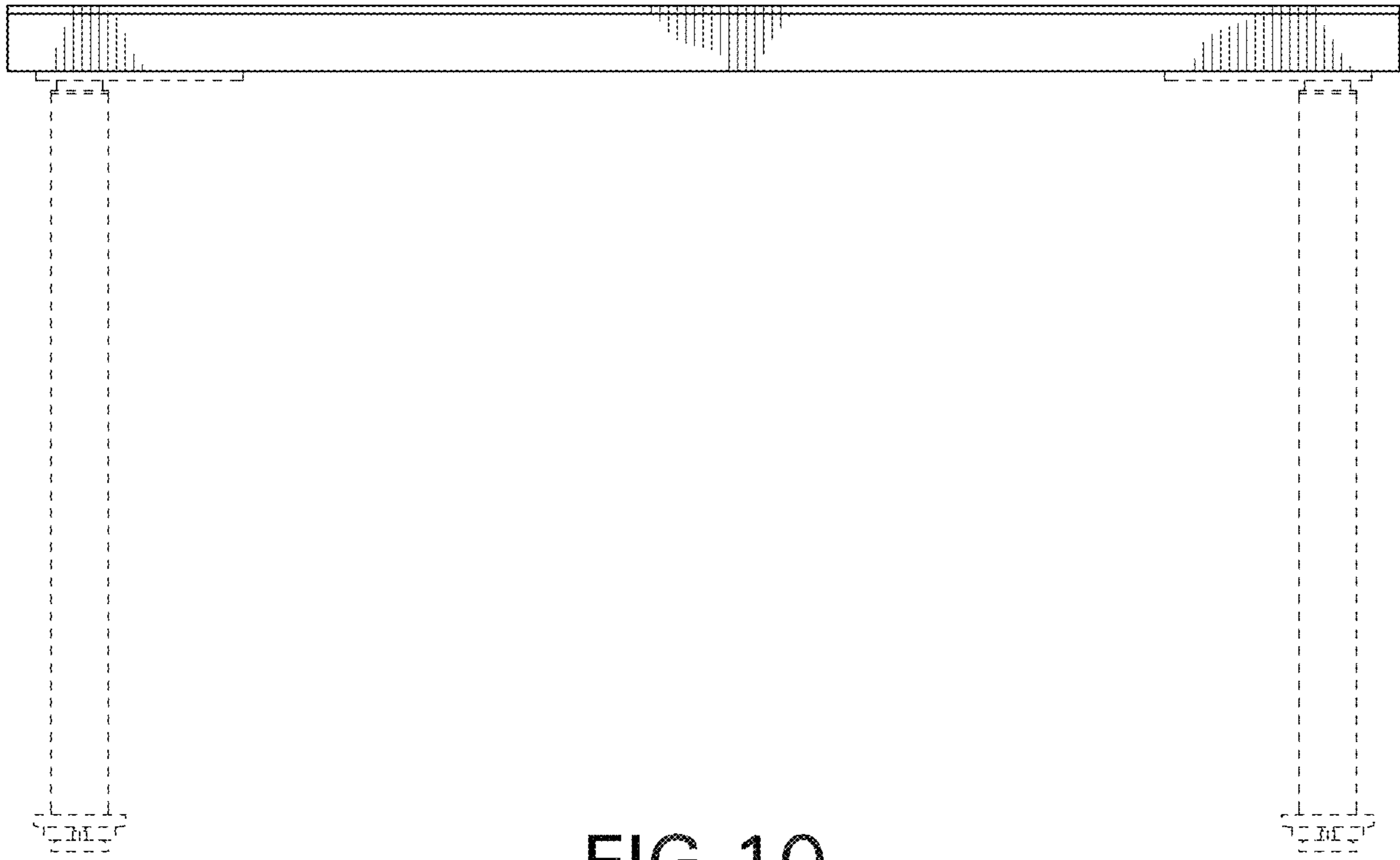


FIG. 10

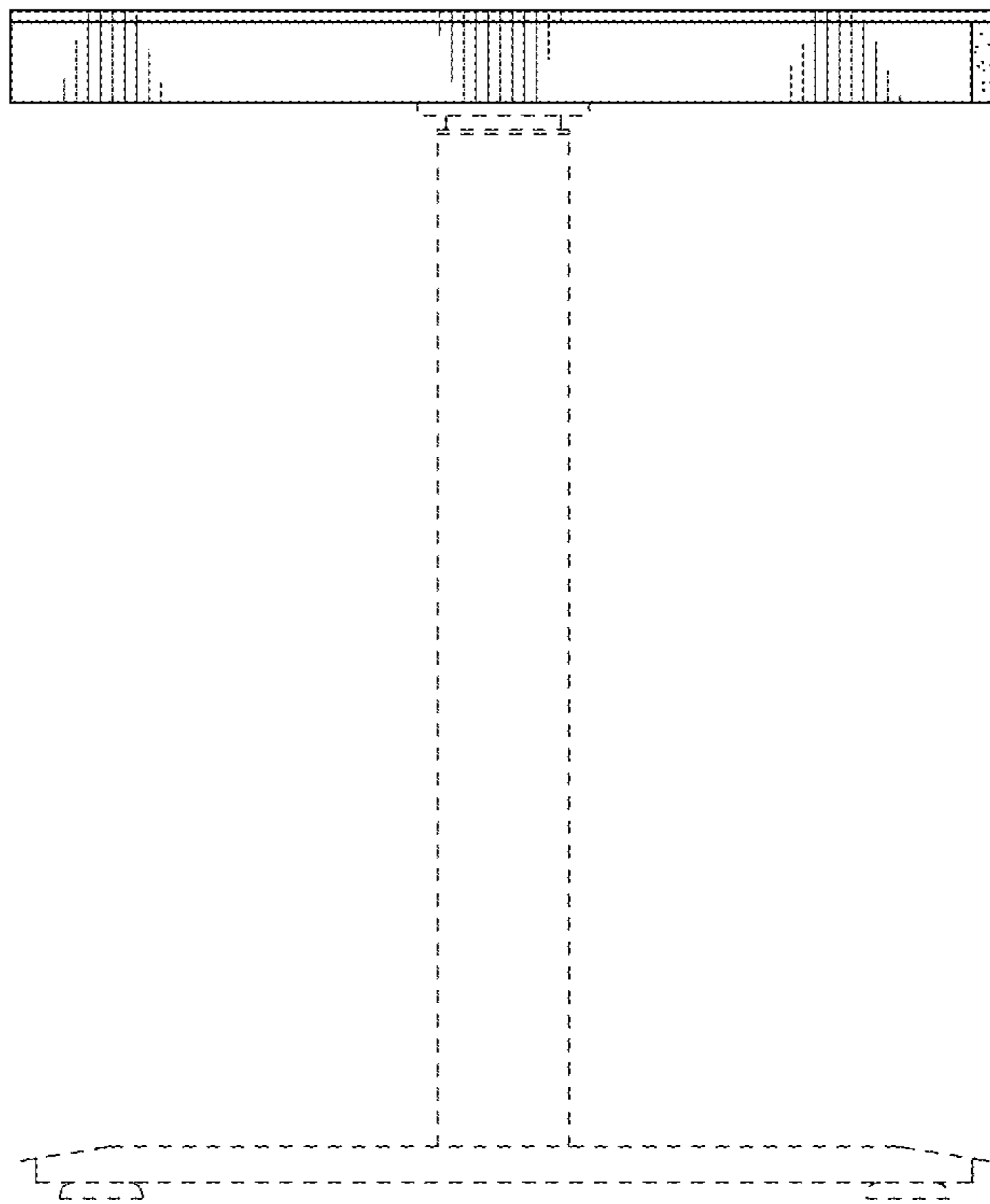


FIG. 11

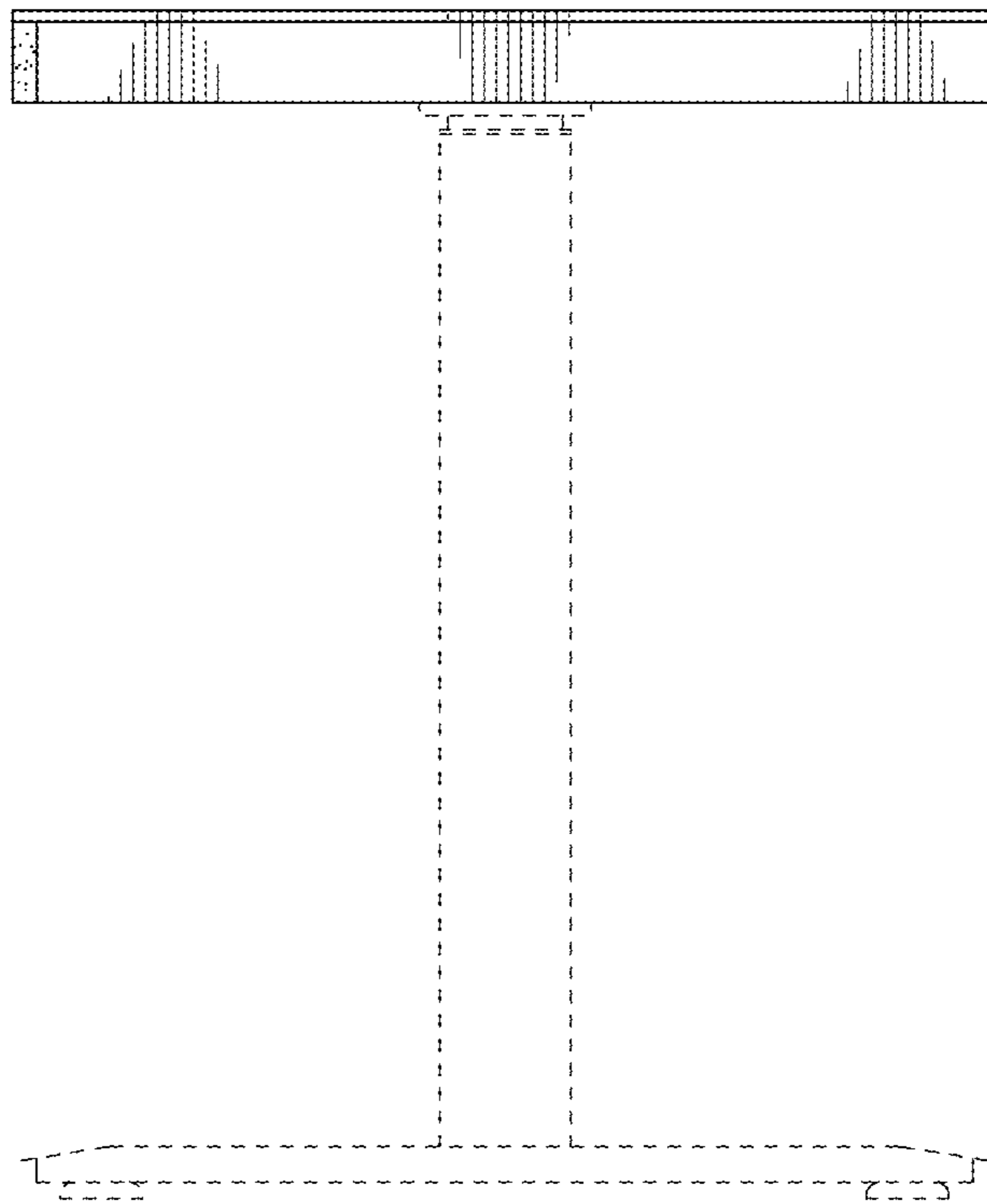


FIG. 12

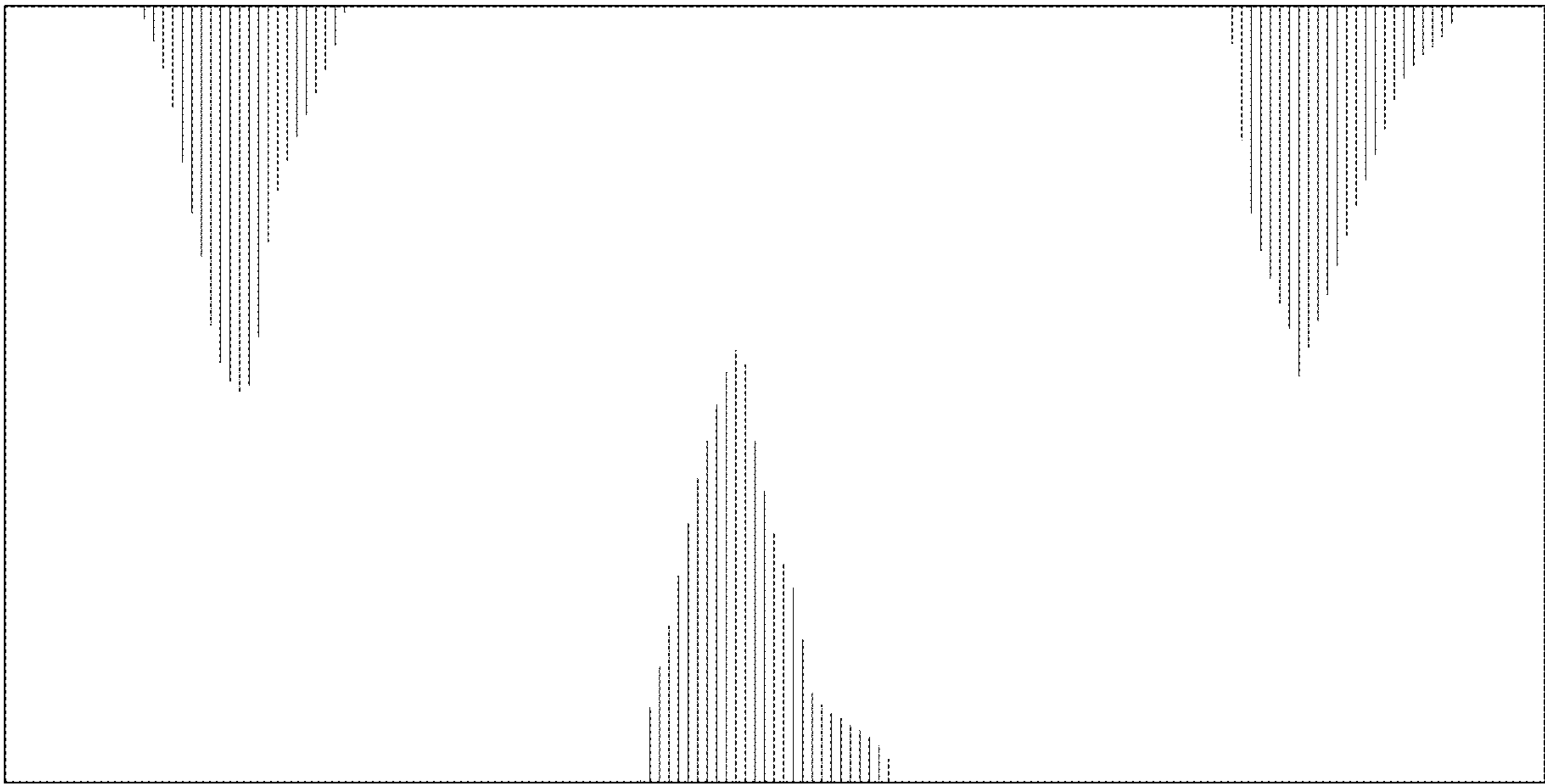


FIG. 13

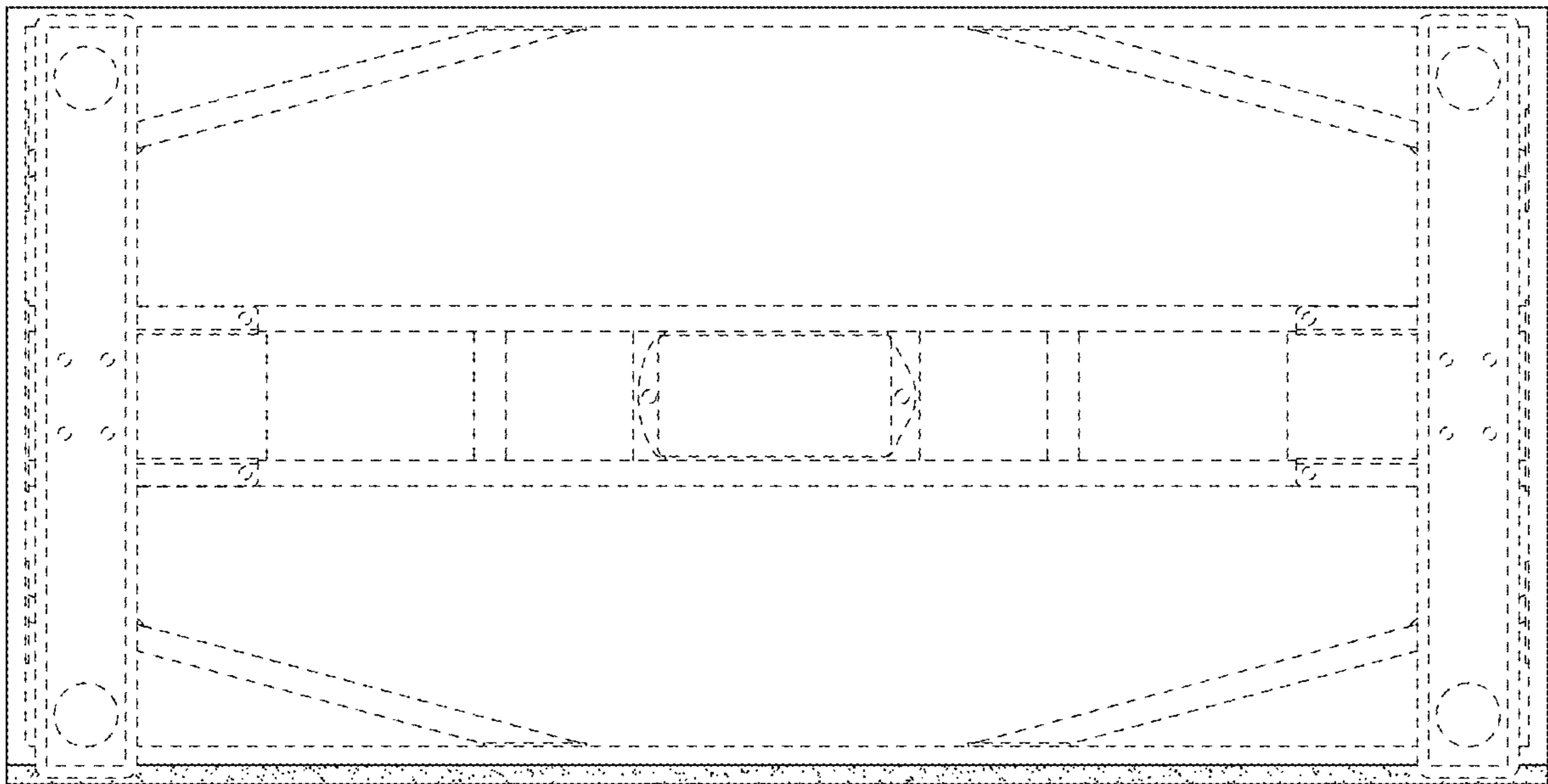


FIG. 14