



US00D942192S

(12) **United States Design Patent** (10) **Patent No.:** **US D942,192 S**  
**Lundin et al.** (45) **Date of Patent:** **\*\* Feb. 1, 2022**

(54) **COLLAPSIBLE ADJUSTABLE HEIGHT TABLE**

(71) Applicant: **Evo Inventions LLC**, Newark, DE (US)  
(72) Inventors: **Christopher Lundin**, Newark, DE (US); **Evan Einbender Aamodt**, Philadelphia, PA (US); **Michael A. Dotsey**, Chester Springs, PA (US); **Noah E. Dingler**, Phoenixville, PA (US); **Erin H. Morrissey**, Mont Clare, PA (US); **Jonathan N. Tackie**, Murrysville, PA (US)

(73) Assignee: **Evo Inventions LLC**, Newark, DE (US)

(\*\*) Term: **15 Years**

(21) Appl. No.: **29/702,366**

(22) Filed: **Aug. 19, 2019**

(51) **LOC (13) Cl.** ..... **06-03**

(52) **U.S. Cl.**  
USPC ..... **D6/686**

(58) **Field of Classification Search**  
USPC ..... D6/655.21, 686, 691, 691.1, 691.6, 707, D6/707.19

(Continued)

(56) **References Cited**

**U.S. PATENT DOCUMENTS**

D92,546 S \* 6/1934 Murray ..... D6/691  
D149,619 S \* 5/1948 Dahm ..... D6/691

(Continued)

**FOREIGN PATENT DOCUMENTS**

GB 2394965 A 5/2004  
JP D1277260 A 7/2006

(Continued)

**OTHER PUBLICATIONS**

“Iceberg 65491 IndestucTable TOO.” Found online Jul. 26, 2021 at www.amazon.com. Product first available Nov. 16, 2015. Retrieved from URL: https://tinyurl.com/2htve8jm (Year: 2015).\*

(Continued)

*Primary Examiner* — Mary Ann Calabrese

*Assistant Examiner* — Katelin G Kloberg

(74) *Attorney, Agent, or Firm* — Joan T. Kluger; Barnes & Thornburg LLP

(57) **CLAIM**

We claim the ornamental design for a collapsible height adjustable table, as shown and described.

**DESCRIPTION**

FIG. 1 is a top perspective view of a collapsible height adjustable table in a configuration of use, showing our new design.

FIG. 2 is a front elevation view thereof.

FIG. 3 is a rear elevation view thereof.

FIG. 4 is a right side elevation view thereof.

FIG. 5 is a left elevation view thereof.

FIG. 6 is a top plan view thereof.

FIG. 7 is a bottom plan view thereof;

FIG. 8 is a bottom perspective view thereof

FIG. 9 is a perspective view of the collapsible height adjustable table shown in a collapsed configuration.

FIG. 10 is a front elevation view of the collapsible height adjustable table shown in the collapsed configuration.

FIG. 11 is a rear elevation view of the collapsible height adjustable table shown in the collapsed configuration.

FIG. 12 is a right side elevation view of the collapsible height adjustable table shown in the collapsed configuration.

FIG. 13 is a left view elevation view of the collapsible height adjustable table shown in the collapsed configuration.

FIG. 14 is a top plan view of the collapsible height adjustable table shown in the collapsed configuration.

FIG. 15 is a bottom plan view of the collapsible height adjustable table shown in the collapsed configuration;

FIG. 16 is a bottom perspective view of the collapsible height adjustable table shown in the collapsed configuration.

(Continued)

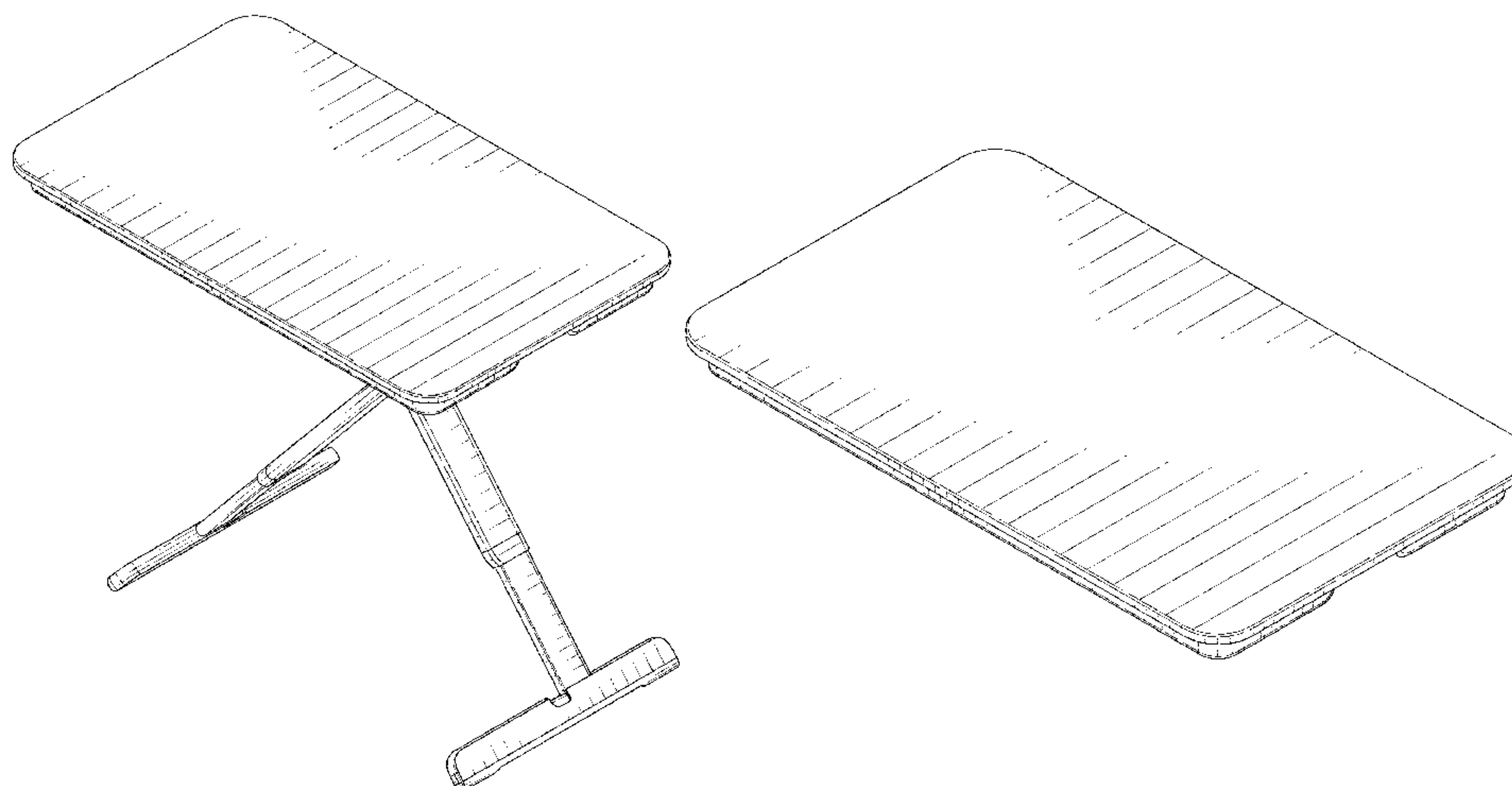


FIG. 17 is a top perspective view of the collapsible height adjustable table shown in a second configuration of use; and, FIG. 18 is a top perspective view of the collapsible height adjustable table shown in a third configuration of use.

**1 Claim, 13 Drawing Sheets**

(58) **Field of Classification Search**

CPC ..... A47B 3/02; A47B 9/16; A47B 2003/025;  
A47B 3/0912; A47B 3/0818; A47B 3/08;  
A47B 3/12; A47B 21/02; A47B 31/04;  
A47B 3/00; A47B 23/044

See application file for complete search history.

(56) **References Cited**

U.S. PATENT DOCUMENTS

2,624,469 A \* 1/1953 Adamson ..... A47B 3/02  
108/116  
2,692,807 A \* 10/1954 Cordola ..... A47B 3/02  
108/120  
2,835,544 A \* 5/1958 Dobkin ..... A47B 3/02  
108/120  
3,387,573 A \* 6/1968 Dean ..... A47B 9/16  
108/117  
5,086,711 A \* 2/1992 Matthews ..... A47B 3/02  
108/119  
D488,337 S \* 4/2004 Strong ..... D6/707.19  
D493,310 S \* 7/2004 Ashby ..... D6/707.15  
D493,989 S \* 8/2004 Farber ..... D6/707.19  
D495,909 S \* 9/2004 Astle ..... D6/707.19  
D498,622 S \* 11/2004 Neunzert ..... D6/707  
6,912,961 B2 \* 7/2005 Winter ..... A47B 3/02  
108/116  
D511,259 S \* 11/2005 Winter ..... D6/708.16  
7,059,254 B2 \* 6/2006 Strong ..... A47B 3/02  
108/118  
D525,810 S \* 8/2006 Ashby ..... D6/708.16  
D546,588 S \* 7/2007 Massaud ..... D6/691

D598,213 S \* 8/2009 Frederking ..... D6/691.6  
D618,936 S \* 7/2010 Xu ..... D6/691.6  
D668,077 S \* 10/2012 Edi ..... D6/686  
9,119,465 B2 \* 9/2015 Grace ..... A47B 3/02  
9,161,616 B1 \* 10/2015 Arishenkoff ..... A47B 3/02  
D775,877 S \* 1/2017 Lin ..... D6/691  
9,808,080 B2 \* 11/2017 Chung ..... A47B 3/02  
D815,473 S \* 4/2018 Westergard ..... D6/686  
D817,665 S \* 5/2018 Nielsen ..... D6/655.21  
D862,951 S \* 10/2019 Angel ..... D6/691  
10,426,259 B2 \* 10/2019 Patton ..... A47B 9/16  
2011/0101716 A1 \* 5/2011 Nolte ..... H02G 1/02  
294/174  
2015/0108296 A1 \* 4/2015 Van Dyne ..... A47B 3/02  
248/164  
2018/0255919 A1 \* 9/2018 Swartz ..... A47B 21/02  
2020/0268143 A1 \* 8/2020 Fitzpatrick ..... A47B 9/00

FOREIGN PATENT DOCUMENTS

KR 300947391000 A 3/2018  
TW 543408 A 7/2003  
TW M403256 A 5/2011  
WO 2010001121 A1 1/2010

OTHER PUBLICATIONS

“Foldable Table with TV Tray by Everyday Home.” Found online Jul. 26, 2021 at [www.amazon.com](http://www.amazon.com). Product first available Feb. 17, 2017. Retrieved from URL: <https://tinyurl.com/58ztfcw> (Year: 2017).\*

“Eventstable TitanPRO TV Dinner Folding Table.” Found online Jul. 26, 2021 at [www.amazon.com](http://www.amazon.com). Product first available Oct. 2, 2019. Retrieved from URL: <https://tinyurl.com/333dttxd> (Year: 2019).\*

Search Report dated Aug. 12, 2020 by the Intellectual Property Office in (ROC) Taiwan Design Patent Application No. 109300776. International Search Report and Written Opinion issued by the International Searching Authority dated Jan. 27, 2021 in International Patent Application No. PCT/US2020/045916.

\* cited by examiner

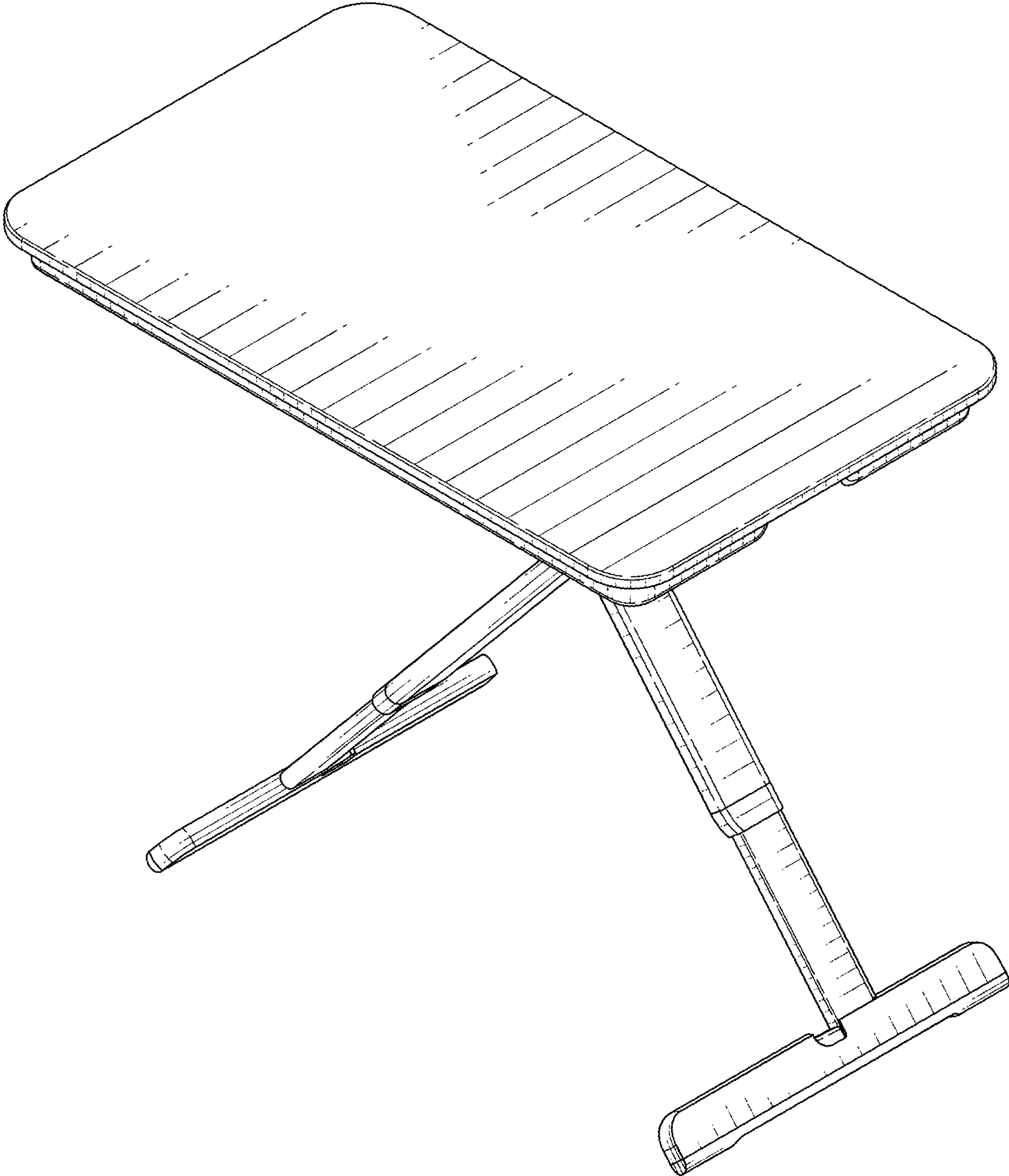


FIG. 1



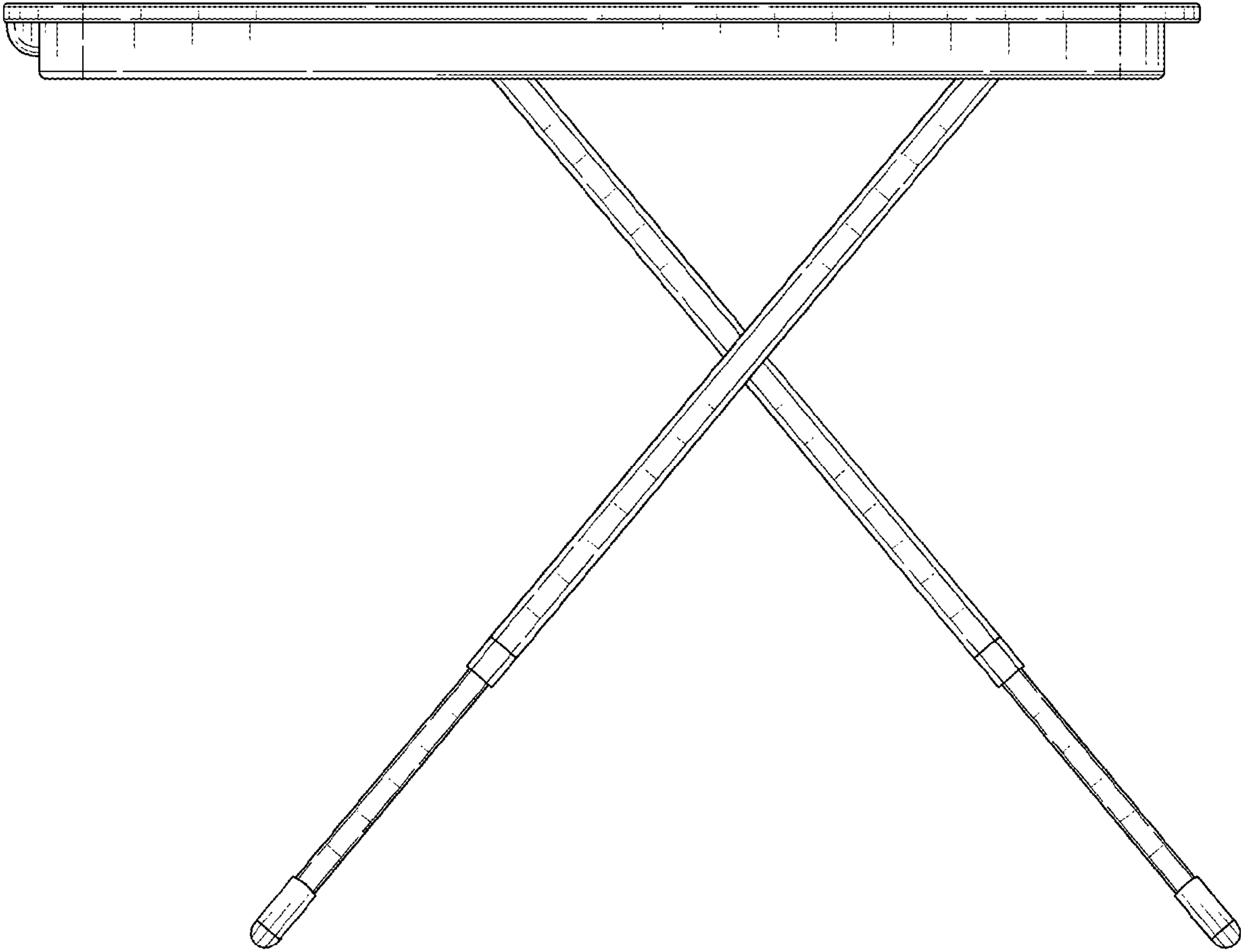


FIG. 2

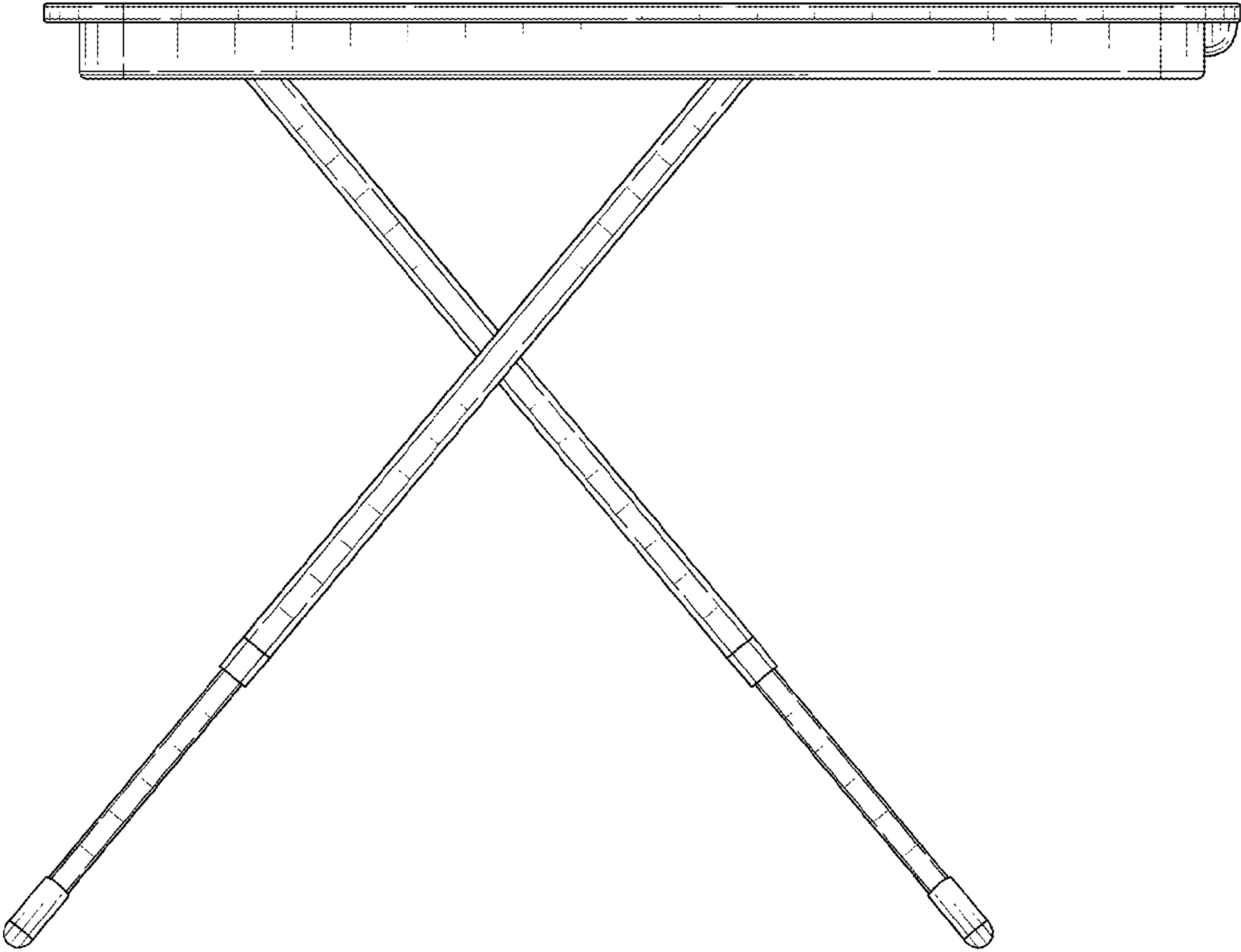


FIG. 3

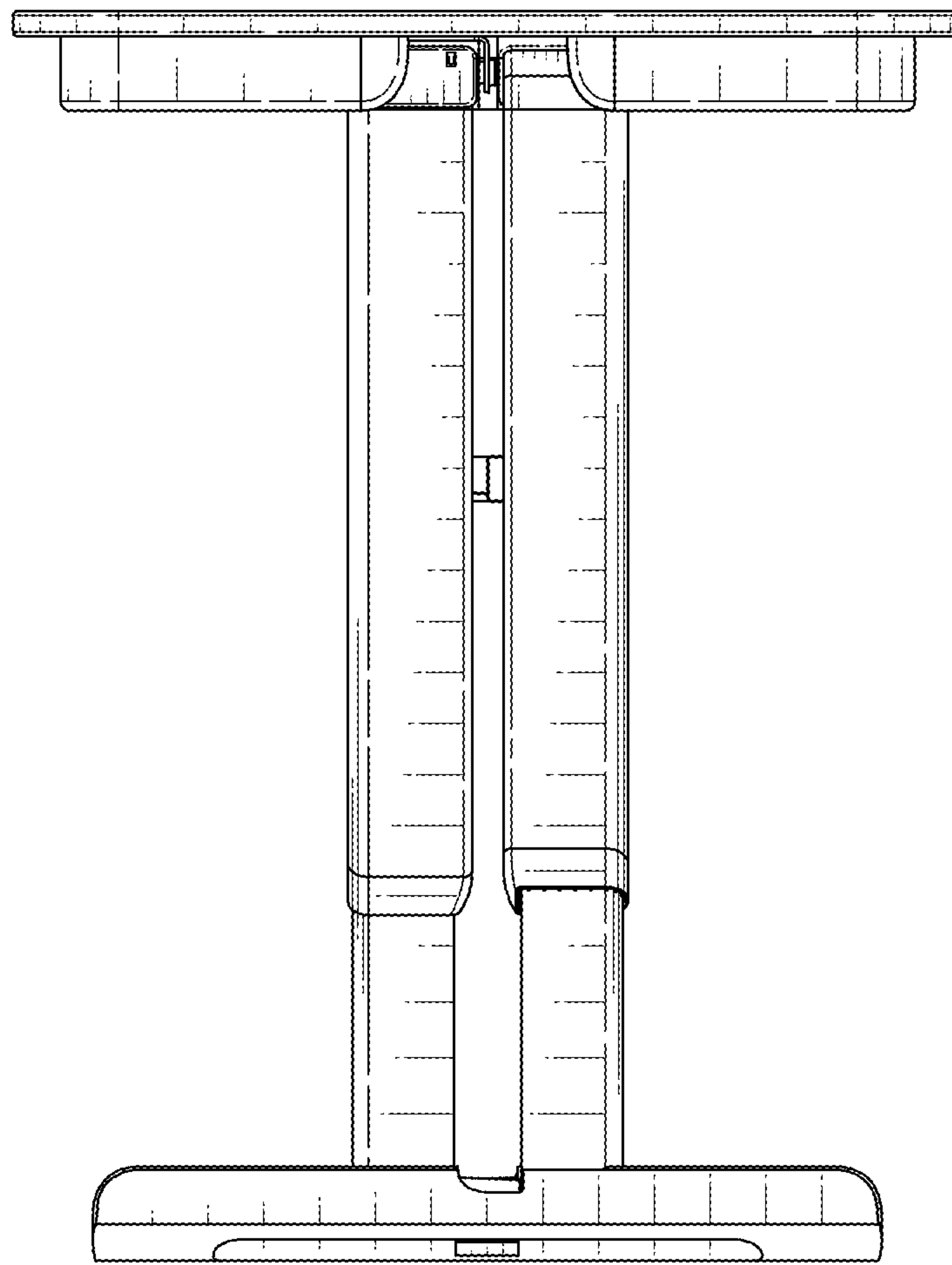


FIG. 4

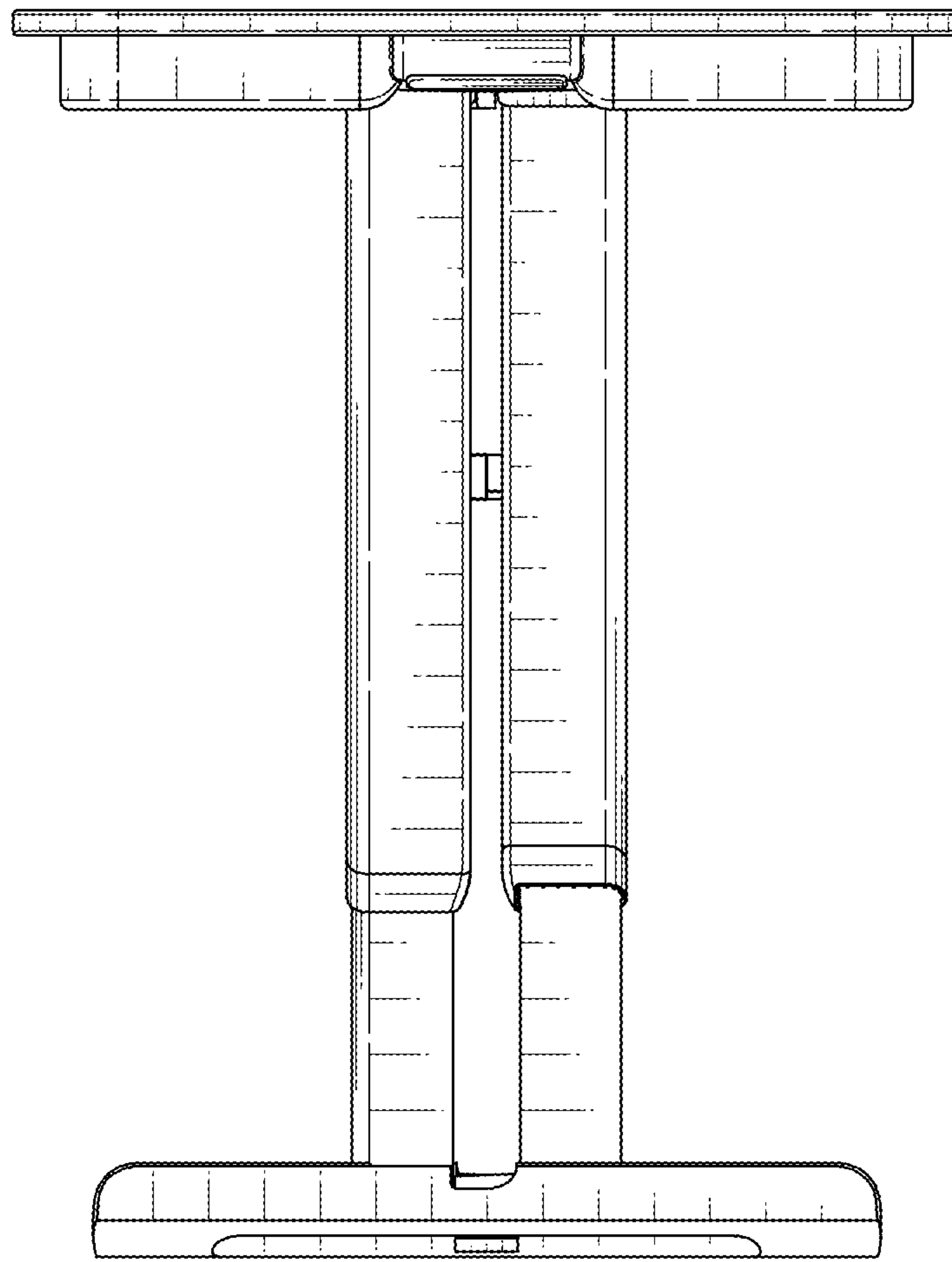


FIG. 5

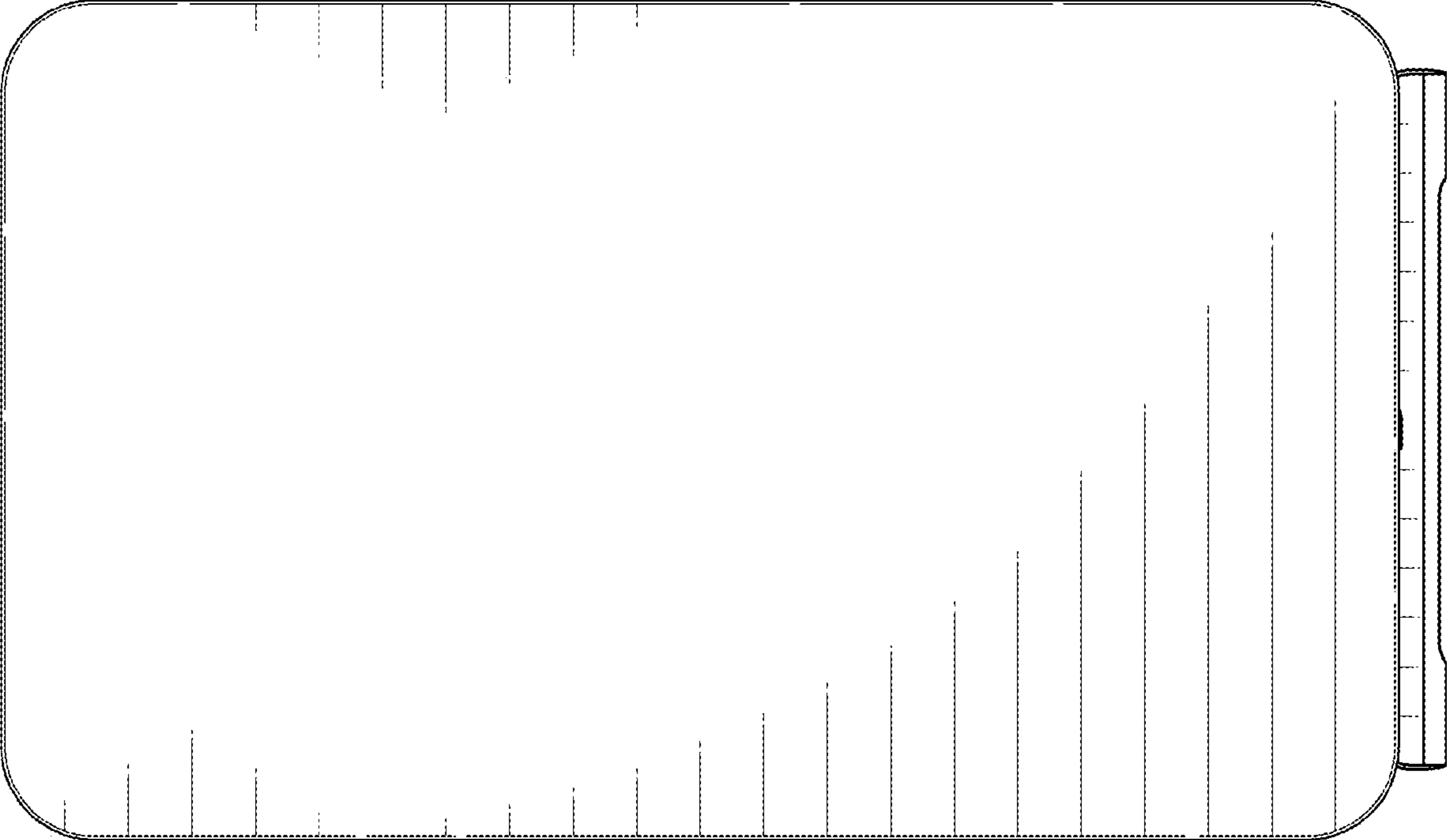


FIG. 6

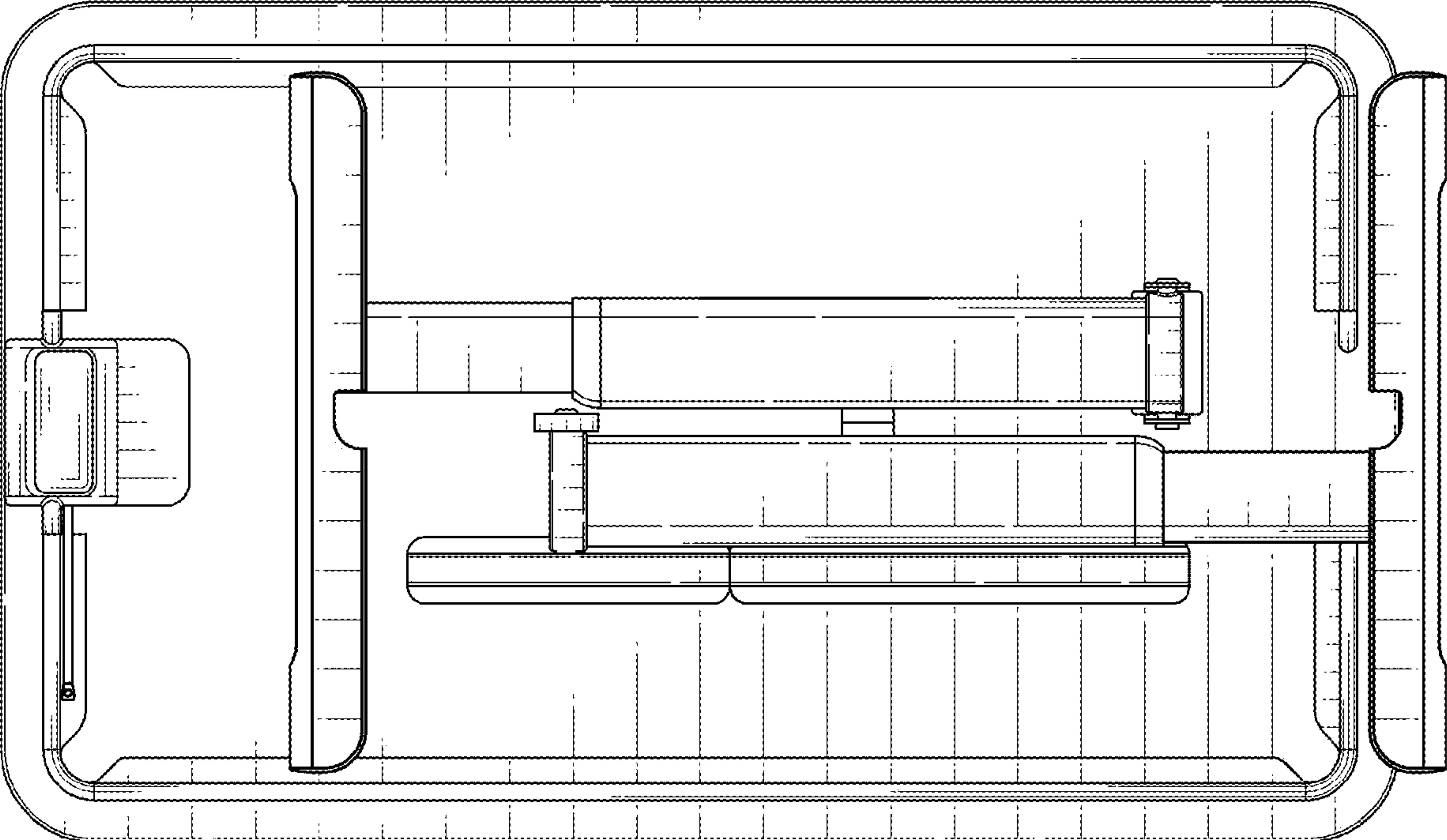


FIG. 7



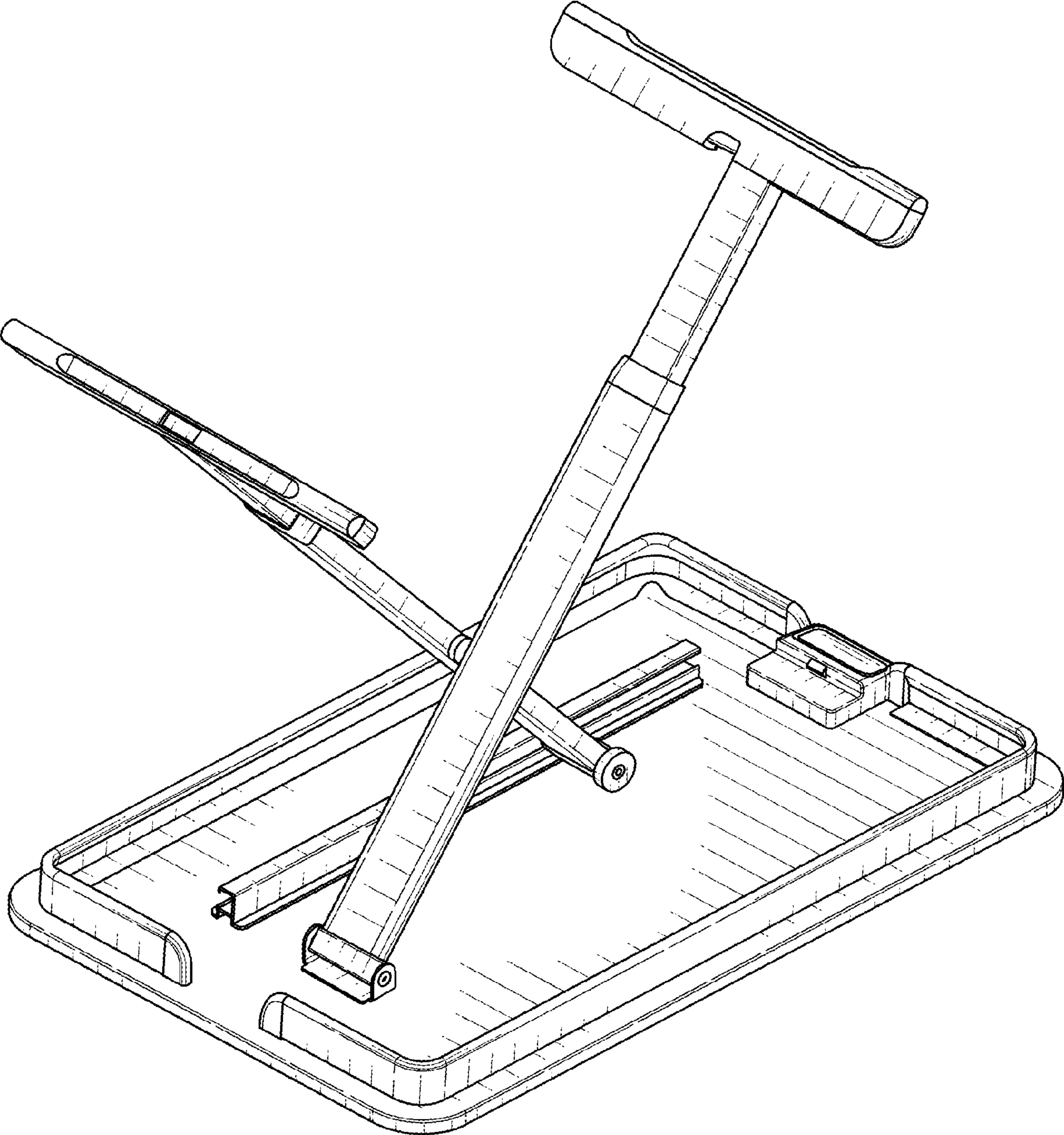


FIG. 8

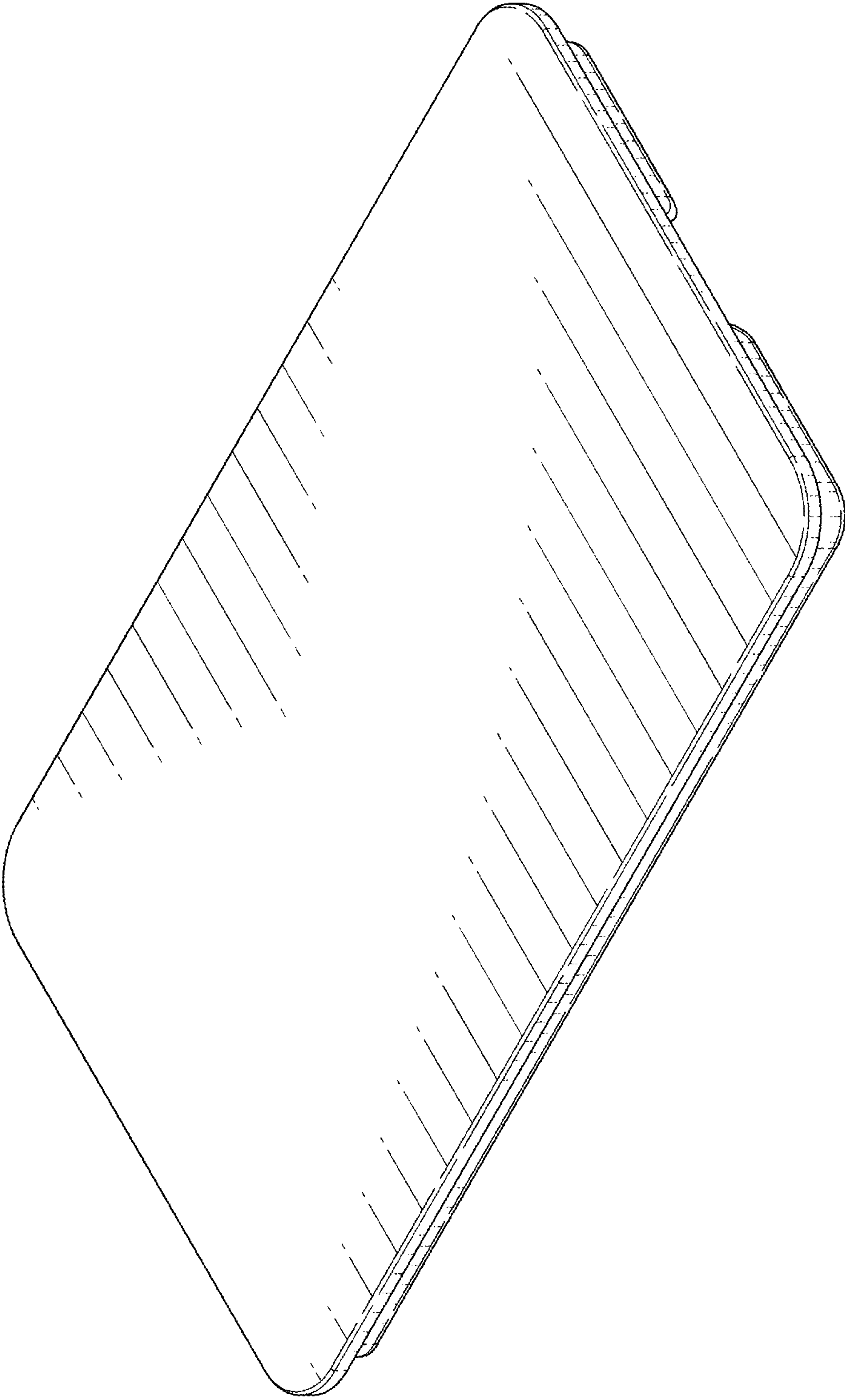


FIG. 9

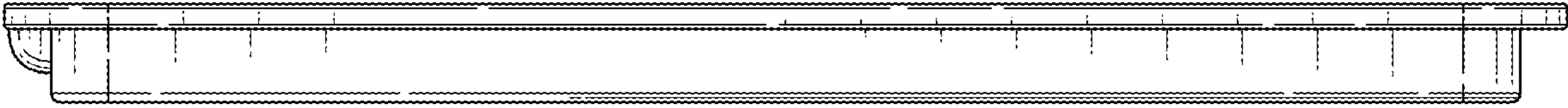


FIG. 10

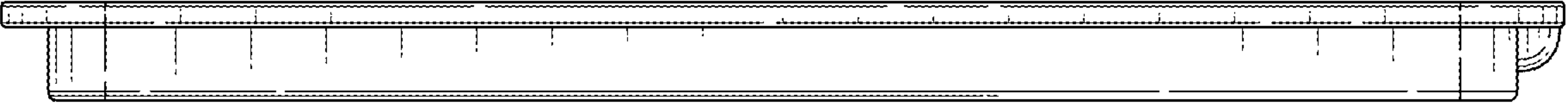


FIG. 11

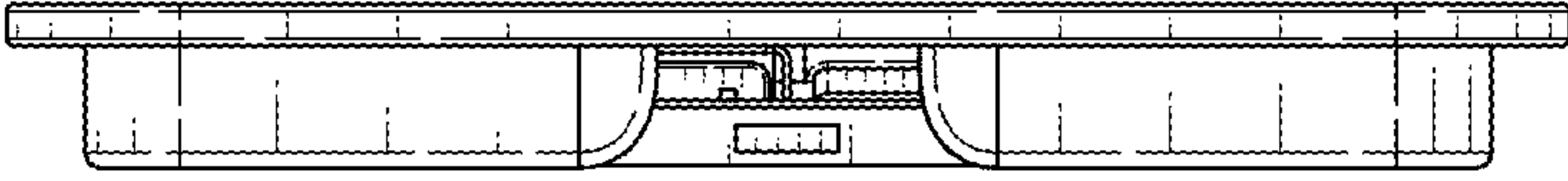


FIG. 12



FIG. 13

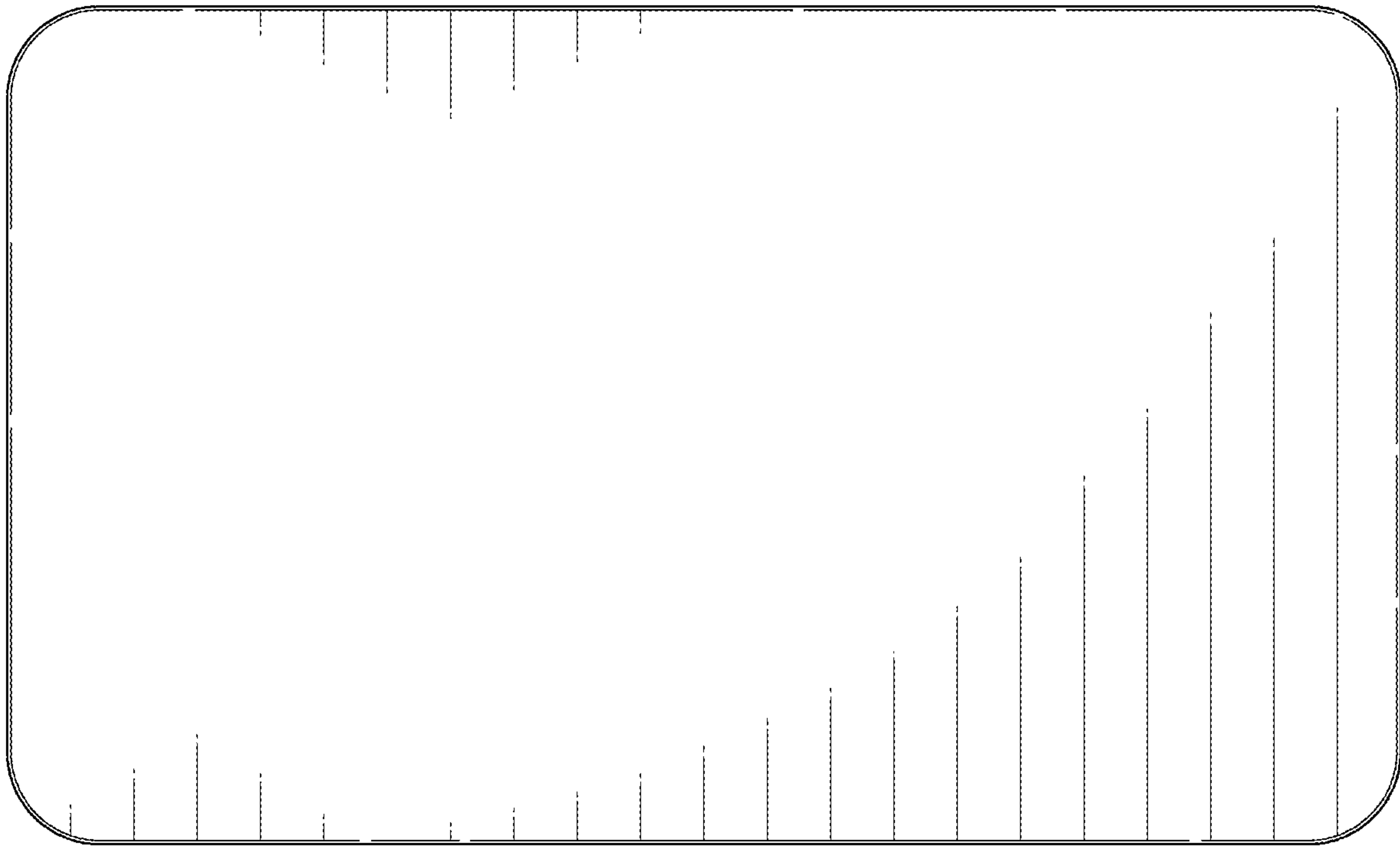


FIG. 14

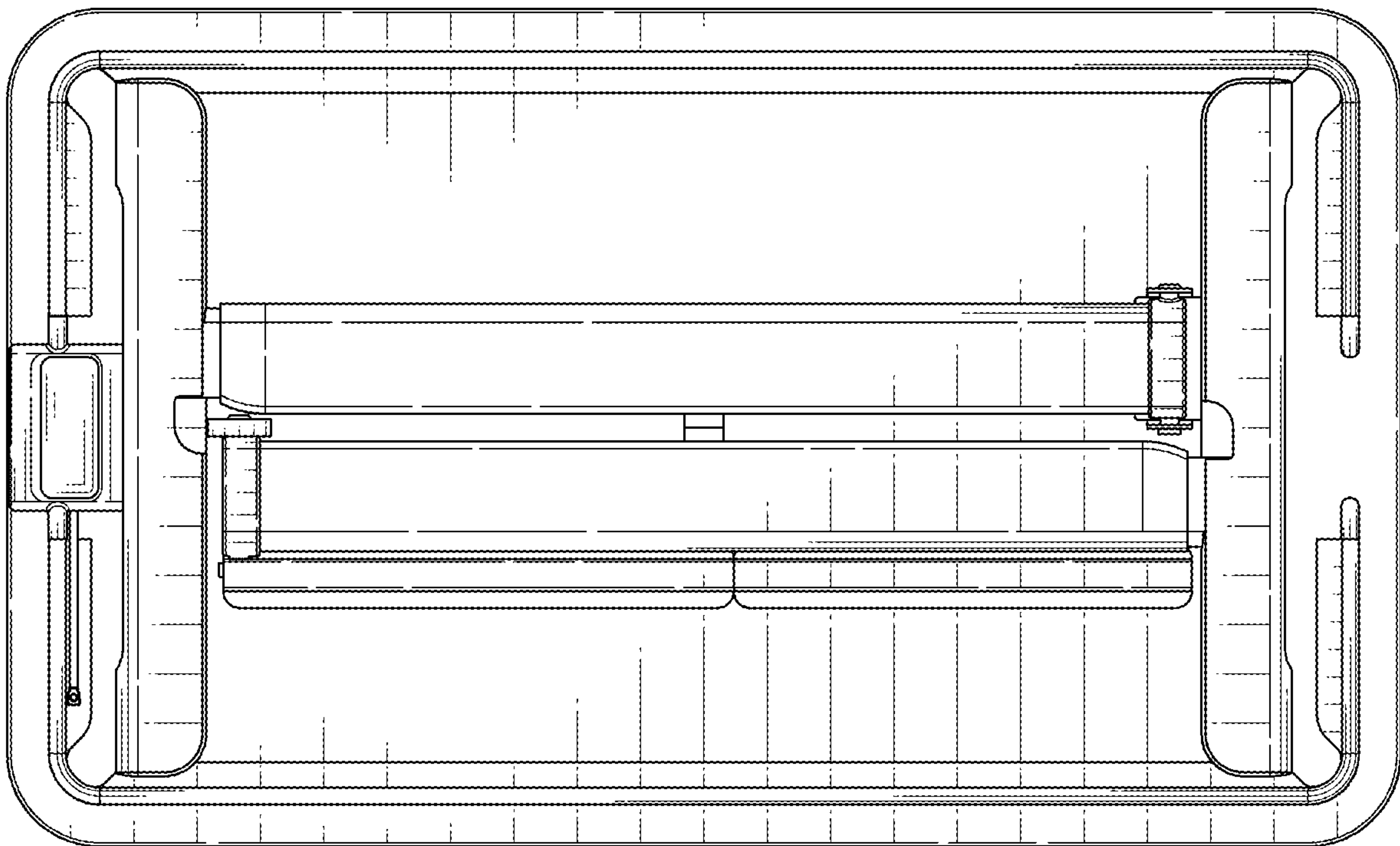


FIG. 15



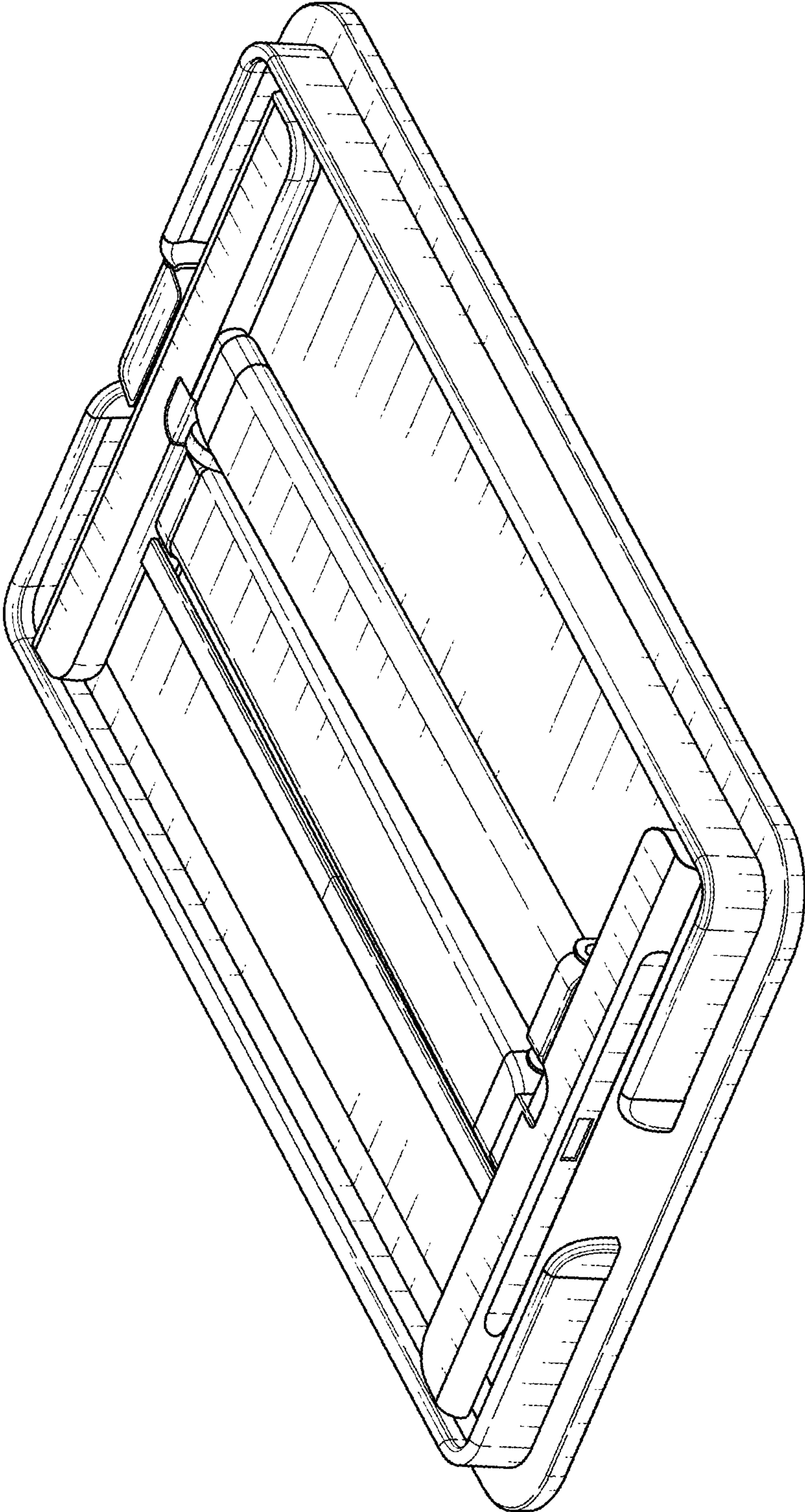


FIG. 16



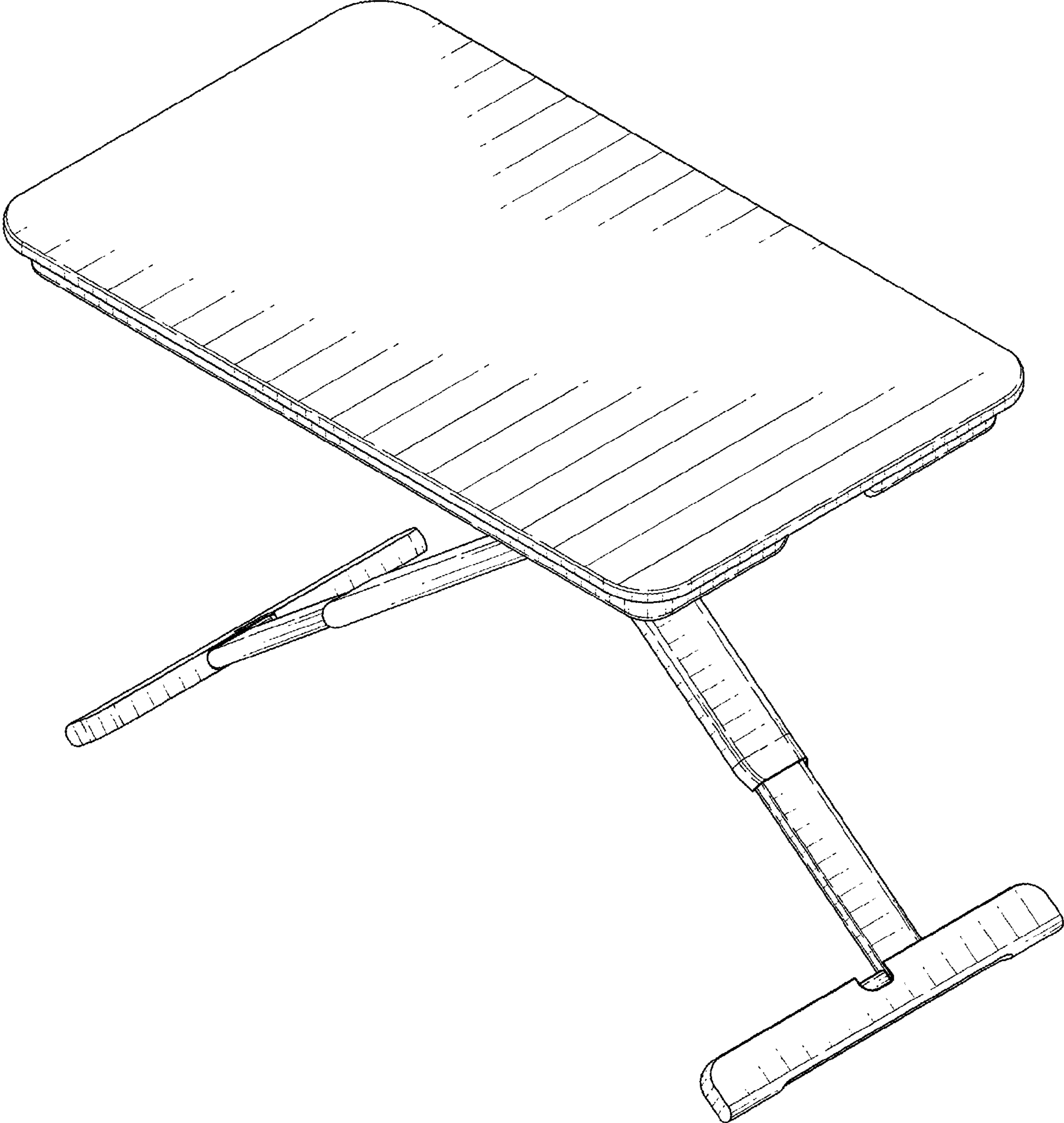


FIG. 17



FIG. 18