



US00D942189S

(12) **United States Design Patent**  
**Sawyer et al.**

(10) **Patent No.:** **US D942,189 S**

(45) **Date of Patent:** **\*\* Feb. 1, 2022**

- (54) **CABINET CONTAINING CUSTOMIZED DRAWERS FOR STORING EPI-PENS**
- (71) Applicants: **Marilyn Sawyer**, Northbrook, IL (US);  
**Mark Sawyer**, Northbrook, IL (US)
- (72) Inventors: **Marilyn Sawyer**, Northbrook, IL (US);  
**Mark Sawyer**, Northbrook, IL (US)
- (\*\*) Term: **15 Years**
- (21) Appl. No.: **29/653,443**
- (22) Filed: **Jun. 15, 2018**
- (51) **LOC (13) Cl.** ..... **06-04**
- (52) **U.S. Cl.**  
USPC ..... **D6/671**
- (58) **Field of Classification Search**  
USPC .... D3/203.1; D6/657, 662, 662.1, 663, 666,  
D6/668.1, 668.2, 671, 671.1, 671.2,  
D6/671.4, 672, 675, 675.1, 514, 559, 560,  
D6/561  
CPC ..... A47B 81/00; A47B 88/53; A47B 88/919;  
A47B 88/944; G09F 7/04  
See application file for complete search history.

- D423,817 S \* 5/2000 Holcomb ..... D34/21
- D441,221 S \* 5/2001 O'Hare ..... D6/671.1
- D467,863 S \* 12/2002 Boerret ..... D12/423
- D477,726 S \* 7/2003 Day ..... D6/630
- D496,805 S \* 10/2004 Anderson ..... D6/671
- D503,297 S \* 3/2005 Mohundro ..... D6/671.1
- D546,582 S \* 7/2007 Moloney ..... D6/671
- D558,485 S \* 1/2008 Wise ..... D6/668.2
- D563,104 S \* 3/2008 Wenck ..... D3/297
- D574,629 S \* 8/2008 Kalkwarf ..... D6/671.1
- D587,047 S \* 2/2009 Kalkwarf ..... D6/671.1
- D587,933 S \* 3/2009 Semrau ..... D6/671
- D596,873 S \* 7/2009 Hughes ..... D6/663
- D647,325 S \* 10/2011 Gormezano ..... D6/671.1
- D665,596 S \* 8/2012 Shawcross ..... D6/663
- 8,588,966 B2 \* 11/2013 Michael ..... G07F 11/62  
700/242
- D723,841 S \* 3/2015 Troyner ..... D6/671.2
- D732,858 S \* 6/2015 Troyner ..... D6/671.1
- 9,089,963 B2 \* 7/2015 Freimuth ..... A47B 81/00
- D741,624 S \* 10/2015 Freimuth ..... D6/671.1
- 9,322,207 B2 \* 4/2016 Savage ..... E05G 1/04
- D765,445 S \* 9/2016 Persson ..... D6/671.1
- D807,084 S \* 1/2018 Waldner ..... D6/671.1
- 9,901,170 B2 \* 2/2018 Tam ..... A47B 81/00
- D824,192 S \* 7/2018 Poulton ..... D6/663

(Continued)

*Primary Examiner* — Steven J Czyz  
(74) *Attorney, Agent, or Firm* — The Iwashko Law Firm,  
PLLC; Lev Ivan Gabriel Iwashko

(56) **References Cited**

U.S. PATENT DOCUMENTS

- D45,934 S \* 6/1914 Haverfield et al. .... D6/671.2
- D180,171 S \* 4/1957 Band et al. .... D6/671
- 3,865,447 A \* 2/1975 Patterson ..... A47B 88/944  
312/234.2
- D238,131 S \* 12/1975 Mendlin et al. .... D6/384
- D239,995 S \* 5/1976 Sgombick et al. .... D6/671.1
- D254,883 S \* 5/1980 Jorda-Segui ..... D19/92
- 4,461,520 A \* 7/1984 Alneng ..... A47B 88/969  
312/348.3
- D276,574 S \* 12/1984 Ackeret ..... D6/628
- D286,714 S \* 11/1986 Verholt ..... D6/671.1
- D405,768 S \* 2/1999 O'Sullivan ..... D6/671

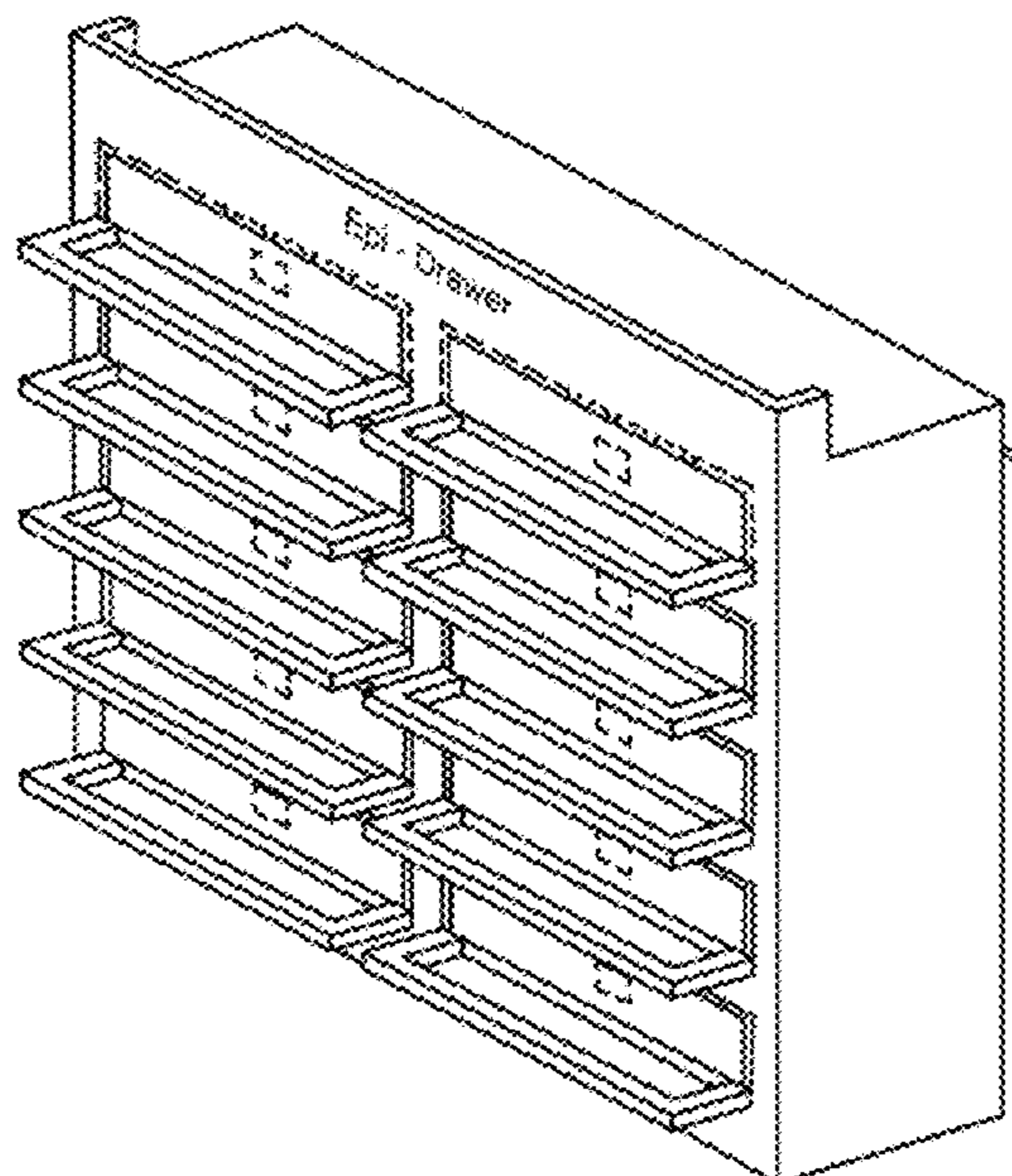
(57) **CLAIM**

The ornamental design for a cabinet containing customized drawers for storing epi-pens, as shown and described.

**DESCRIPTION**

The sole FIGURE is a perspective view of a cabinet containing customized drawers for storing epi-pens. The broken lines depict portions of the article that form no part of the claimed design.

**1 Claim, 1 Drawing Sheet**



(56)

**References Cited**

U.S. PATENT DOCUMENTS

D839,028 S \* 1/2019 Schooley, Jr. .... A47B 63/02  
D6/663  
10,413,057 B2 \* 9/2019 McLean ..... B65H 49/322  
D862,131 S \* 10/2019 Faulk ..... A47B 81/00  
D6/663  
D862,941 S \* 10/2019 Guhring ..... B65H 49/322  
D6/663  
D873,587 S \* 1/2020 Nicoll ..... G07F 11/62  
D6/671  
D881,613 S \* 4/2020 Leng ..... A47B 81/00  
D6/663  
10,683,681 B2 \* 6/2020 Rahilly ..... E05B 65/0003  
10,939,576 B2 \* 3/2021 Horning ..... H01R 13/113  
10,939,759 B2 \* 3/2021 Liu ..... A47B 63/02

\* cited by examiner

