

US00D942188S

(12) **United States Design Patent** (10) **Patent No.:** **US D942,188 S**
Hu (45) **Date of Patent:** **** Feb. 1, 2022**

(54) **ELECTRIC HEIGHT ADJUSTABLE GAMING DESK**

D547,970 S 8/2007 Chou
D549,009 S 8/2007 Lin
7,559,516 B2* 7/2009 Koder A47B 9/20
248/188.5
9,271,567 B2* 3/2016 Wu A47B 1/08
(Continued)

(71) Applicant: **Yajun Hu**, El Dorado Hills, CA (US)

(72) Inventor: **Yajun Hu**, El Dorado Hills, CA (US)

(73) Assignee: **YAJUN HU, EUREKA LLC.**, El Dorado Hills, CA (US)

(**) Term: **15 Years**

(21) Appl. No.: **29/732,092**

(22) Filed: **Apr. 21, 2020**

(51) **LOC (13) Cl.** **06-03**

(52) **U.S. Cl.**
USPC **D6/656.17**

(58) **Field of Classification Search**
USPC D6/641, 642, 648, 648.1, 650, 650.1,
D6/655, 656, 656.1, 656.11, 656.12,
D6/656.13, 656.14, 656.15, 656.16,
D6/656.17, 656.18, 656.19, 675, 686,
D6/688.14, 688.15, 691, 691.5, 691.1, 6,
D6/691.7, 694.2, 697, 705, 705.4, 705.5,
D6/705.7, 706, 707, 707.18, 707.19,
D6/707.22
CPC A47B 1/00; A47B 7/00; A47B 9/10; A47B
9/16; A47B 2009/006; A47B 11/00; A47B
13/00; A47B 13/081; A47B 21/0073;
A47B 21/02; A47B 21/03; A47B
2200/0064; A47B 9/00; A47B 9/02; A47B
9/04; A47B 9/12; A47B 2200/0035; A47B
2200/005; A47B 2200/0056

See application file for complete search history.

(56) **References Cited**

U.S. PATENT DOCUMENTS

D478,225 S 8/2003 Wang
D499,273 S 12/2004 Chang
D499,576 S 12/2004 Long
D526,812 S 8/2006 Chen

OTHER PUBLICATIONS

AuAg, posted at Amazon.com, posted on Nov. 11, 2020, site visited Apr. 21, 2021. online, available from internet: <https://www.amazon.com/AuAg-Gaming-T-Shaped-Computer-Headphone/dp/B08N6D8Q1Z> (Year: 2020).*

Primary Examiner — Mary Ann Calabrese
Assistant Examiner — Catherine Ho

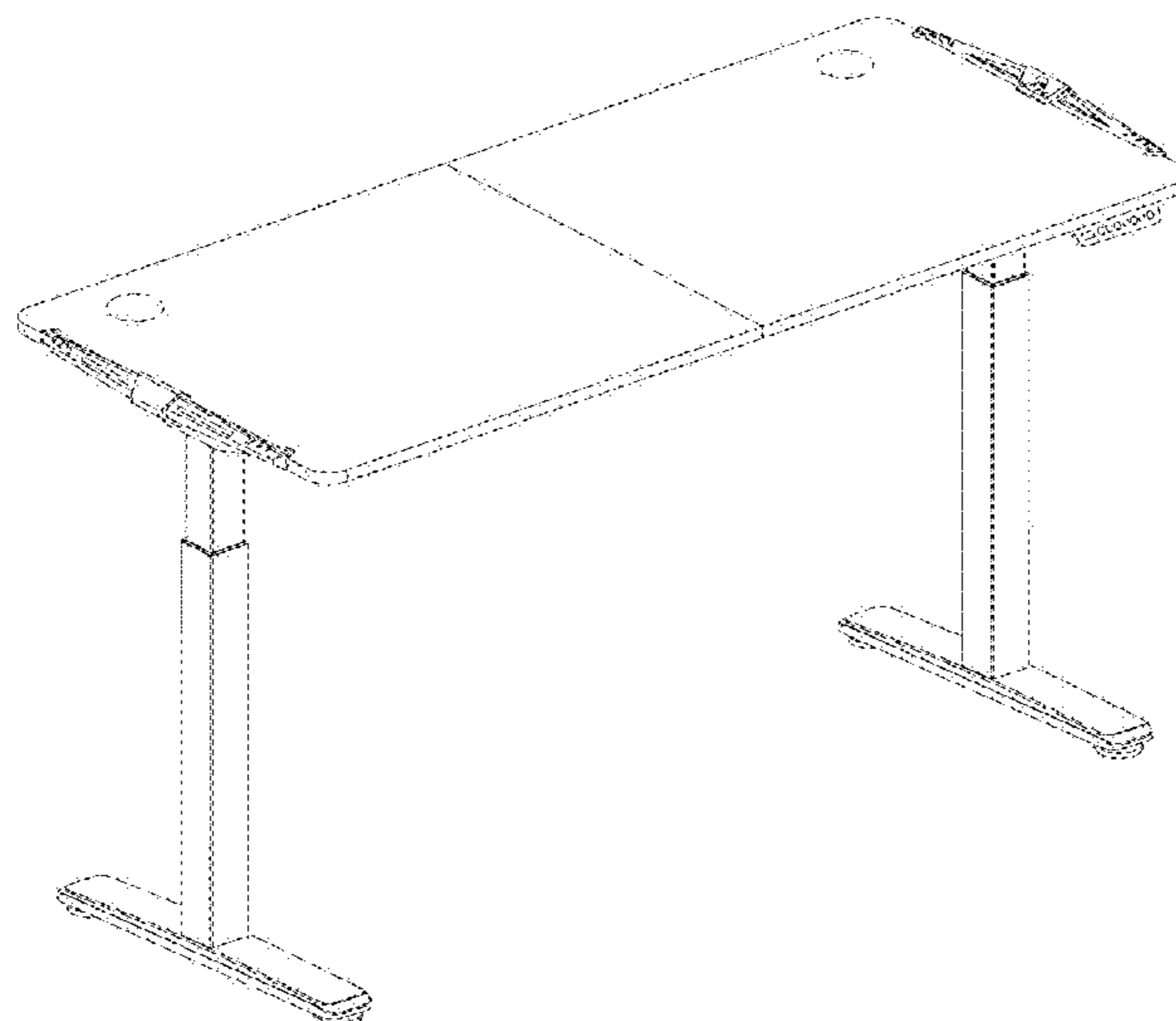
(57) **CLAIM**

The ornamental design for an electric height adjustable gaming desk, as shown and described.

DESCRIPTION

FIG. 1 is a perspective view of an electric height adjustable gaming desk in a collapsed position, showing my new design;
FIG. 2 is a front view thereof;
FIG. 3 is a bottom view thereof;
FIG. 4 is a top view thereof;
FIG. 5 is a rear side view thereof;
FIG. 6 is a left side view thereof;
FIG. 7 is a right side view thereof;
FIG. 8 is a perspective view of an electric height adjustable gaming desk in an extended position;
FIG. 9 is a front view thereof;
FIG. 10 is a rear side view thereof;
FIG. 11 is a left side view thereof; and,
FIG. 12 is a right side view thereof.
The broken line portion of the figure drawings is included to show portions of the article that forms no part of the claim design.

1 Claim, 12 Drawing Sheets



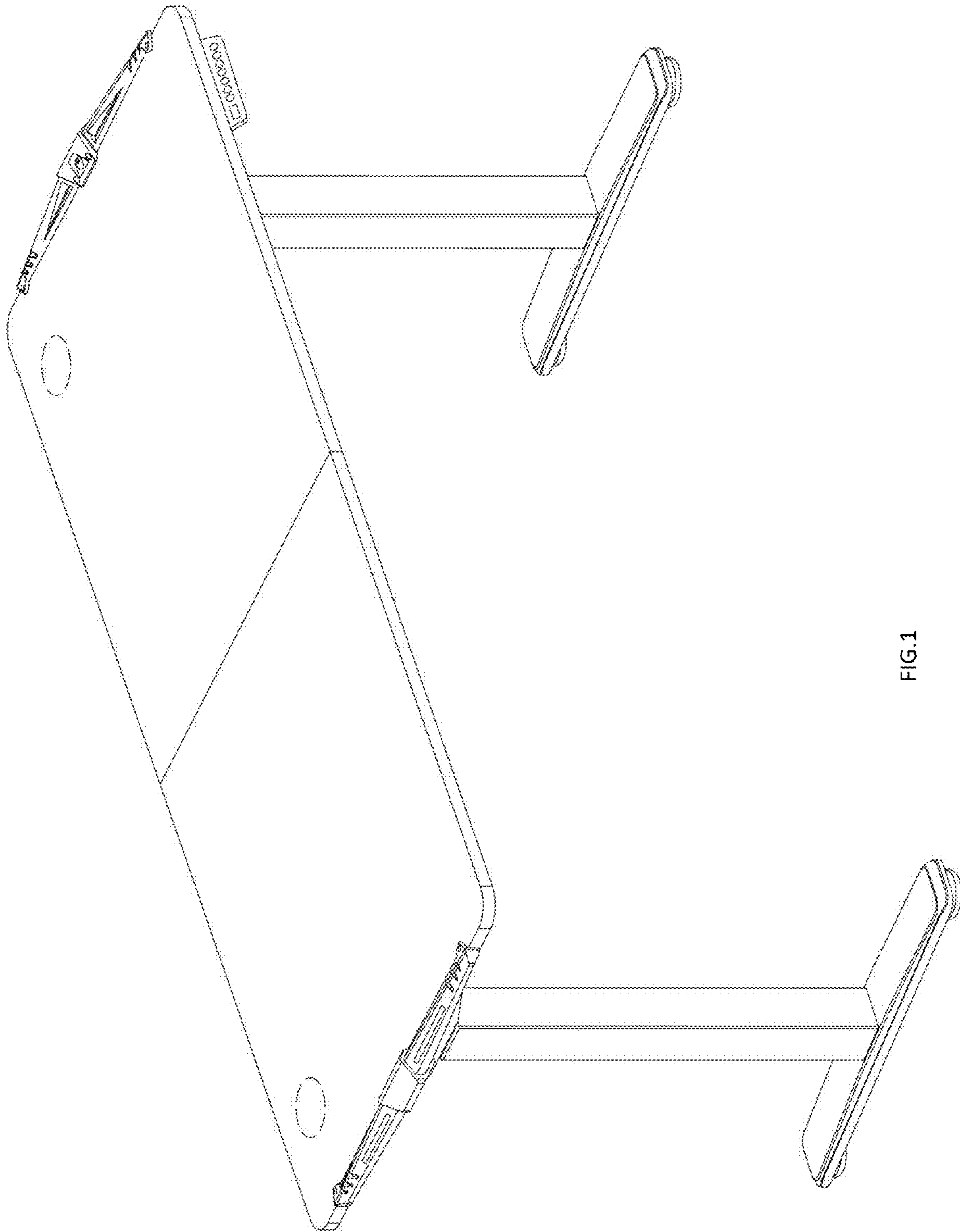
(56)

References Cited

U.S. PATENT DOCUMENTS

9,591,919	B2	3/2017	Ergun et al.	
9,635,932	B2	5/2017	Kelley	
10,349,736	B2 *	7/2019	Tseng	A47B 9/04
D862,129	S *	10/2019	Hu	D6/656.17
D865,405	S *	11/2019	Hu	D6/656.16
10,470,563	B2 *	11/2019	Keller	A47B 9/20
D875,442	S *	2/2020	Duan	D6/656.16
D877,544	S *	3/2020	Hu	D6/656.16
D879,515	S *	3/2020	Goldberg	D6/656.16
10,806,249	B2 *	10/2020	Lin	A47B 9/10
2015/0282605	A1 *	10/2015	Wu	A47B 1/08
				248/188.2
2016/0128463	A1 *	5/2016	Wu	A47B 1/10
				248/550
2017/0251802	A1 *	9/2017	Lu	A47B 3/06
2017/0303679	A1 *	10/2017	Tseng	A47B 9/04
2018/0000240	A1 *	1/2018	Yamamoto	A47B 9/00
2018/0184799	A1 *	7/2018	Lin	A47B 9/04
2019/0059573	A1 *	2/2019	Tseng	A47B 9/04
2019/0082823	A1 *	3/2019	Applegate	A47B 9/00
2019/0328130	A1 *	10/2019	Egger	A47B 21/02
2020/0154876	A1 *	5/2020	Liu	A47B 1/08
2020/0329861	A1 *	10/2020	Zhang	A47B 9/00
2020/0329862	A1 *	10/2020	Tao	A47B 9/12
2020/0337451	A1 *	10/2020	Tao	A47B 9/12
2021/0030146	A1 *	2/2021	Riebner	A47B 9/00
2021/0037962	A1 *	2/2021	Applegate	A47B 3/0815

* cited by examiner



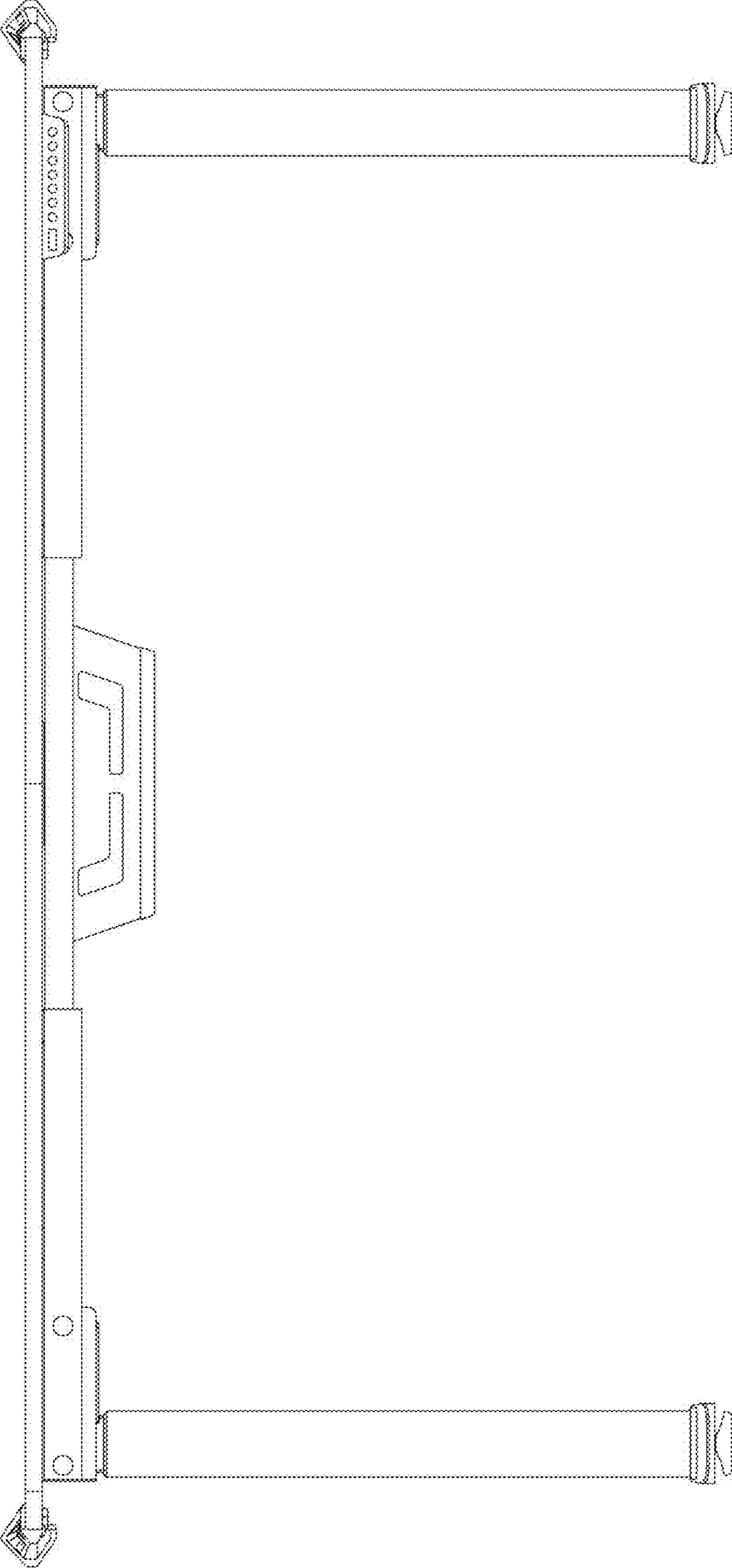


FIG.2

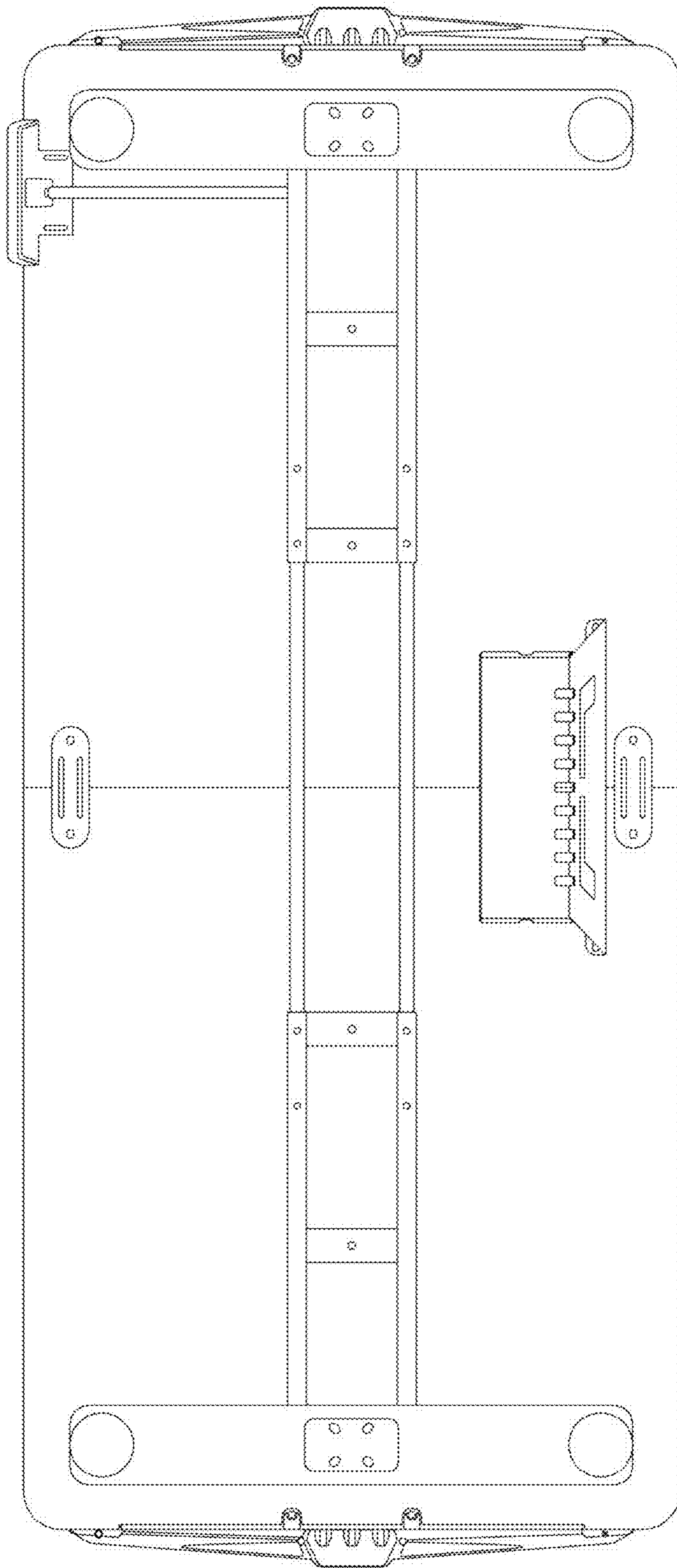


FIG.3

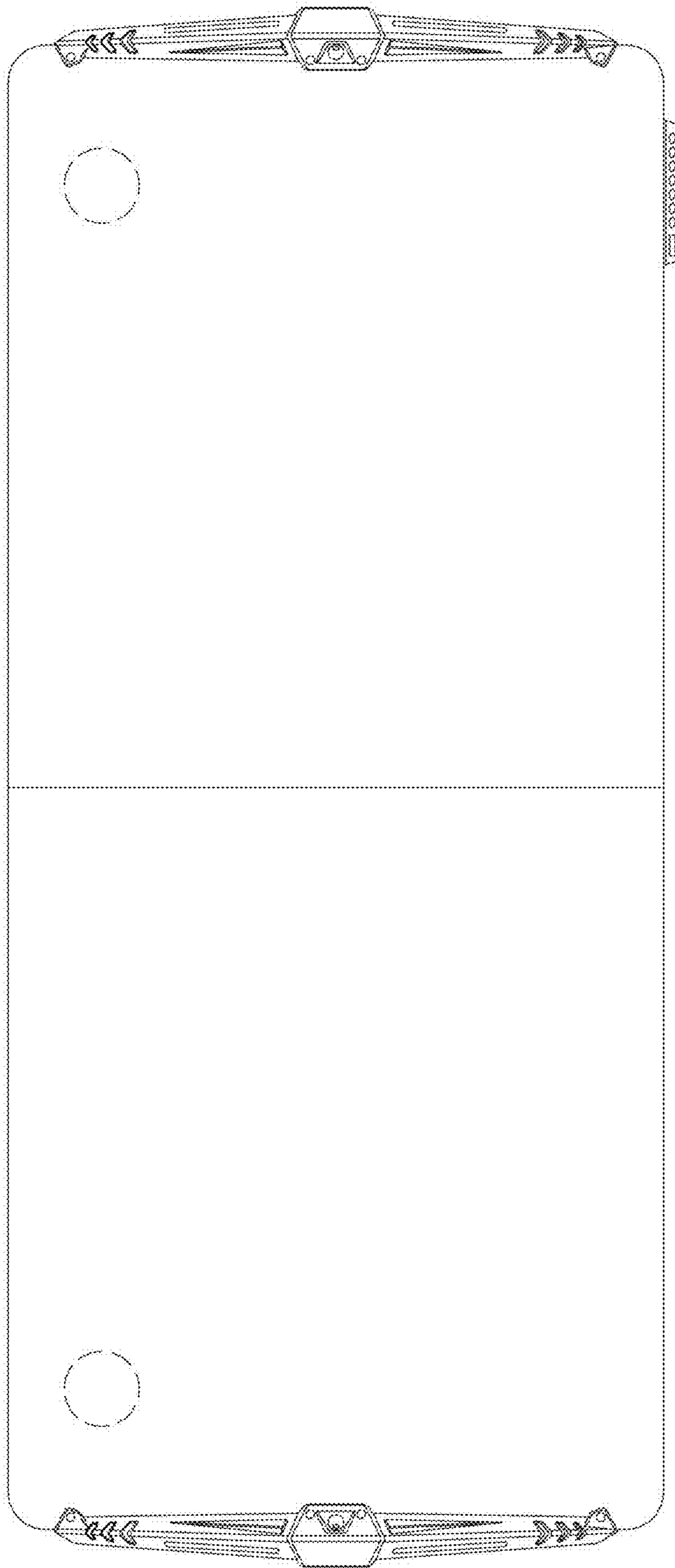


FIG. 4

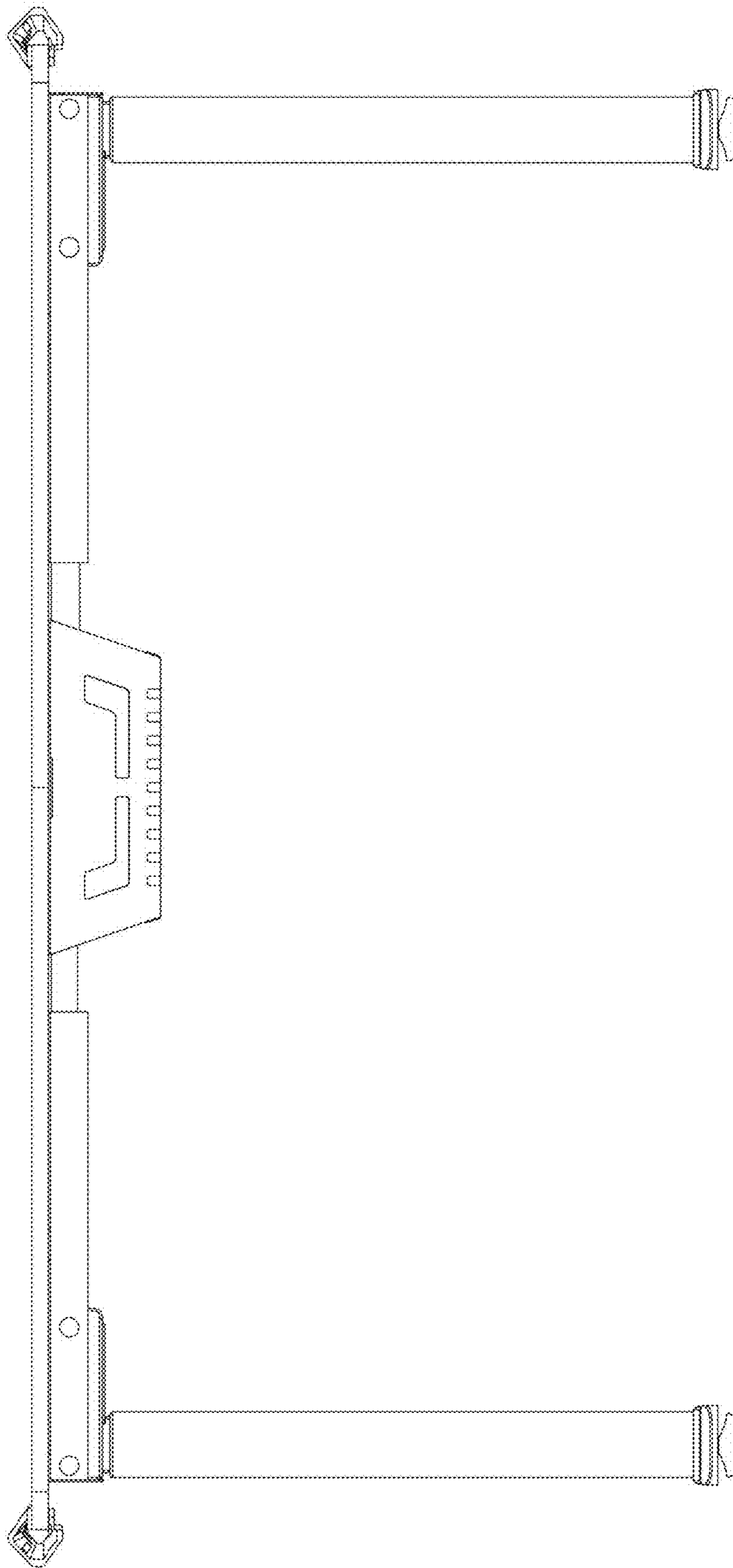


FIG.5

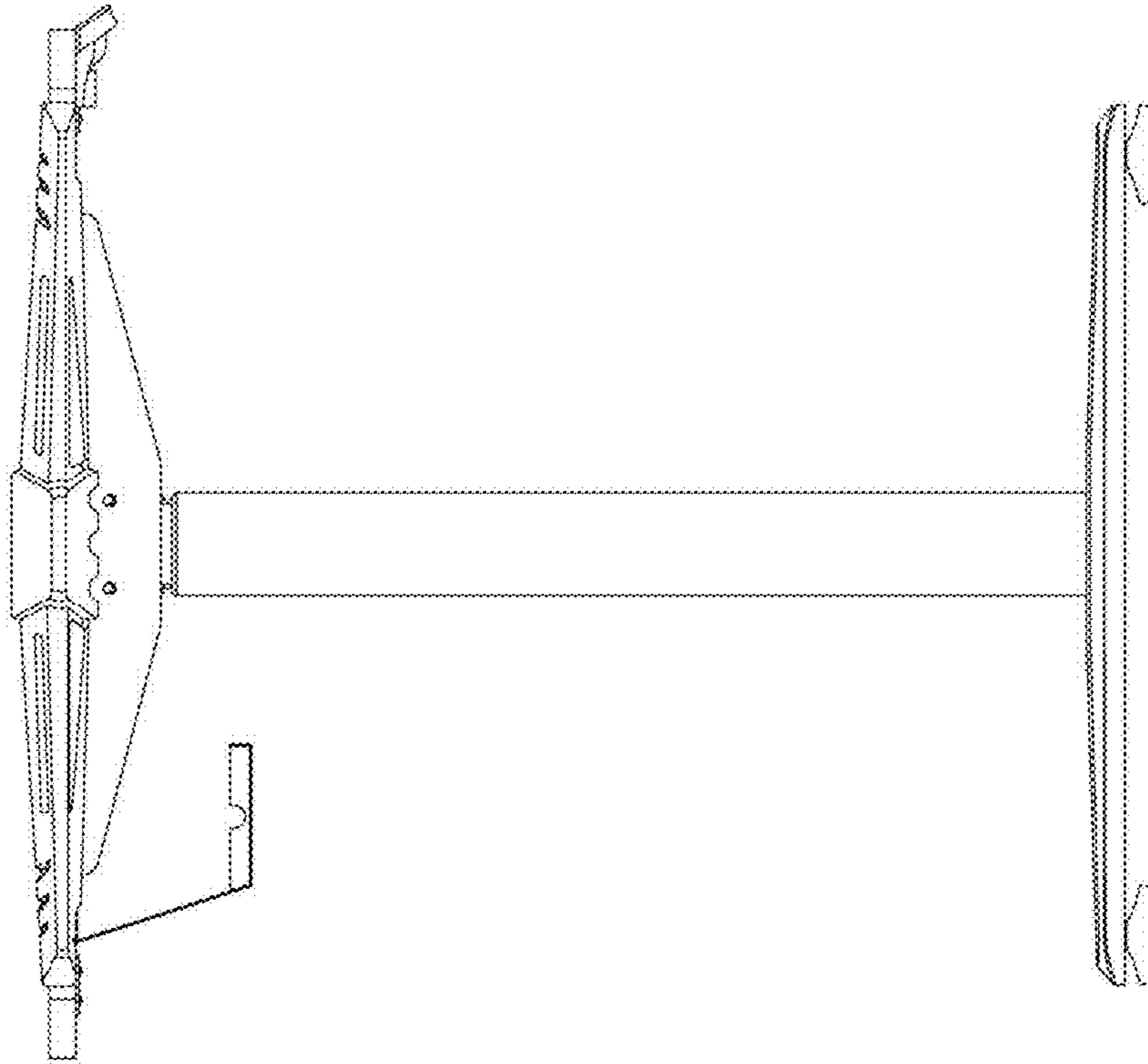


FIG. 6

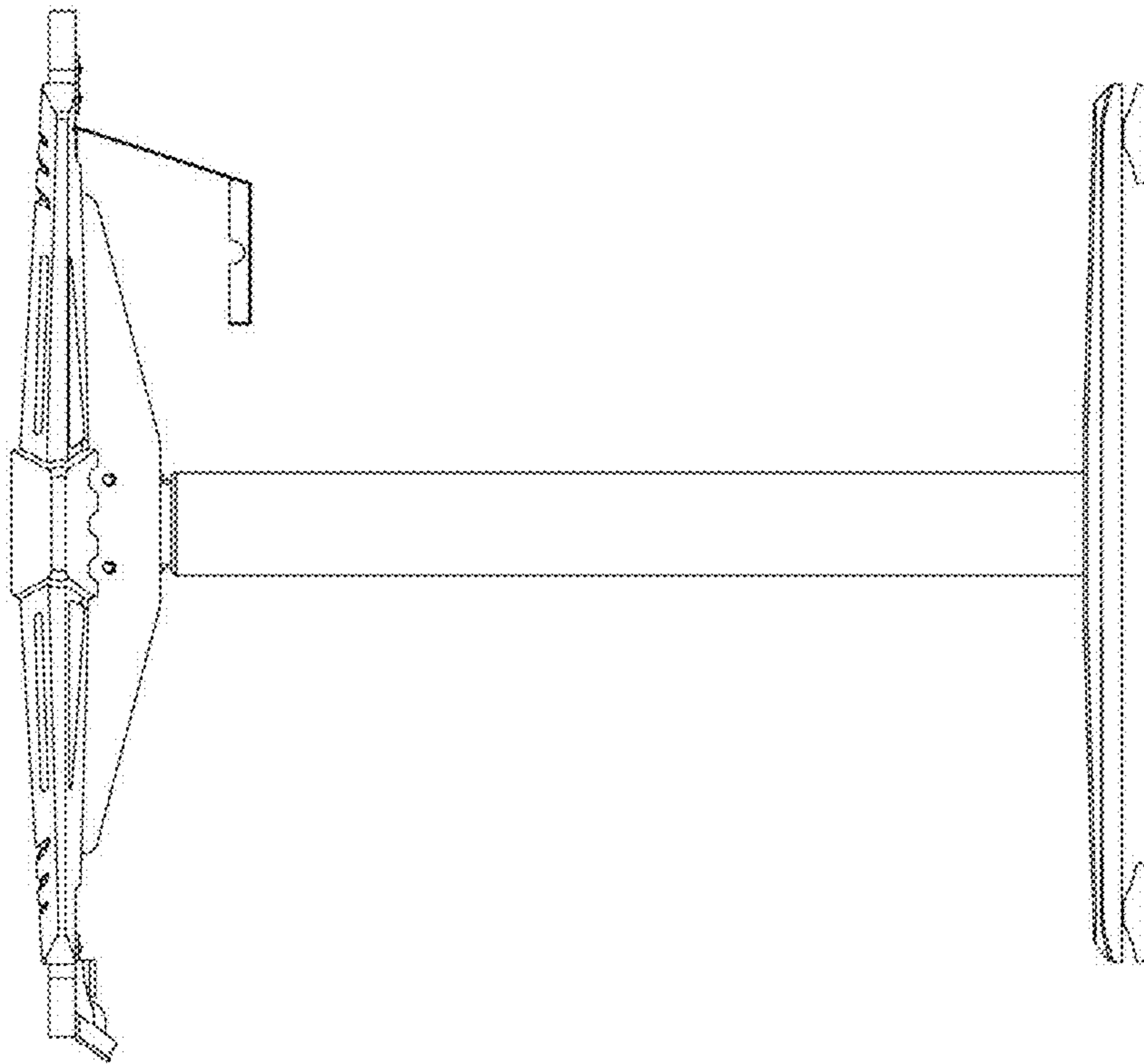
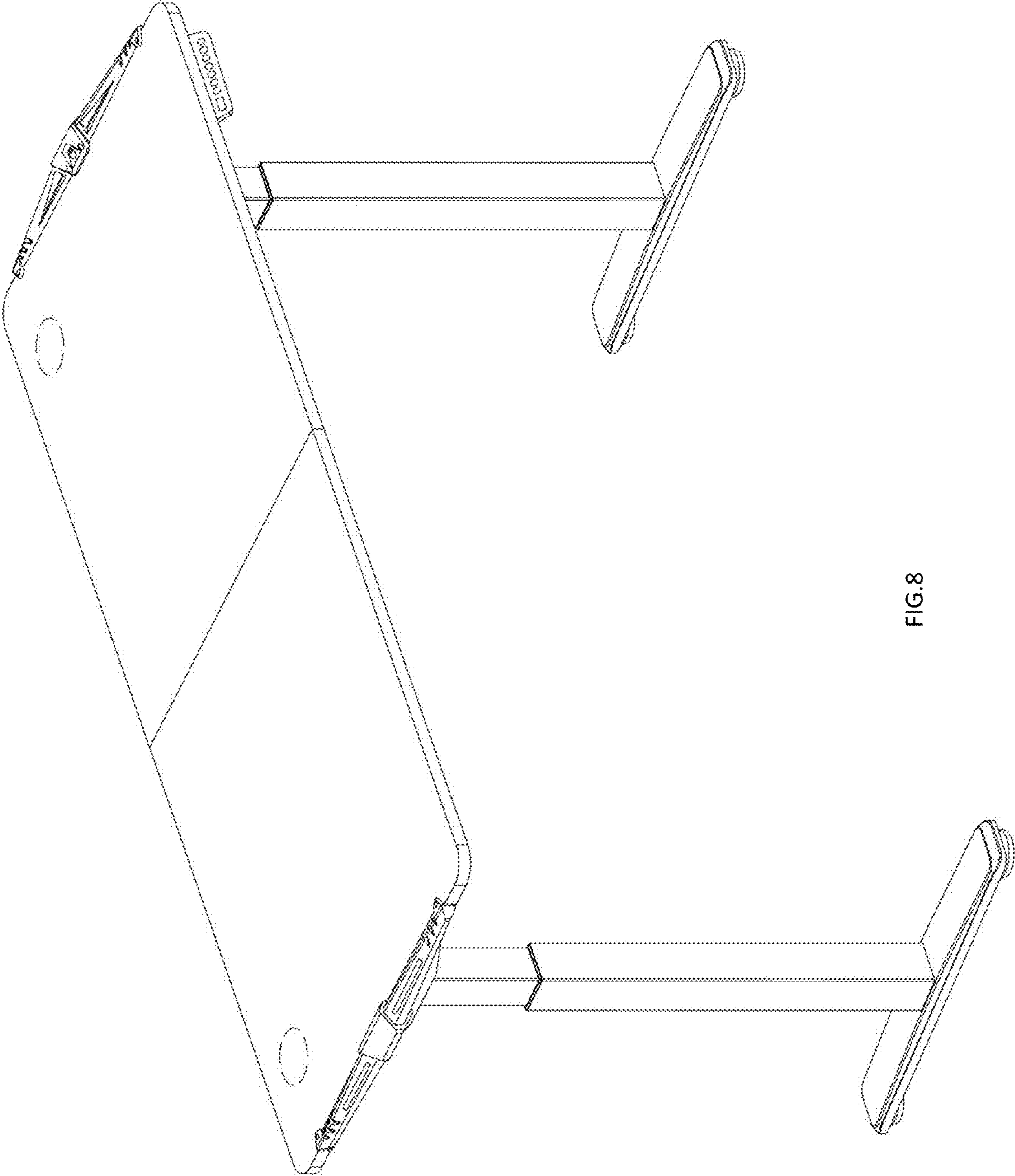


FIG. 7



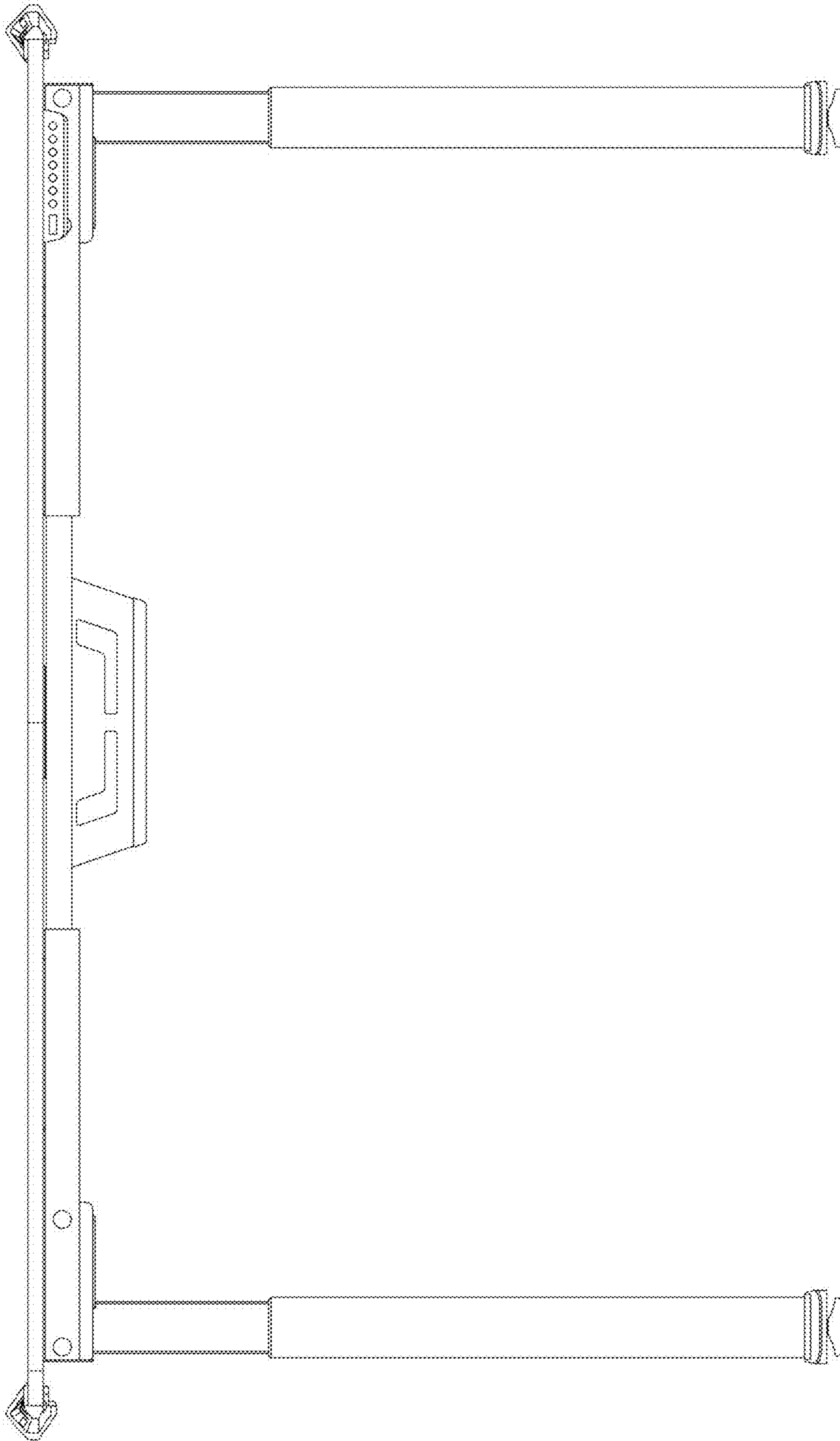


FIG. 9

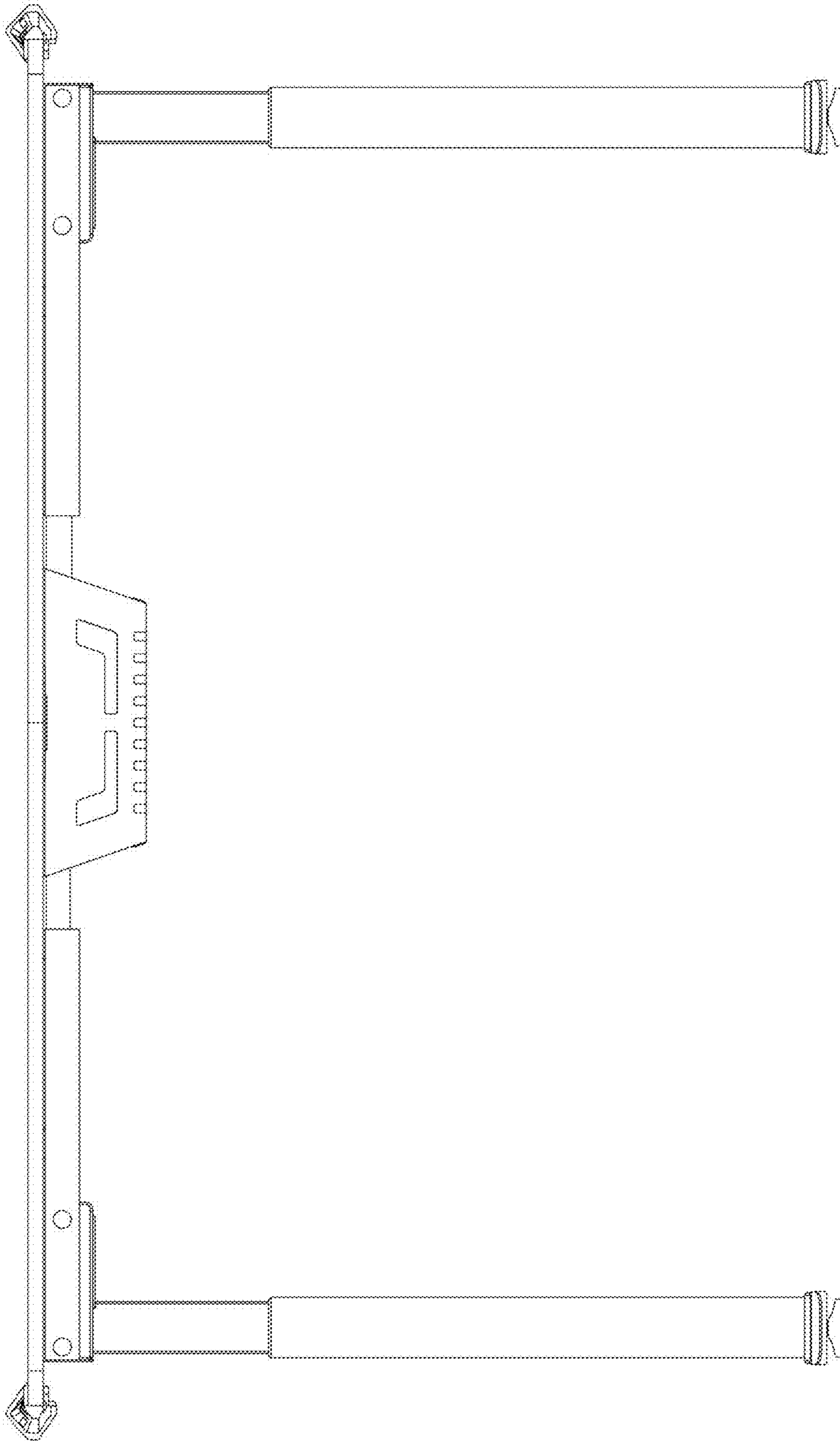


FIG.10

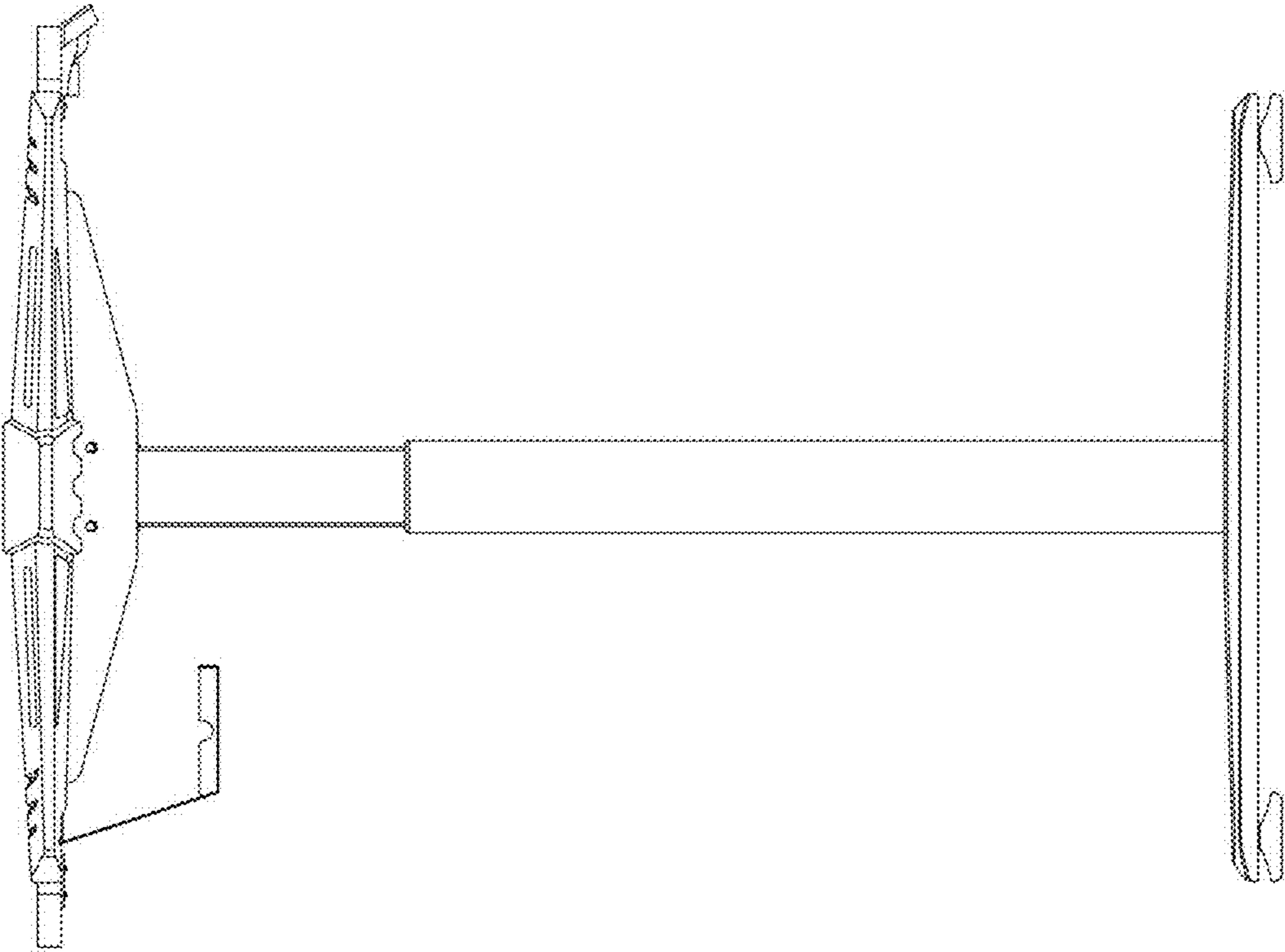


FIG.11

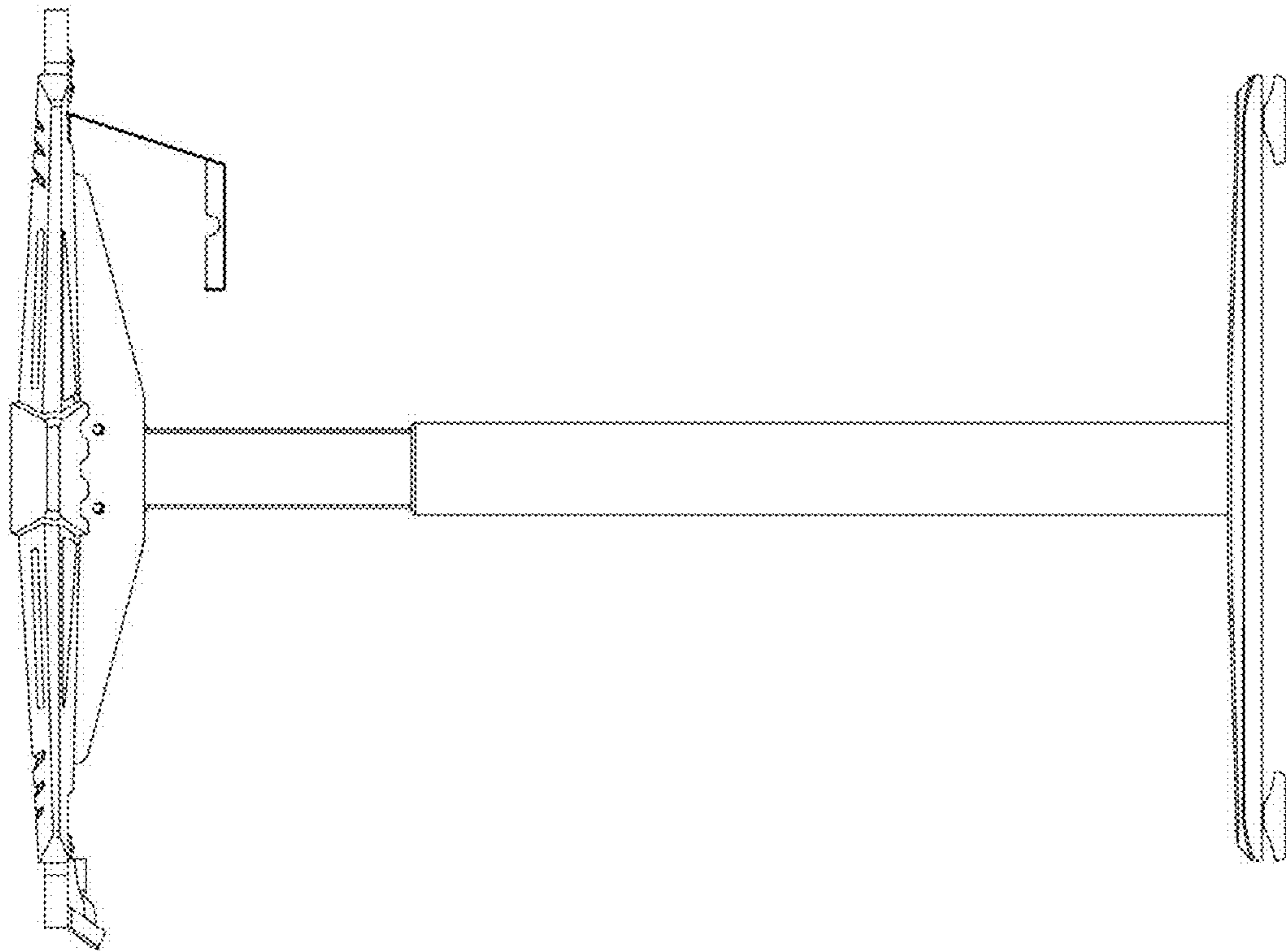


FIG.12