



US00D942187S

(12) **United States Design Patent** (10) **Patent No.:** **US D942,187 S**
Li (45) **Date of Patent:** **** Feb. 1, 2022**

(54) **DESK**
(71) Applicant: **Guangzhou MIGE Office Furniture Co., Ltd, Guangzhou (CN)**
(72) Inventor: **Junqin Li, Guangzhou (CN)**
(**) Term: **15 Years**
(21) Appl. No.: **29/763,182**
(22) Filed: **Dec. 21, 2020**
(51) **LOC (13) Cl.** **06-03**
(52) **U.S. Cl.**
USPC **D6/643; D6/656**
(58) **Field of Classification Search**
USPC D6/641-643, 655, 655.17, 656, 656.1, D6/656.11
CPC A47B 7/00; A47B 13/00; A47B 13/02; A47B 13/04; A47B 13/06; A47B 13/08; A47B 13/10; A47B 13/12; A47B 17/00; A47B 19/00; A47B 21/00; A47B 27/00; A47B 2200/0001; A47B 2200/0011; A47B 2200/002; A47B 2200/0016; A47B 2200/0066
See application file for complete search history.

(56) **References Cited**
U.S. PATENT DOCUMENTS
D234,485 S * 3/1975 Isles D6/656.16
D334,856 S * 4/1993 Sielaff D6/654

D336,394 S * 6/1993 Ball A47B 13/003 D6/656.13
D506,091 S * 6/2005 Cioncada D6/656
D826,599 S * 8/2018 Jahns D6/654.1
D845,037 S 4/2019 Min
D847,541 S 5/2019 Yamamoto
D899,154 S 10/2020 Huang
10,842,256 B2 * 11/2020 Ko A47B 13/06
D915,809 S * 4/2021 Ko D6/708
2020/0003241 A1 * 1/2020 Goettler A47B 13/003
2020/0221862 A1 * 7/2020 Ko A47B 3/12

* cited by examiner

Primary Examiner — Mary Ann Calabrese

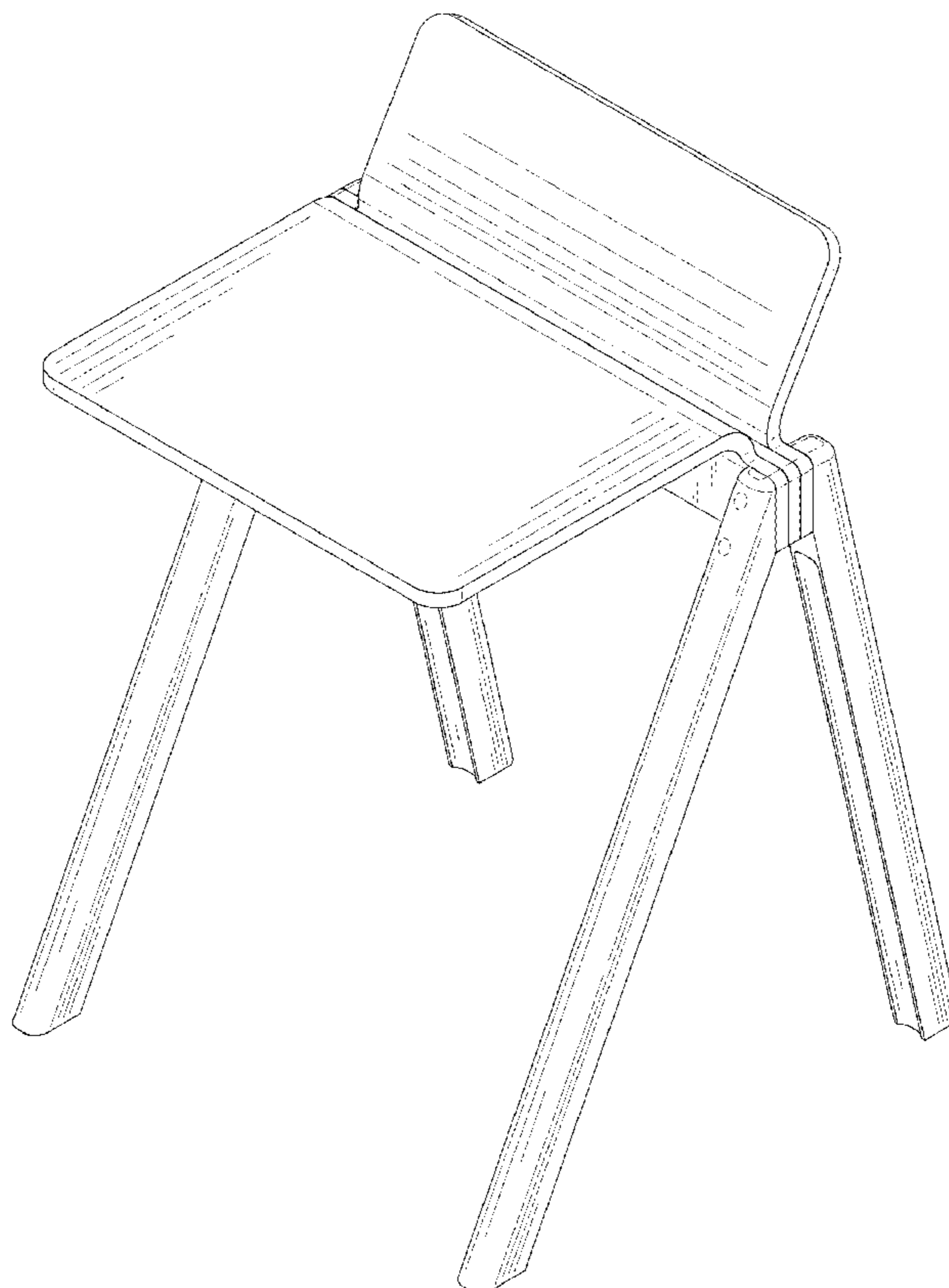
(57) **CLAIM**

The ornamental design for a desk, as shown and described.

DESCRIPTION

FIG. 1 is a top front perspective view of a desk showing my new design;
FIG. 2 is a bottom rear perspective thereof;
FIG. 3 is a front view thereof;
FIG. 4 is a back view thereof;
FIG. 5 is a left side view thereof;
FIG. 6 is a right side view thereof;
FIG. 7 is a top view thereof; and,
FIG. 8 is a bottom view thereof.
The broken lines shown in the drawings depict portions of the desk in which the design is embodied that form no part of the claimed design.

1 Claim, 8 Drawing Sheets



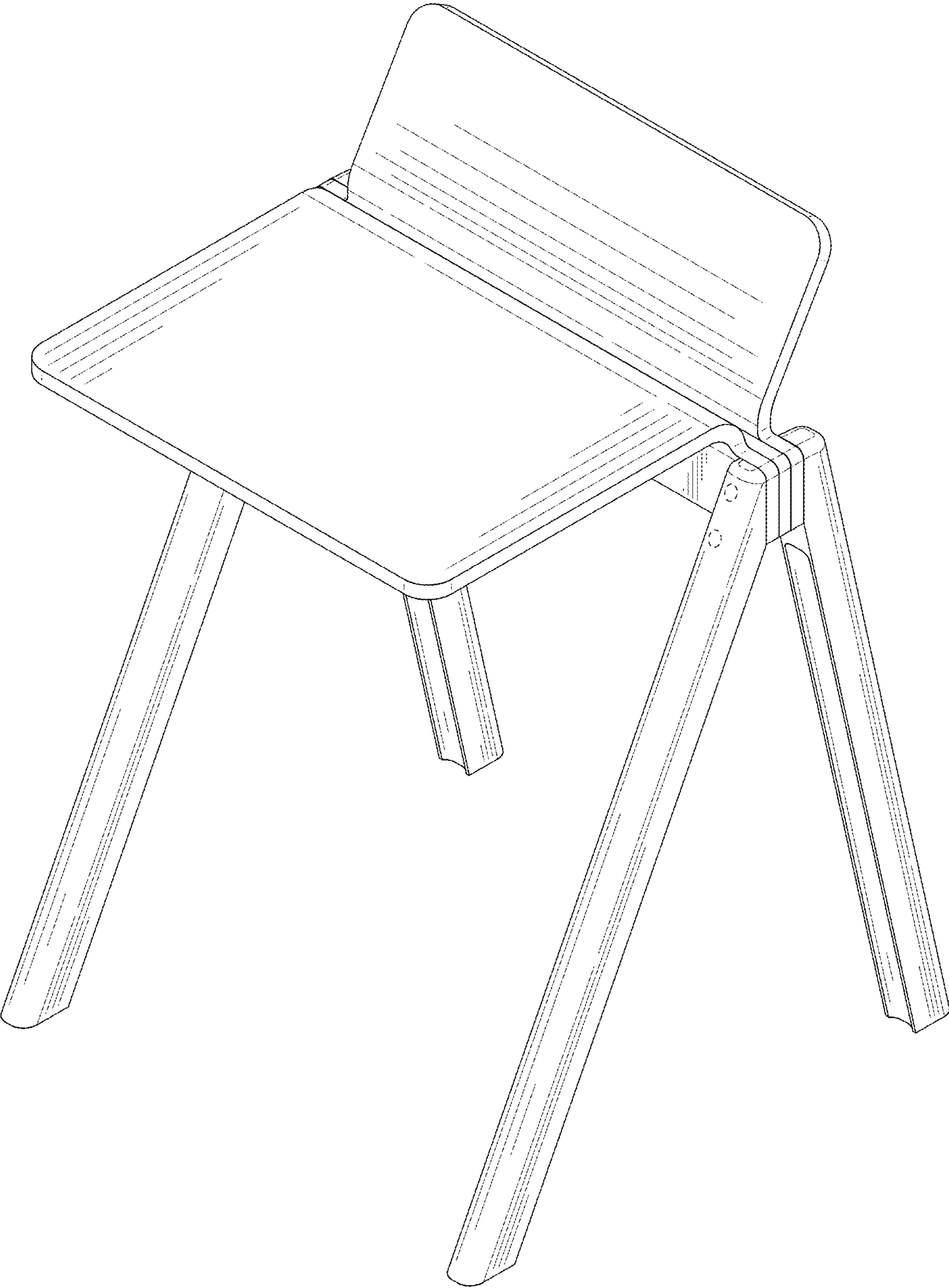


FIG. 1

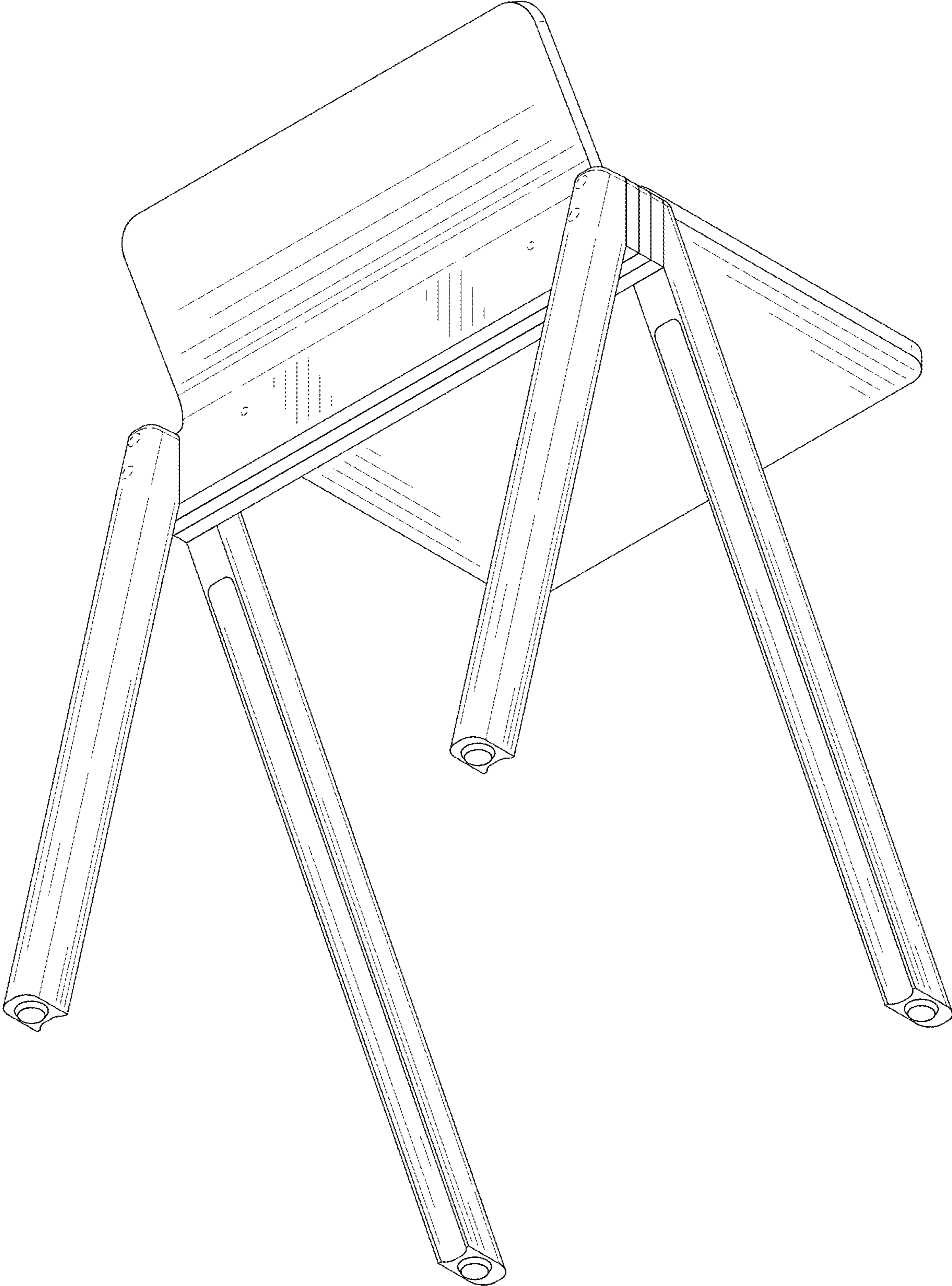


FIG. 2

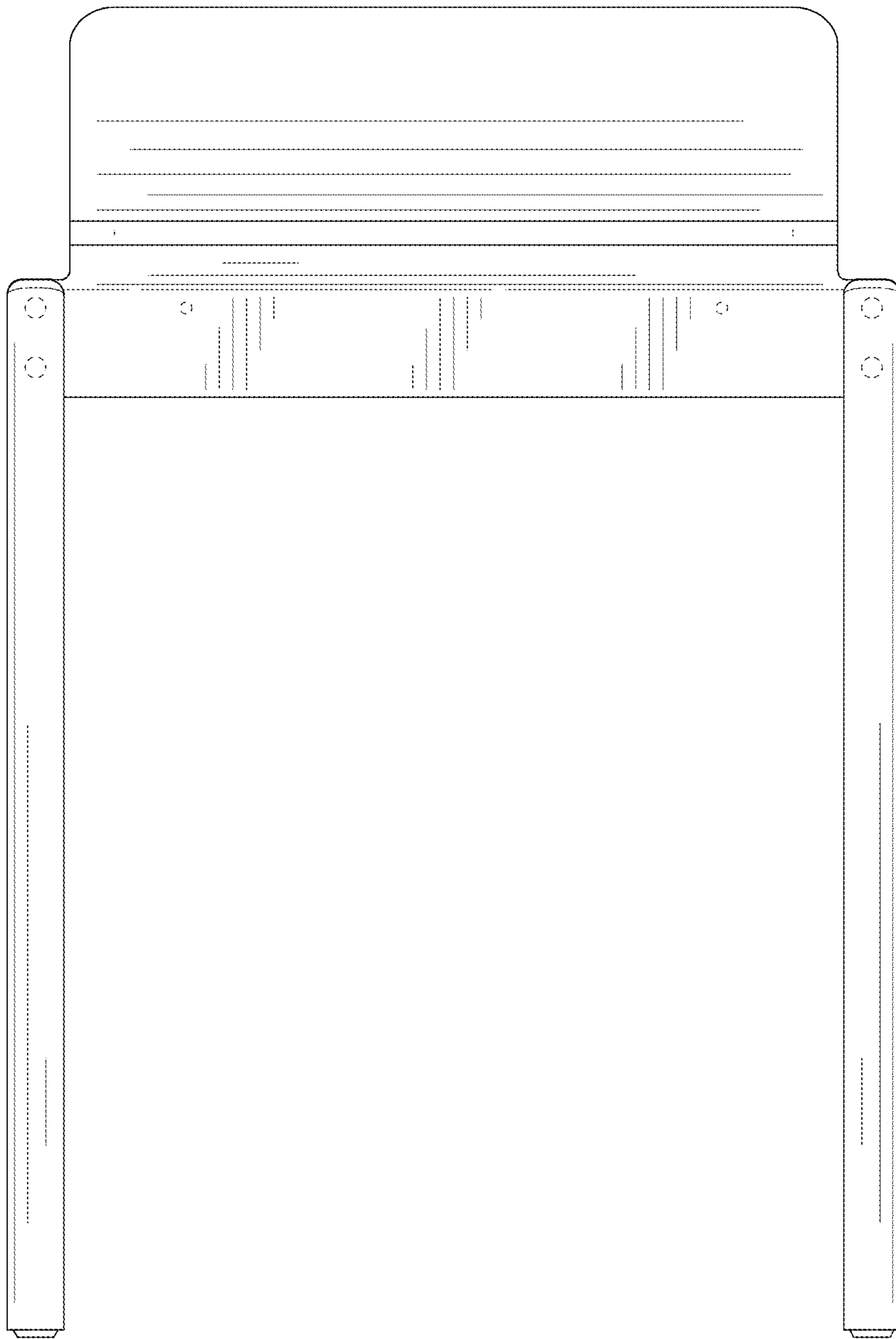


FIG. 3

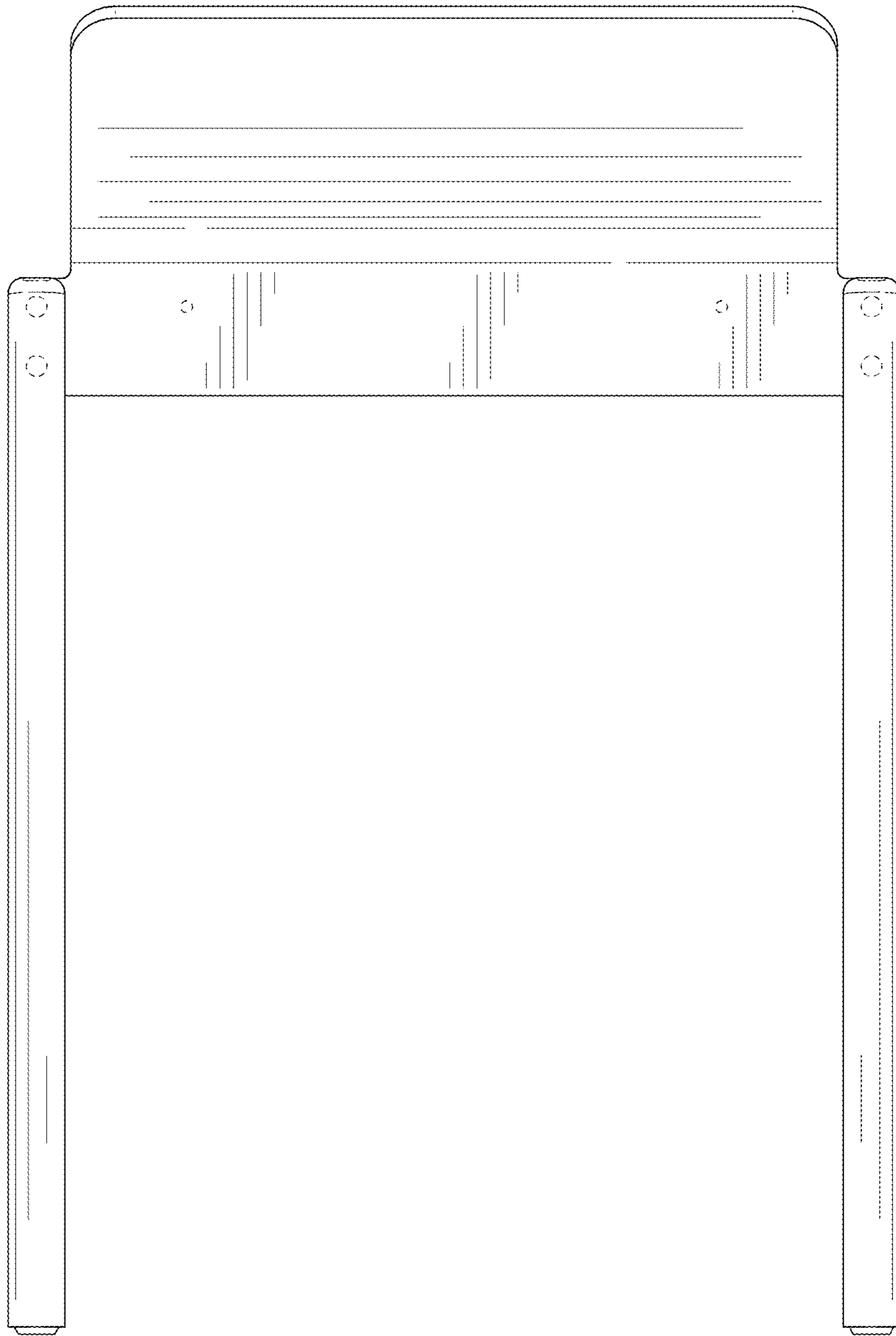


FIG. 4

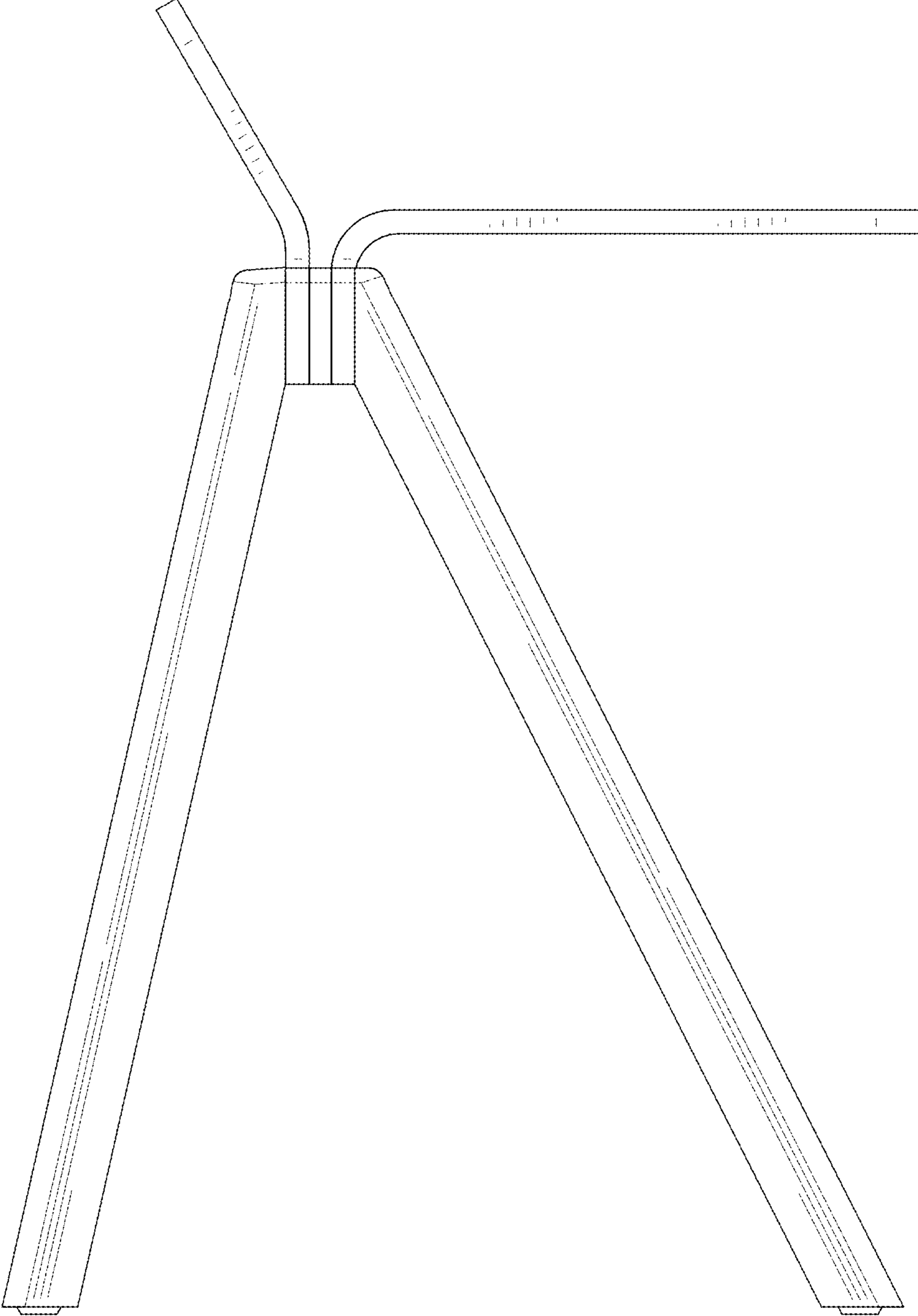


FIG. 5

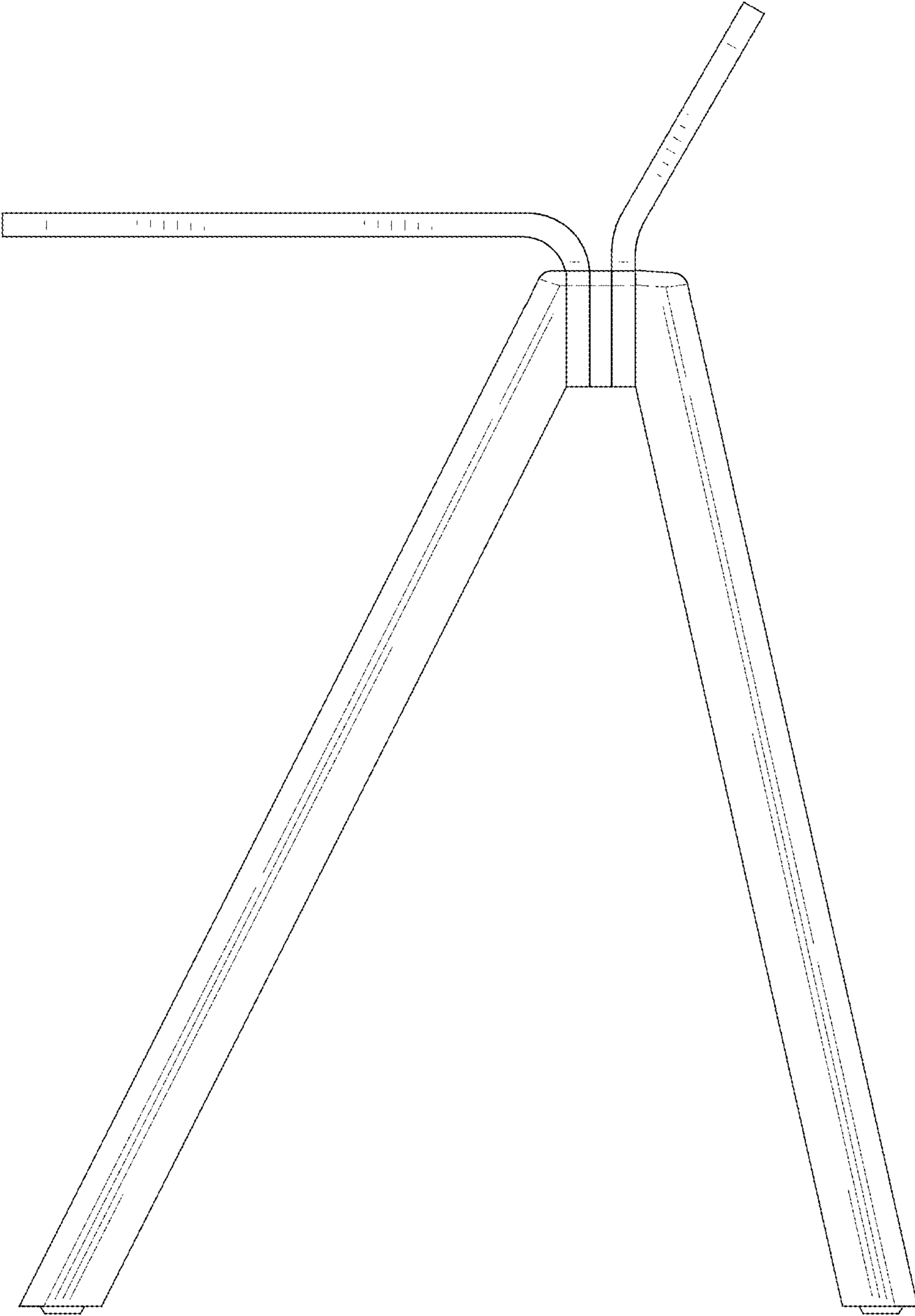


FIG. 6

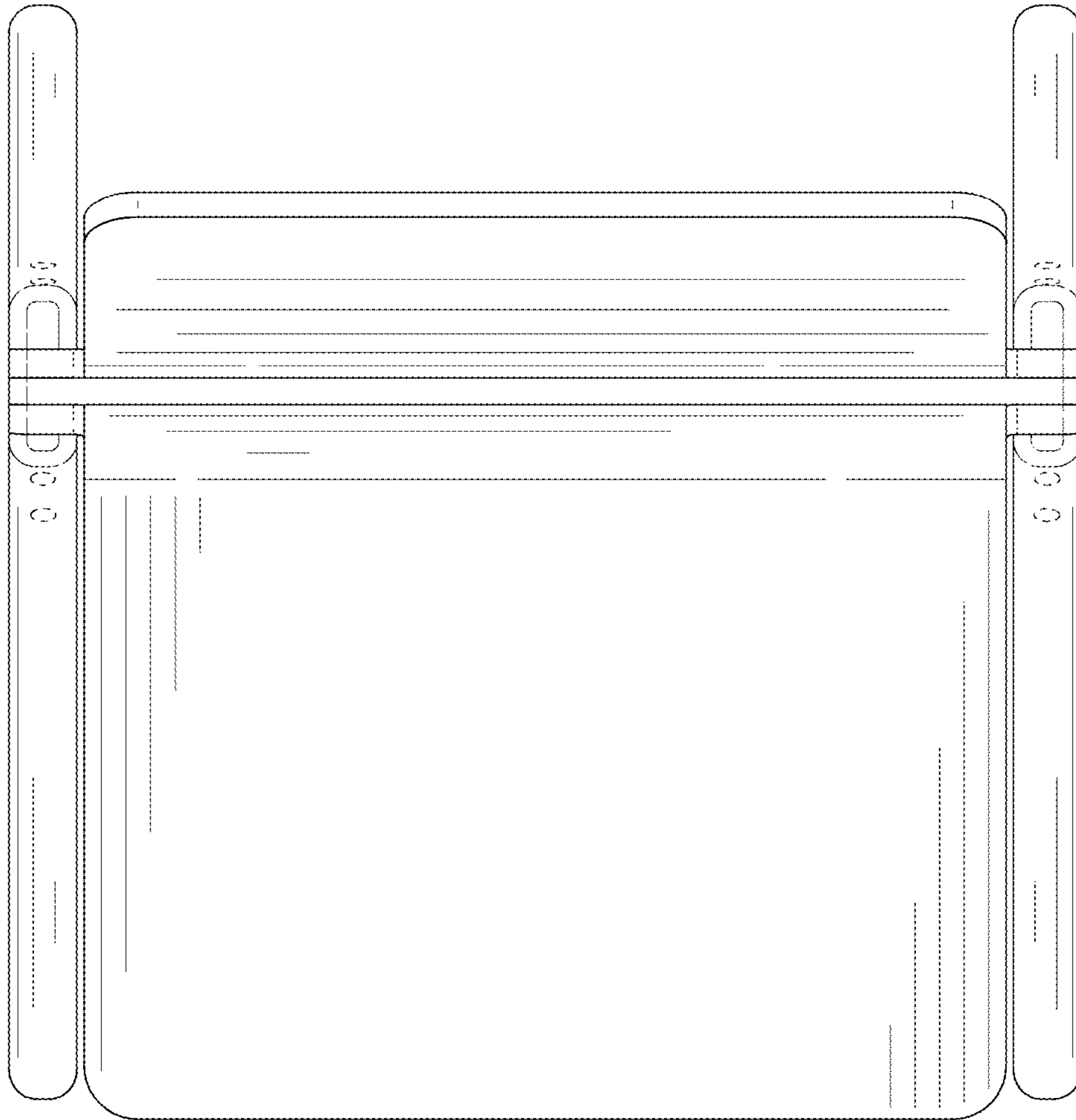


FIG. 7

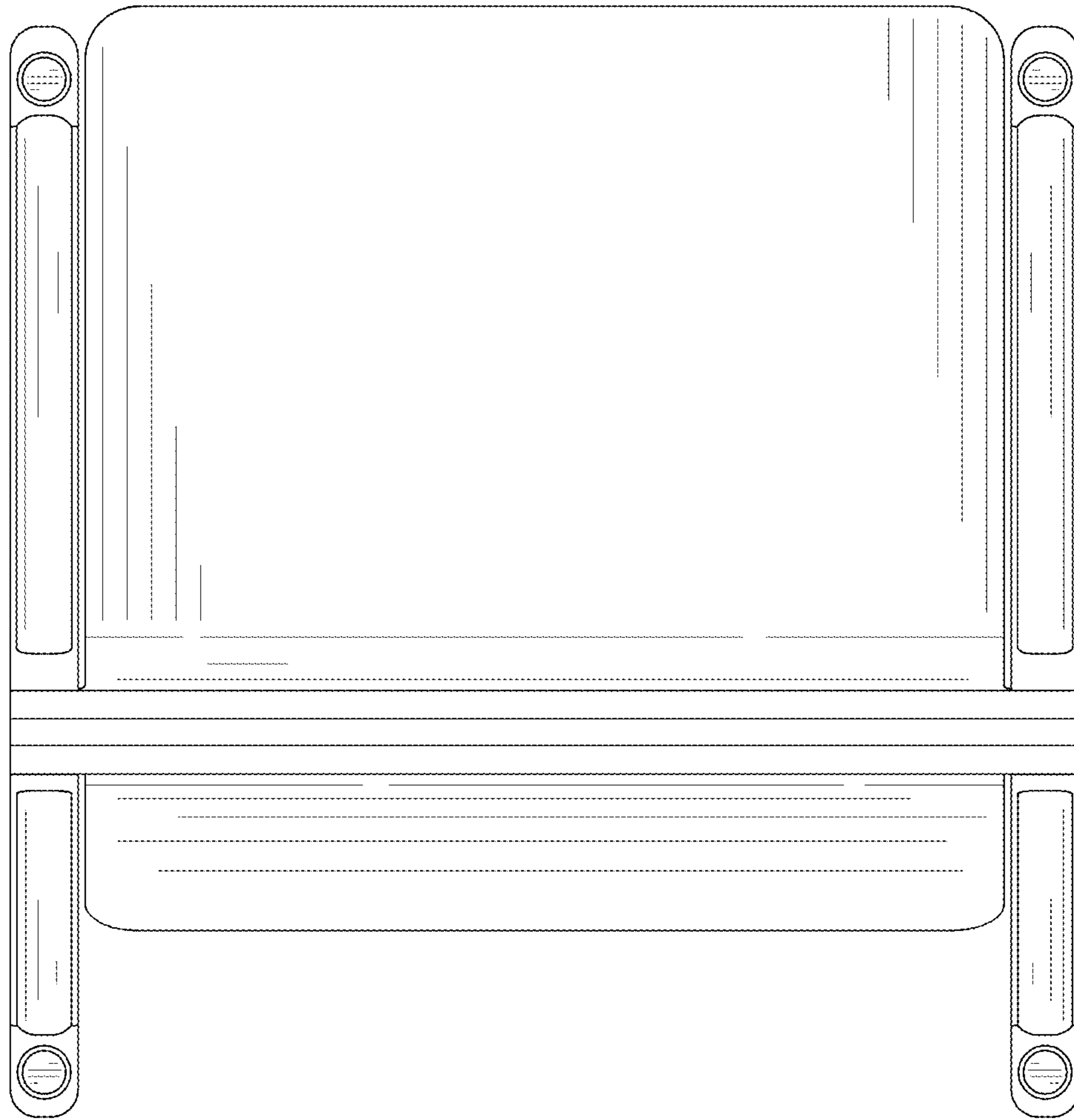


FIG. 8