



US00D942184S

(12) **United States Design Patent**
Wood

(10) **Patent No.:** **US D942,184 S**

(45) **Date of Patent:** **** Feb. 1, 2022**

(54) **BED SHEET**

(71) Applicant: **Melanie Joanne Wood**, Surrey (GB)

(72) Inventor: **Melanie Joanne Wood**, Surrey (GB)

(**) Term: **15 Years**

(21) Appl. No.: **29/654,718**

(22) Filed: **Jun. 27, 2018**

(51) **LOC (13) Cl.** **06-13**

(52) **U.S. Cl.**
USPC **D6/602**

(58) **Field of Classification Search**
USPC D6/595, 596, 597, 600, 601, 603, 604,
D6/605, 606, 608, 522, 546, 582, 583,
D6/602; D24/183, 185, 234; D21/803,
D21/804, 805, 809, 439, 440
CPC A47G 2009/1018; A47G 2009/003; A47G
9/0253; A47G 9/10; A47G 9/1027; A47G
9/1036; A47G 9/1054; A47G 9/1063;
A47G 9/1072; A47G 9/1081; A47G
9/109; A45F 4/06; A47C 21/06; A47C
7/18; A47C 20/00; A47C 17/80; A47C
17/82; A47C 17/64; A47C 27/00; A47C
27/14; A47C 23/00

See application file for complete search history.

(56) **References Cited**

U.S. PATENT DOCUMENTS

2,924,833 A 2/1960 Kloether
D212,149 S * 9/1968 Tuvert D2/719
3,601,826 A 8/1971 Smith
4,190,918 A * 3/1980 Harvell A47C 7/425
5/653
4,723,300 A * 2/1988 Aranow A45C 7/00
190/1
4,843,662 A * 7/1989 Handelman A47C 7/021
5/653
D308,454 S * 6/1990 Merli D6/596
D316,352 S * 4/1991 Anson D6/596

D317,841 S * 7/1991 Mendyk D6/602
D318,392 S * 7/1991 Edelson D6/601
D342,638 S * 12/1993 Harland 5/653
D376,946 S * 12/1996 Maxim D6/596
D416,160 S * 11/1999 Garcia, Sr. D6/595
D444,550 S * 7/2001 Cobbs D23/304
6,253,398 B1 7/2001 Yim
D484,350 S * 12/2003 Miller D6/368
D632,502 S * 2/2011 Gillespie D6/335
7,954,187 B1 * 6/2011 Earnest A61F 5/3723
5/494
D650,558 S * 12/2011 Ruse-Petersen D2/719
D651,032 S * 12/2011 Adkins D6/596
D698,587 S * 2/2014 Caines D6/602

(Continued)

FOREIGN PATENT DOCUMENTS

EP 0 596 151 A1 5/1994

OTHER PUBLICATIONS

Instagram: "Fidgetbumsleep" [site visited Jun. 5, 2021]: <https://www.instagram.com/fidgetbumsleep/> (Year: 2017).*

(Continued)

Primary Examiner — Sanjeev Paul
(74) *Attorney, Agent, or Firm* — Thomas|Horstemeyer,
LLP

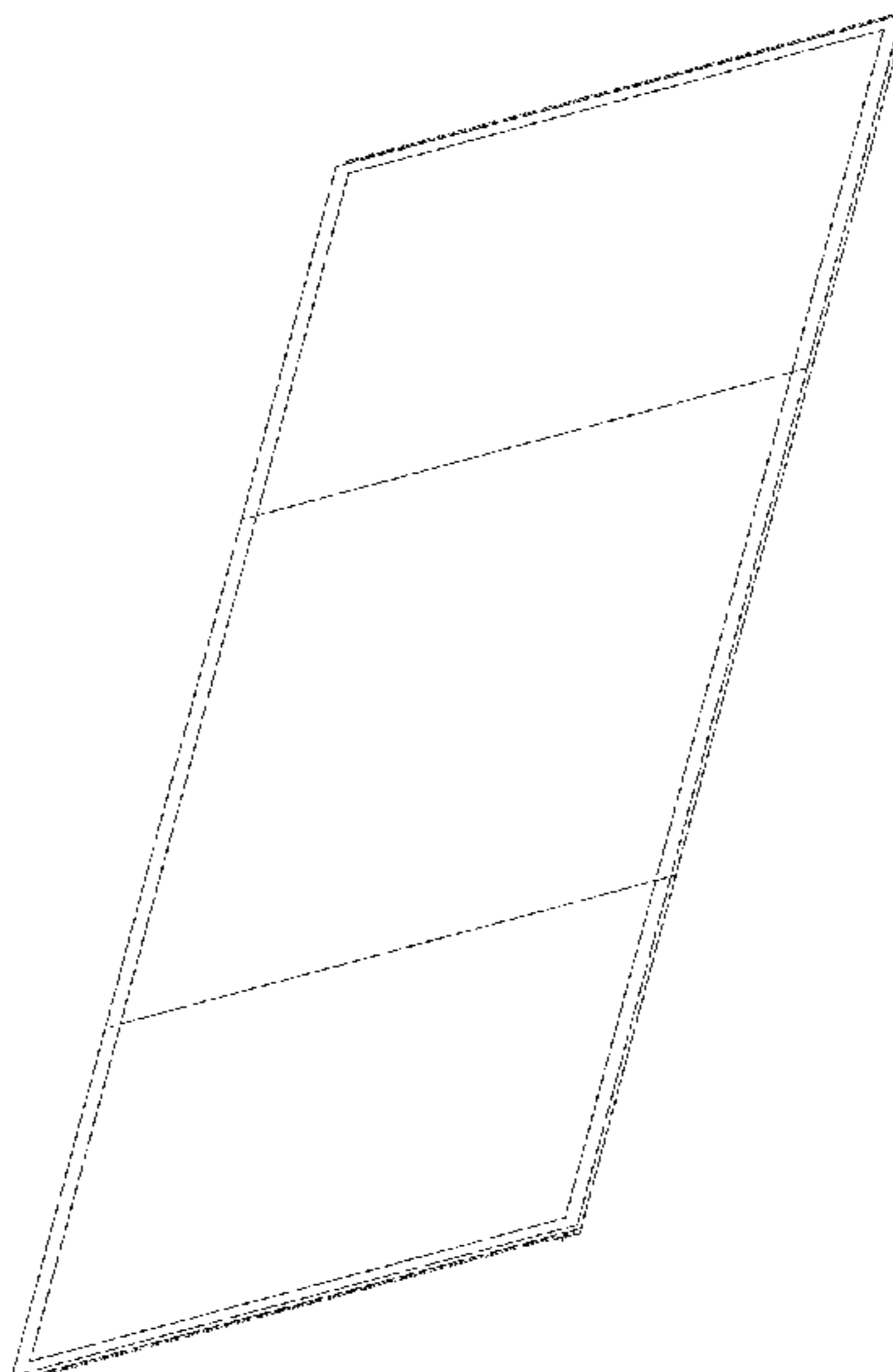
(57) **CLAIM**

The ornamental design for a bed sheet, as shown and described.

DESCRIPTION

FIG. 1 is a perspective view of the bed sheet;
FIG. 2 is a top view thereof;
FIG. 3 is a view from one side thereof;
FIG. 4 is a view from another side thereof;
FIG. 5 is a view from one end thereof; and,
FIG. 6 is a view from the other end thereof.

1 Claim, 6 Drawing Sheets



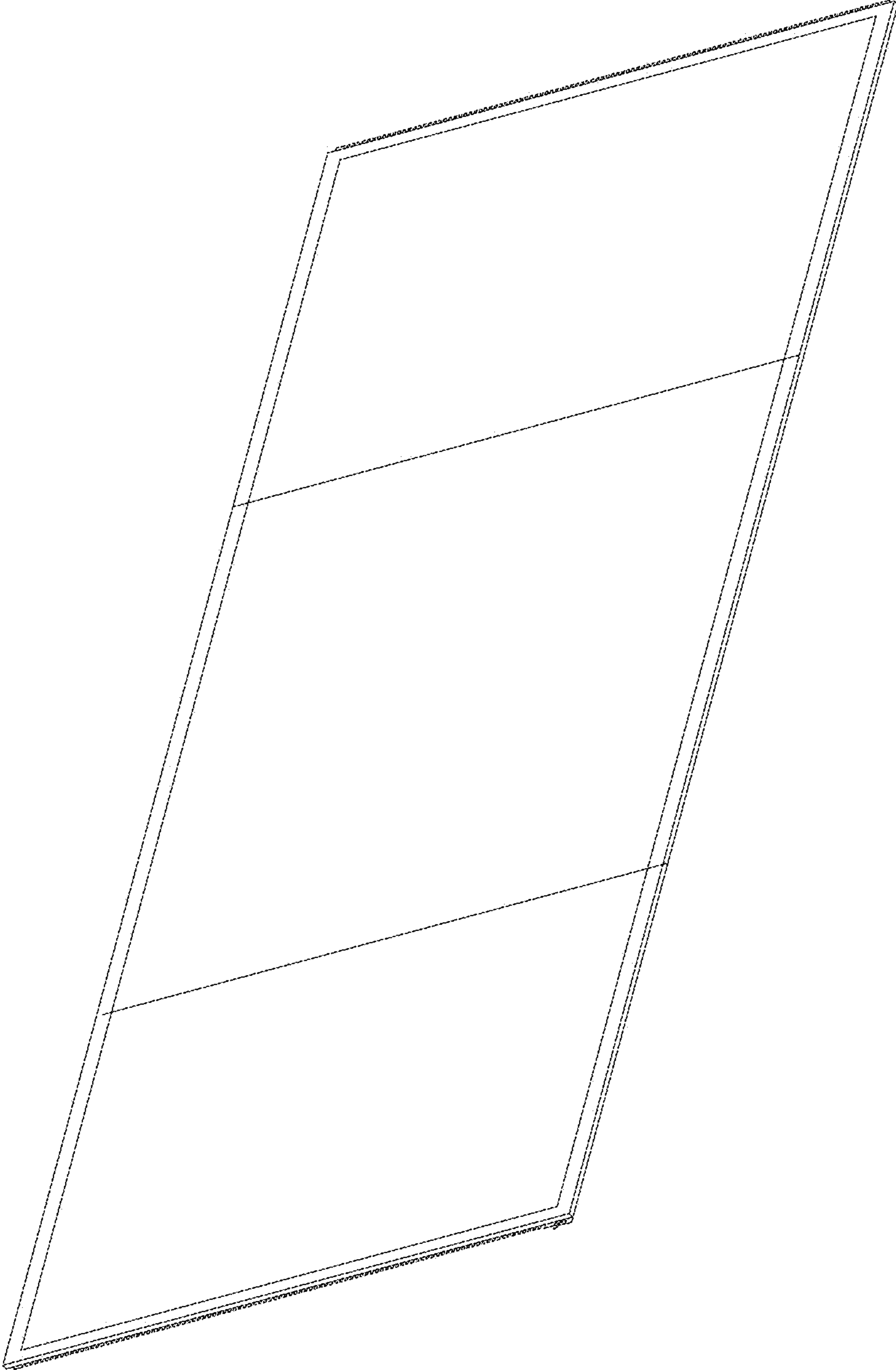


FIG. 1

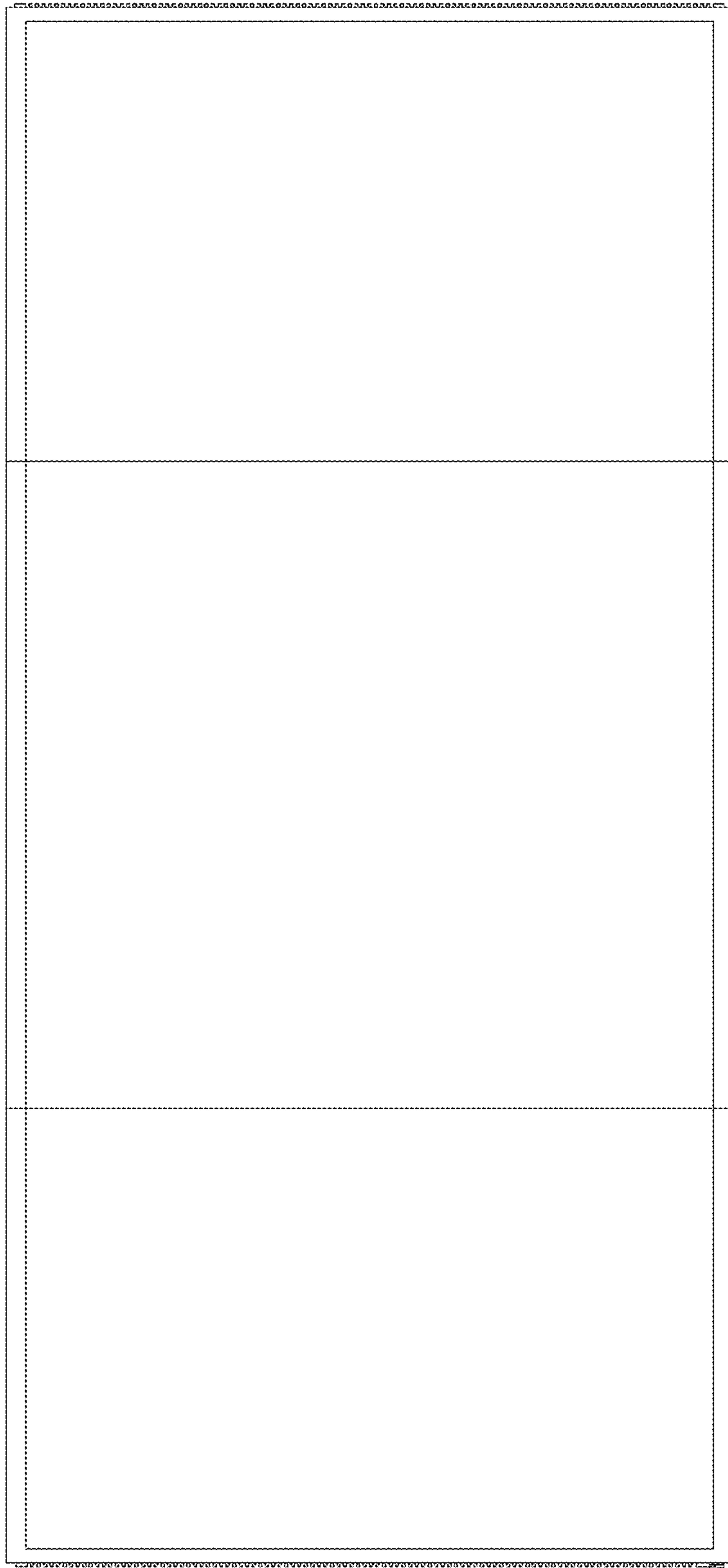


FIG. 2



FIG. 3



FIG. 4



FIG. 5

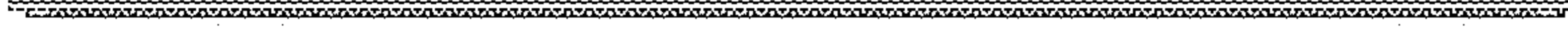


FIG. 6