



US00D942179S

(12) **United States Design Patent** (10) **Patent No.:** **US D942,179 S**  
**Qu** (45) **Date of Patent:** **\*\* Feb. 1, 2022**

(54) **PORTABLE ARMREST EXPANDER**

(71) Applicant: **Xiaohu Qu**, Liaocheng (CN)

(72) Inventor: **Xiaohu Qu**, Liaocheng (CN)

(\*\*) Term: **15 Years**

(21) Appl. No.: **29/710,882**

(22) Filed: **Oct. 28, 2019**

(30) **Foreign Application Priority Data**

Sep. 9, 2019 (CN) ..... 201930492914.8

(51) **LOC (13) Cl.** ..... **06-06**

(52) **U.S. Cl.**  
USPC ..... **D6/601**; D6/716.2

(58) **Field of Classification Search**  
USPC ..... D6/334-336, 364, 365, 366, 367, 374,  
D6/375, 376, 379, 716, 716.1, 716.2,  
D6/716.3, 716.4, 601  
CPC ..... B64D 11/06; B64D 11/0646; A47C 7/54;  
A47C 7/543; A47C 7/546  
See application file for complete search history.

(56) **References Cited**

**U.S. PATENT DOCUMENTS**

- D382,435 S \* 8/1997 Schaffner ..... D6/601
- D677,953 S \* 3/2013 McDonnell ..... A47C 7/546  
D6/716.3
- D768,409 S \* 10/2016 Park ..... D6/601
- D850,817 S \* 6/2019 Tong ..... D6/601
- D908,395 S \* 1/2021 David ..... D6/601

**OTHER PUBLICATIONS**

Airplane Armrest Pillow Inflatable Travel Pillow, Comfortable Armrest Extender, Washable Super Soft Slipcover, Portable Travel,

from aliexpress.com, Retrieved Date: Dec. 3, 2021, pp. 1, from [https://www.aliexpress.com/item/4000648234397.html?pdp\\_ext\\_f=%7B%22sku\\_id%22:%2210000005178890419%22,%22ship\\_from%22:%22CN%22%7D&gps-id=pcStoreJustForYou&scm=1007.23125.137358.0&scm\\_id=1007.23125.137358.0&scm-url=1007.23125.137358.0&pvid=60026663-3692-484f-beee-ae530d4da74d&spm=a2g0o.store\\_pc\\_home.smartJustForYou\\_345805980.14](https://www.aliexpress.com/item/4000648234397.html?pdp_ext_f=%7B%22sku_id%22:%2210000005178890419%22,%22ship_from%22:%22CN%22%7D&gps-id=pcStoreJustForYou&scm=1007.23125.137358.0&scm_id=1007.23125.137358.0&scm-url=1007.23125.137358.0&pvid=60026663-3692-484f-beee-ae530d4da74d&spm=a2g0o.store_pc_home.smartJustForYou_345805980.14) (Year: 2021).\*

\* cited by examiner

*Primary Examiner* — Mimososa De

(74) *Attorney, Agent, or Firm* — Bayramoglu Law Offices LLC

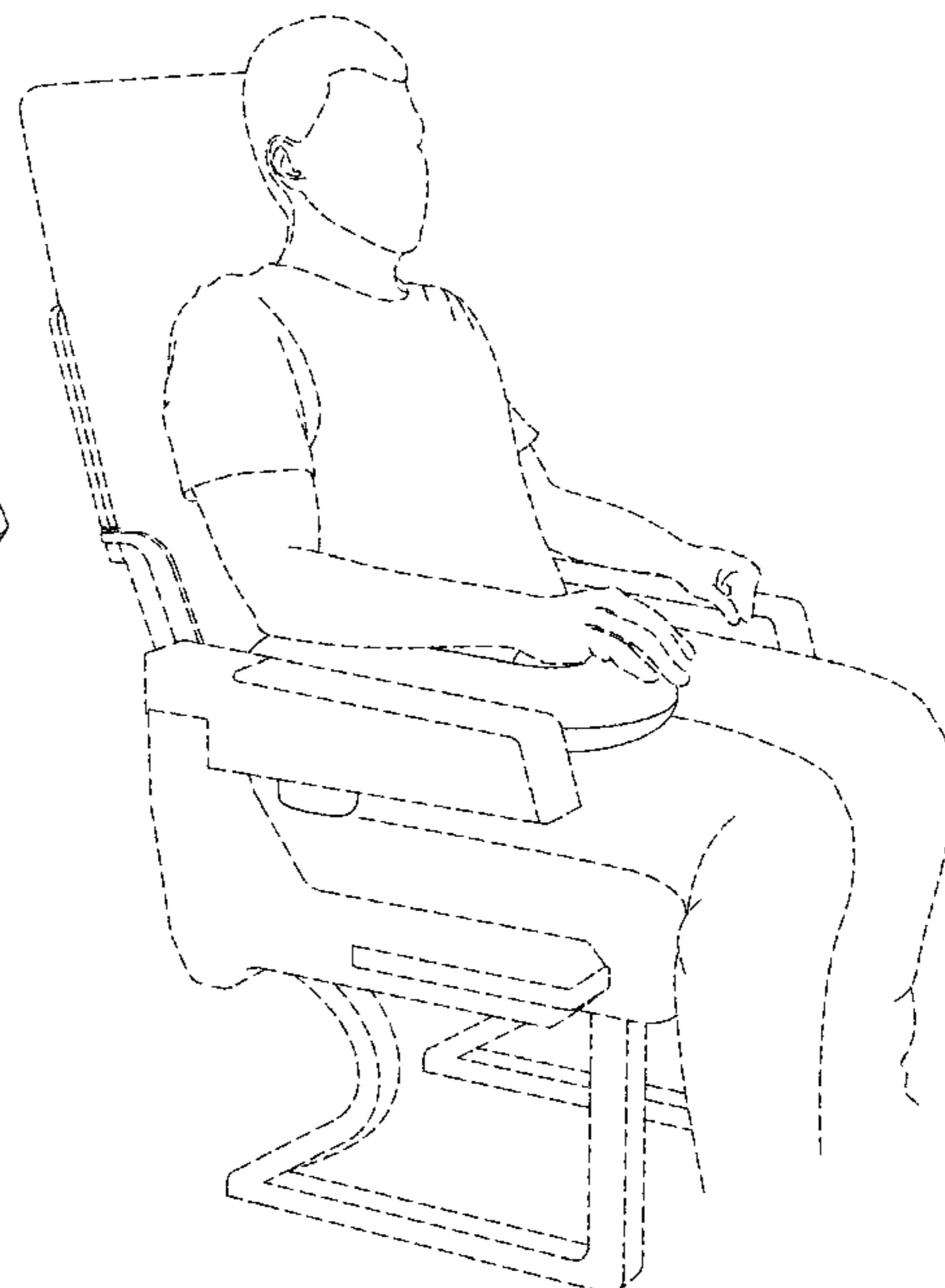
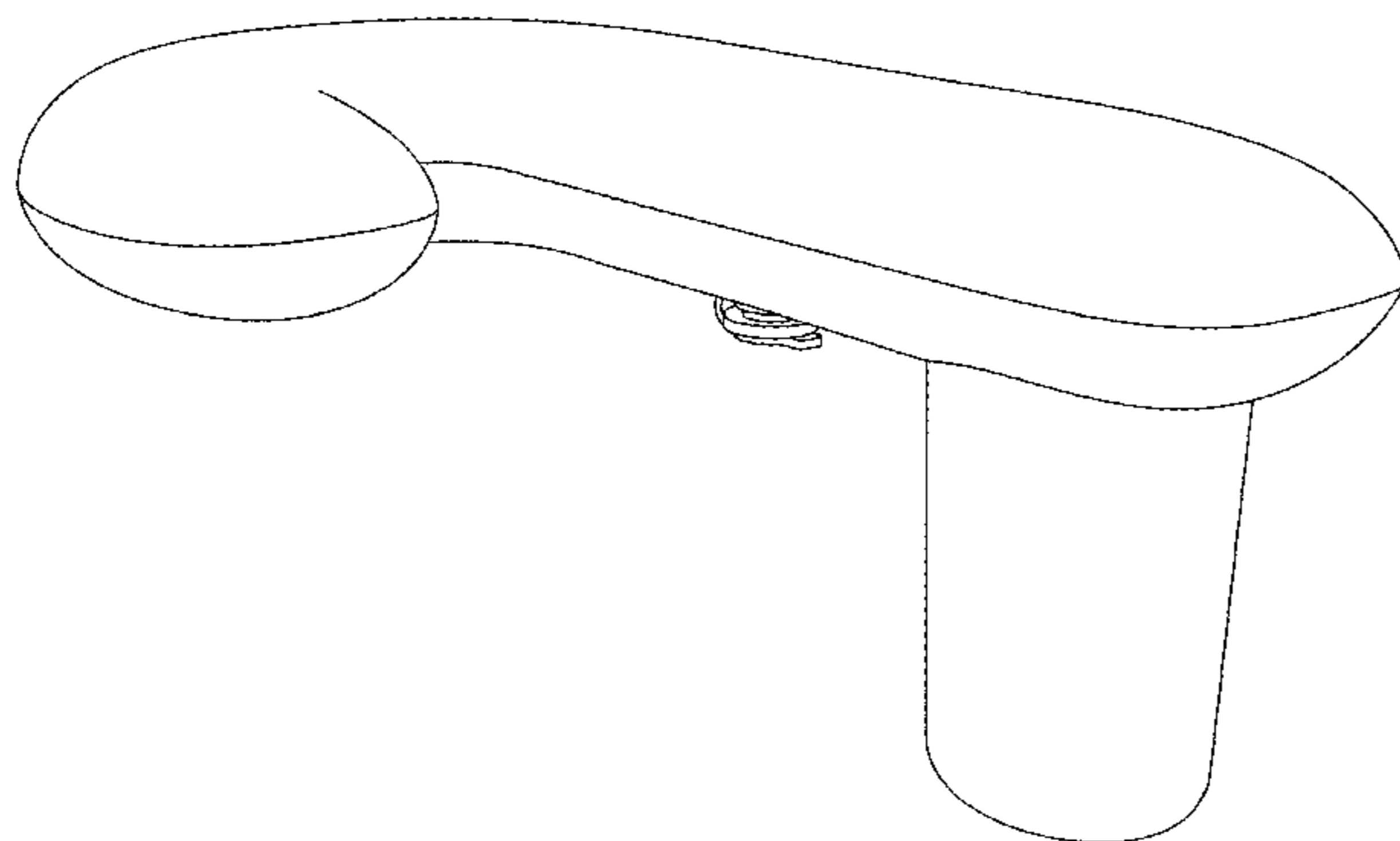
(57) **CLAIM**

The ornamental design for a portable armrest expander, as shown and described.

**DESCRIPTION**

FIG. 1 is a bottom plan view of a portable armrest expander showing my new design;  
FIG. 2 is a front elevational view thereof;  
FIG. 3 is a left side elevational view thereof;  
FIG. 4 is a front perspective view thereof;  
FIG. 5 is a rear perspective view thereof;  
FIG. 6 is a rear elevational view thereof;  
FIG. 7 is a right side elevational view thereof;  
FIG. 8 is a top plan view thereof;  
FIG. 9 is a perspective view thereof showing an unused state; and,  
FIG. 10 is a perspective view thereof showing a use state. The broken line showing of the chair and person is for the purpose of illustrating the environmental structure and forms no part of the claimed design.

**1 Claim, 10 Drawing Sheets**



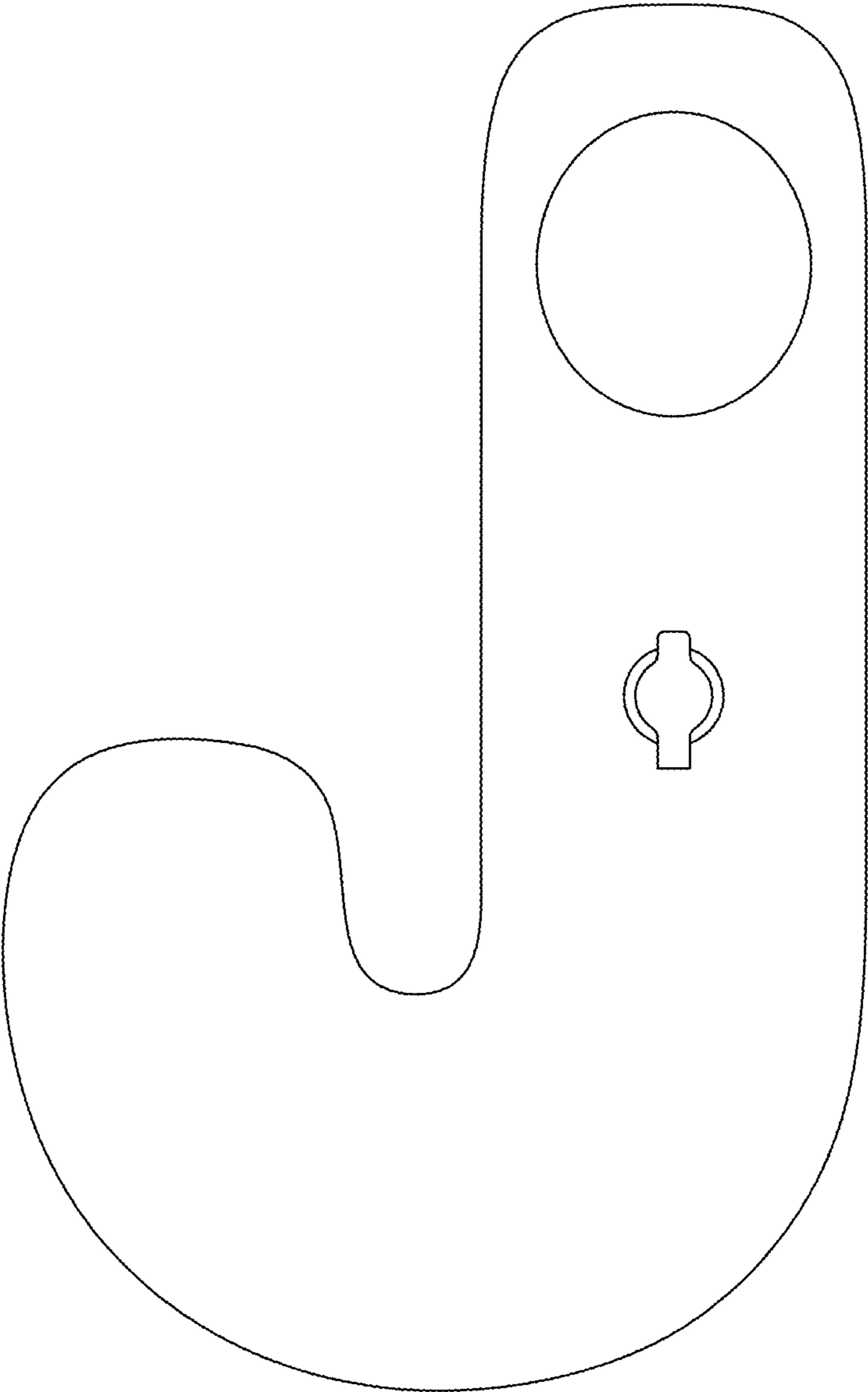


FIG. 1

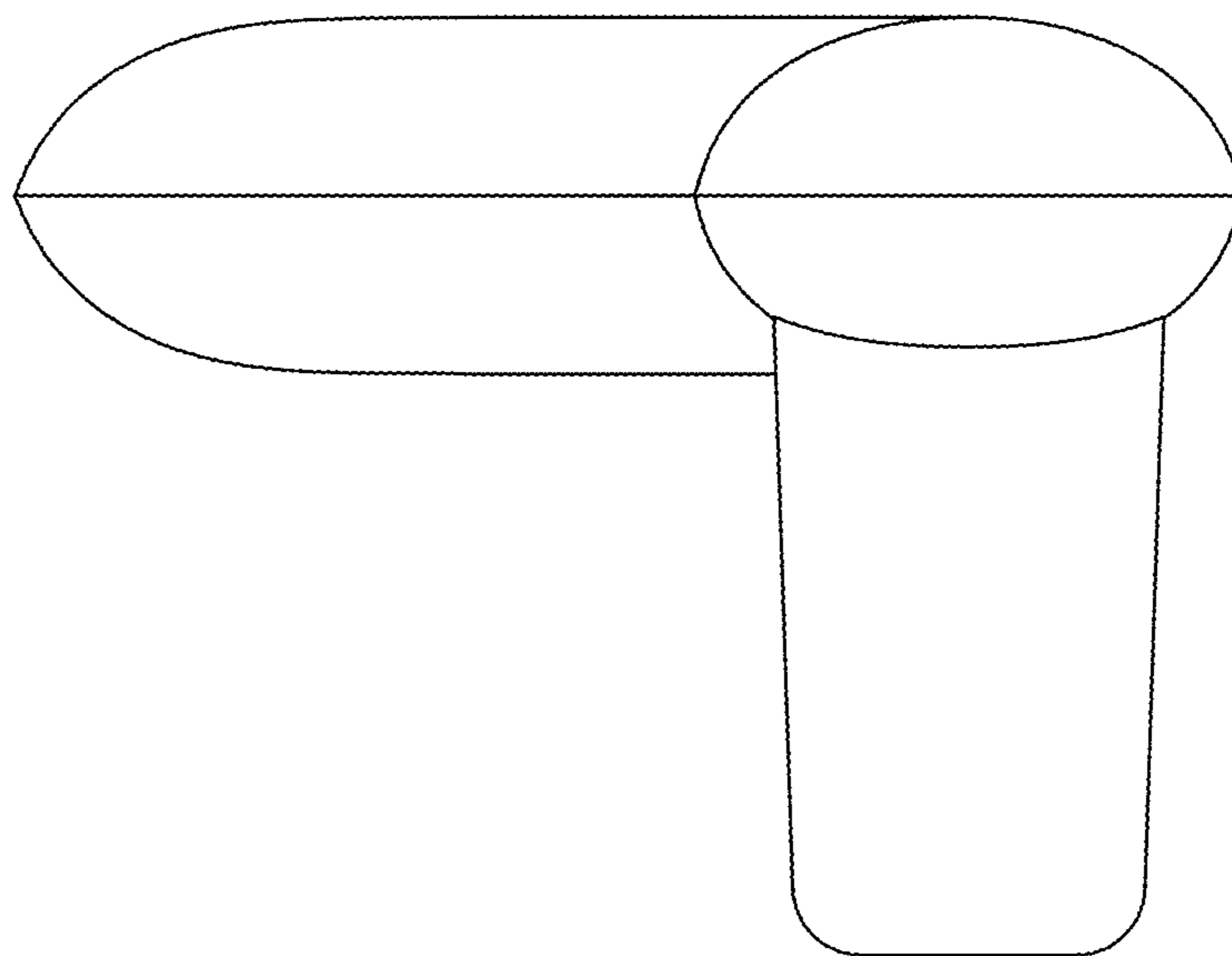


FIG. 2

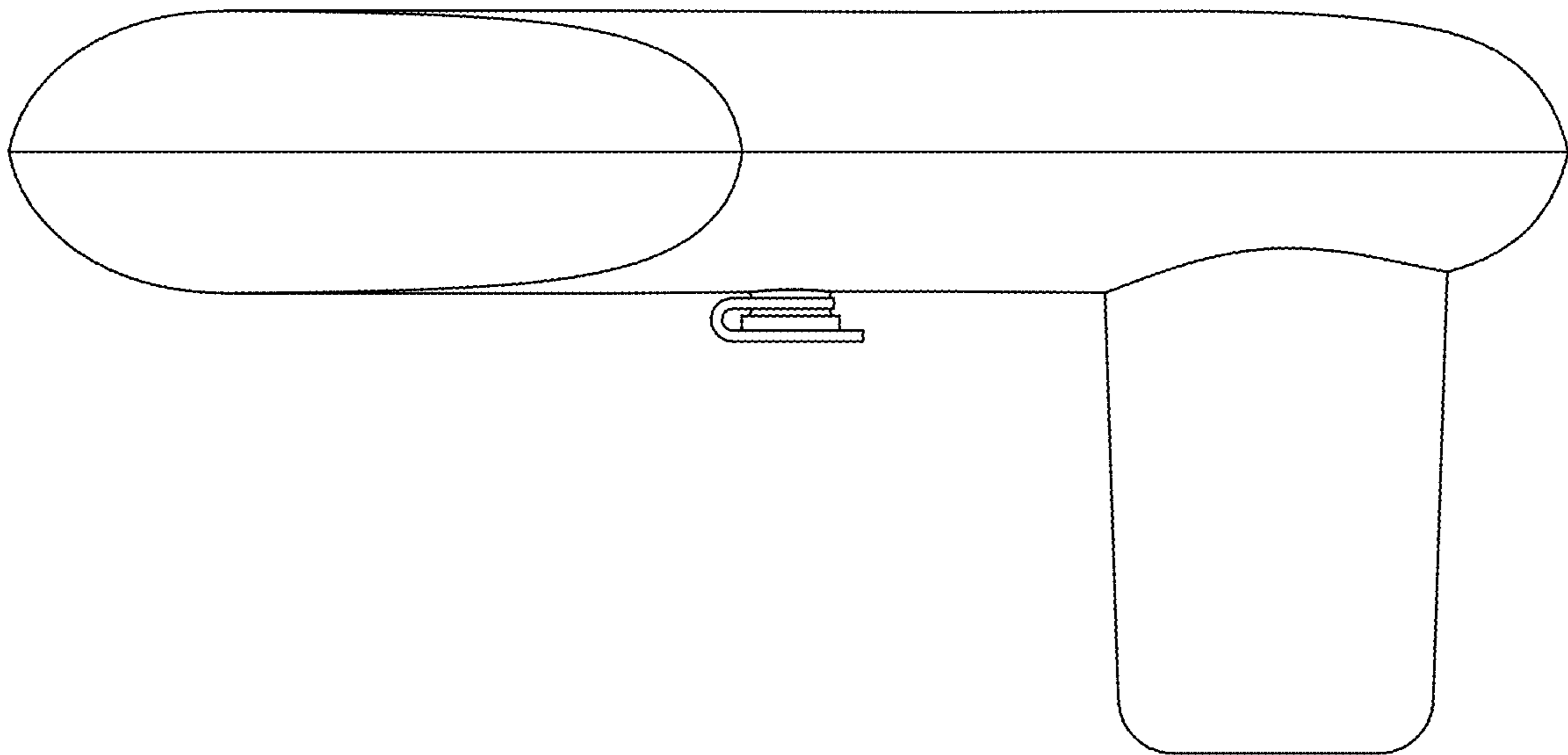


FIG. 3

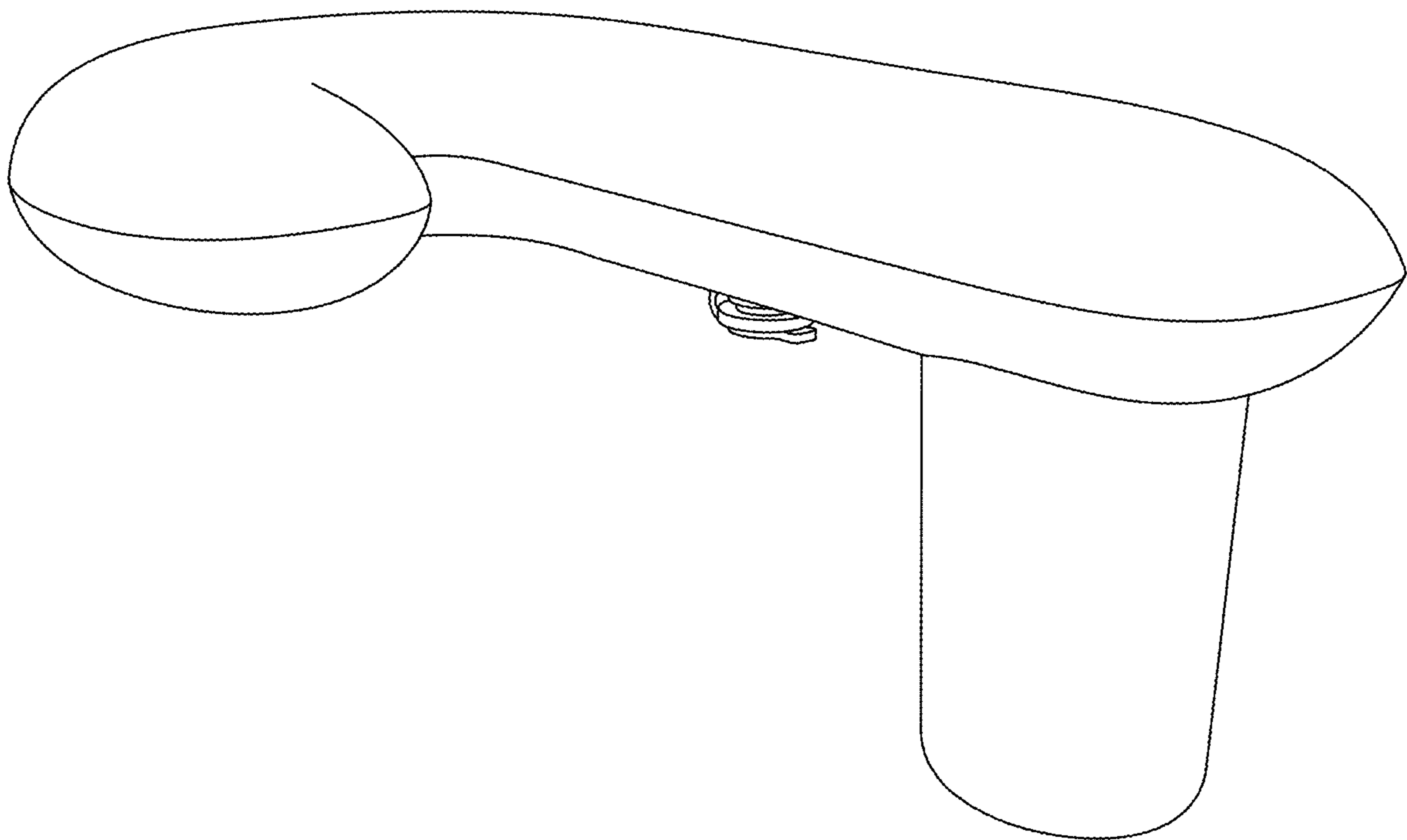


FIG. 4

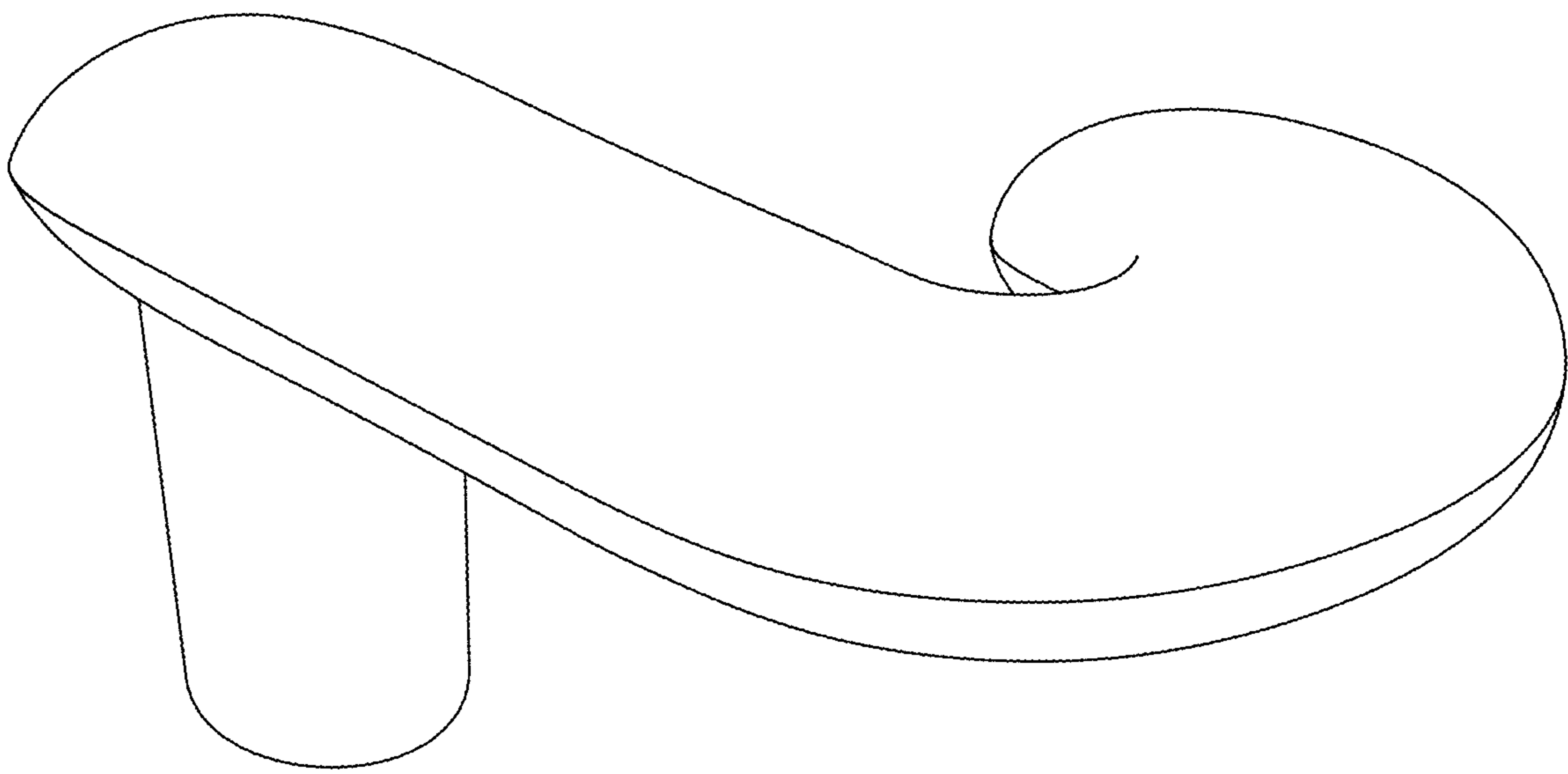


FIG. 5

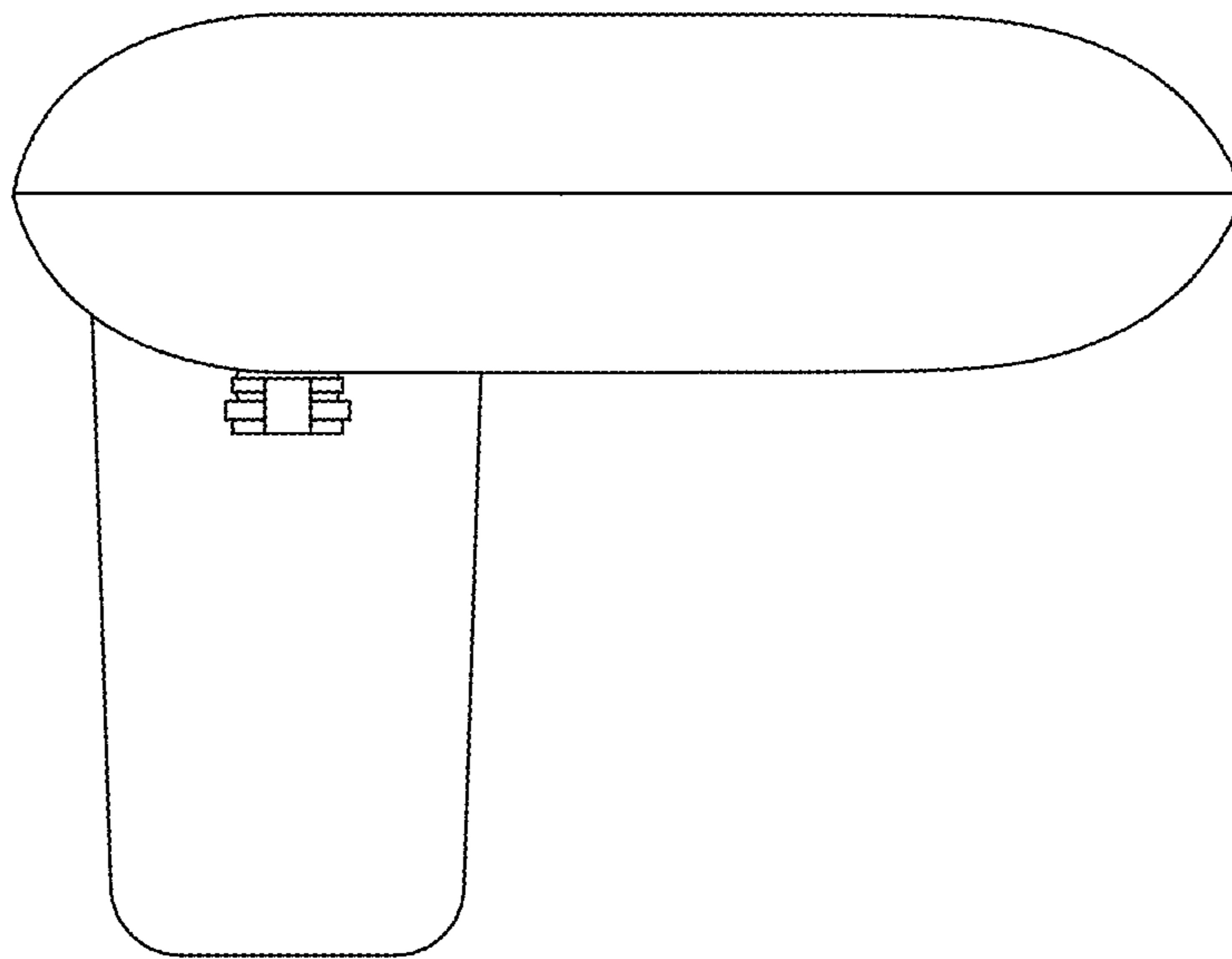


FIG. 6

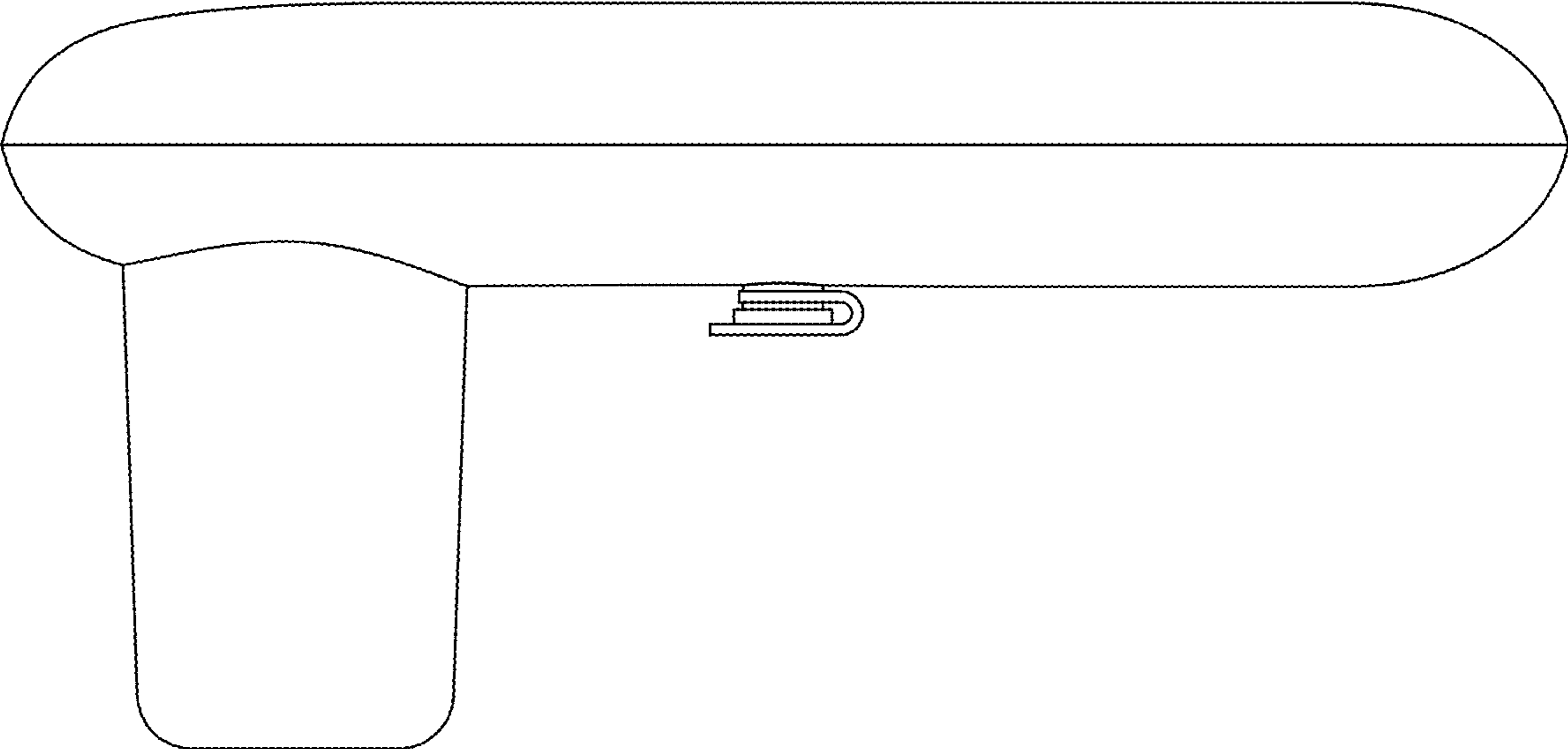


FIG. 7



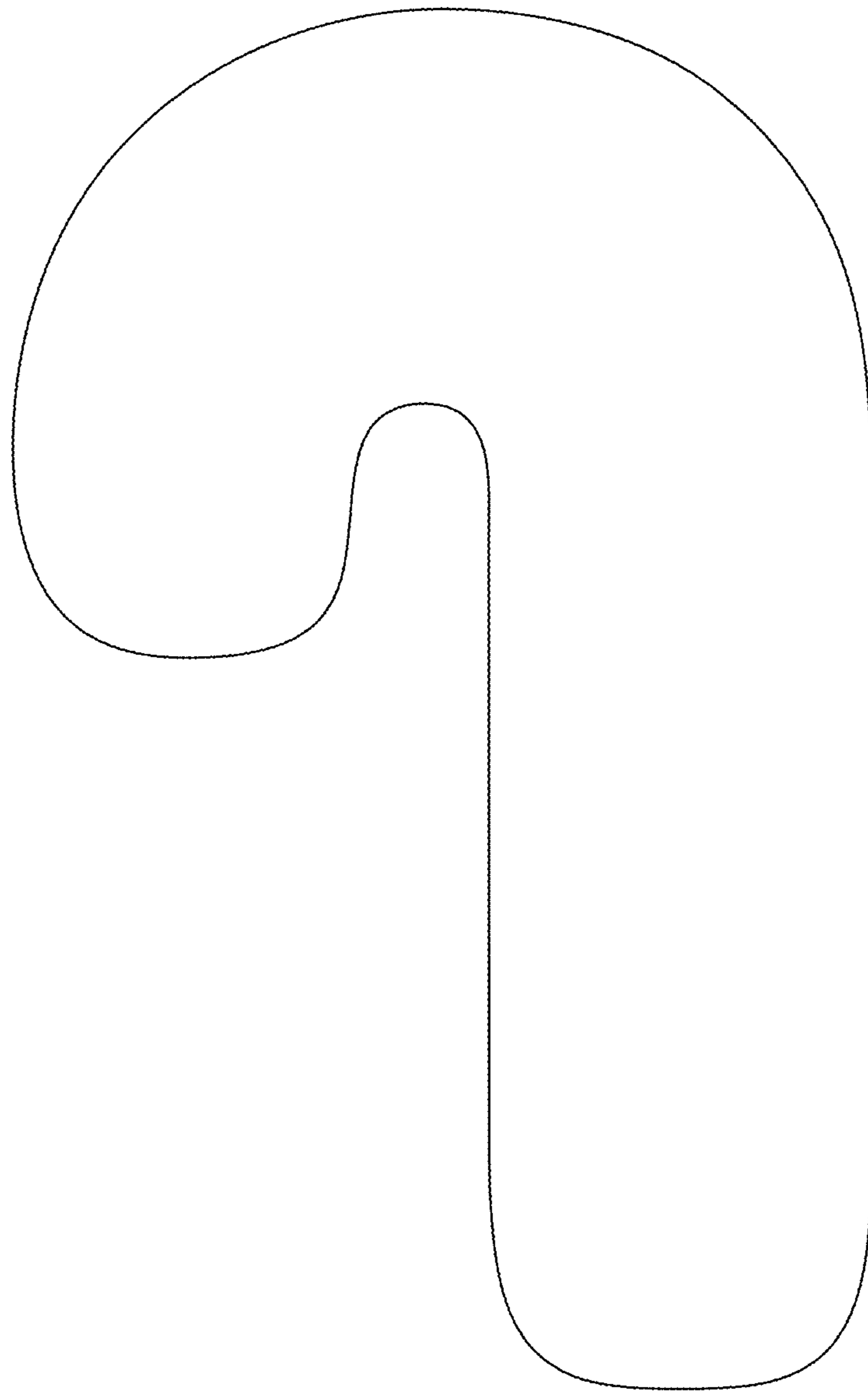


FIG. 8

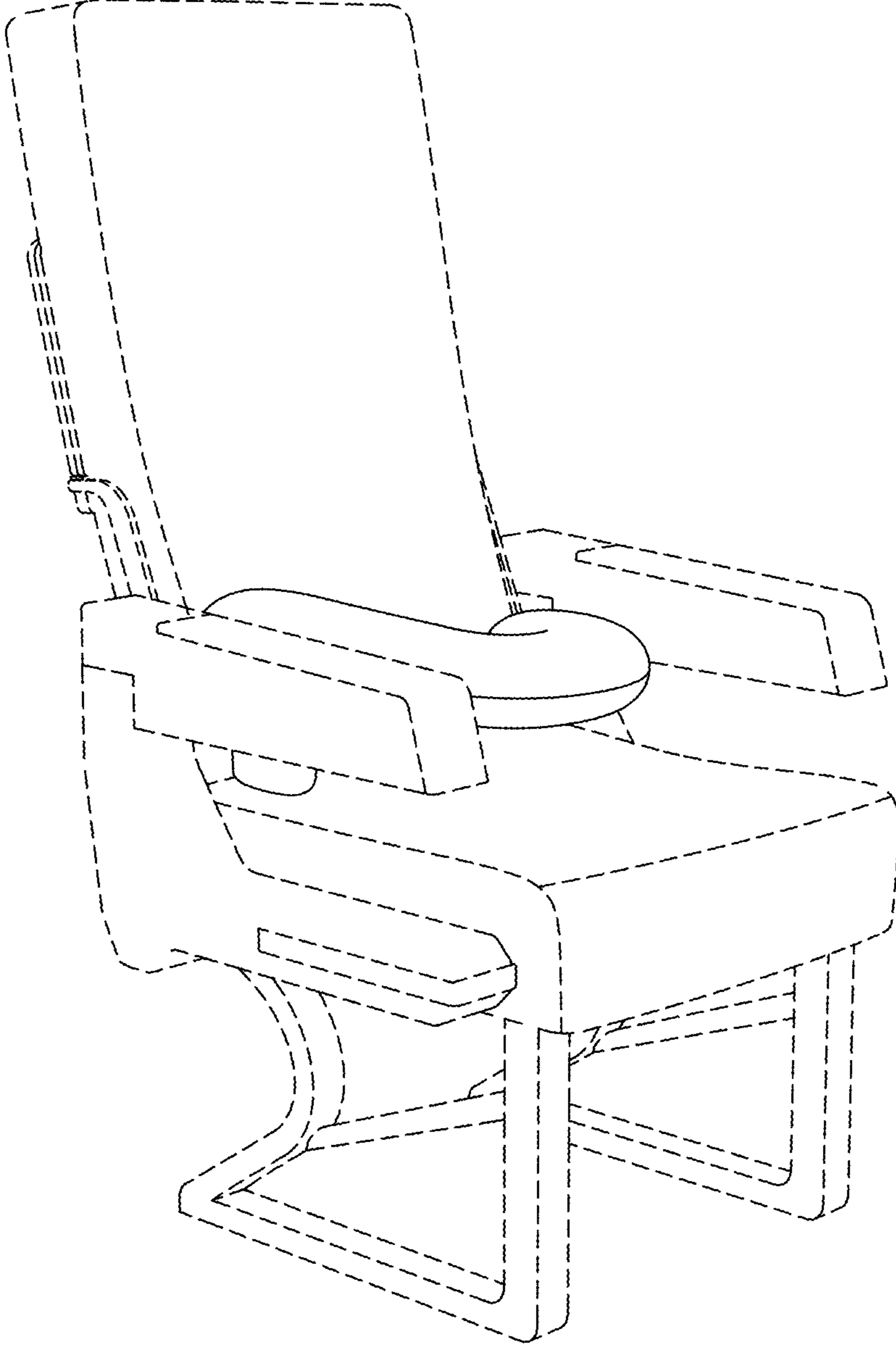


FIG. 9

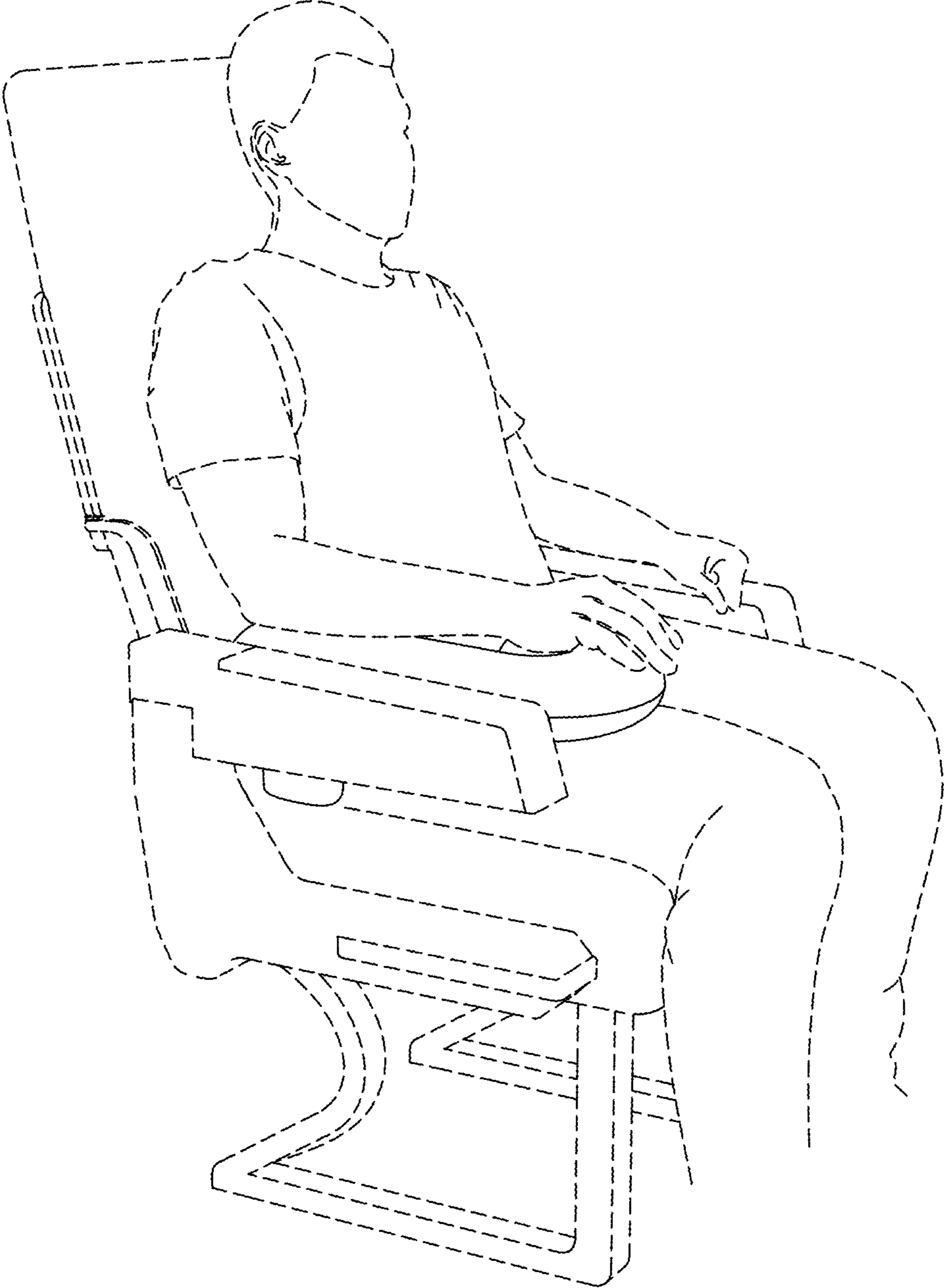


FIG. 10