



US00D942174S

(12) **United States Design Patent** (10) **Patent No.:** **US D942,174 S**  
**Yang** (45) **Date of Patent:** **\*\* Feb. 1, 2022**

(54) **BED FRAME**

(71) Applicant: **Fan Yang**, Guangdong (CN)

(72) Inventor: **Fan Yang**, Guangdong (CN)

(\*\*) Term: **15 Years**

(21) Appl. No.: **29/752,131**

(22) Filed: **Sep. 25, 2020**

(51) **LOC (13) Cl.** ..... **06-02**

(52) **U.S. Cl.**  
USPC ..... **D6/382**

(58) **Field of Classification Search**  
USPC ..... D6/361, 382, 383, 384, 388, 392, 393,  
D6/394, 718, 718.11

CPC ... A47C 19/005; A47C 19/025; A47C 19/021;  
A47C 23/062; B65D 2519/00985; F16B  
12/56

See application file for complete search history.

(56) **References Cited**

**U.S. PATENT DOCUMENTS**

D40,847 S *	8/1910	Hunt	.....	D6/718
D41,995 S *	12/1911	Lyons	.....	D6/718
D135,887 S *	6/1943	Pulford	.....	D6/718
5,158,403 A *	10/1992	Moors	.....	B65D 19/0095 108/56.3
D420,834 S *	2/2000	Anderson	.....	D6/675
D608,562 S *	1/2010	Chen	.....	D6/384
D663,077 S *	7/2012	Pohl	.....	D30/118
D785,968 S *	5/2017	Burden	.....	D6/395
D810,458 S *	2/2018	Cartier	.....	D6/384
9,924,804 B2 *	3/2018	Hartley	.....	A47C 19/005
D853,145 S *	7/2019	Lee	.....	D6/393
D855,346 S *	8/2019	Lee	.....	D6/393
D862,104 S *	10/2019	Suzuki	.....	D6/383
D878,072 S	3/2020	Scott	.....	
D885,077 S *	5/2020	Kamler	.....	D6/382
D906,000 S *	12/2020	Hernandez	.....	D6/382
D911,059 S *	2/2021	Fang	.....	D6/394
D917,194 S *	4/2021	Shen	.....	D6/382

D917,196 S *	4/2021	Shen	.....	D6/382
2017/0065091 A1 *	3/2017	Rodgers	.....	A47C 19/021
2018/0027977 A1 *	2/2018	Shelby	.....	A47C 23/062
2019/0387888 A1 *	12/2019	Choi	.....	A47C 19/122

(Continued)

**OTHER PUBLICATIONS**

“Saygoer Heavy Duty Steel Metal Platform Bed Frame.” Found online Sep. 11, 2021 at www.amazon.com. Product first available Aug. 27, 2020. Retrieved from URL: https://www.amazon.com/-/es/dp/B08GQZDSXR/ref=emc\_b\_5\_t?th=1 (Year: 2020).\*

(Continued)

*Primary Examiner* — Mary Ann Calabrese

*Assistant Examiner* — Katelin G Kloberg

(57) **CLAIM**

The ornamental design for a bed frame, as shown and described.

**DESCRIPTION**

FIG. 1 is a front and top perspective view of a bed frame, showing my new design;

FIG. 2 is a rear and bottom perspective view thereof;

FIG. 3 is a front elevational view thereof;

FIG. 4 is a left side elevational view thereof;

FIG. 5 is a top plan view thereof;

FIG. 6 is a bottom plan view thereof;

FIG. 7 is an enlarged view of detail 7 in FIG. 1;

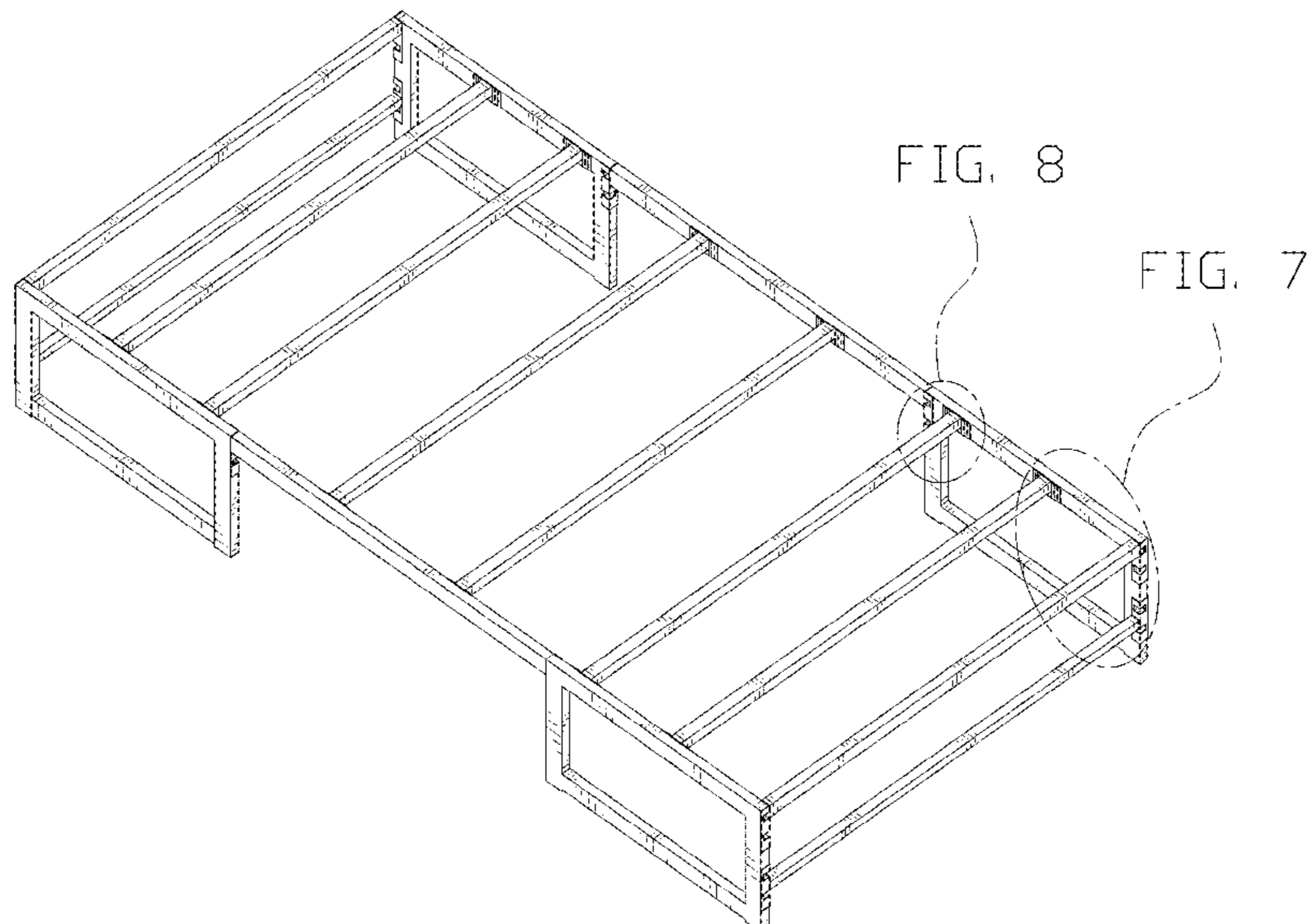
FIG. 8 is an enlarged view of detail 8 in FIG. 1;

FIG. 9 is an enlarged view of detail 9 in FIG. 2; and,

FIG. 10 is an enlarged view of detail 10 in FIG. 2.

The dash dot dash lines in FIGS. 1, 2, 7, 8, 9 and 10 are for the purpose of depicting the cut line of the enlarged view and form no part of the claim. The evenly-spaced broken lines in the figures depict portions of the article that form no part of the claimed design.

**1 Claim, 10 Drawing Sheets**



(56)

**References Cited**

U.S. PATENT DOCUMENTS

2019/0387892 A1\* 12/2019 Choi ..... A47C 19/126  
2020/0022501 A1\* 1/2020 Choi ..... A47C 19/12  
2020/0022503 A1\* 1/2020 Choi ..... A47C 19/005  
2020/0359804 A1\* 11/2020 Lee ..... A47C 19/021

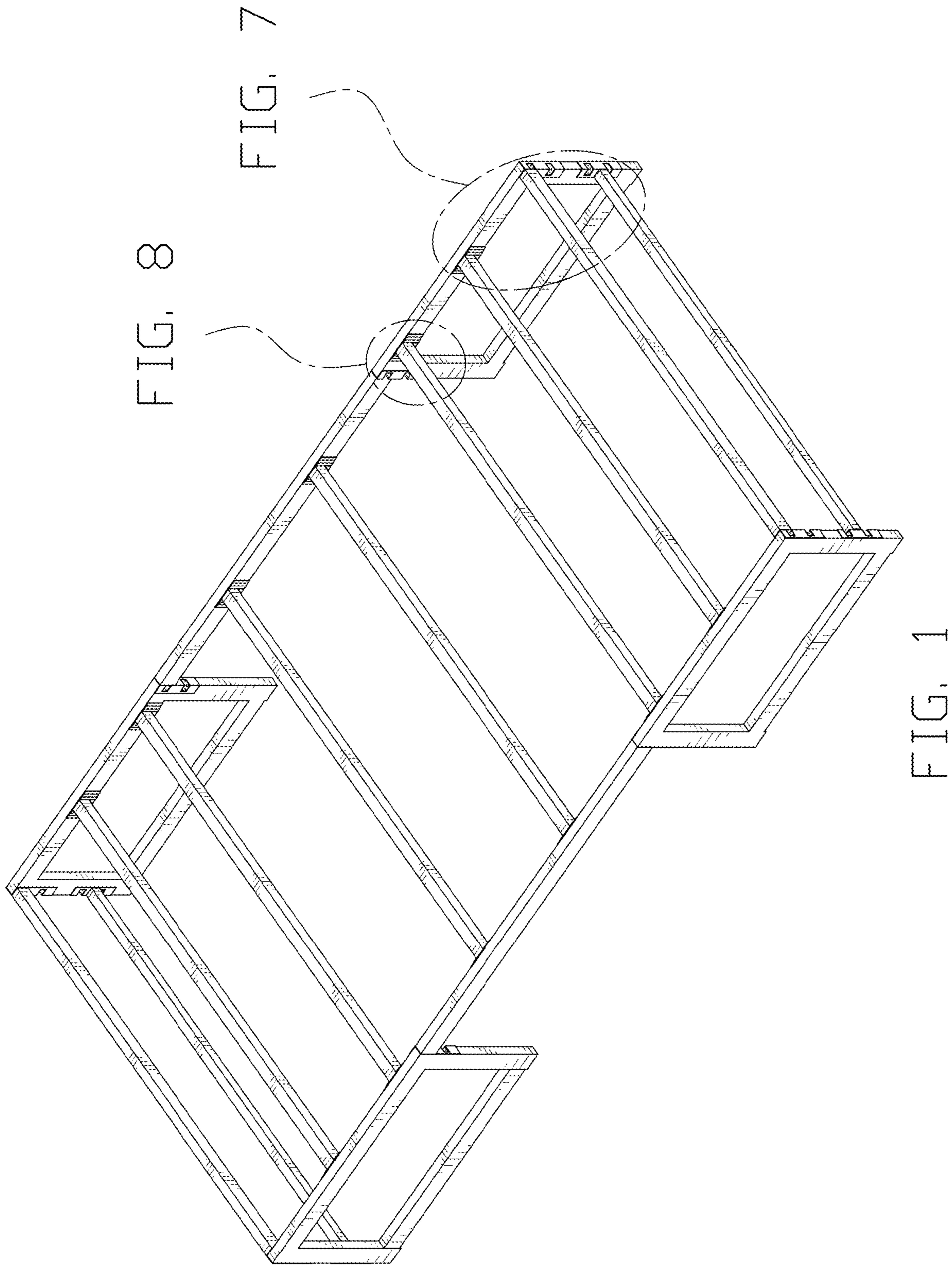
OTHER PUBLICATIONS

“Aitta 12-inch Double Bed Frame.” Found online Sep. 11, 2021 at [www.amazon.com](http://www.amazon.com). Product first available Apr. 13, 2021. Retrieved from URL: <https://tinyurl.com/2eux7v3j> (Year: 2021).\*

“Ssecretland 14-inch Queen Size Bed Frame.” Found online Sep. 11, 2021 at [www.amazon.com](http://www.amazon.com). Product first available Mar. 26, 2021. Retrieved from URL: <https://tinyurl.com/ytx9fs7t> (Year: 2021).\*

“Molbly 14-inch Double Bed Frame.” Found online Sep. 11, 2021 at [www.amazon.com](http://www.amazon.com). Product first available Mar. 6, 2021. Retrieved from URL: <https://tinyurl.com/2kjmut99> (Year: 2021).\*

\* cited by examiner



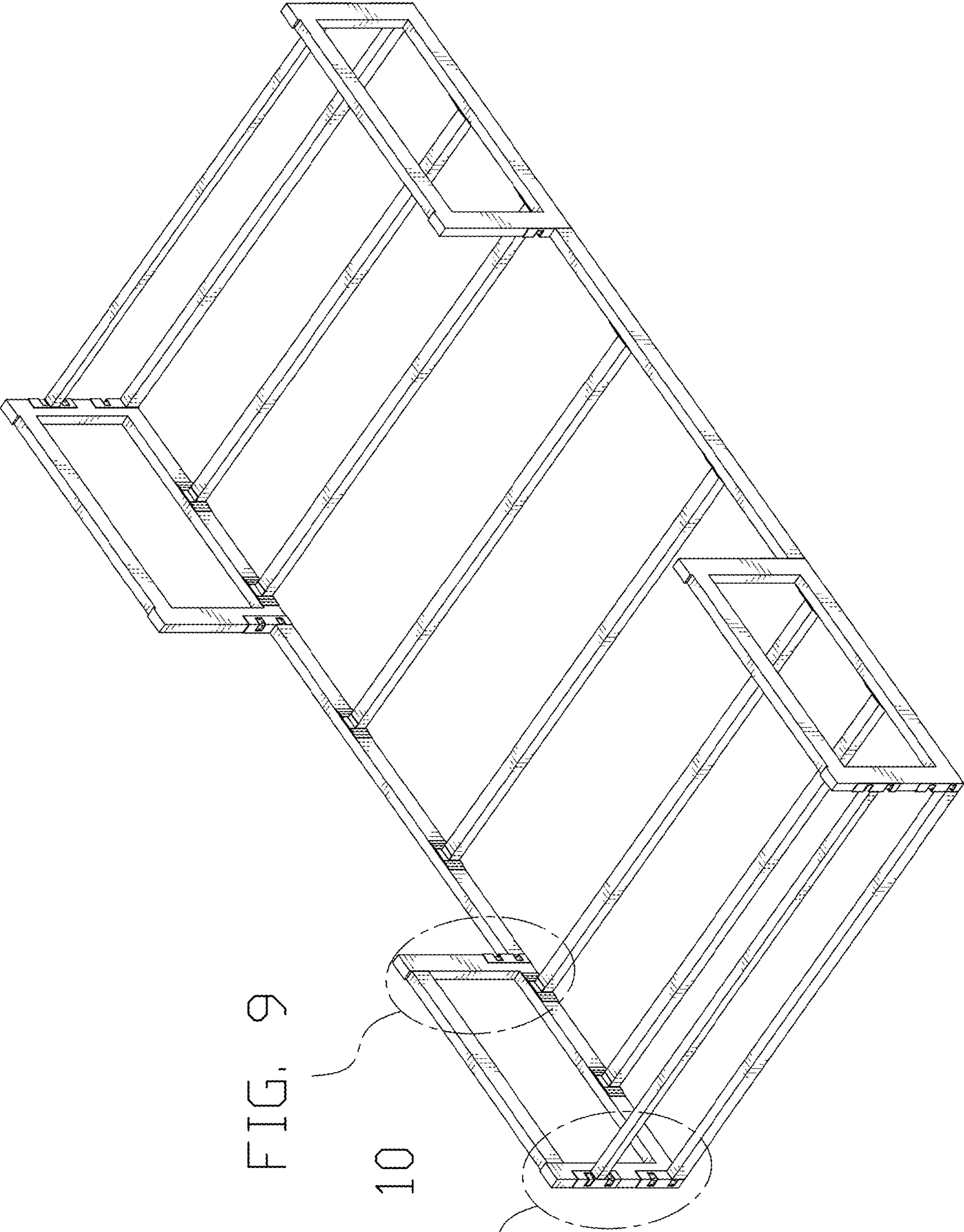


FIG. 9

FIG. 10

FIG. 2

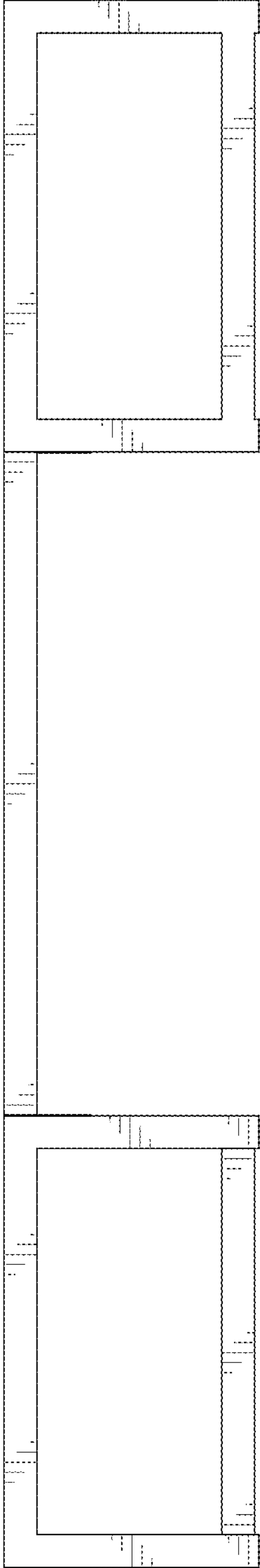


FIG. 3

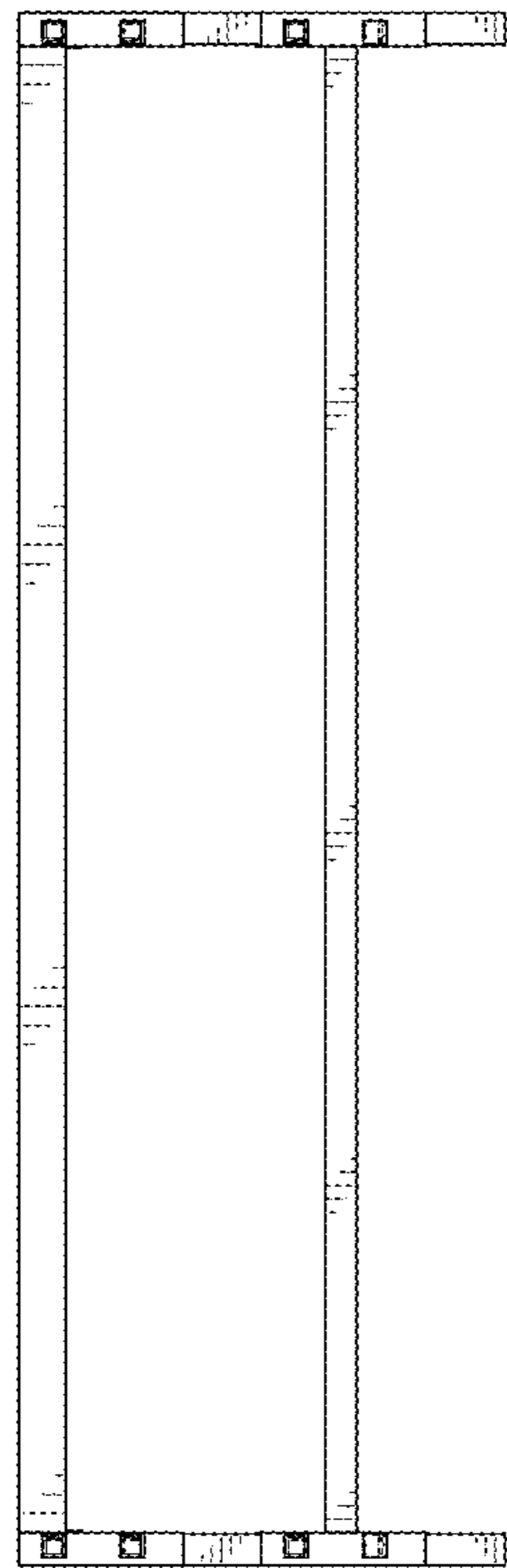


FIG. 4

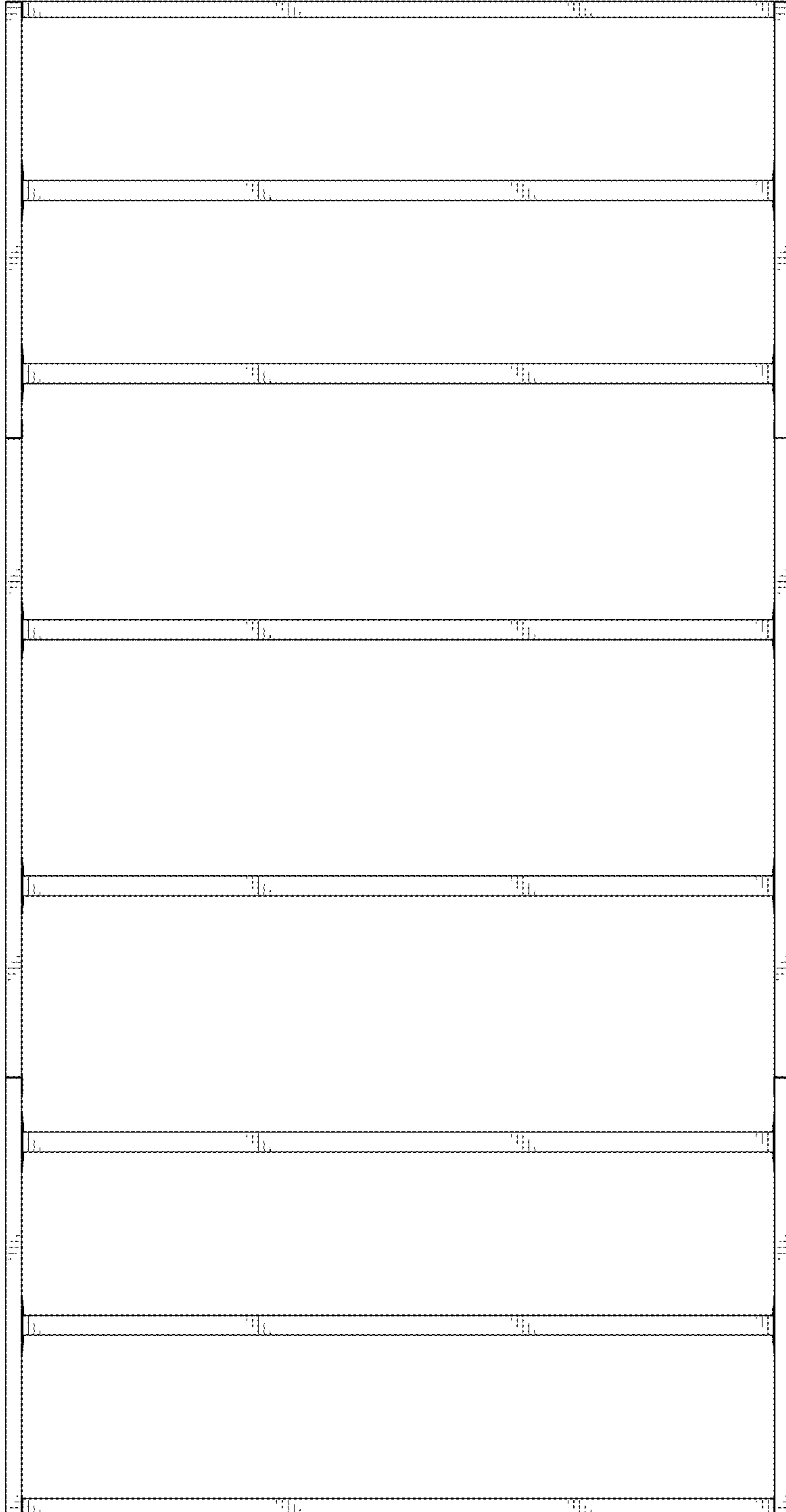


FIG. 5

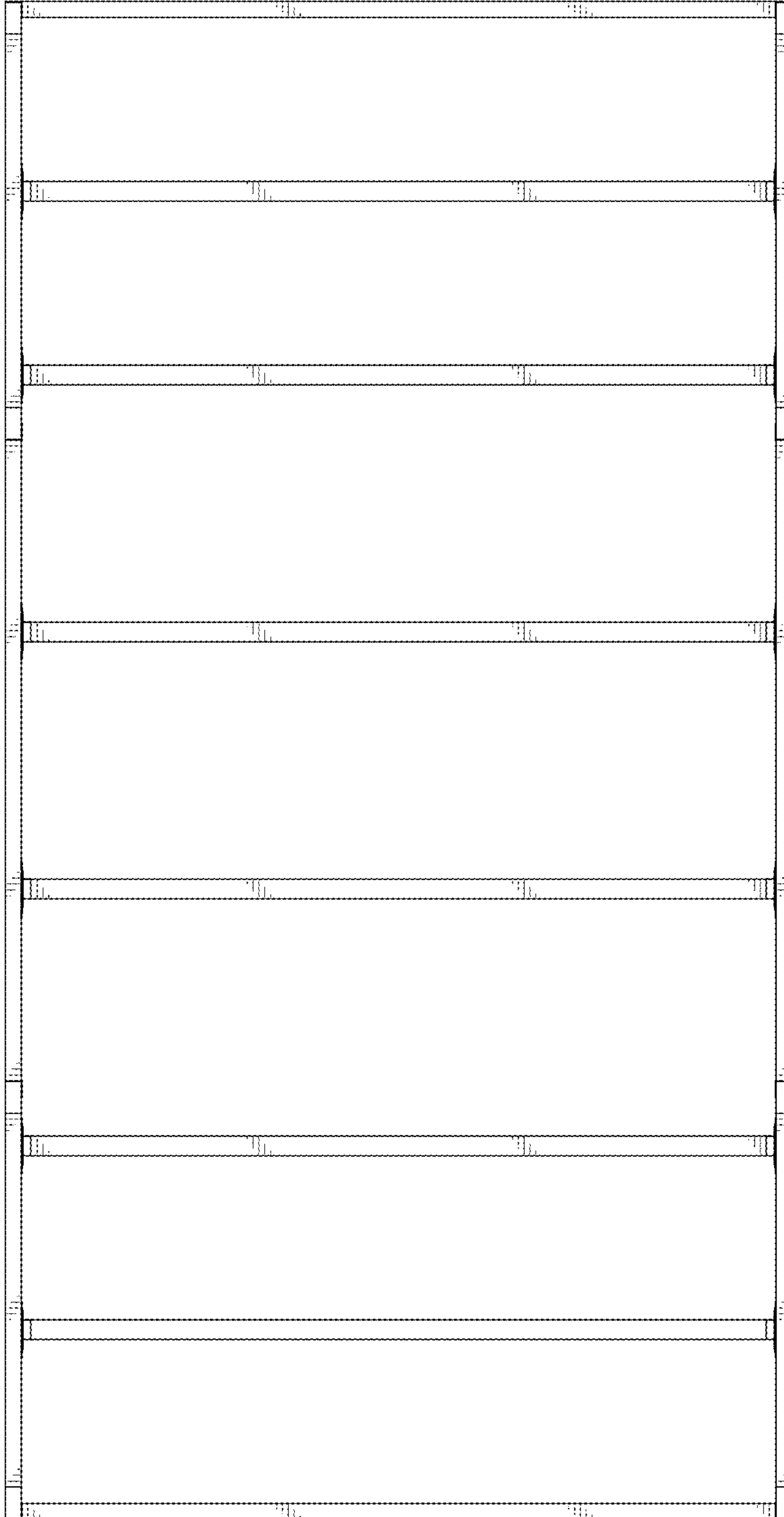


FIG. 6



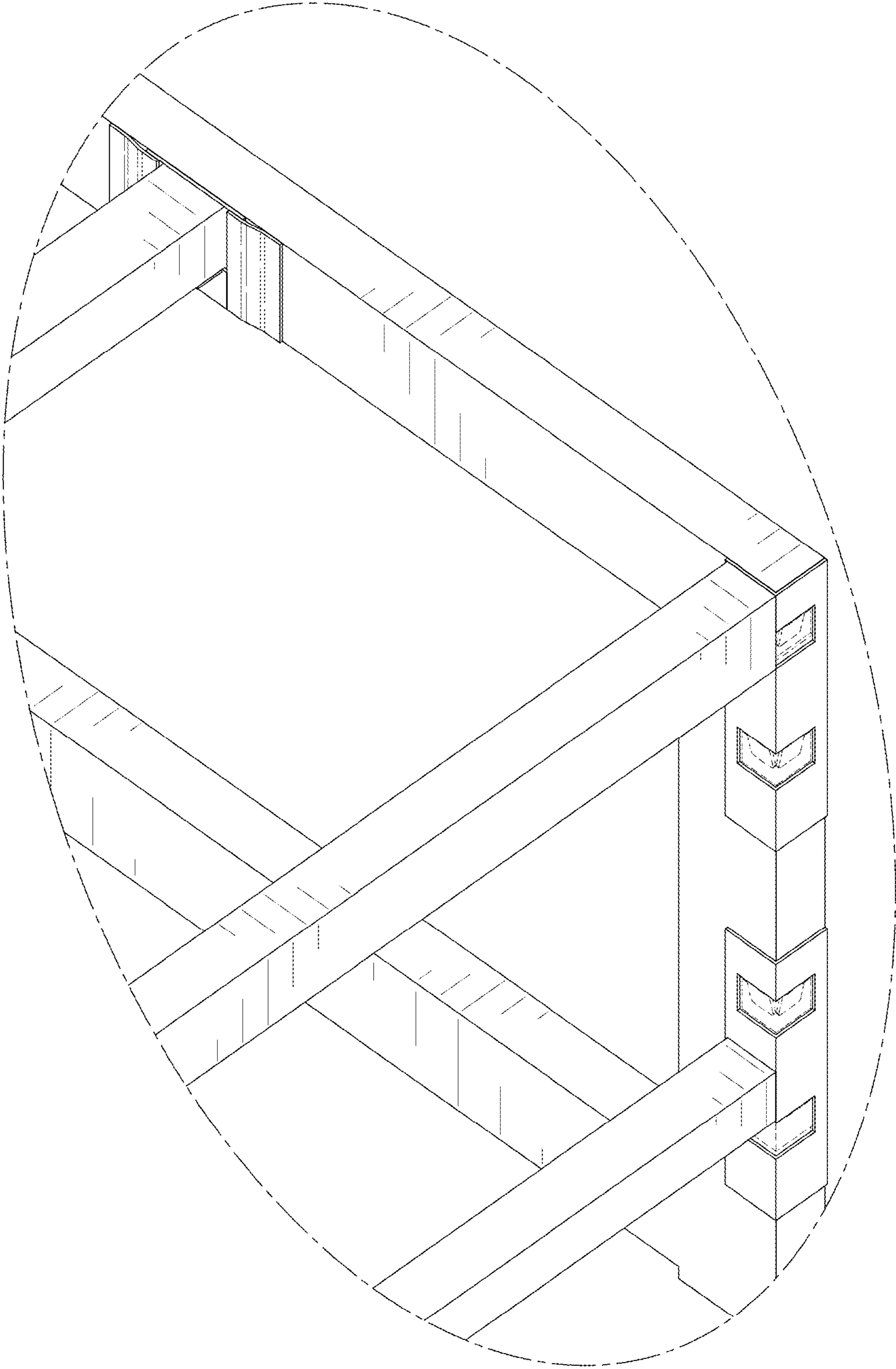


FIG. 7

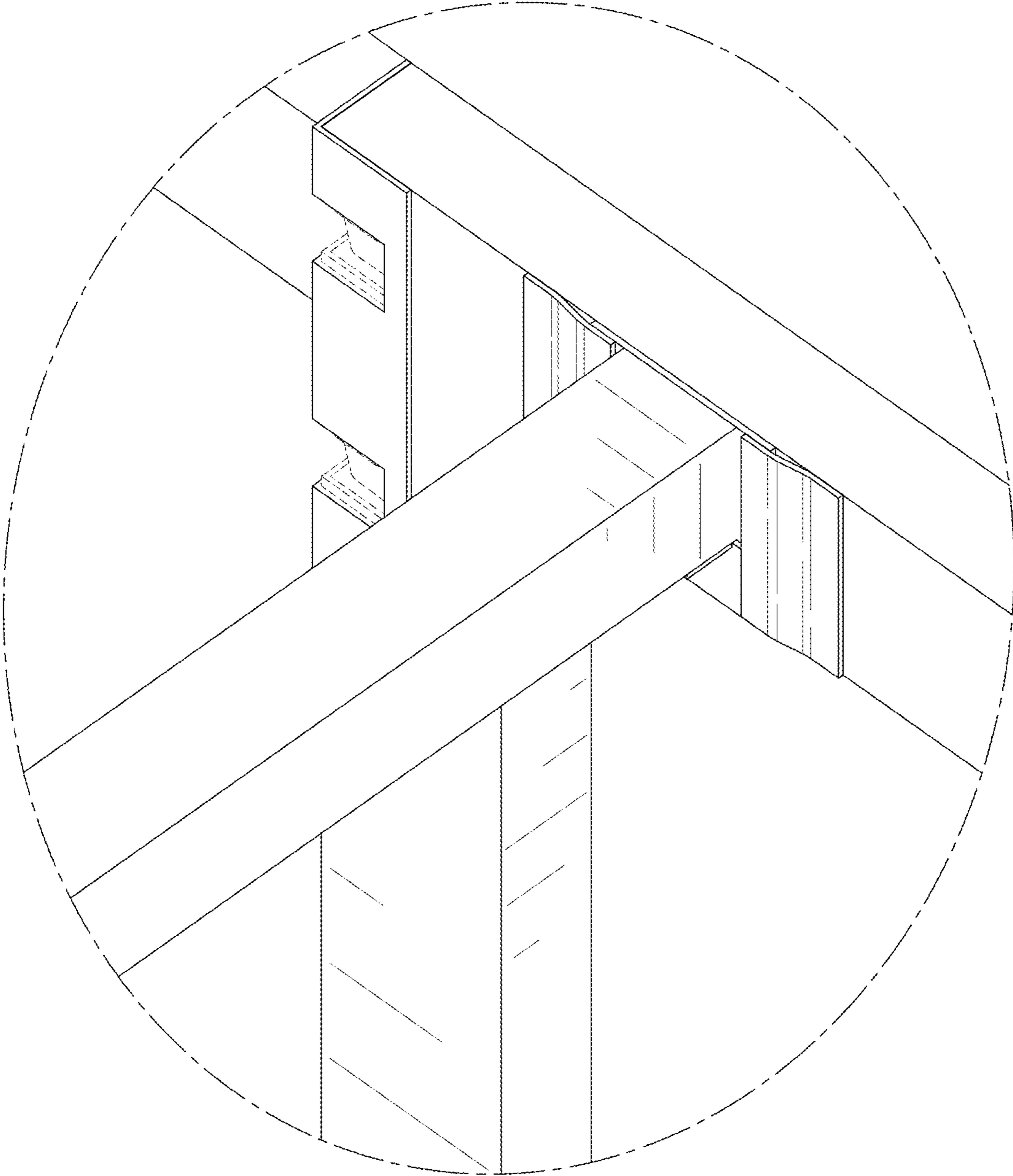


FIG. 8

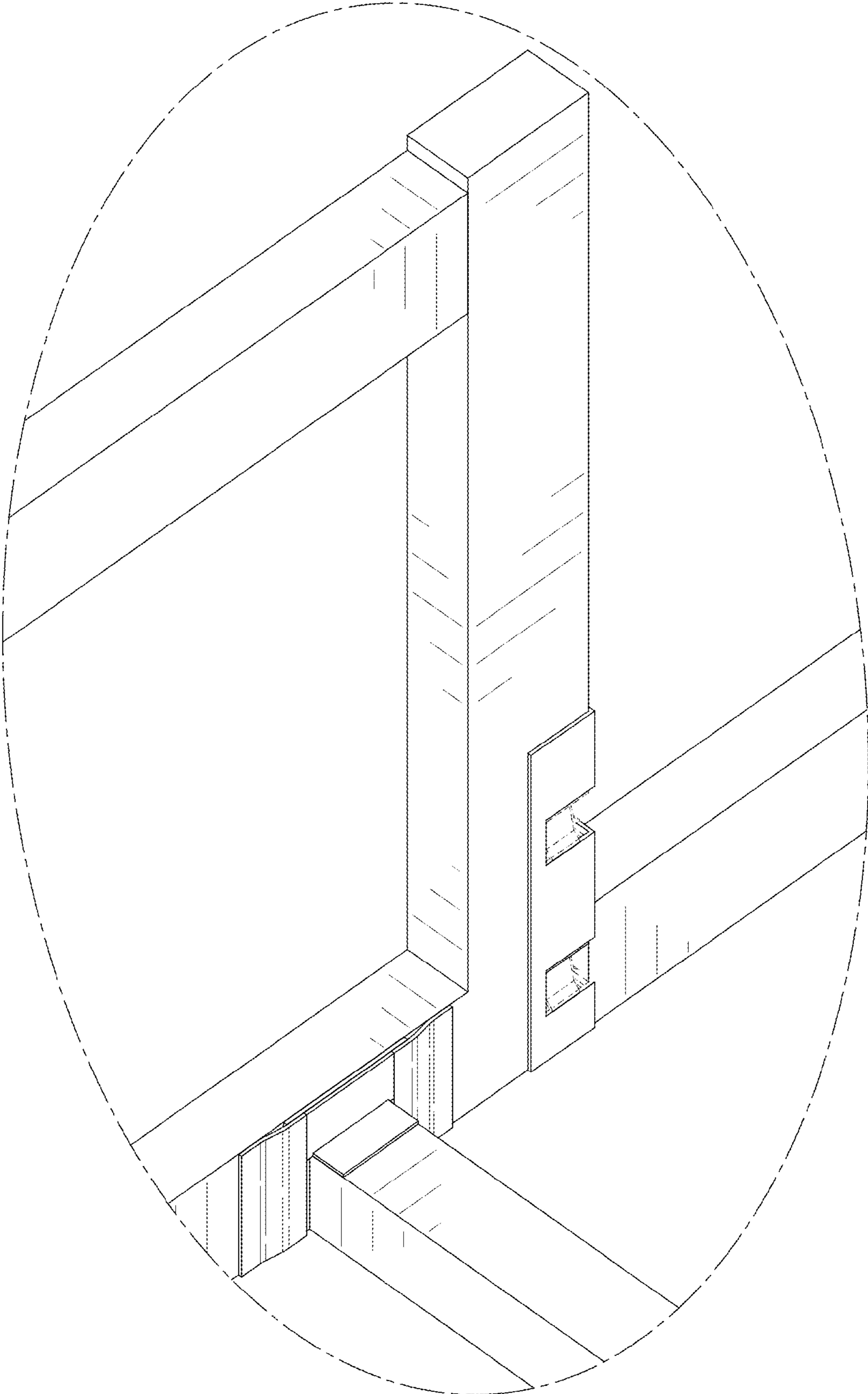


FIG. 9

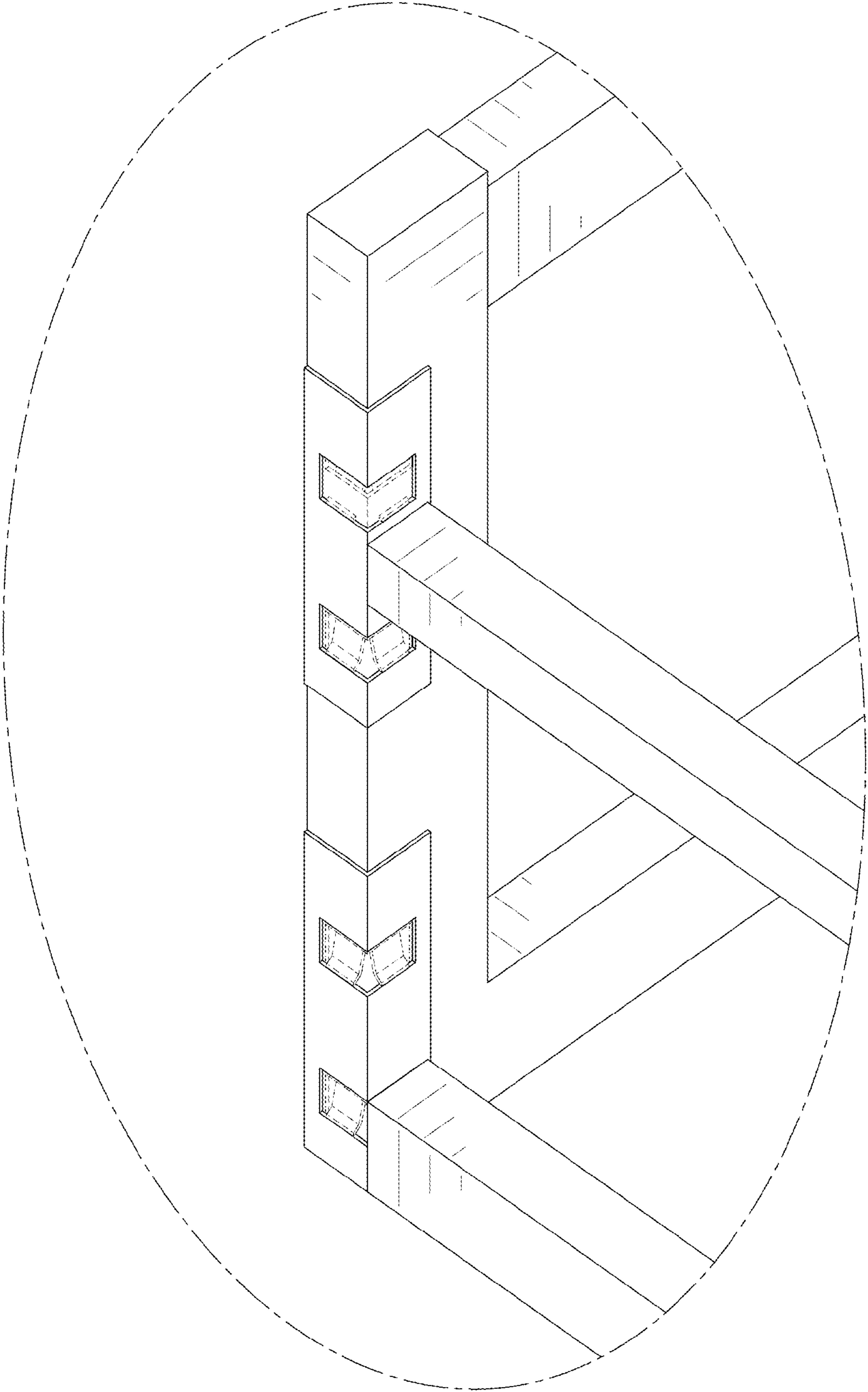


FIG. 10