



US00D942171S

(12) **United States Design Patent** (10) **Patent No.:** **US D942,171 S**  
**Wu** (45) **Date of Patent:** **\*\* Feb. 1, 2022**

(54) **GAMING CHAIR**  
(71) Applicant: **Wudi Industrial (Shanghai) Co., Ltd.**,  
Shanghai (CN)

D897,709 S \* 10/2020 Li ..... D6/366  
D915,093 S \* 4/2021 Shen ..... D6/366  
D918,634 S \* 5/2021 Peng ..... D6/716.1

(72) Inventor: **Peng Wu**, Shanghai (CN)  
(73) Assignee: **WUDI INDUSTRIAL (SHANGHAI)  
CO., LTD.**, Shanghai (CN)

**OTHER PUBLICATIONS**

Devoko Ergonomic Gaming Chair Racing Style Adjustable Height High Back PC Computer Chair with Headrest and Lumbar Support Executive Office Chair (Red), from amazon.com, Date First Available: Sep. 22, 2017, pp. 1, 5, 6, from [https://www.amazon.com/Devoko-Ergonomic-Adjustable-High-Back-Executive/dp/B075V63NQX/ref=asc\\_df\\_B075V63NQX/?tag=hyprod-20&linkCode=df0&hvadid=475750957837&hvpos=&hvnetw=g&hvrnd=222224421544139236&hvpone=&hvptwo=&hvqmt=&hvdev=c&hvdvcm1=&hvlocint=&hvlocphy=9059726&hvtargid=pla-1173799618502&psc=1](https://www.amazon.com/Devoko-Ergonomic-Adjustable-High-Back-Executive/dp/B075V63NQX/ref=asc_df_B075V63NQX/?tag=hyprod-20&linkCode=df0&hvadid=475750957837&hvpos=&hvnetw=g&hvrnd=222224421544139236&hvpone=&hvptwo=&hvqmt=&hvdev=c&hvdvcm1=&hvlocint=&hvlocphy=9059726&hvtargid=pla-1173799618502&psc=1) (Year: 2017).\*

(\*\*) Term: **15 Years**

(21) Appl. No.: **29/779,456**

(22) Filed: **Apr. 19, 2021**

(51) **LOC (13) Cl.** ..... **06-01**

(52) **U.S. Cl.**  
USPC ..... **D6/366**

(58) **Field of Classification Search**  
USPC ..... D6/334-336, 356, 364, 365, 366, 367,  
D6/374, 375, 379, 380, 716, 716.1, 716.2,  
D6/716.3, 716.4

CPC ..... A47C 4/028; A47C 7/004; A47C 7/006;  
A47C 7/18; A47C 7/24; A47C 7/38;  
A47C 7/40; B60N 2/02; B60N 2/20;  
B60N 2/22; B60N 2/58

See application file for complete search history.

\* cited by examiner

*Primary Examiner* — Mimoso De

(57) **CLAIM**

The ornamental design for a gaming chair, as shown and described.

**DESCRIPTION**

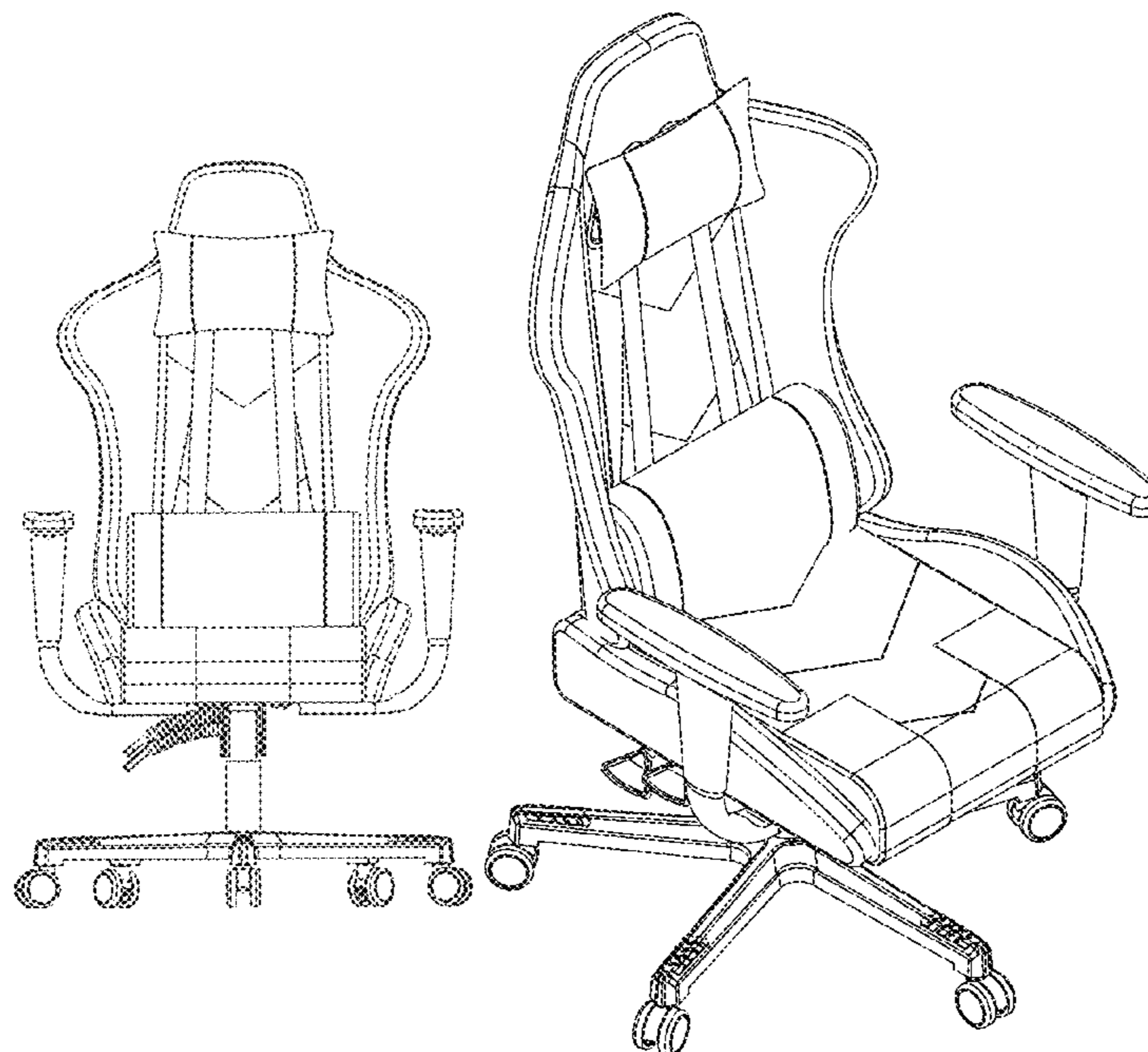
FIG. 1 is a front elevational view a gaming chair showing our new design;  
FIG. 2 is a left side elevational view of thereof;  
FIG. 3 is a rear elevational view thereof;  
FIG. 4 is a right side elevational view thereof;  
FIG. 5 is a top plan view thereof;  
FIG. 6 is a bottom plan view thereof; and,  
FIG. 7 is a left perspective view thereof.  
The broken lines shown in the drawing are for the purpose of illustrating environmental structure and form no part of the claimed design.

(56) **References Cited**

**U.S. PATENT DOCUMENTS**

D700,449 S 3/2014 Romane  
D811,145 S \* 2/2018 Li ..... D6/716  
D854,846 S \* 7/2019 Shen ..... D6/366  
D856,696 S \* 8/2019 Shen ..... D6/366  
D856,697 S \* 8/2019 Shen ..... D6/366  
D856,698 S \* 8/2019 Shen ..... D6/366  
D885,779 S \* 6/2020 Li ..... D6/366

**1 Claim, 7 Drawing Sheets**



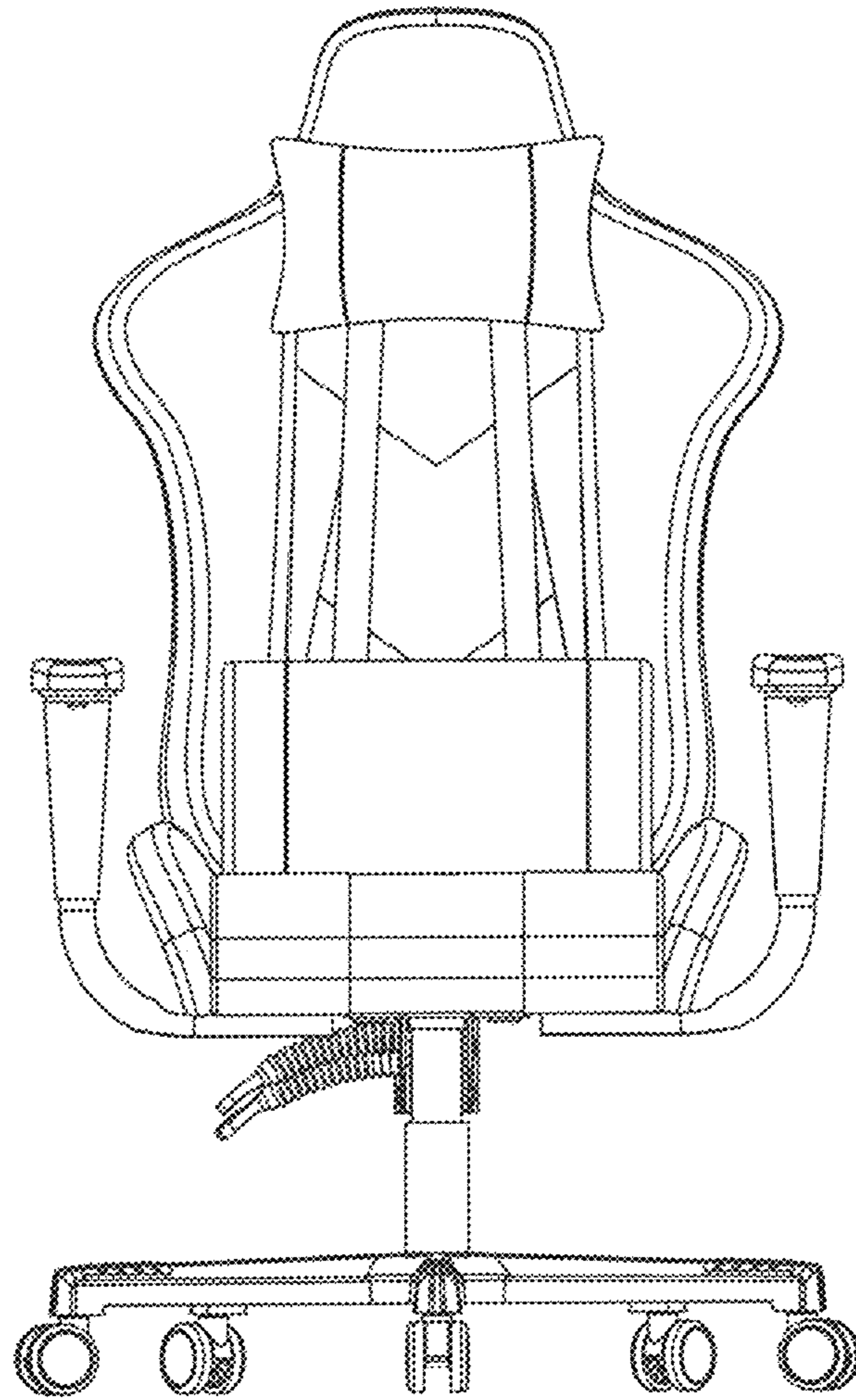


FIG. 1

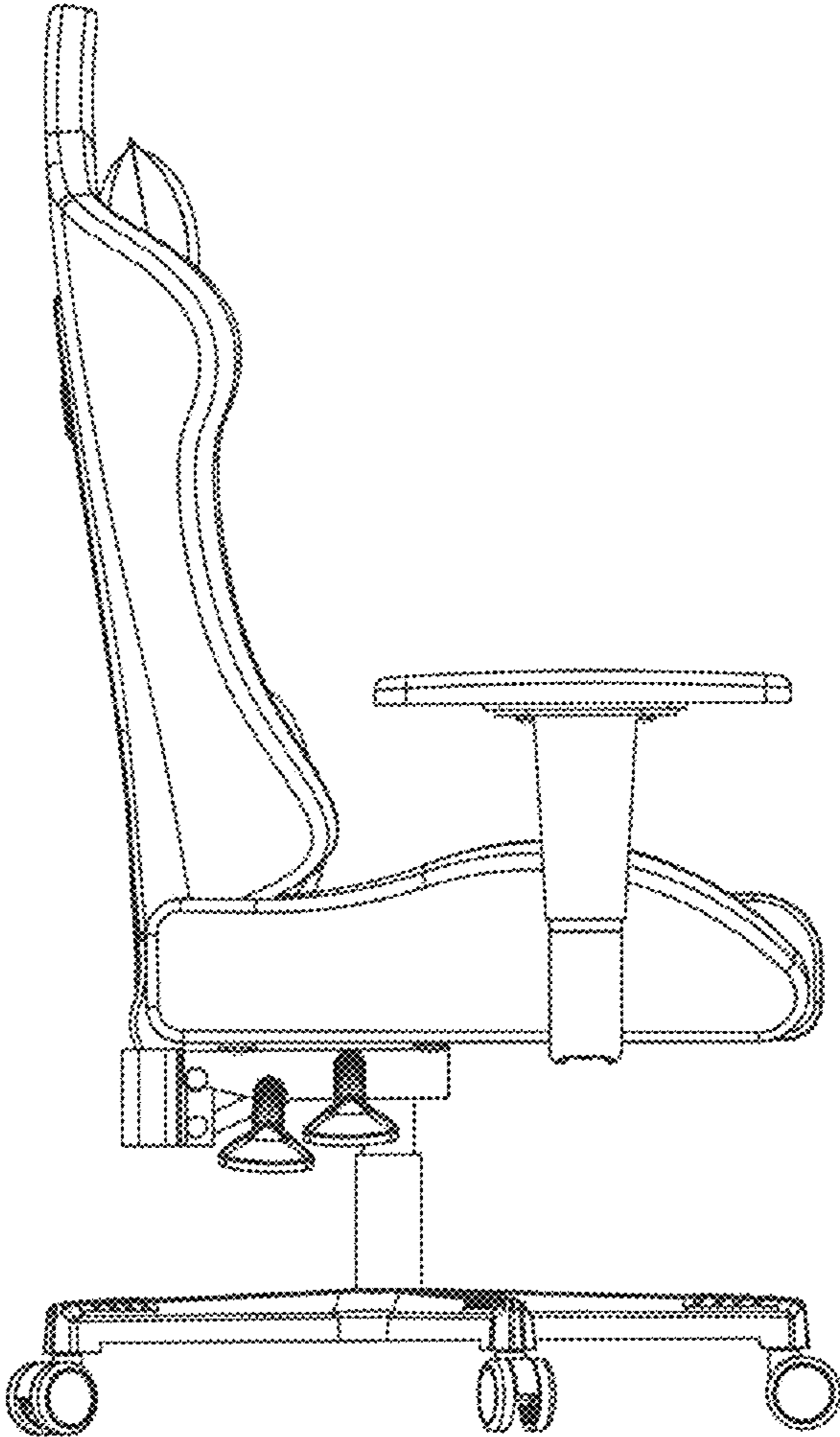


FIG. 2

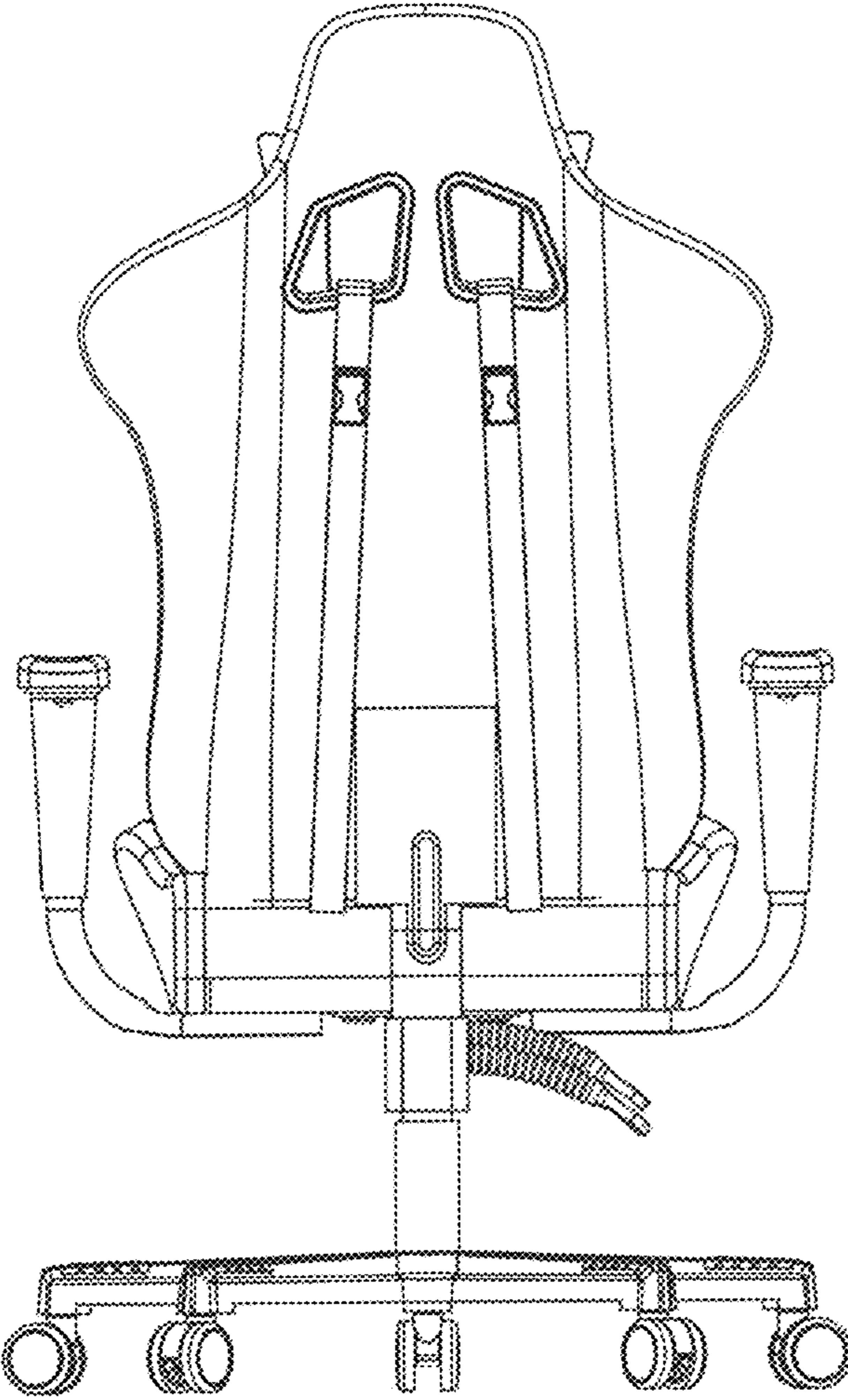


FIG. 3

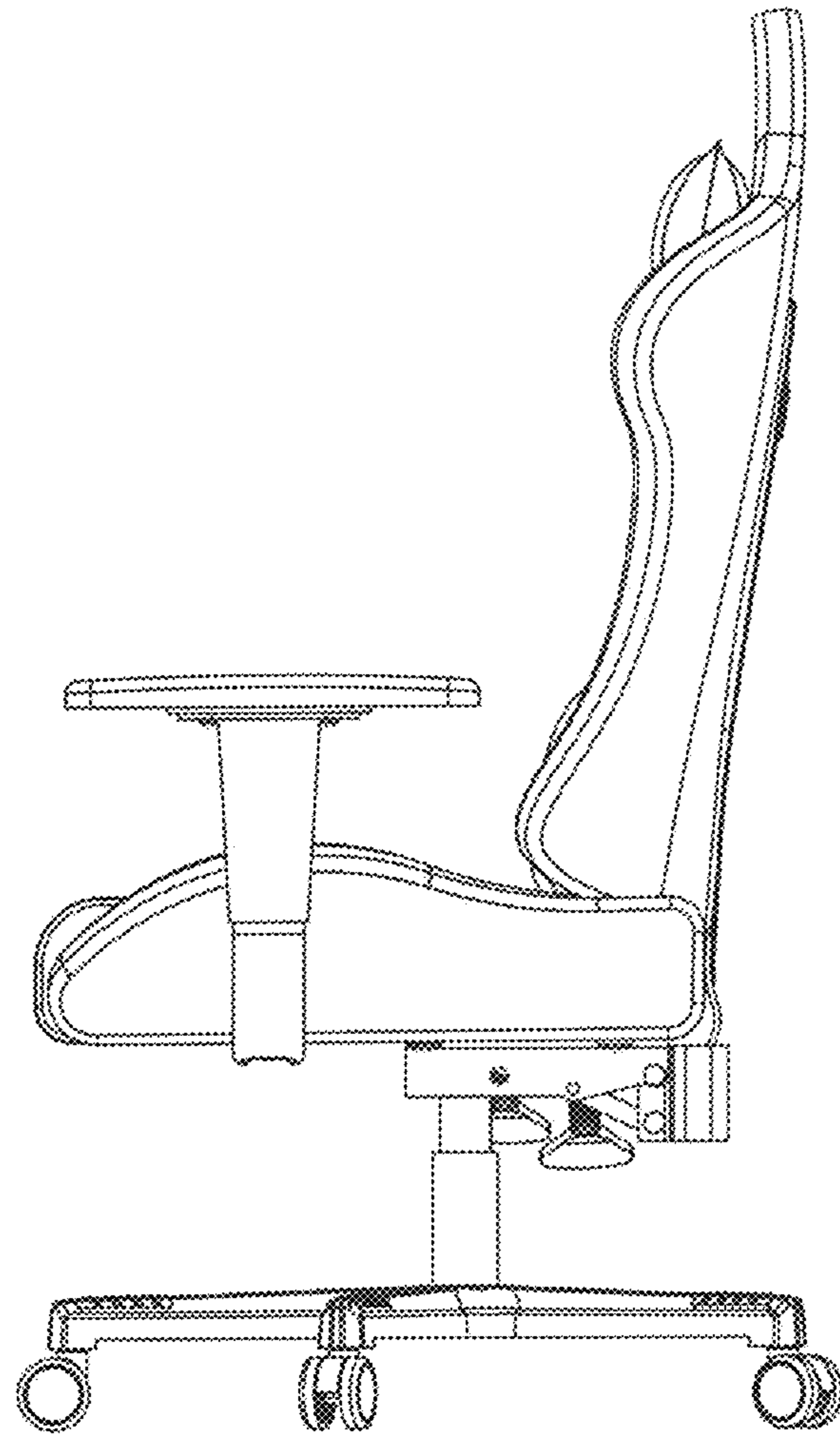


FIG. 4

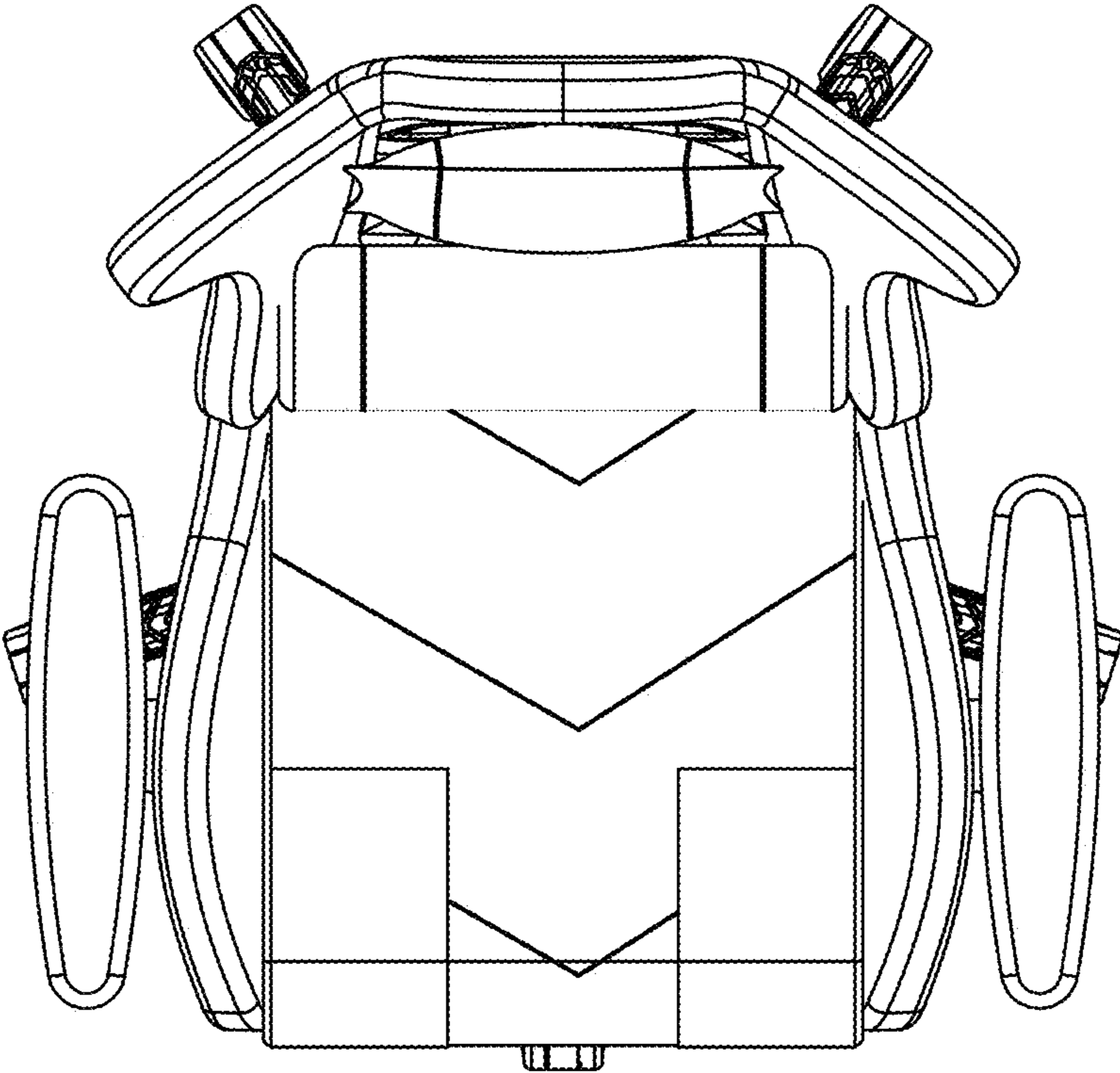


FIG. 5

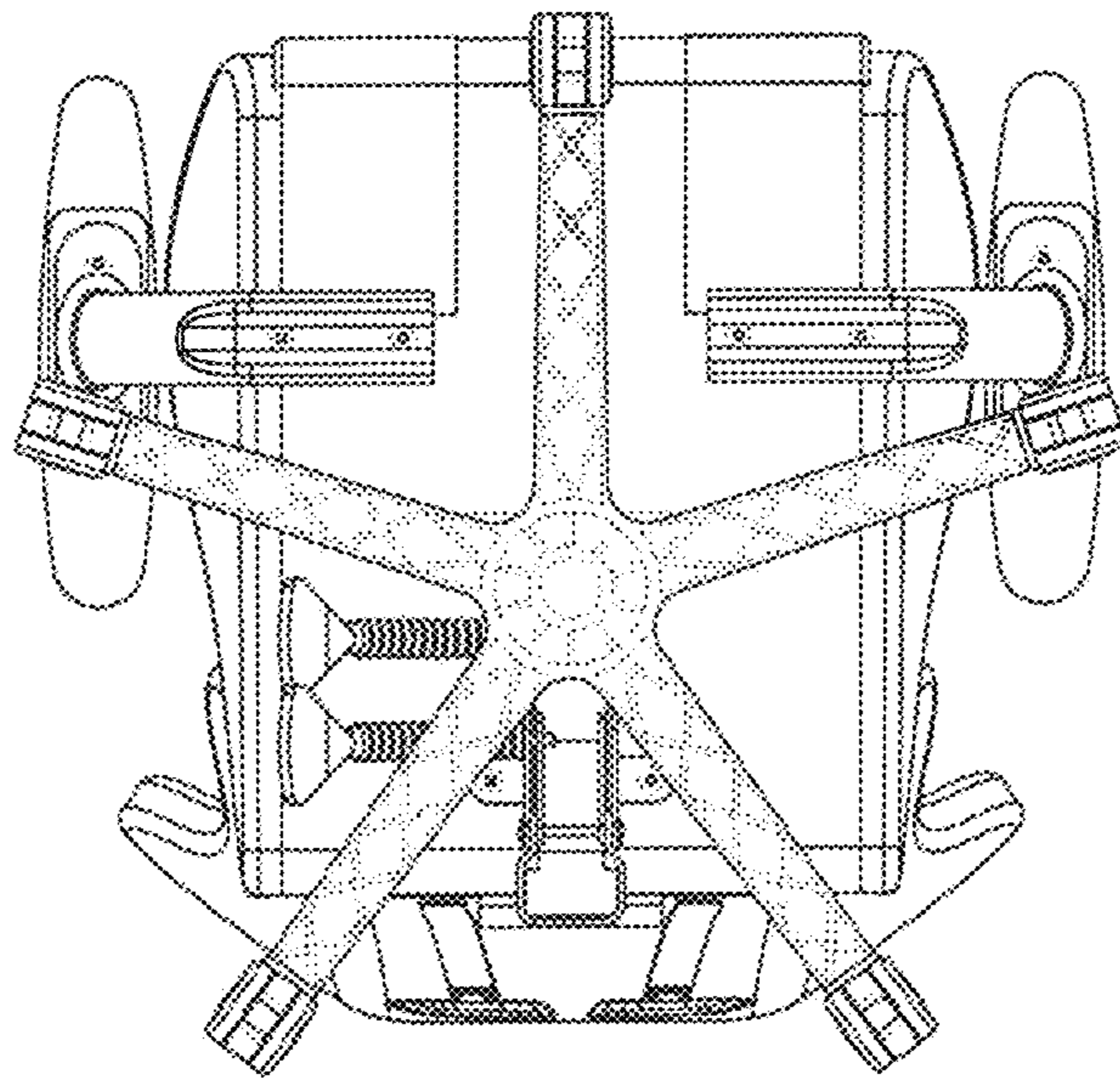


FIG. 6



FIG. 7