

US00D942170S

(12) **United States Design Patent** (10) **Patent No.:** **US D942,170 S**
Grcic (45) **Date of Patent:** **** Feb. 1, 2022**

(54) **CHAIR**
(71) Applicant: **Vitra Patente AG**, Birsfelden (CH)
(72) Inventor: **Konstantin Grcic**, Munich (DE)
(73) Assignee: **Vitra AG**, Birsfelden (CH)
(**) Term: **15 Years**
(21) Appl. No.: **29/763,595**
(22) Filed: **Dec. 23, 2020**

D365,453 S 12/1995 Newhouse
D395,172 S 6/1998 Pate
D405,617 S 2/1999 Kaczmarek et al.
D463,178 S 9/2002 Chu
D657,594 S 4/2012 Knight et al.
9,144,315 B1 * 9/2015 Cheng A47C 7/50
D774,344 S 12/2016 Alvarez et al.
9,770,111 B2 * 9/2017 Johnson A47C 9/00
D811,144 S 2/2018 Li
10,506,881 B2 * 12/2019 Richardson A47C 7/006
10,765,218 B2 * 9/2020 Donati A47C 7/40
D905,987 S * 12/2020 Grcic D6/366
2003/0151291 A1 * 8/2003 Lin A47C 7/50
297/423.38

Related U.S. Application Data

(62) Division of application No. 29/662,751, filed on Sep. 7, 2018, now Pat. No. Des. 905,987.
(51) **LOC (13) Cl.** **06-01**
(52) **U.S. Cl.**
USPC **D6/366**
(58) **Field of Classification Search**
USPC D6/334-336, 360, 364, 365, 366, 367,
D6/374, 379, 380, 716, 716.1, 716.4,
D6/708.23, 708.24
CPC A47C 7/002; A47C 7/004; A47C 7/006;
A47C 7/18; A47C 7/24; A47C 7/40;
A47C 4/028; A47C 7/46; A47C 7/50;
A47C 3/18; A47C 3/20; A47C 9/00;
A47C 9/007; A47C 9/02
See application file for complete search history.

OTHER PUBLICATIONS

Hathcock Drafting Chair, from wayfair.com, Retrieved Date: Sep. 1, 2021, p. 8, from https://www.wayfair.com/Symple-Stuff-Hathcock-Drafting-Chair-X111681748-L10-K~W000570637.html?refid=GX528945859915-W000570637_1622692219&device=c&ptid=900784878856&network=g&targetid=pla-900784878856&channel=GooglePLA&ireid=69782694&fdid=1817&PiID%5B%5D=1622692219&gclid=EA1alQobChMlvsOC2J_48glVC4nlCh2VpA7dEAQYBCABEgK3tvD_BwE (Year: 2021).*

* cited by examiner

Primary Examiner — Mimosa De
(74) *Attorney, Agent, or Firm* — Dentons US LLP

(57) **CLAIM**

An ornamental design of a chair, as shown and described.

(56) **References Cited**

U.S. PATENT DOCUMENTS

D127,977 S * 7/1941 Shepherd D6/366
2,659,413 A * 11/1953 Cramer A47C 7/006
297/423.38
D194,458 S * 1/1963 Pearson D6/366
D195,770 S * 7/1963 Isola D6/367
D227,953 S * 7/1973 Prizlow D6/366
D233,807 S * 12/1974 Ruf D6/366
D243,486 S 3/1977 Buhk
D274,675 S 7/1984 Diffrient
D274,865 S * 7/1984 Murry D6/360

DESCRIPTION

FIG. 1 is a front perspective-view of an embodiment of a chair;
FIG. 2 is a front view of the chair;
FIG. 3 is a right-side view of the chair;
FIG. 4 is a back view of the chair;
FIG. 5 is a left-side view of the chair; and,
FIG. 6 is a top view of the chair.

1 Claim, 6 Drawing Sheets

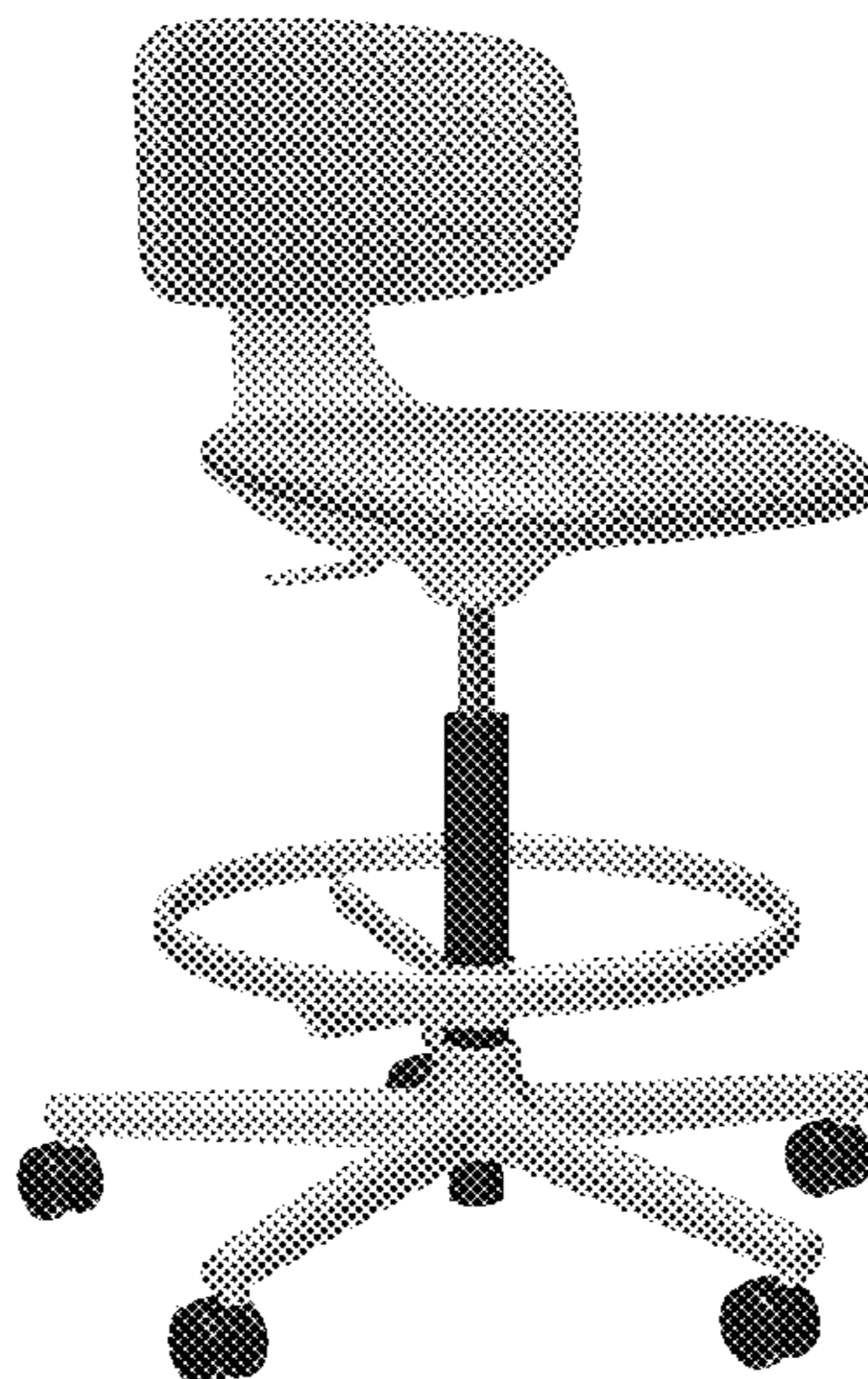




FIG. 1



FIG. 2



FIG. 3

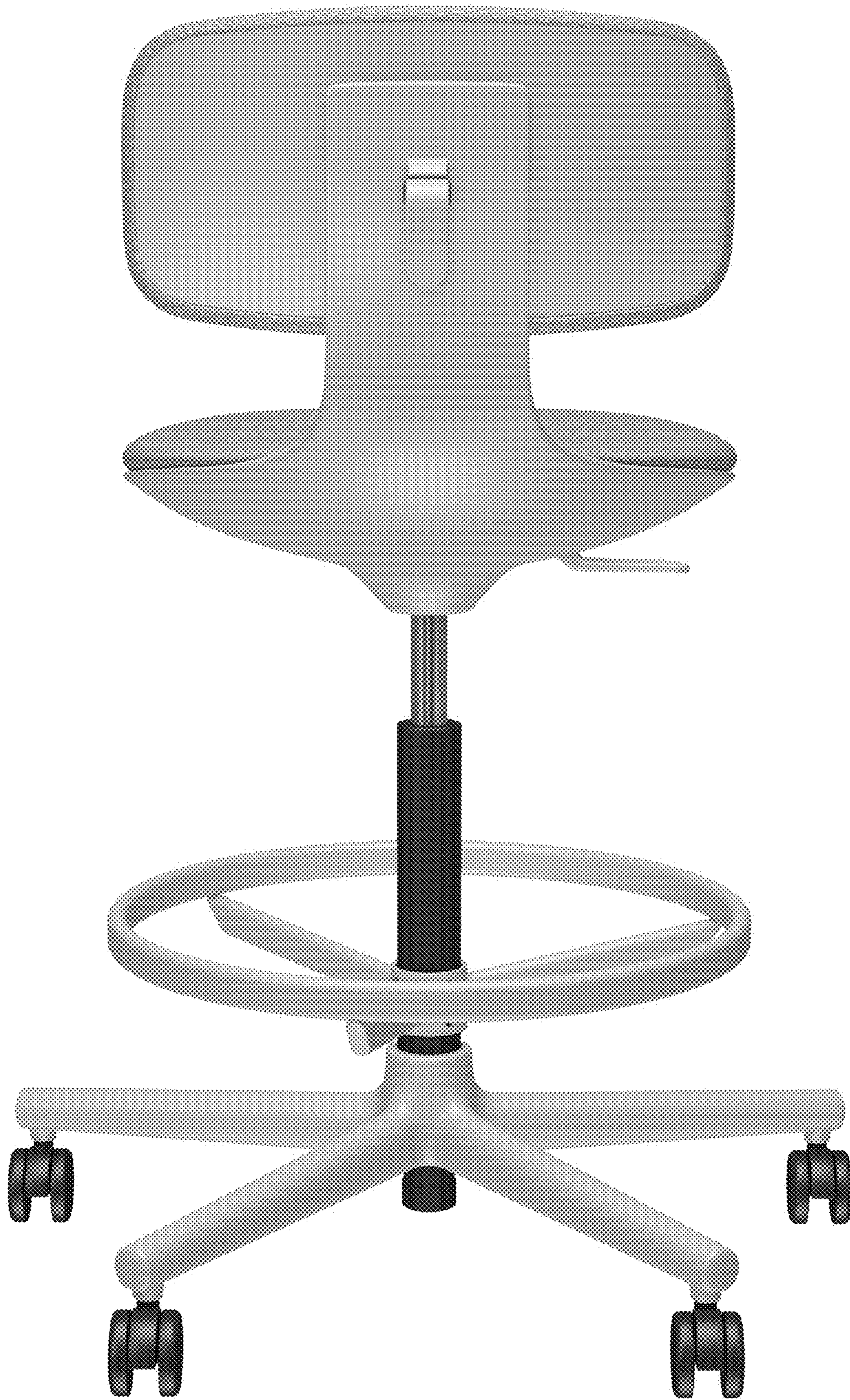


FIG. 4



FIG. 5



FIG. 6