



US00D942169S

(12) **United States Design Patent** (10) **Patent No.:** **US D942,169 S**
Li (45) **Date of Patent:** **** Feb. 1, 2022**

(54) **CHAIR**
(71) Applicant: **Guangzhou MIGE Office Furniture Co., Ltd, Guangzhou (CN)**
(72) Inventor: **Junqin Li, Guangzhou (CN)**
(**) Term: **15 Years**
(21) Appl. No.: **29/763,013**

D566,412 S * 4/2008 de Brabandere D6/375
D628,831 S * 12/2010 Schmitz D6/716
D642,818 S * 8/2011 Caldwell D6/375
D690,147 S * 9/2013 Meyer D6/716
D702,955 S * 4/2014 Meda D6/366
D718,949 S * 12/2014 Meda D6/366
D736,533 S * 8/2015 Ballendat D6/366
D878,788 S 3/2020 Wang et al.
D878,790 S 3/2020 Wang
D879,491 S 3/2020 Wang
D903,360 S * 12/2020 Stevens D6/375
D929,141 S * 8/2021 Diez D6/366

(22) Filed: **Dec. 21, 2020**
(51) **LOC (13) Cl.** **06-01**
(52) **U.S. Cl.**
USPC **D6/366**
(58) **Field of Classification Search**
USPC D6/334-336, 364, 365, 366, 371, 372,
D6/373, 374, 375, 716, 716.1, 716.2,
D6/716.4, 708.23, 708.24
CPC A47C 3/12; A47C 3/18; A47C 5/12; A47C
4/028; A47C 7/004; A47C 7/006; A47C
7/02; A47C 7/16; A47C 7/40
See application file for complete search history.

* cited by examiner

Primary Examiner — Mimosa De

(57) **CLAIM**

The ornamental design for a chair, as shown and described.

DESCRIPTION

FIG. 1 is a first perspective view of a chair showing my new design;
FIG. 2 is a second perspective view thereof;
FIG. 3 is a front view thereof;
FIG. 4 is a back view thereof;
FIG. 5 is a left side view thereof;
FIG. 6 is a right side view thereof;
FIG. 7 is a top view thereof; and,
FIG. 8 is a bottom view thereof.

(56) **References Cited**

U.S. PATENT DOCUMENTS

D215,837 S * 11/1969 Stephens D6/375
D300,484 S * 4/1989 Vignelli D6/373

1 Claim, 8 Drawing Sheets





FIG. 1

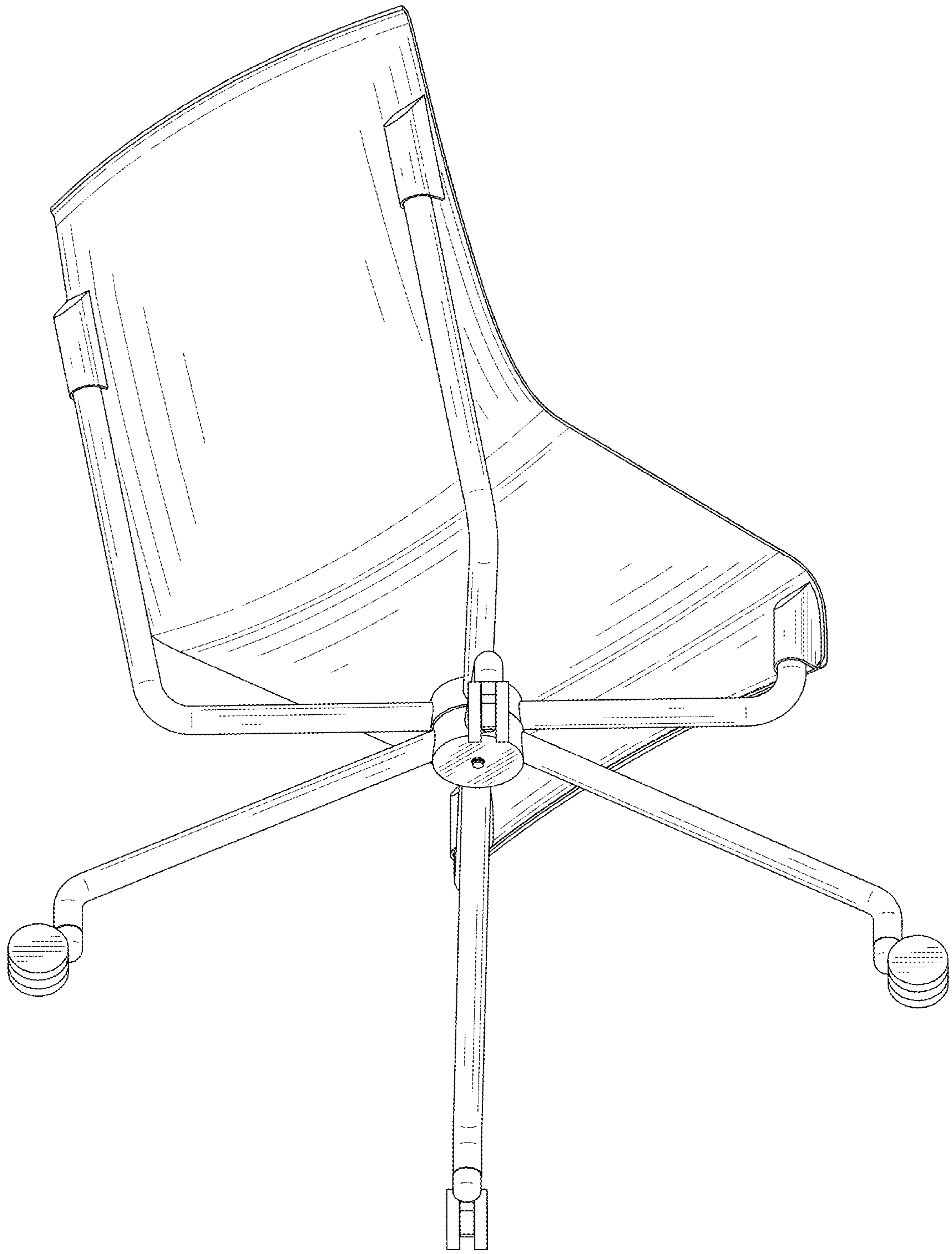


FIG. 2

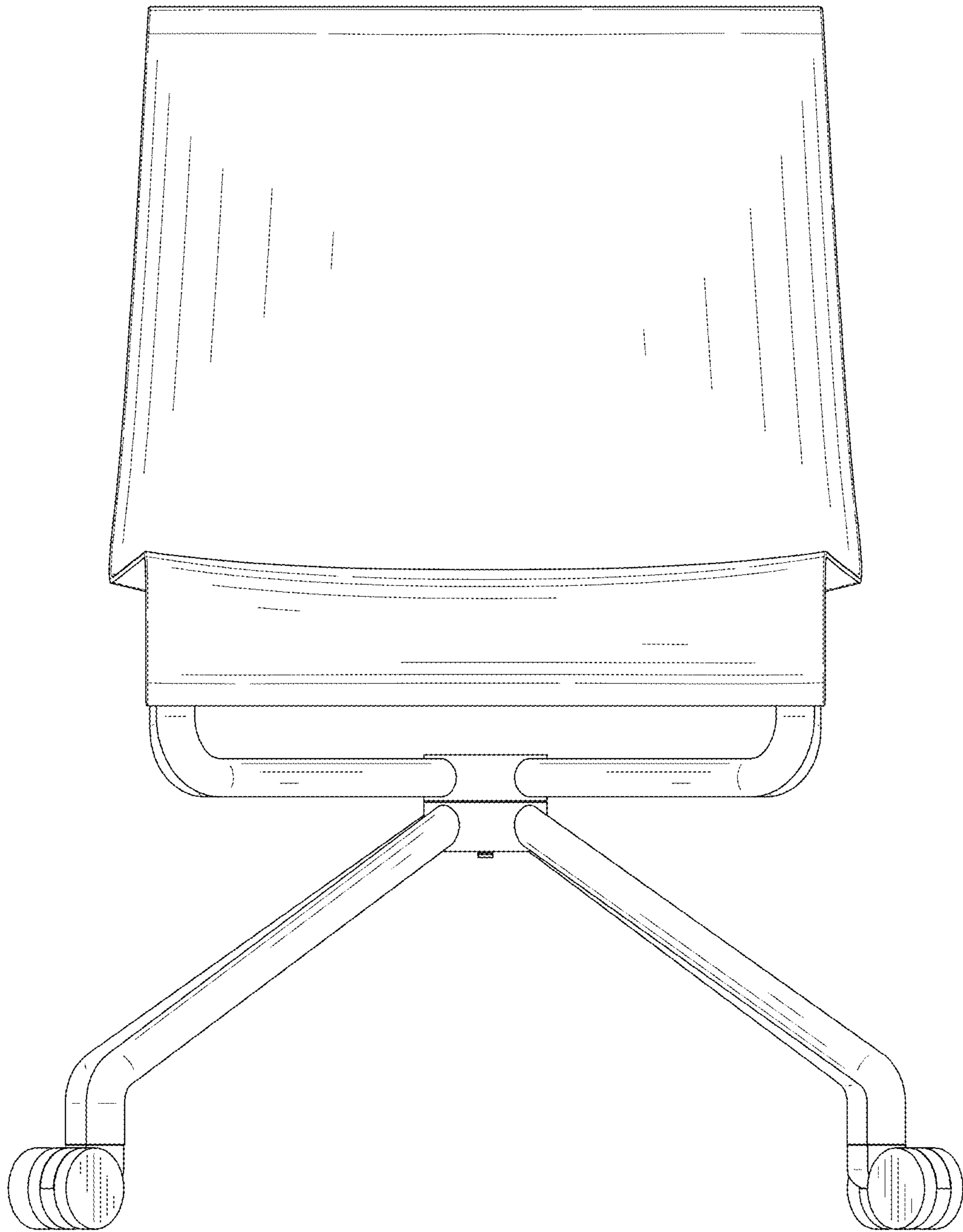


FIG. 3

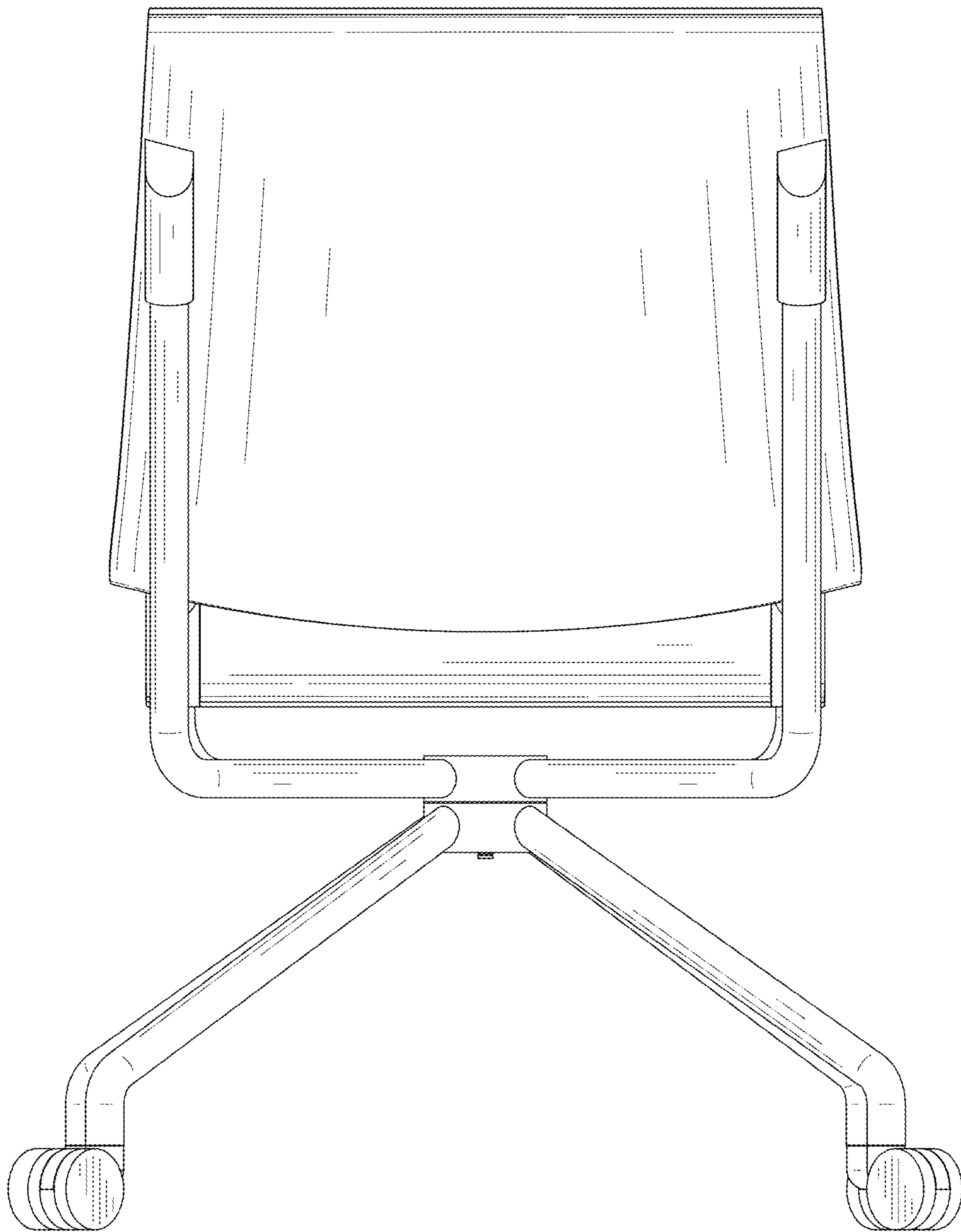


FIG. 4

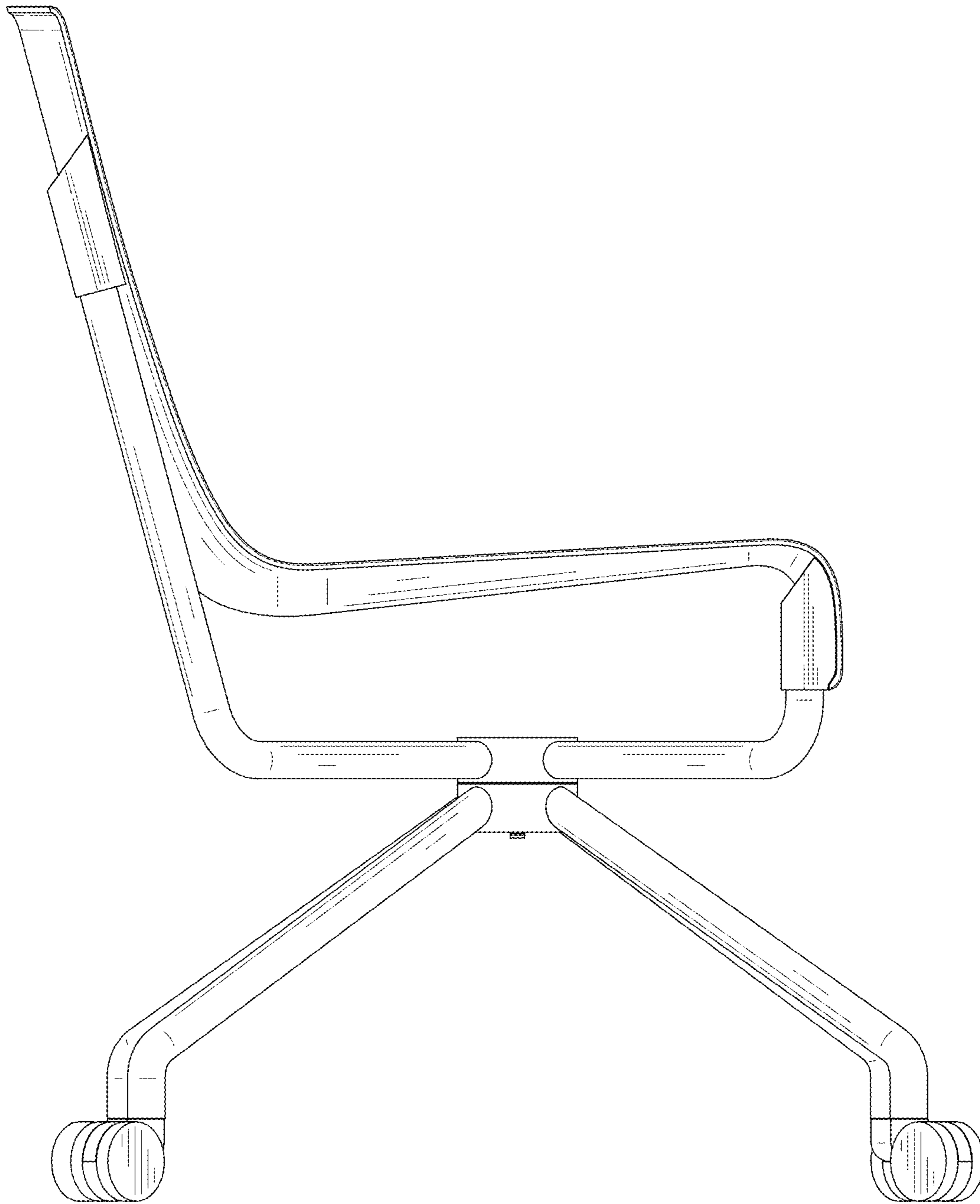


FIG. 5

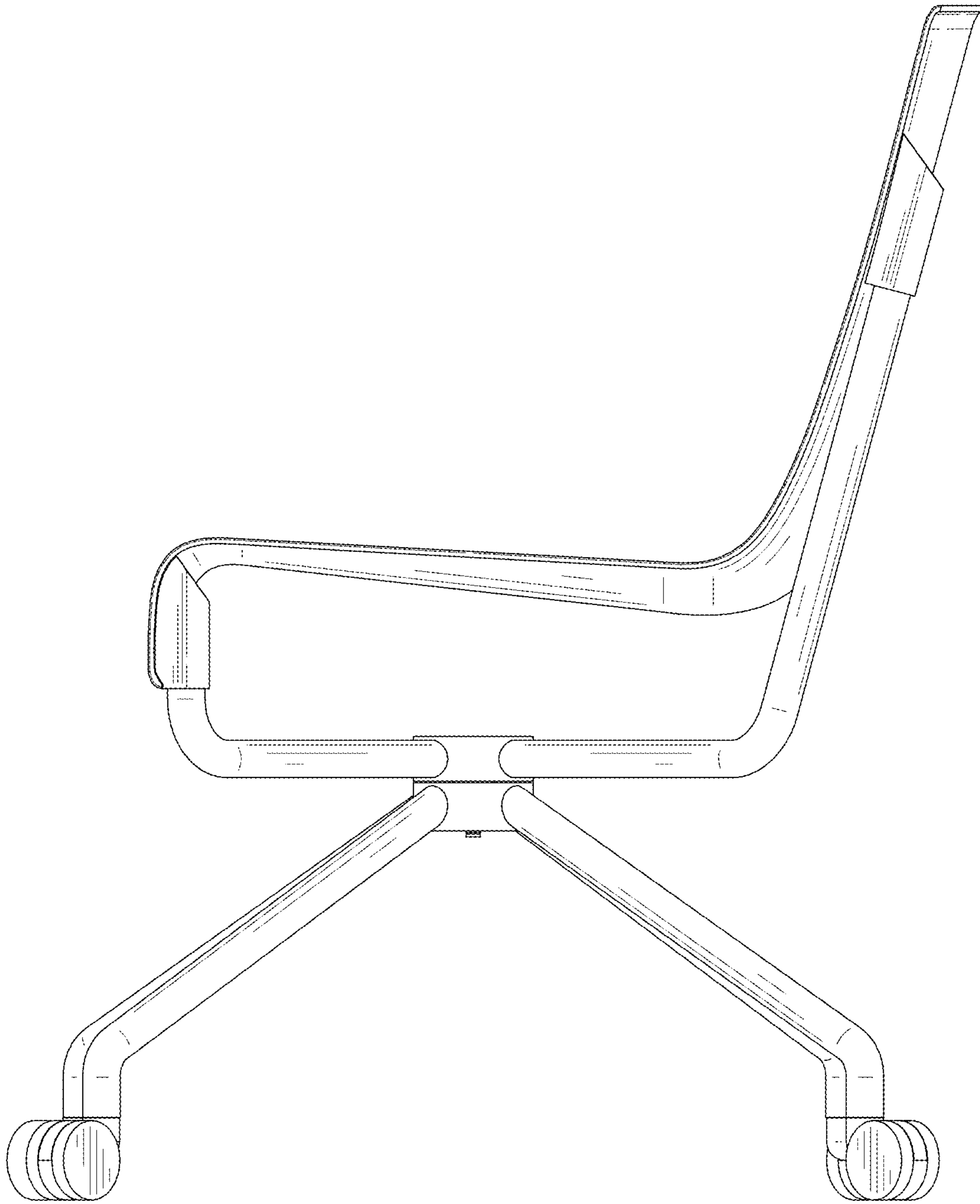


FIG. 6

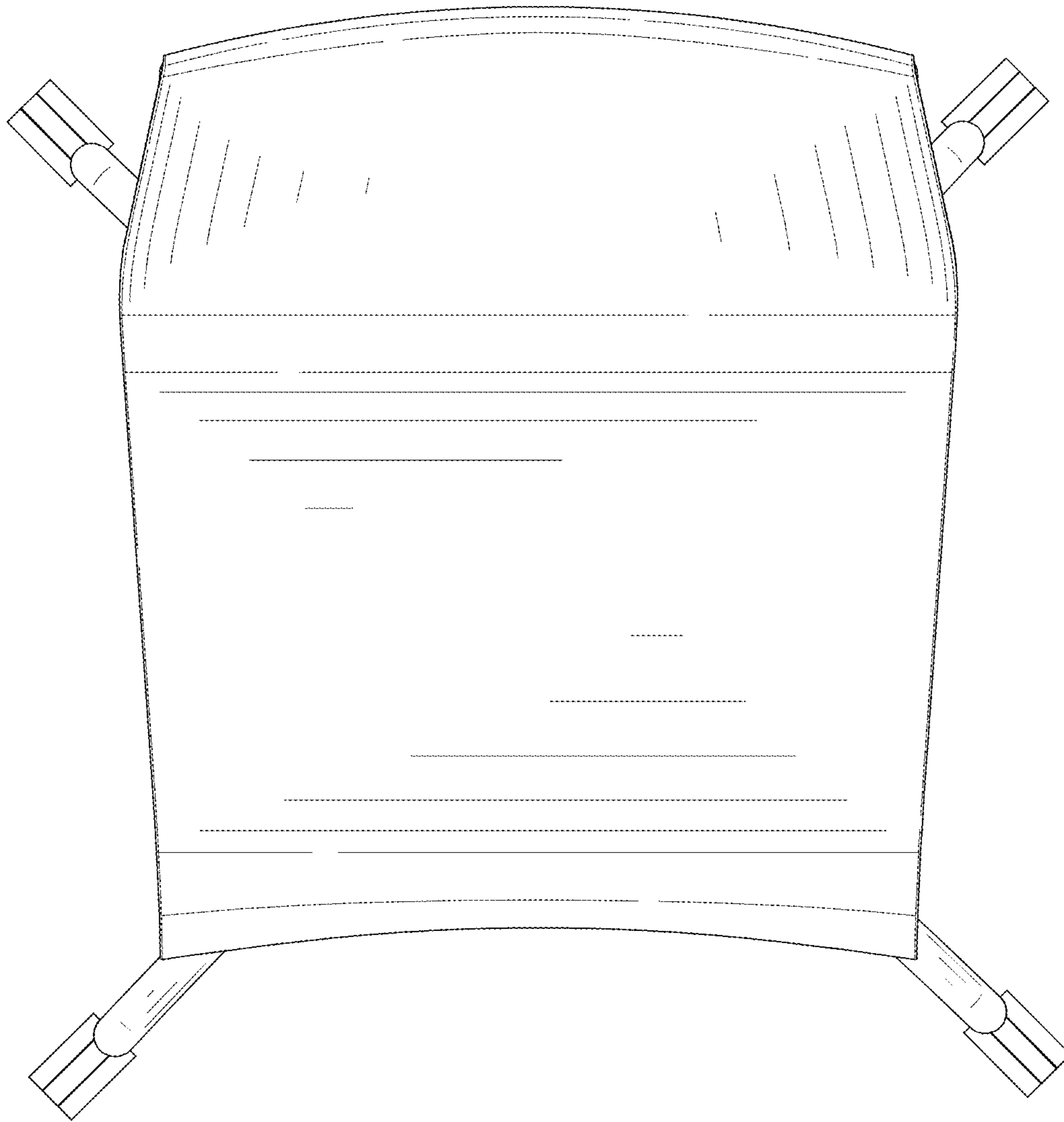


FIG. 7

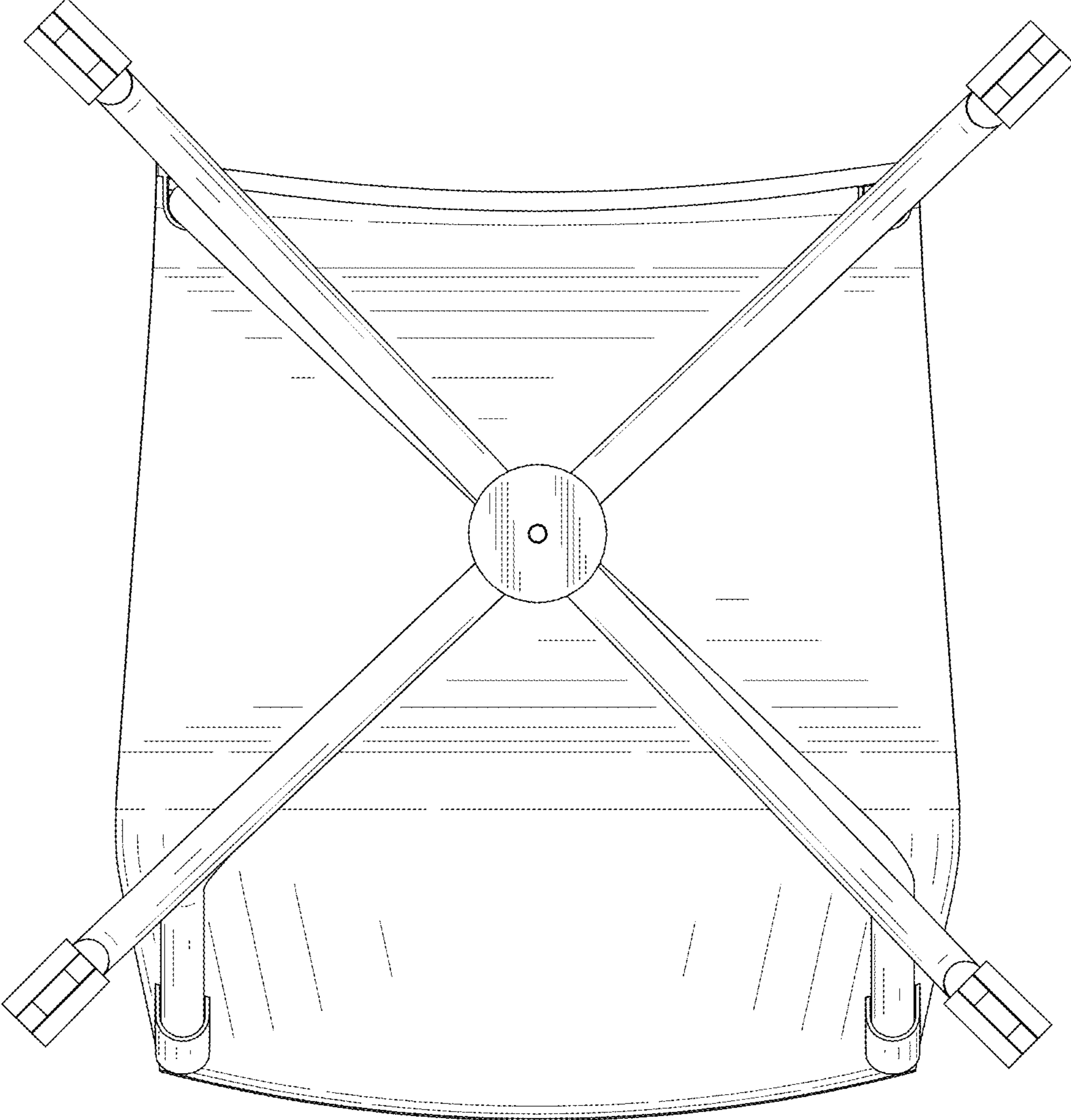


FIG. 8