



US00D942168S

(12) **United States Design Patent** (10) **Patent No.:** **US D942,168 S**
Austad et al. (45) **Date of Patent:** **** Feb. 1, 2022**

(54) **CHAIR**

(71) Applicant: **Flokk AB**, Nässjö (SE)
(72) Inventors: **Øystein Austad**, Oslo (NO); **Jonas Ravlo Stokke**, Oslo (NO)
(73) Assignee: **Flokk AB**, Nässjö (SE)
(**) Term: **15 Years**

(21) Appl. No.: **29/759,903**

(22) Filed: **Nov. 25, 2020**

Related U.S. Application Data

(62) Division of application No. 29/682,954, filed on Mar. 8, 2019, now Pat. No. Des. 913,002.

(30) **Foreign Application Priority Data**

Jan. 18, 2019 (WO) 79402

(51) **LOC (13) Cl.** **06-01**

(52) **U.S. Cl.**
USPC **D6/366**

(58) **Field of Classification Search**
USPC D6/334-336, 364, 365, 366, 367, 374,
D6/379, 716, 716.1, 716.4, 708.23,
D6/708.24

(Continued)

(56) **References Cited**

U.S. PATENT DOCUMENTS

D362,974 S * 10/1995 Olson D6/366
D374,778 S * 10/1996 Tedesco D6/366

(Continued)

Primary Examiner — Mimosa De

(74) *Attorney, Agent, or Firm* — Kolisch Hartwell, P.C.

(57) **CLAIM**

The ornamental design for a chair, as shown.

DESCRIPTION

FIG. 1 is an upper, front, and right side perspective view of a first embodiment of a chair showing the new design;

FIG. 2 is a lower, rear, and left side perspective view thereof;
FIG. 3 is a right side elevation view thereof;
FIG. 4 is a front elevation view thereof;
FIG. 5 is a left side elevation view thereof;
FIG. 6 is a rear elevation view thereof;
FIG. 7 is a front and right side elevation view thereof;
FIG. 8 is a top plan view thereof;
FIG. 9 is a bottom plan view thereof;
FIG. 10 is an upper, front, and right side perspective view of a second embodiment of a chair showing the new design;
FIG. 11 is a lower, rear, and left side perspective view thereof;
FIG. 12 is a right side elevation view thereof;
FIG. 13 is a front elevation view thereof;
FIG. 14 is a left side elevation view thereof;
FIG. 15 is a rear elevation view thereof;
FIG. 16 is a front and right side elevation view thereof;
FIG. 17 is a top plan view thereof;
FIG. 18 is a bottom plan view thereof;
FIG. 19 is an upper, front, and right side perspective view of a third embodiment of a chair showing the new design;
FIG. 20 is a lower, rear, and left side perspective view thereof;
FIG. 21 is a right side elevation view thereof;
FIG. 22 is a front elevation view thereof;
FIG. 23 is a left side elevation view thereof;
FIG. 24 is a rear elevation view thereof;
FIG. 25 is a front and right side elevation view thereof;
FIG. 26 is a top plan view thereof;
FIG. 27 is a bottom plan view thereof;
FIG. 28 is an upper, front, and right side perspective view of a fourth embodiment of a chair showing the new design;
FIG. 29 is a lower, rear, and left side perspective view thereof;
FIG. 30 is a right side elevation view thereof;
FIG. 31 is a front elevation view thereof;
FIG. 32 is a left side elevation view thereof;
FIG. 33 is a rear elevation view thereof;
FIG. 34 is a front and right side elevation view thereof;
FIG. 35 is a top plan view thereof; and,
FIG. 36 is a bottom plan view thereof.

1 Claim, 36 Drawing Sheets



(58) **Field of Classification Search**

CPC A47C 7/004; A47C 7/006; A47C 7/18;
A47C 7/24; A47C 7/40; A47C 7/46;
A47C 3/18; A47C 3/20; A47C 7/002

See application file for complete search history.

(56) **References Cited**

U.S. PATENT DOCUMENTS

D557,027	S	*	12/2007	Hara	D6/366
D607,672	S	*	1/2010	Kubryk	D6/716
D613,087	S	*	4/2010	Fujita	D6/366
D613,088	S	*	4/2010	Fujita	D6/366
D654,280	S	*	2/2012	Fujita	D6/366
D654,710	S	*	2/2012	Fujita	D6/366
D670,927	S	*	11/2012	Hurford	D6/366
D679,107	S	*	4/2013	Darrow	D6/366
D714,563	S	*	10/2014	Amdal	D6/366
D816,363	S	*	5/2018	Su	D6/366
D884,376	S	*	5/2020	Pensi	D6/366
D893,907	S	*	8/2020	Borghov	D6/366
D913,002	S	*	3/2021	Austad	D6/366

* cited by examiner



FIG. 1



FIG. 2



FIG. 3



FIG. 4



FIG. 5



FIG. 6



FIG. 7



FIG. 8

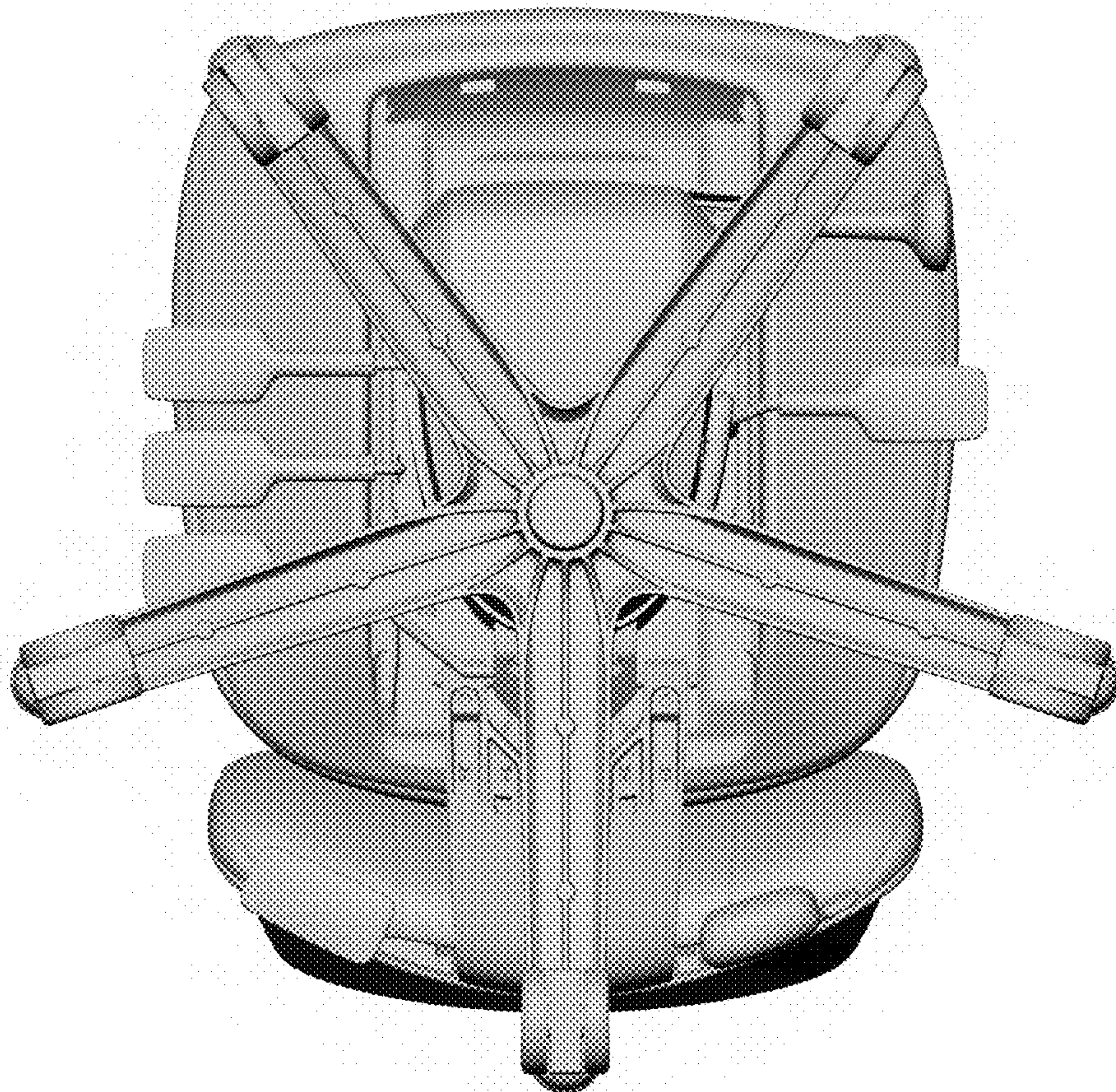


FIG. 9



FIG. 10



FIG. 11



FIG. 12



FIG. 13



FIG. 14



FIG. 15



FIG. 16



FIG. 17

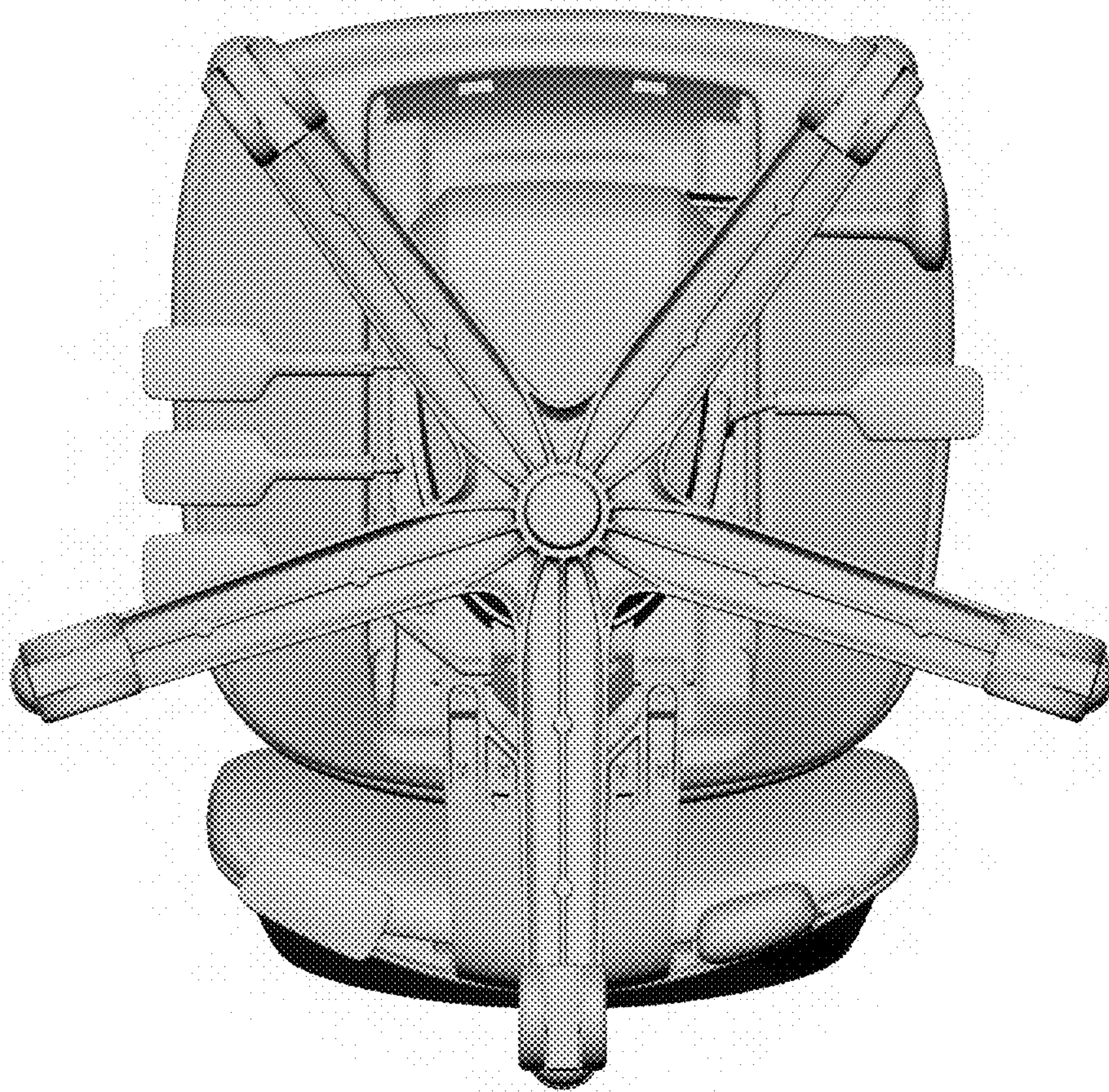


FIG. 18



FIG. 19



FIG. 20



FIG. 21



FIG. 22



FIG. 23



FIG. 24



FIG. 25



FIG. 26

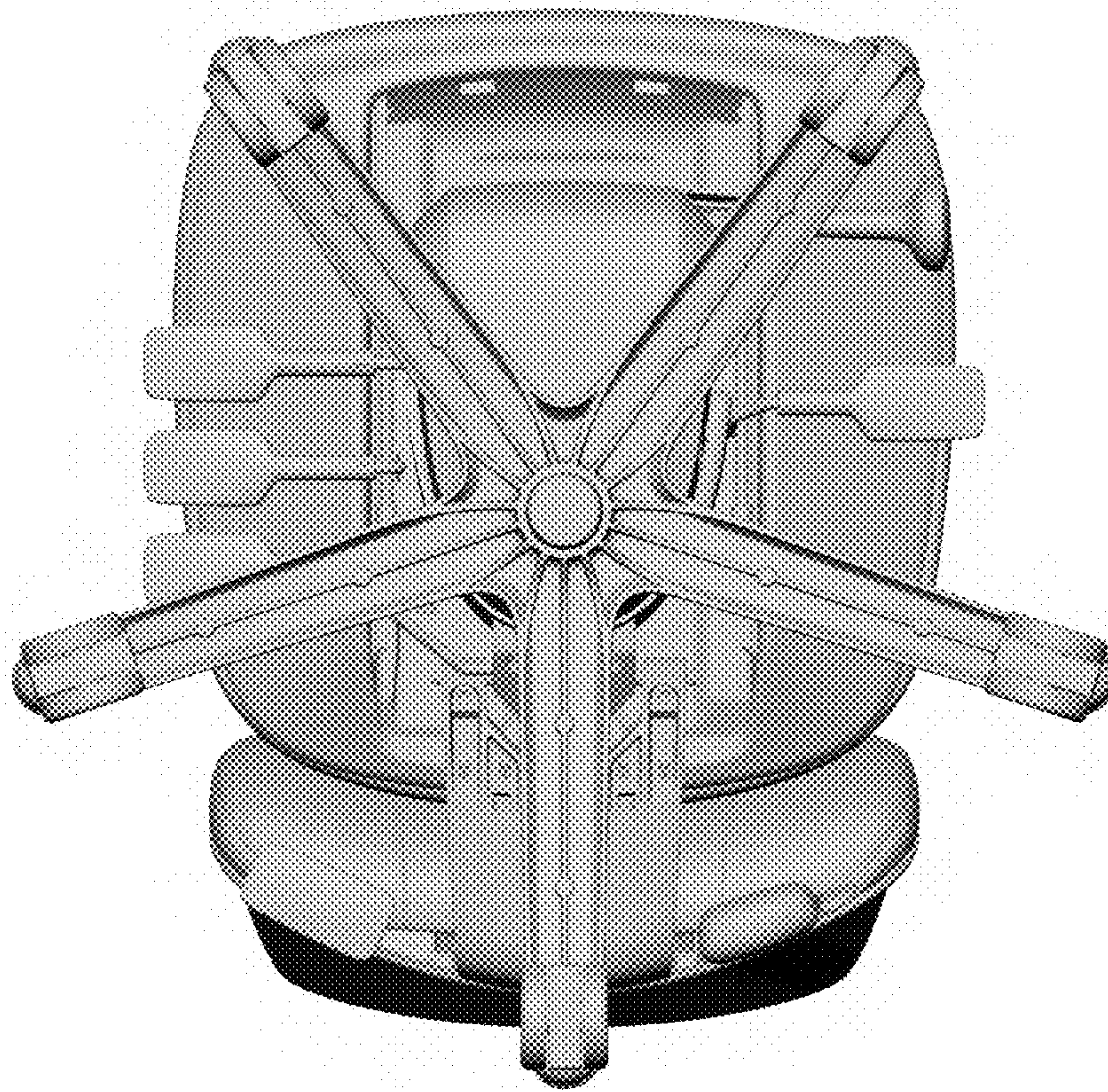


FIG. 27



FIG. 28



FIG. 29



FIG. 30



FIG. 31



FIG. 32



FIG. 33



FIG. 34



FIG. 35

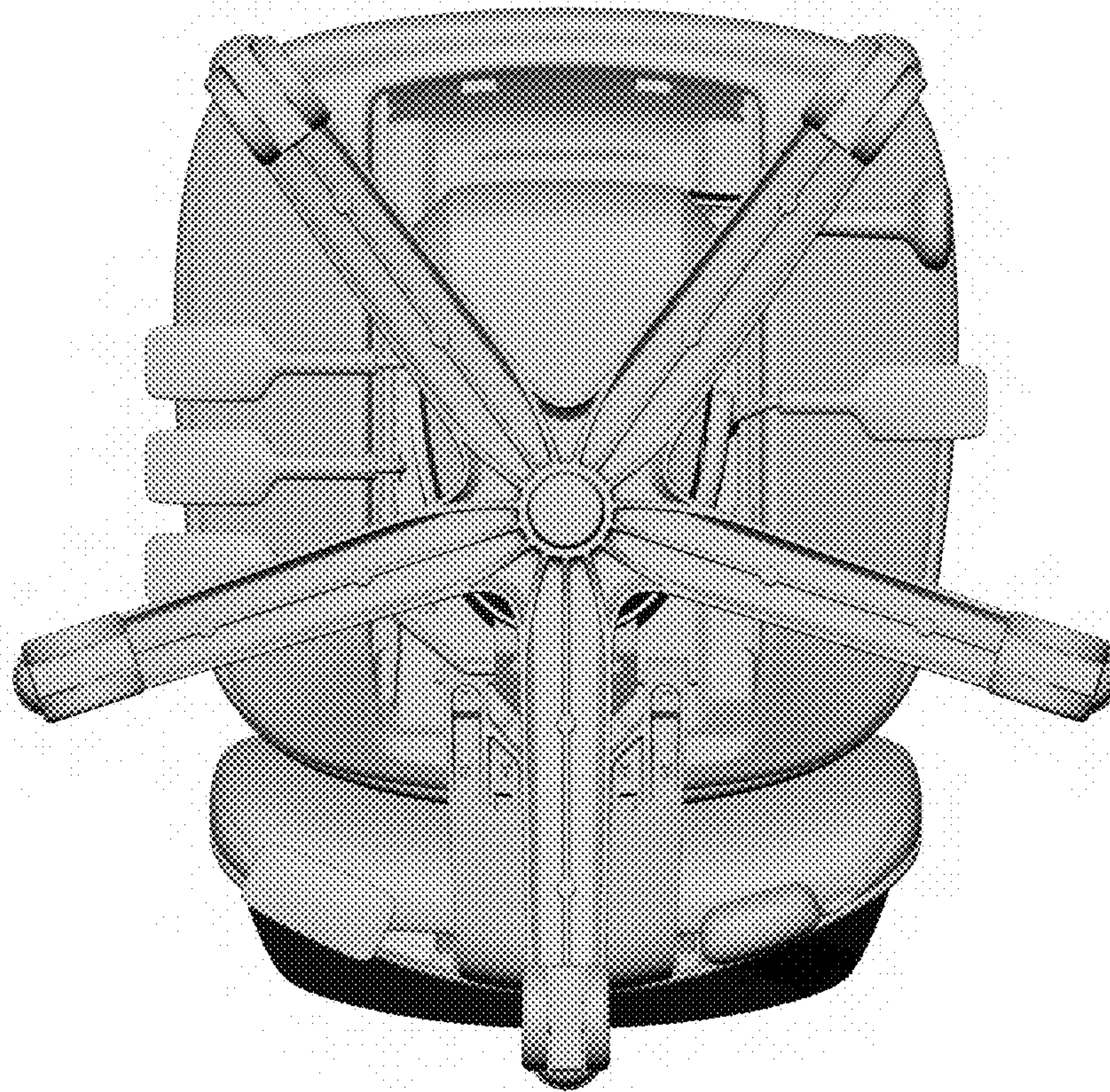


FIG. 36