



US00D942167S

(12) **United States Design Patent** (10) **Patent No.:** **US D942,167 S**  
**Xiao** (45) **Date of Patent:** **\*\* Feb. 1, 2022**

(54) **SUN LOUNGER**  
(71) Applicant: **TAIZHOU SUKK FURNITURE CO., LTD**, Zhejiang (CN)  
(72) Inventor: **Shuangshuang Xiao**, Zhejiang (CN)  
(73) Assignee: **TAIZHOU SUKK FURNITURE CO., LTD**, Taizhou (CN)  
(\*\*) Term: **15 Years**  
(21) Appl. No.: **29/776,143**  
(22) Filed: **Mar. 29, 2021**

D336,998 S 7/1993 Grosfillex  
D372,798 S \* 8/1996 Robertson ..... D6/361  
D376,268 S 12/1996 Grosfillex  
D385,118 S 10/1997 Grosfillex  
D404,582 S \* 1/1999 Robertson, Jr. .... D6/361  
D414,616 S \* 10/1999 Walters ..... D6/361  
D427,443 S \* 7/2000 Hand ..... D6/361  
D509,967 S \* 9/2005 Nardi ..... D6/370  
D513,368 S \* 1/2006 Nardi ..... D6/367  
D515,324 S 2/2006 Grosfillex  
D517,333 S 3/2006 Grosfillex  
D595,060 S 6/2009 Van Duysen  
D739,154 S \* 9/2015 Eliyahu ..... D6/361  
D802,313 S 11/2017 Bernardi  
D845,657 S \* 4/2019 Balliu Falgueras ..... D6/361  
D898,391 S 10/2020 Hagerty  
D923,348 S \* 6/2021 Xiao ..... D6/361

**Related U.S. Application Data**

(62) Division of application No. 29/714,071, filed on Nov. 21, 2019, now Pat. No. Des. 923,348.  
(51) **LOC (13) Cl.** ..... **06-01**  
(52) **U.S. Cl.**  
USPC ..... **D6/361**  
(58) **Field of Classification Search**  
USPC ..... D6/334-336, 361, 367, 368, 369, 370, D6/374, 375, 379, 716, 716.1, 716.2, D6/716.3, 716.4  
CPC ..... A47C 1/02; A47C 1/024; A47C 1/025; A47C 1/14; A47C 1/026; A47C 1/143; A47C 5/02; A47C 7/402; A47C 7/50  
See application file for complete search history.

\* cited by examiner

*Primary Examiner* — Mimosa De

(57) **CLAIM**

The ornamental design for a sun lounger, as shown and described.

**DESCRIPTION**

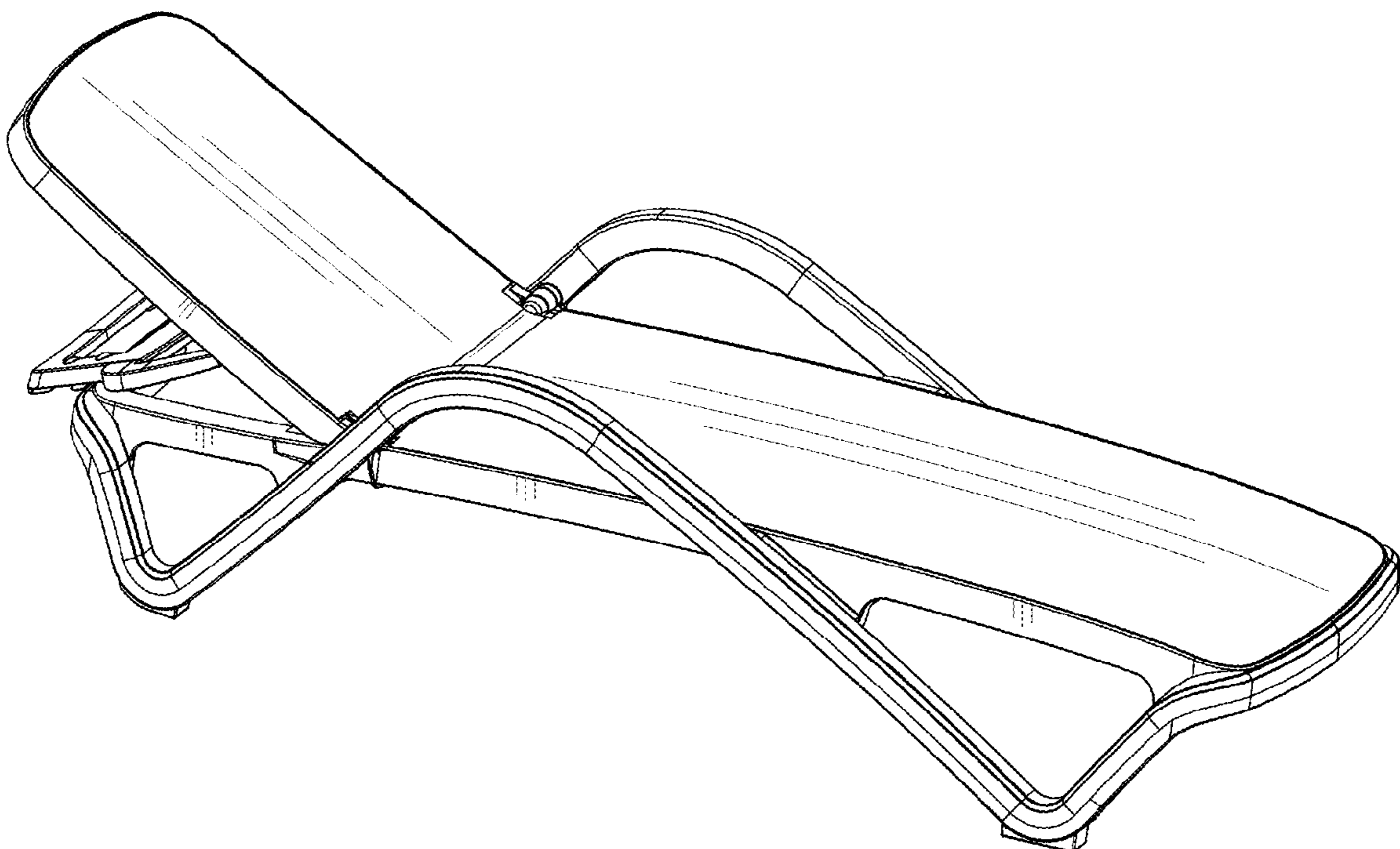
FIG. 1 is a perspective view of a sun lounger showing my new design;  
FIG. 2 is a front elevational view thereof;  
FIG. 3 is a rear elevational view thereof;  
FIG. 4 is a left side elevational view thereof;  
FIG. 5 is a right side elevational view thereof; and,  
FIG. 6 is a top plan view thereof.

(56) **References Cited**

**U.S. PATENT DOCUMENTS**

D306,804 S \* 3/1990 Frinier ..... D6/361  
D332,705 S \* 1/1993 Rougerie ..... D6/361

**1 Claim, 6 Drawing Sheets**



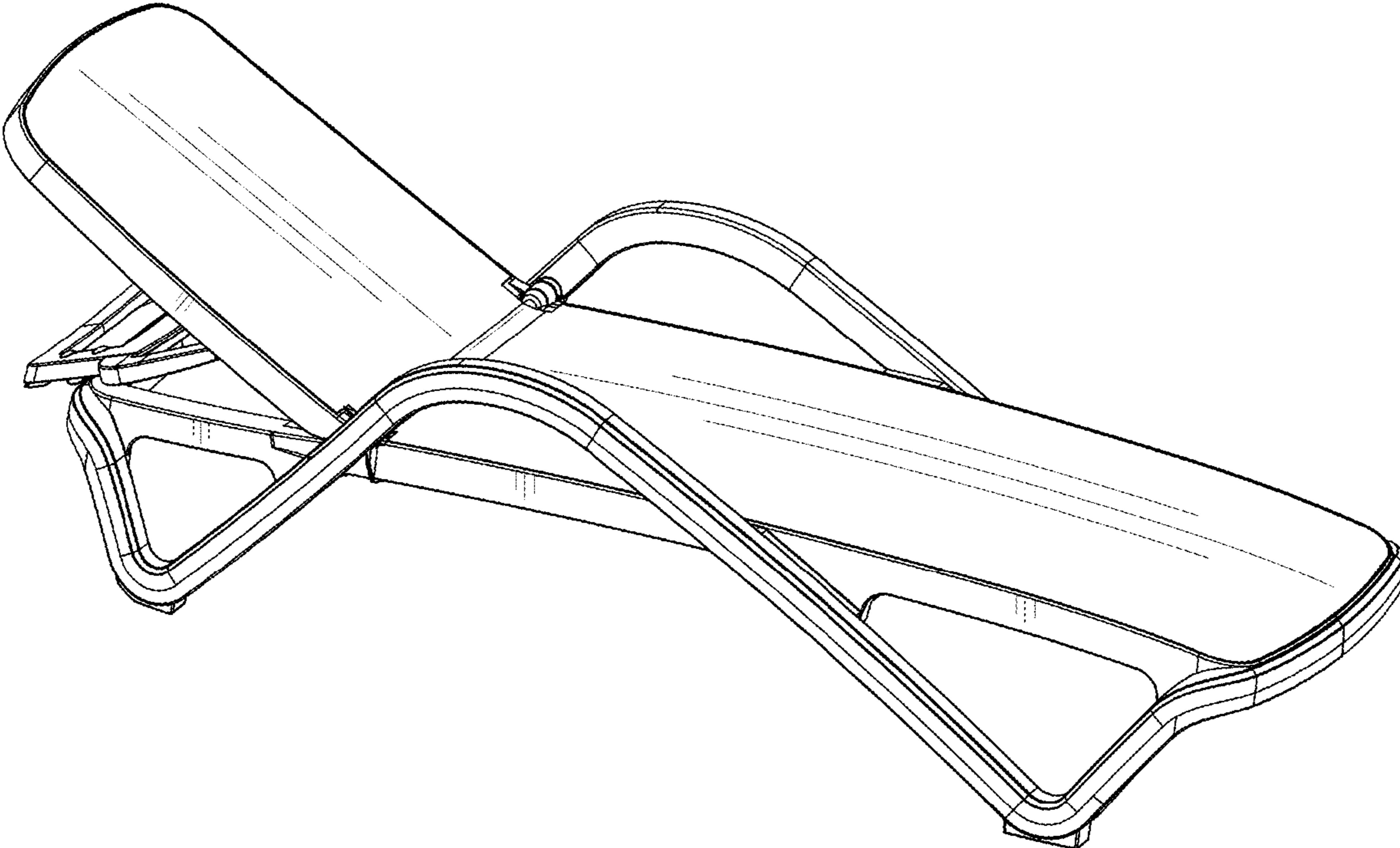


FIG. 1

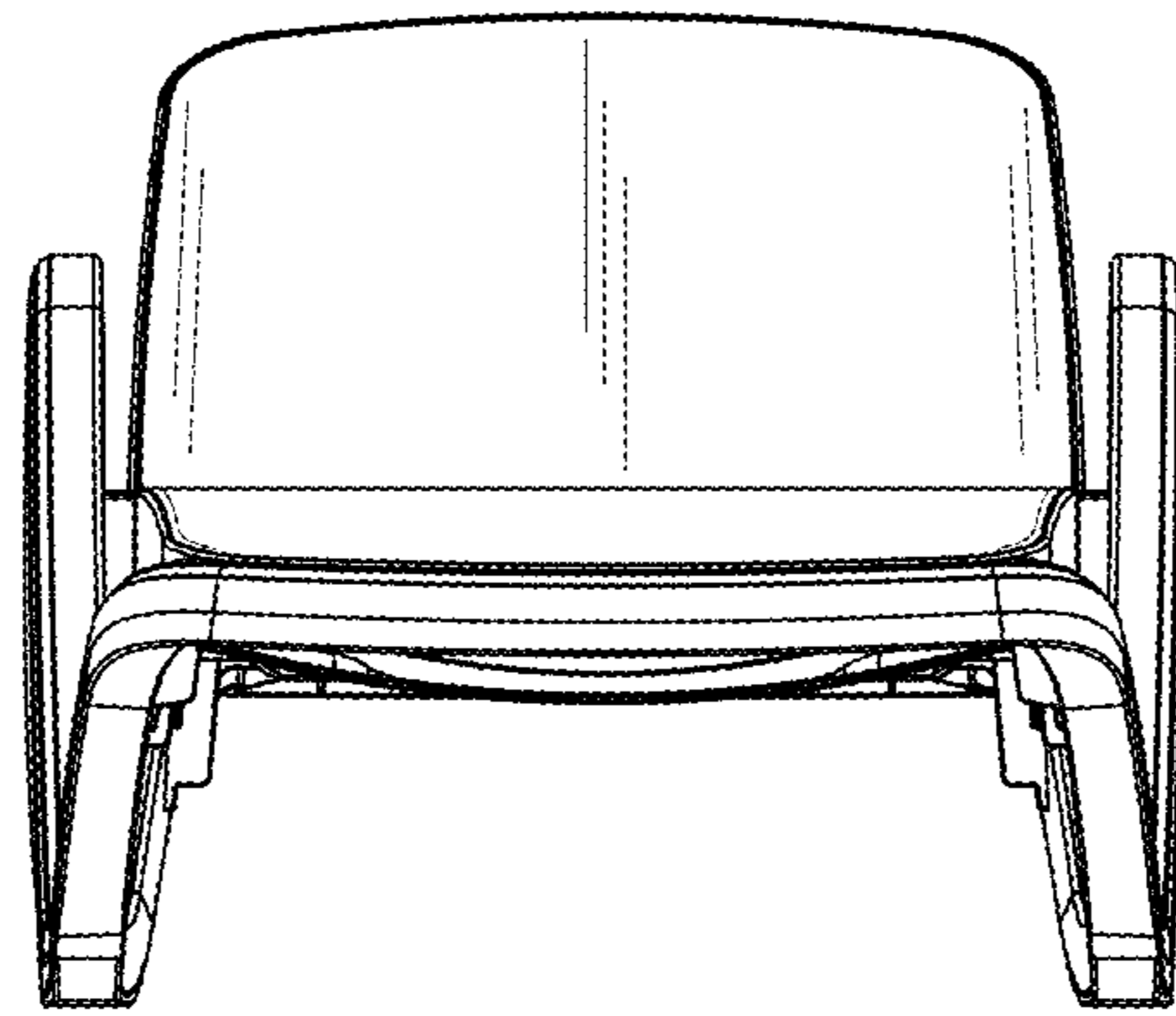


FIG. 2

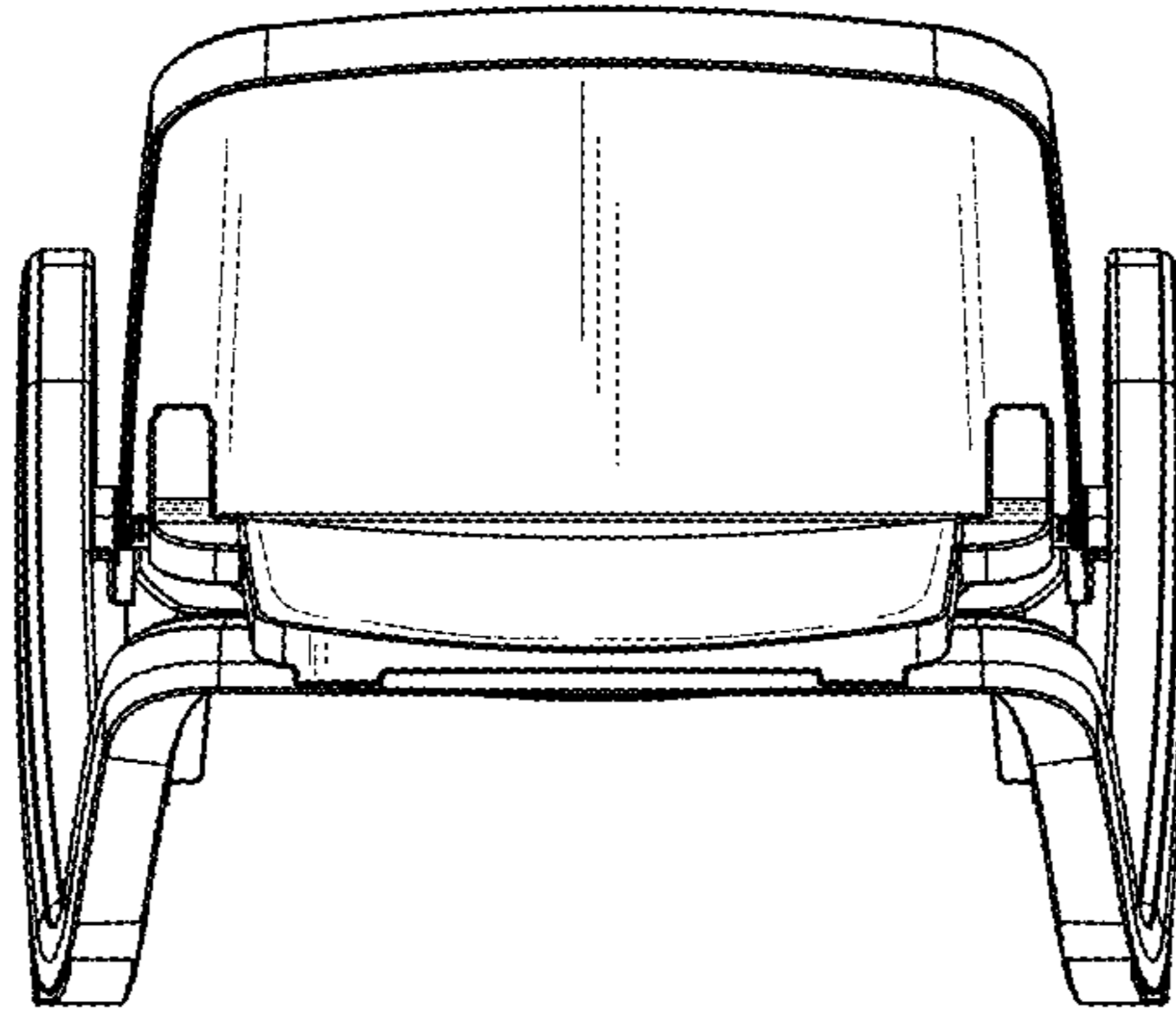


FIG. 3

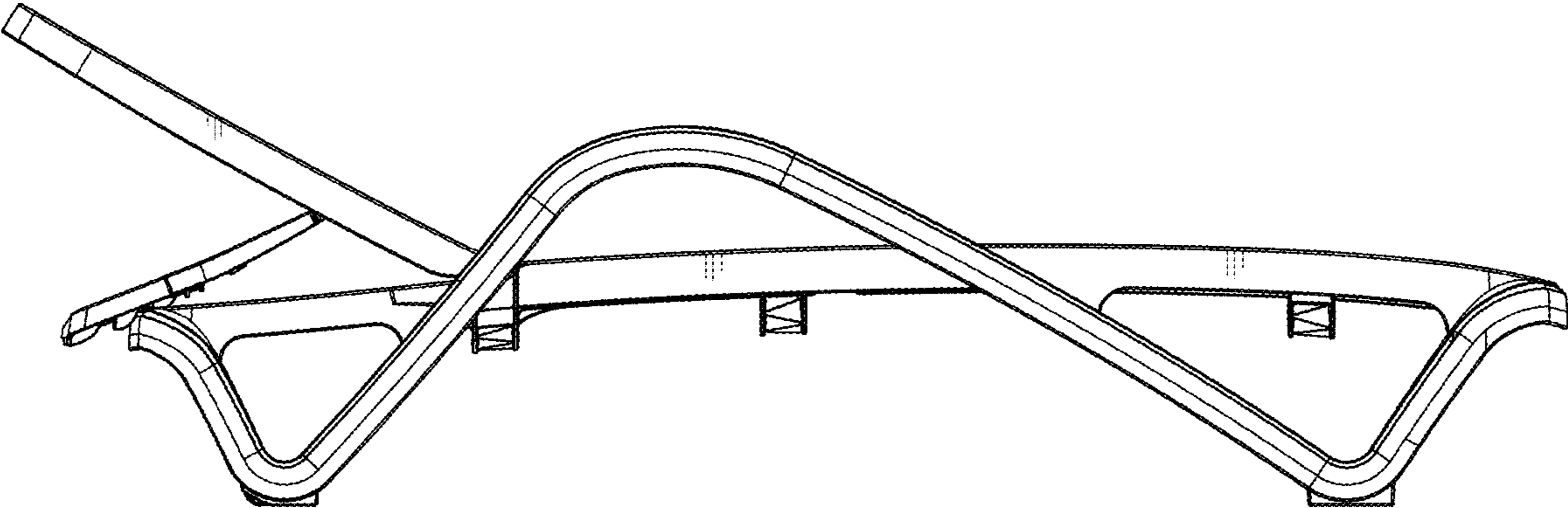


FIG. 4

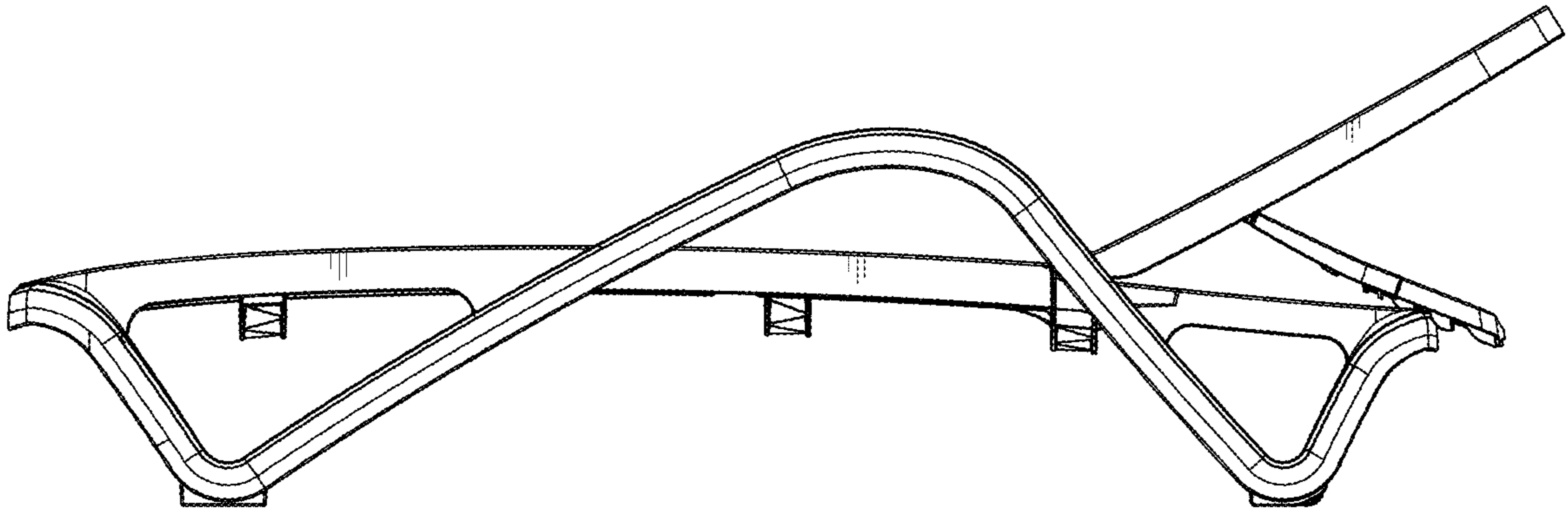


FIG. 5

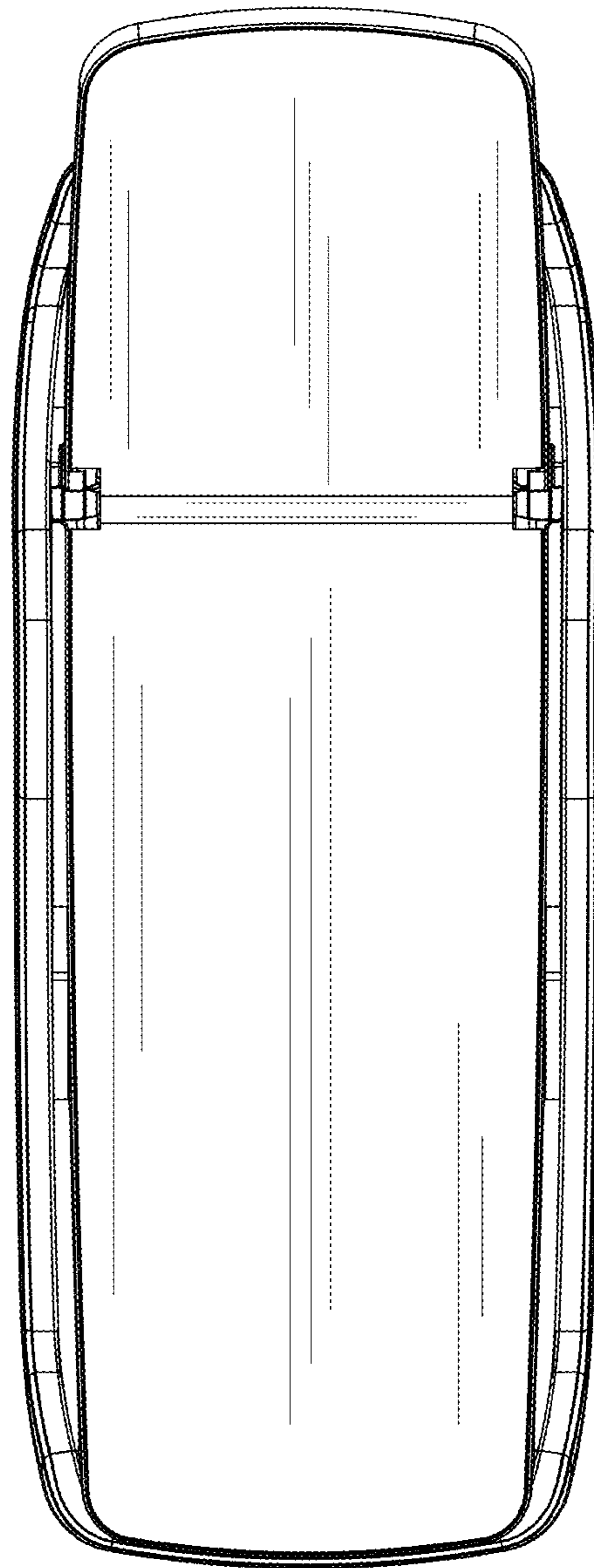


FIG. 6