



US00D942164S

(12) **United States Design Patent** (10) **Patent No.:** **US D942,164 S**  
**Oliva et al.** (45) **Date of Patent:** **\*\* Feb. 1, 2022**

(54) **MODULAR SPA CHAIR**

FOREIGN PATENT DOCUMENTS

(71) Applicant: **DashBar, Inc.**, Davie, FL (US)

CN 303164551 \* 11/2014

(72) Inventors: **Carla Oliva**, Davie, FL (US); **Lucas Leibman**, New York, NY (US)

OTHER PUBLICATIONS

(73) Assignee: **DashBar, Inc.**, Davie, FL (US)

Instant Beauty Key Biscayne Magazine [online], [site visited Jun. 17, 2021]. Available from internet, URL: <http://keybiscaynemag.com/instant-beauty/> (Year: 2020).\*

(\*\*) Term: **15 Years**

(Continued)

(21) Appl. No.: **29/722,624**

*Primary Examiner* — Cynthia Ramirez

(22) Filed: **Jan. 31, 2020**

*Assistant Examiner* — Xavier Marti-Santos

(51) **LOC (13) Cl.** ..... **06-01**

(74) *Attorney, Agent, or Firm* — Lerner, David, Littenberg, Krumholz & Mentlik, LLP

(52) **U.S. Cl.**

(57) **CLAIM**

USPC ..... **D6/336**

The ornamental design for a modular spa chair, as shown and described.

(58) **Field of Classification Search**

**DESCRIPTION**

USPC ..... D6/334, 335, 336, 353, 360, 365, 374, D6/375, 708, 708.18, 716, 716.1–716.8; D23/276–278; D24/201–205, 213; D28/56, 61

CPC .... A47C 1/00; A47C 1/02; A47C 1/04; A47C 17/02; A47C 17/04; A47C 17/045; A47C 17/13; A47C 17/132; A47C 17/134; A47C 17/161; A47C 17/162; A47C 17/163; A47C 17/17; A47C 17/16; A47C 17/18; A47C 17/20; A47C 17/86; A47K 3/022; A47K 3/062; A61H 35/006; A61H 2035/004

See application file for complete search history.

This application is related to application Ser. No. 29/722, 632, application Ser. No. 29/722,639, and application Ser. No. 29/722,656, all of which are concurrently filed herewith and entitled Modular Spa Chair, and the disclosures all of which are incorporated herein by reference.

FIG. 1 is a front perspective view of a modular spa chair according to a first embodiment of our new design;

FIG. 2 is a front elevation view thereof;

FIG. 3 is a rear elevation view thereof;

FIG. 4 is a right side elevation view thereof;

FIG. 5 is a left side elevation view thereof;

FIG. 6 is a top plan view thereof;

FIG. 7 is a rear perspective view thereof;

FIG. 8 is a front perspective view of the modular spa chair in an open position according to the first embodiment; and, FIG. 9 is a side perspective view of FIG. 8.

The broken lines shown in the drawings are for the purpose of illustrating portions of the modular spa chair, which form no part of the claimed design.

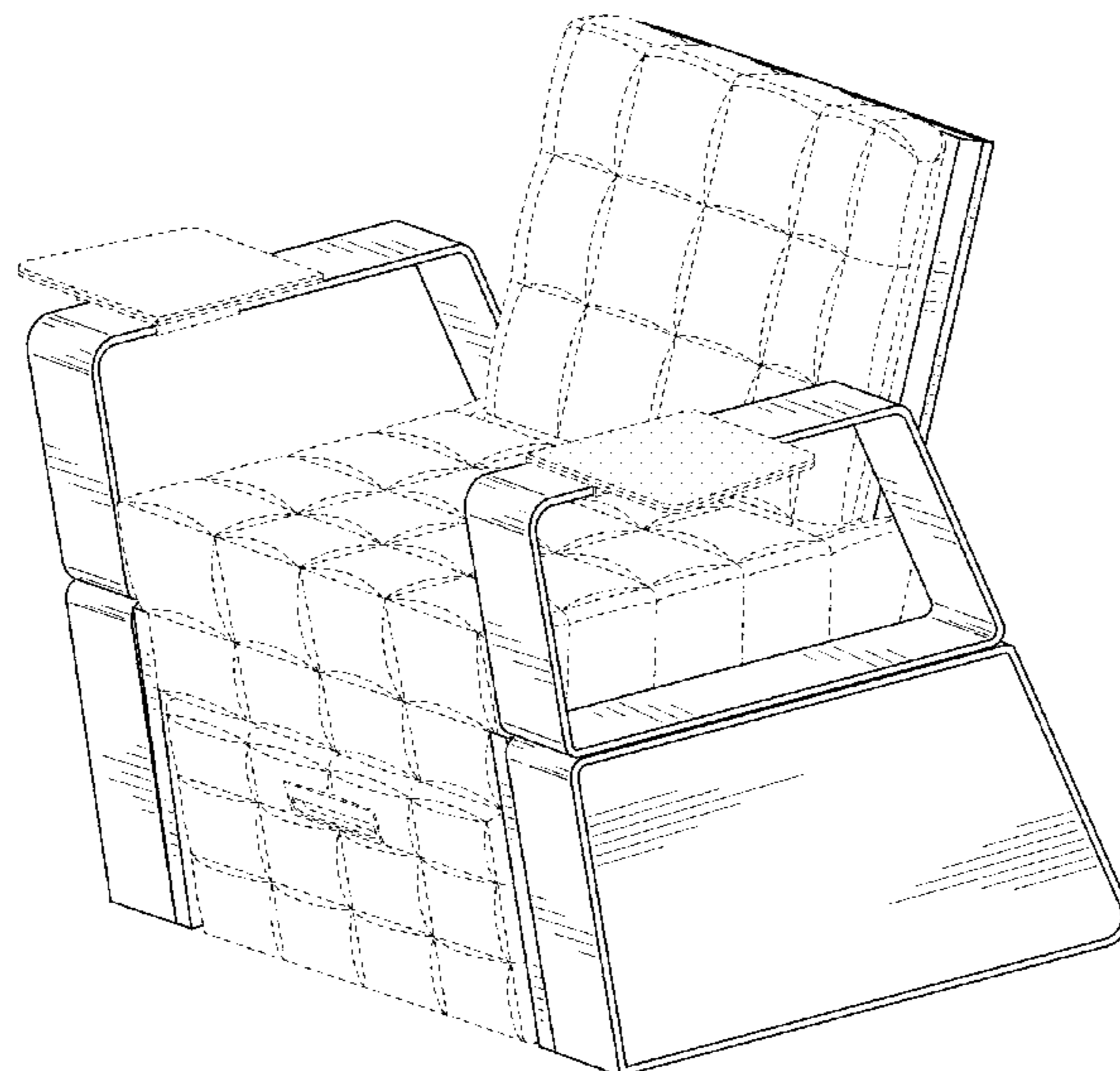
(56) **References Cited**

U.S. PATENT DOCUMENTS

D227,954 S \* 7/1973 Gill ..... D6/336  
D231,878 S \* 6/1974 Kellum ..... D6/334  
D340,142 S \* 10/1993 Totoro ..... D6/367  
D361,674 S \* 8/1995 Carter, Sr. .... D6/335  
D432,804 S \* 10/2000 Mizelle ..... D6/360  
D641,178 S \* 7/2011 Drilling ..... D6/334

(Continued)

**1 Claim, 8 Drawing Sheets**



(56)

**References Cited**

U.S. PATENT DOCUMENTS

D659,413 S \* 5/2012 Arko ..... D6/334  
D721,527 S \* 1/2015 Petruccelli ..... D6/708.18  
D740,575 S \* 10/2015 Scott ..... D6/334  
D741,071 S \* 10/2015 Fernandez ..... D6/335  
D801,708 S \* 11/2017 Petruccelli ..... D6/335  
D917,185 S \* 4/2021 Reid ..... D6/334

OTHER PUBLICATIONS

TheDashBar youtube channel [online], [site visited Jun. 17, 2021].  
Available from internet, URL: <<https://www.youtube.com/watch?v=IYCJ-Hulm8M>> (Year: 2020).\*

Oliva et al., "Modular Spa Chair," Design U.S. Appl. No. 29/722,632,  
filed Jan. 31, 2020 (not yet published).

Oliva et al., "Modular Spa Chair," Design U.S. Appl. No. 29/722,639,  
filed Jan. 31, 2020 (not yet published).

Oliva et al., "Modular Spa Chair," Design U.S. Appl. No. 29/722,656,  
filed Jan. 31, 2020 (not yet published).

\* cited by examiner

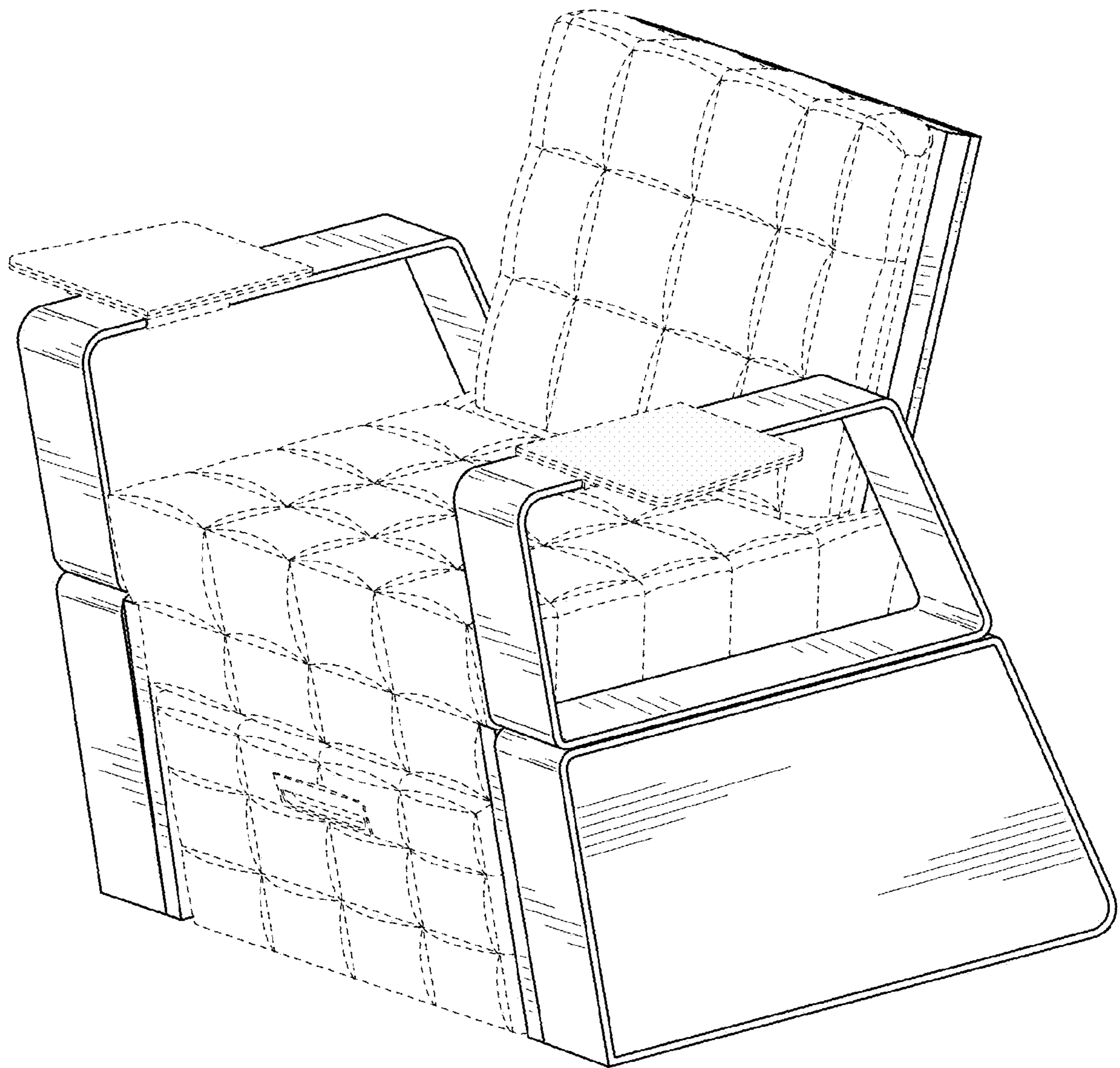


FIG. 1

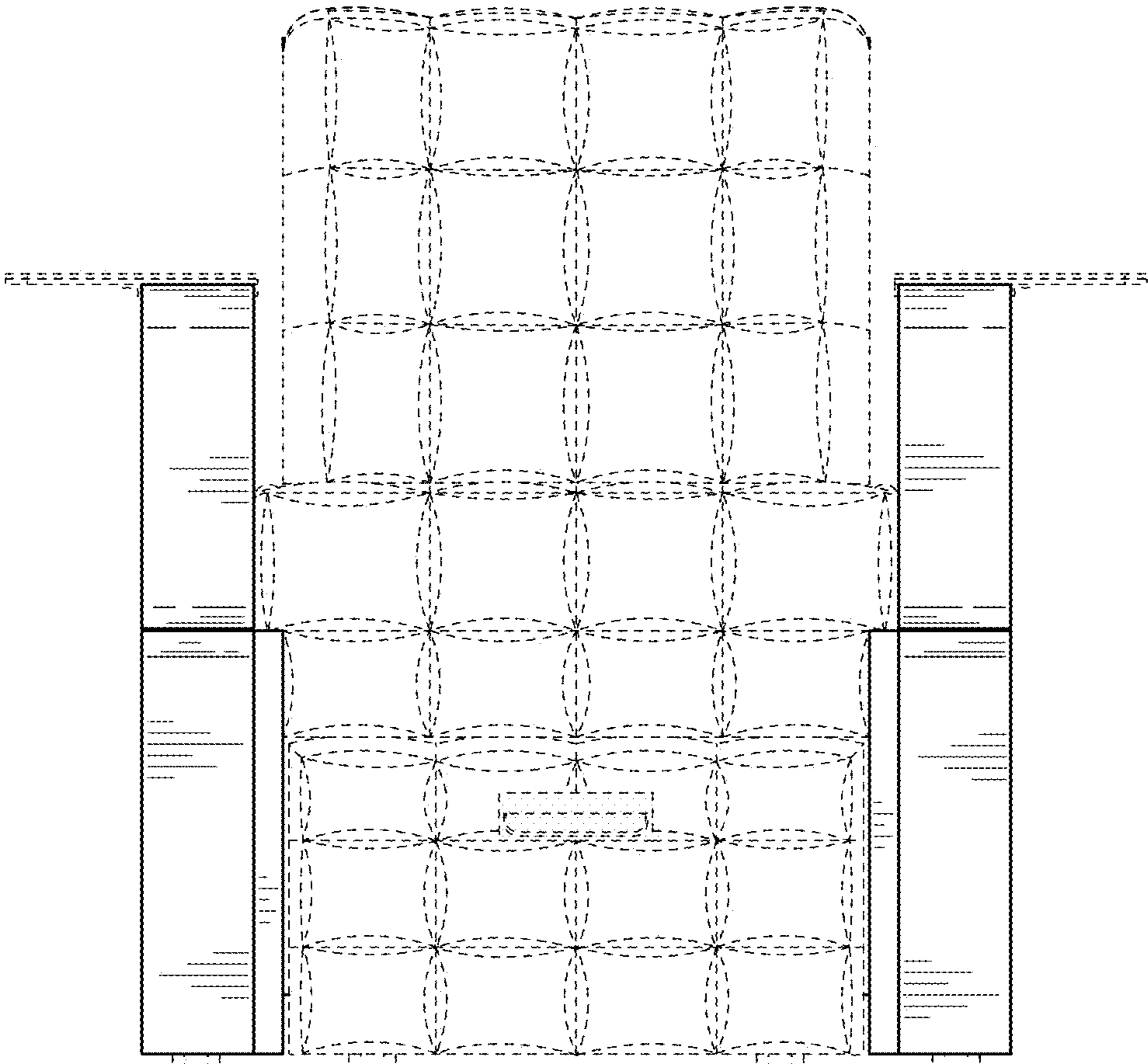


FIG. 2



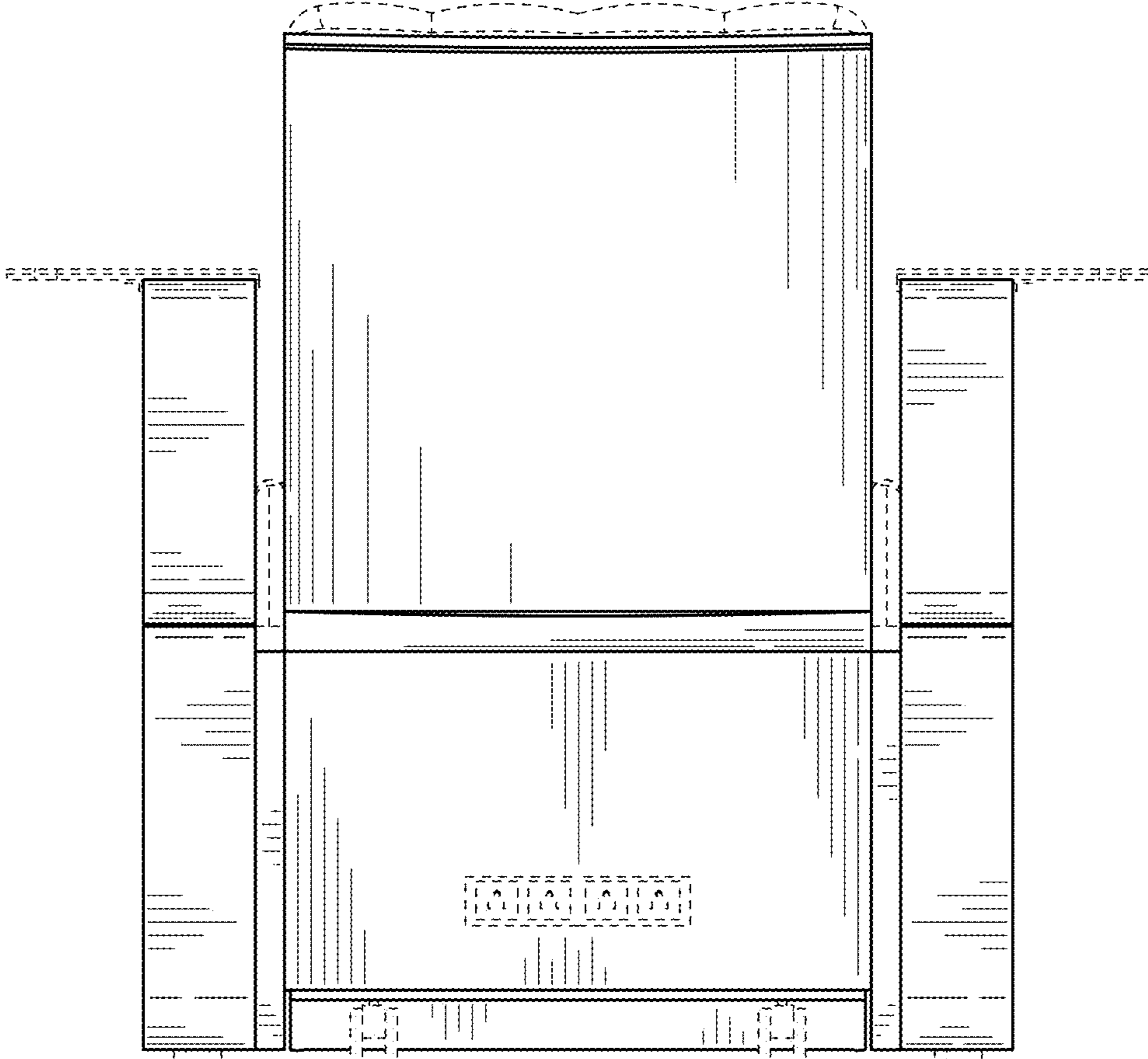


FIG. 3

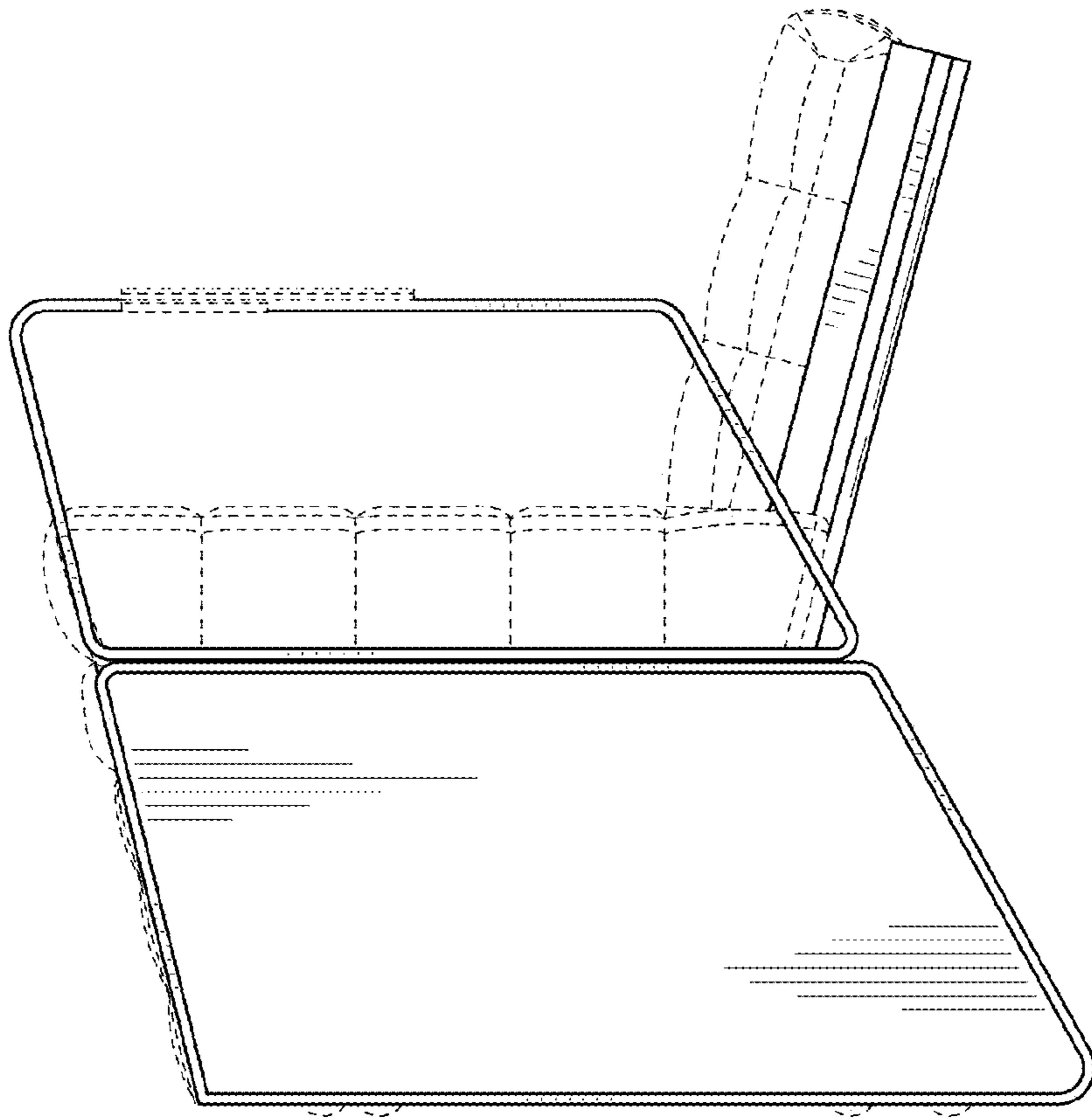


FIG. 4

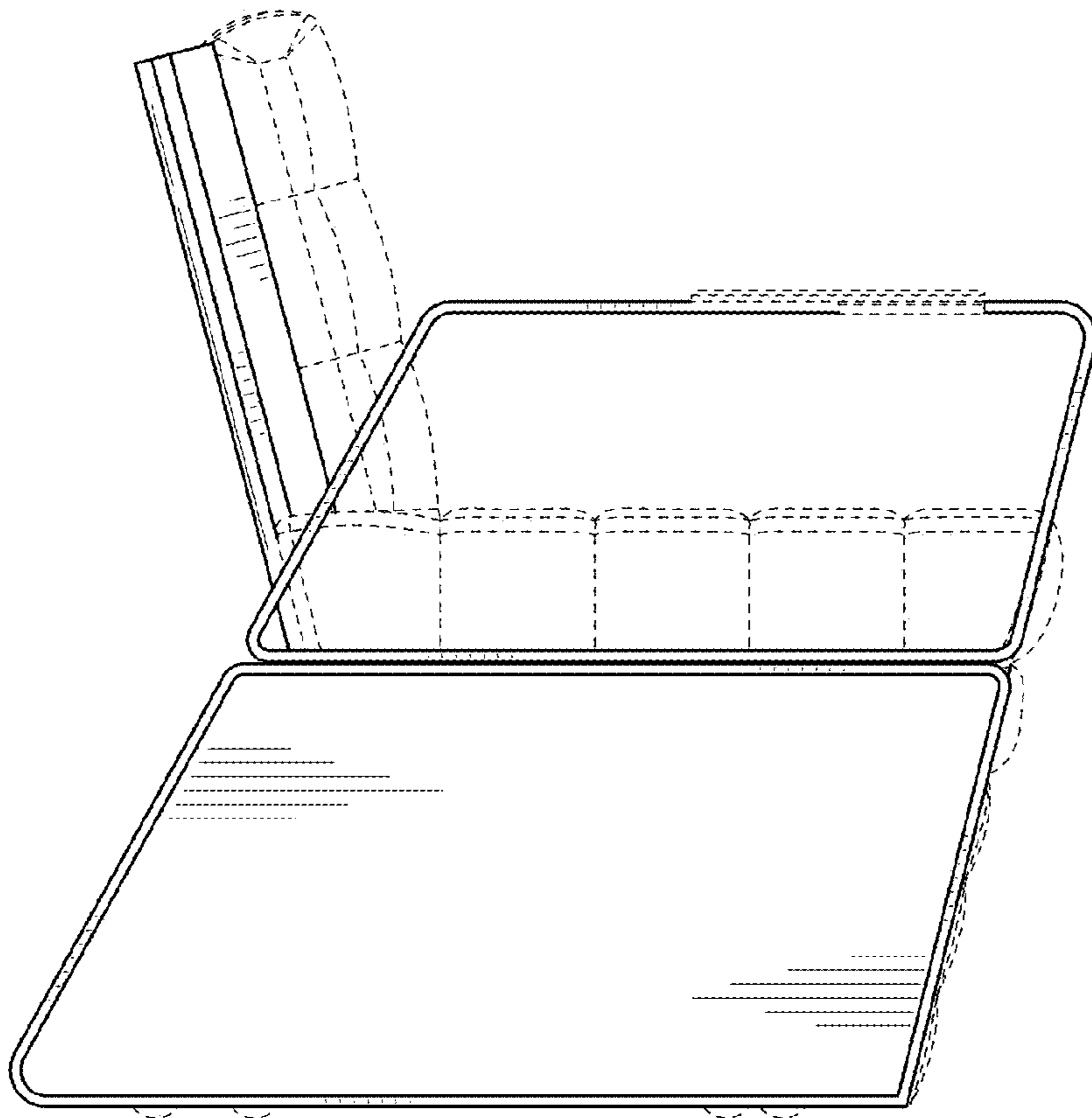


FIG. 5

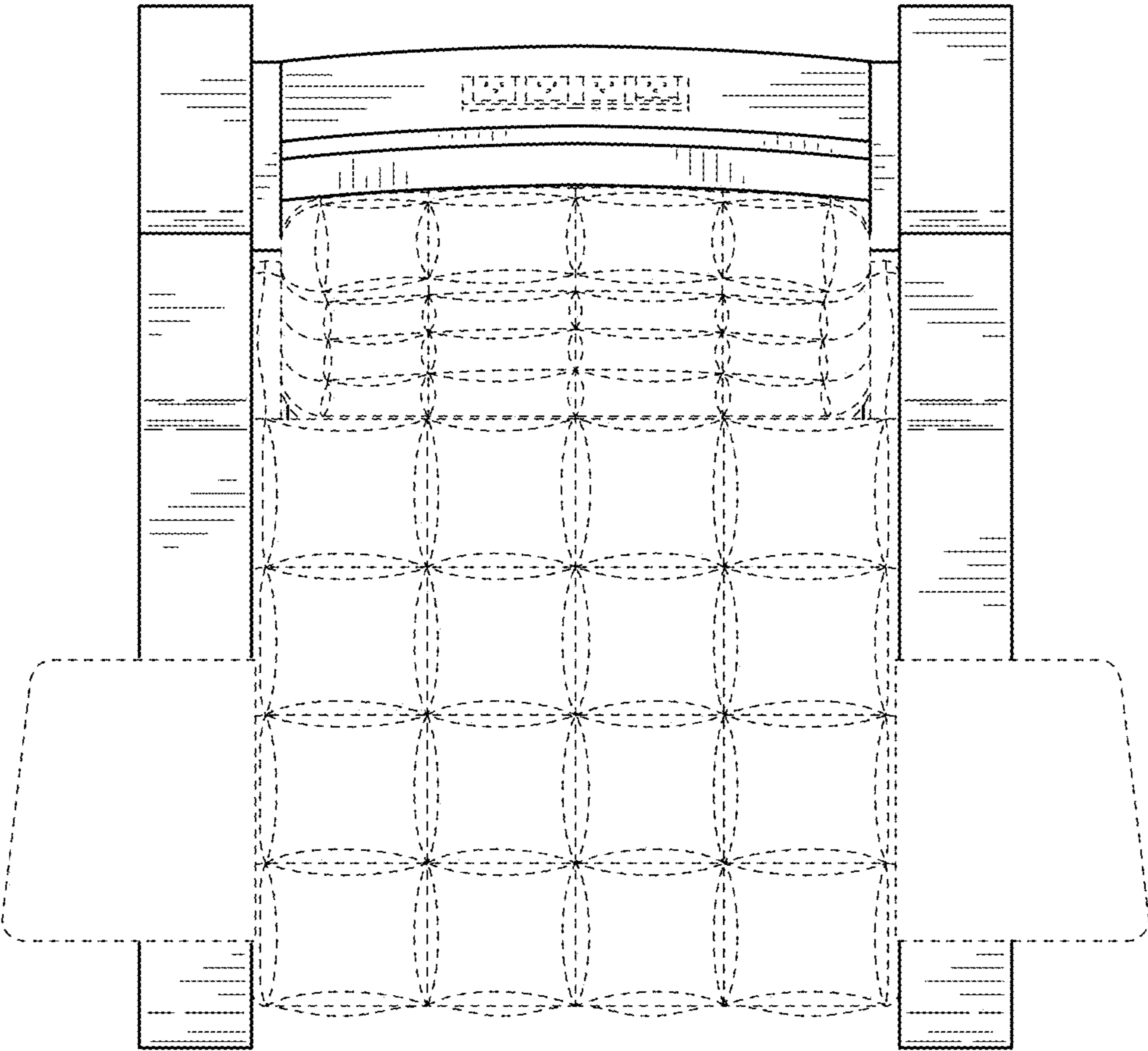


FIG. 6

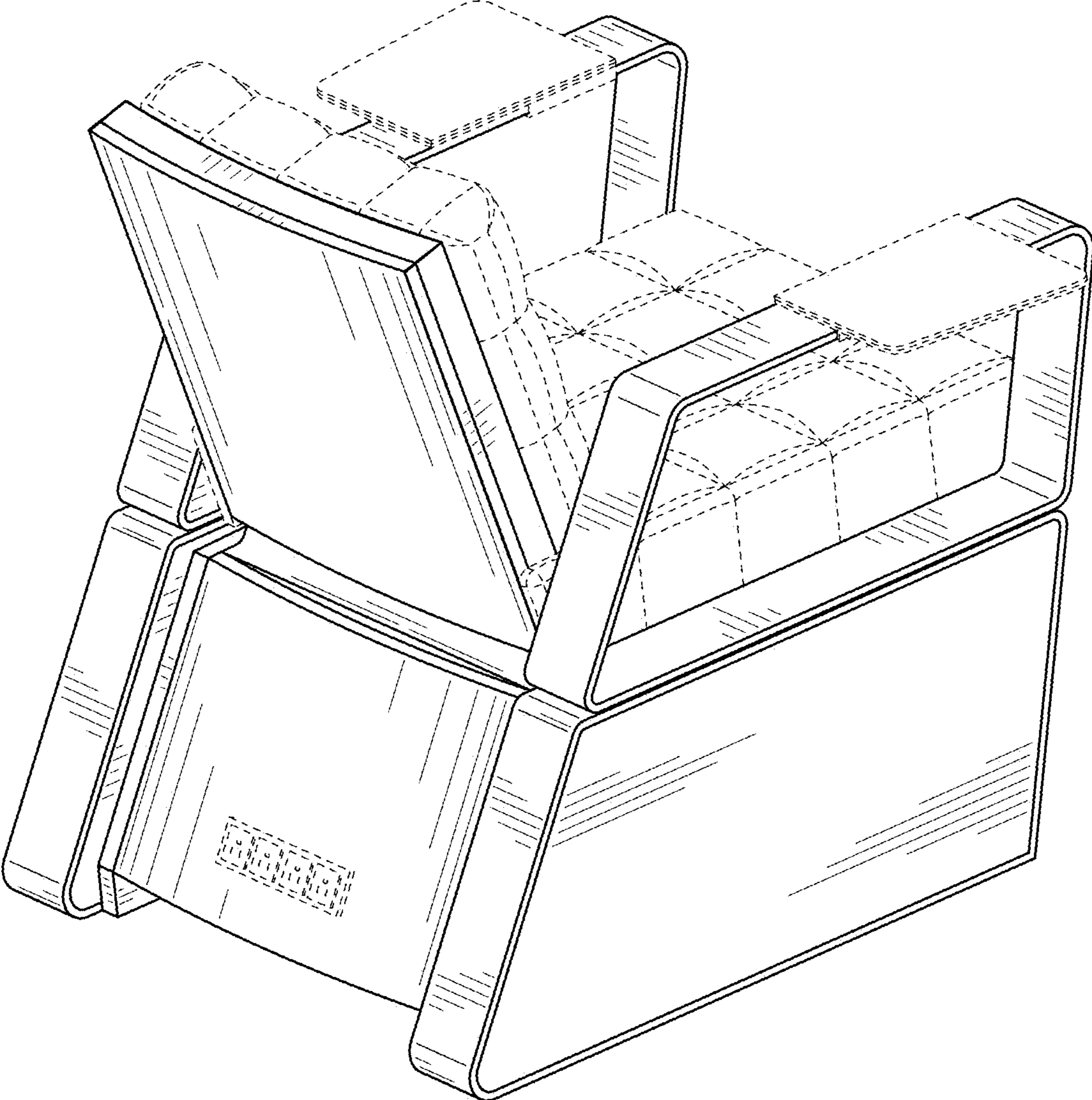


FIG. 7



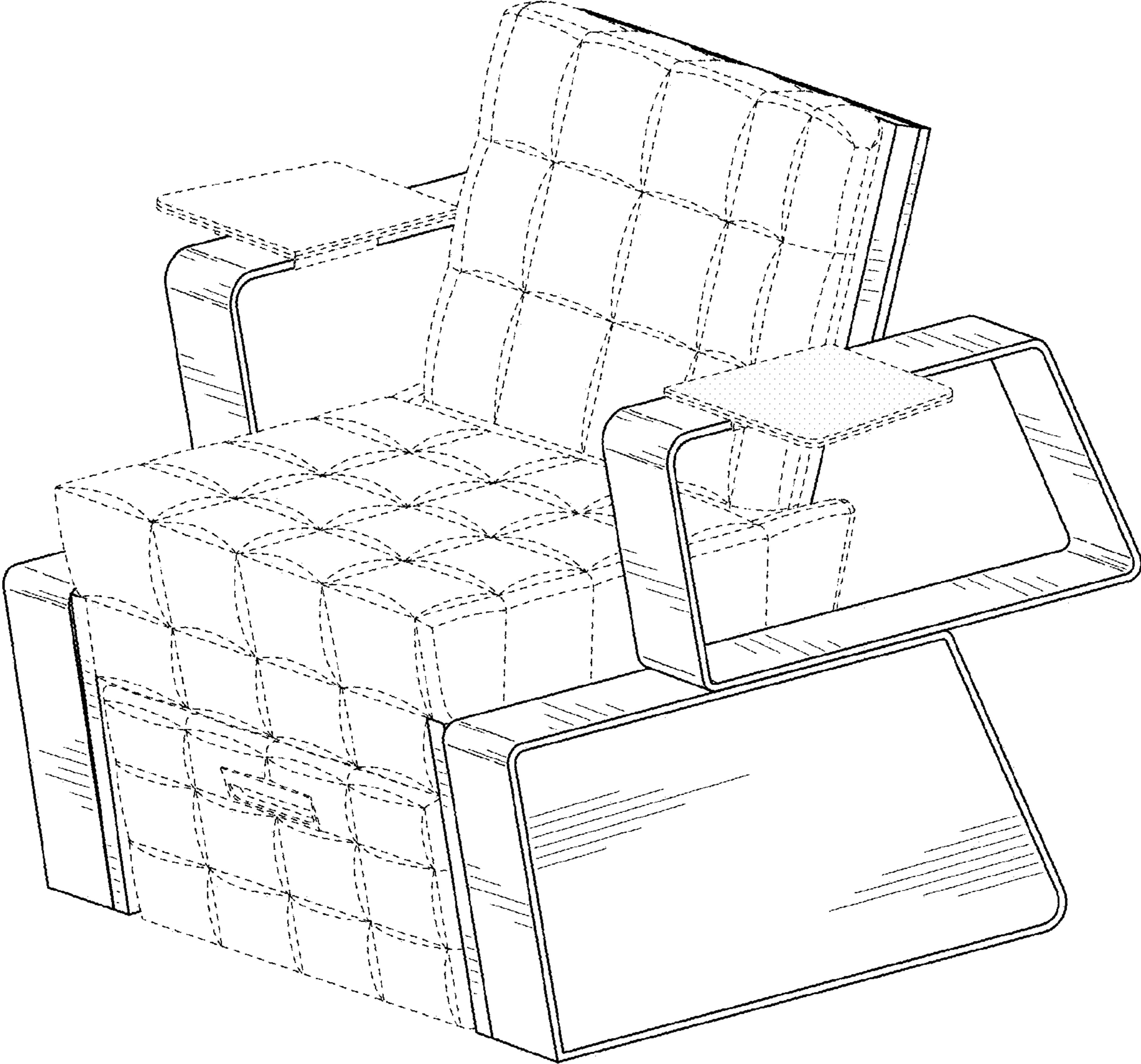


FIG. 8

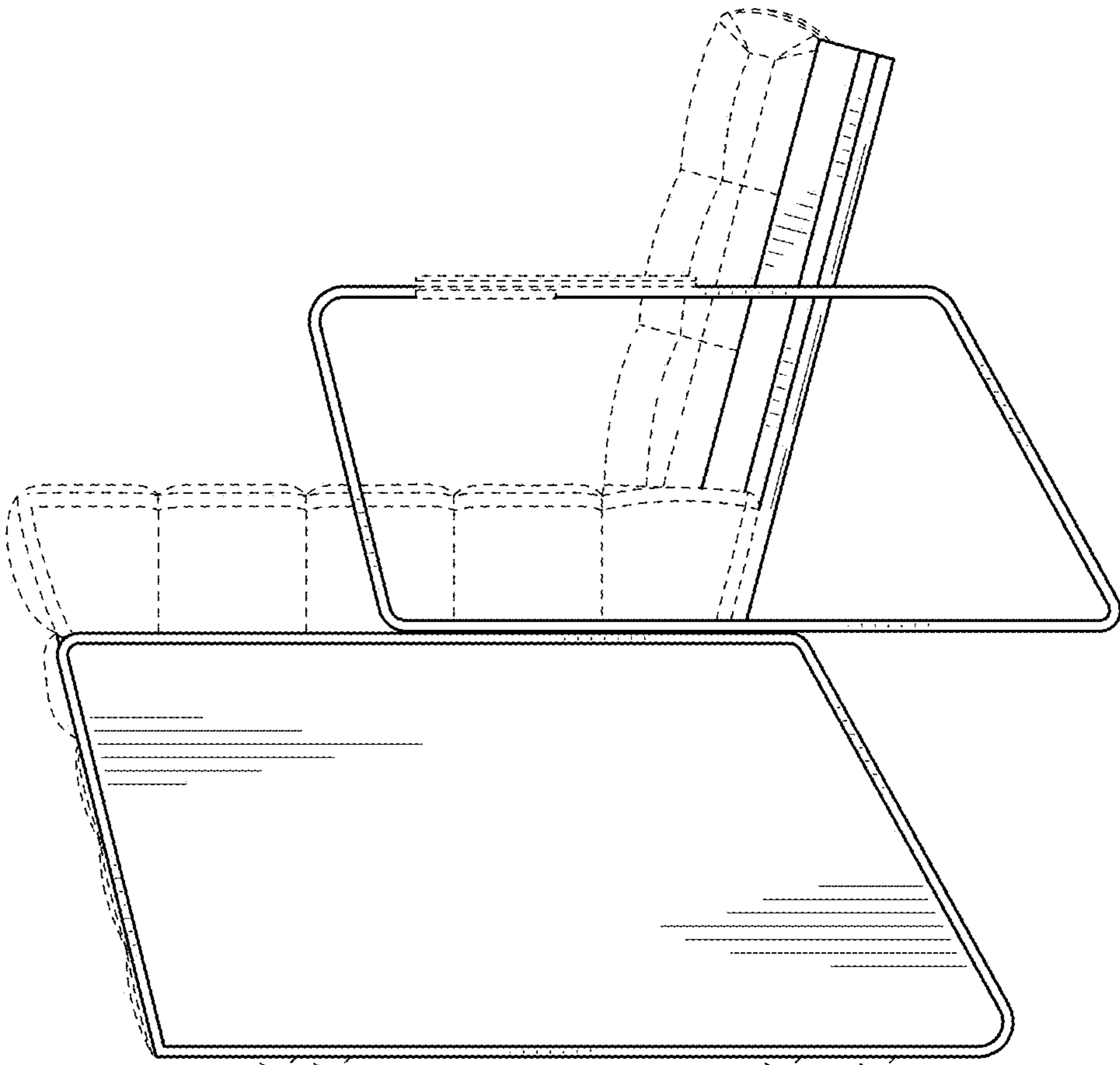


FIG. 9