



US00D942163S

(12) **United States Design Patent** (10) **Patent No.:** **US D942,163 S**  
**Kanhasamy** (45) **Date of Patent:** **\*\* Feb. 1, 2022**

(54) **CONVERTIBLE SOFA WITH ANGLED LEGS**

(71) Applicant: **Abedan Kanhasamy**, Mississauga (CA)

(72) Inventor: **Abedan Kanhasamy**, Mississauga (CA)

(\*\*) Term: **15 Years**

(21) Appl. No.: **29/733,619**

(22) Filed: **May 5, 2020**

(30) **Foreign Application Priority Data**

Dec. 2, 2019 (CA) ..... CA 191491

(51) **LOC (13) Cl.** ..... **06-01**

(52) **U.S. Cl.**  
USPC ..... **D6/335; D6/381**

(58) **Field of Classification Search**  
USPC ..... D6/334–336, 349, 369, 377, 379, 381  
CPC ..... A47C 17/00; A47C 17/02; A47C 17/04;  
A47C 17/045; A47C 17/12; A47C 17/13;  
A47C 17/132; A47C 17/134; A47C  
17/136; A47C 17/16; A47C 17/162; A47C  
17/17; A47C 17/18; A47C 17/86  
See application file for complete search history.

(56) **References Cited**

**U.S. PATENT DOCUMENTS**

D498,075 S \* 11/2004 Mourgue ..... D6/335  
D635,793 S \* 4/2011 Kanhasamy ..... D6/381  
D799,221 S \* 10/2017 Pathiratne ..... D6/335  
D799,222 S \* 10/2017 Pathiratne ..... D6/335  
D804,834 S \* 12/2017 Kanhasamy ..... D6/335  
D836,926 S \* 1/2019 Kanhasamy ..... D6/335

(Continued)

**FOREIGN PATENT DOCUMENTS**

CA 178058 \* 11/2017

**OTHER PUBLICATIONS**

Gjemeni USB couch review [online], [site visited Aug. 11, 2021]. Available from internet, URL: <https://www.techhive.com/article/3330600/gjemeni-couch-review.html> (Year: 2018).\*

(Continued)

*Primary Examiner* — Cynthia Ramirez

*Assistant Examiner* — Xavier Marti-Santos

(74) *Attorney, Agent, or Firm* — Harness, Dickey & Pierce, P.L.C.

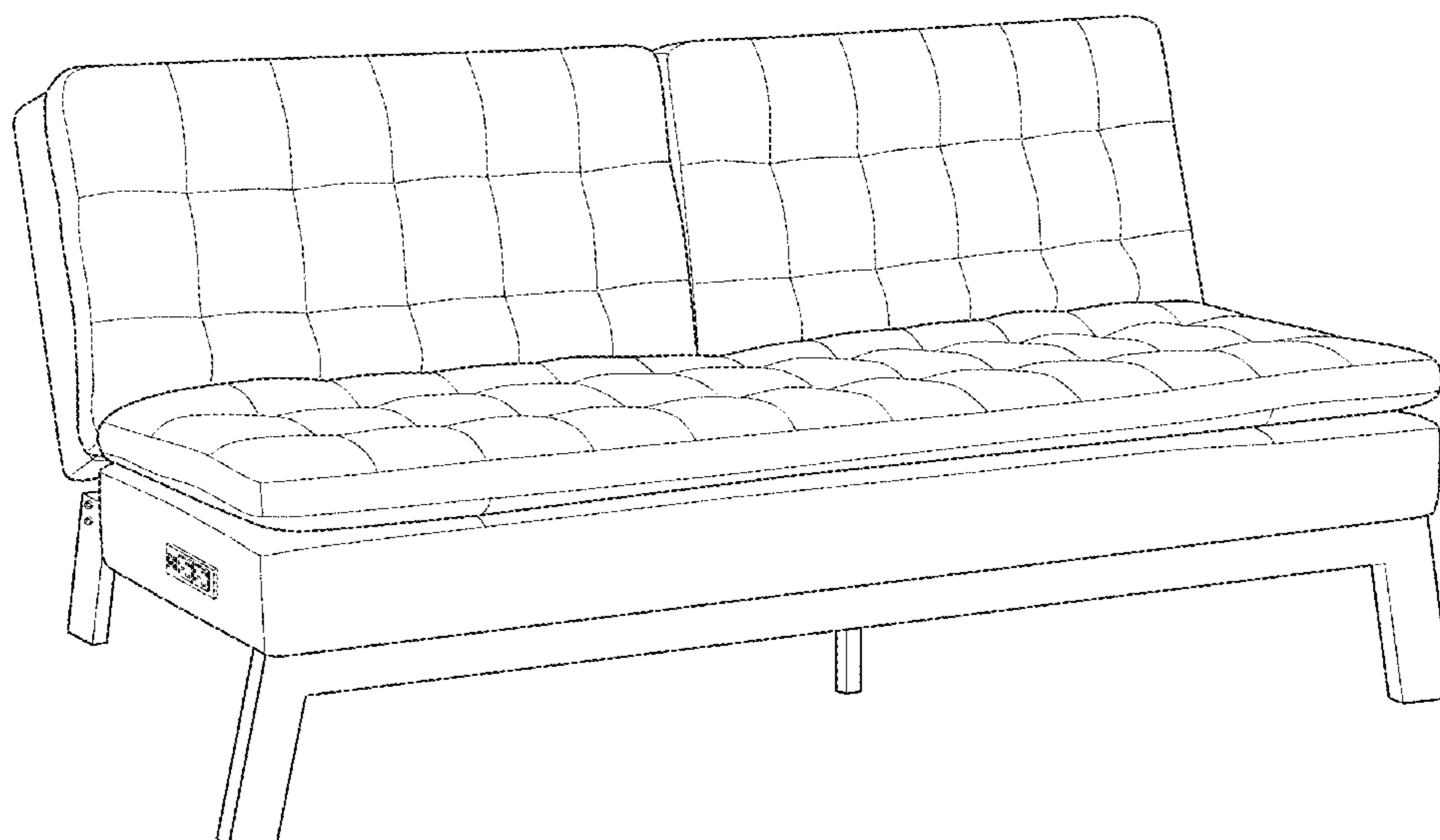
(57) **CLAIM**

The ornamental design for a convertible sofa with angled legs, as shown and described.

**DESCRIPTION**

FIG. 1 is a front, right side, perspective view of the convertible sofa with angled legs in a first position; FIG. 2 is a front, right side, perspective view of the convertible sofa with angled legs in a second position; FIG. 3 is a front, right side, perspective view of the convertible sofa with angled legs in a third position; FIG. 4 is a front, right side, perspective view of the convertible sofa with angled legs in a fourth position; FIG. 5 is a front, right side, perspective view of the convertible sofa with angled legs in a fifth position; FIG. 6 is a front view of the convertible sofa with angled legs in the first position; FIG. 7 is a right side view of the convertible sofa with angled legs in the first position; FIG. 8 is a left side view of the convertible sofa with angled legs in the first position; FIG. 9 is a top view of the convertible sofa with angled legs in the first position; FIG. 10 is a bottom perspective view of the convertible sofa with angled legs in the third position; and, FIG. 11 is a back, left side, perspective view of the convertible sofa with angled legs in the first position.

**1 Claim, 11 Drawing Sheets**



(56)

**References Cited**

U.S. PATENT DOCUMENTS

D836,927 S \* 1/2019 Kanthasamy ..... D6/335  
D891,128 S \* 7/2020 Kanthasamy ..... D6/335  
D891,129 S \* 7/2020 Kanthasamy ..... D6/335  
D891,130 S \* 7/2020 Kanthasamy ..... D6/335  
D904,041 S \* 12/2020 Kanthasamy ..... D6/335  
D904,042 S \* 12/2020 Kanthasamy ..... D6/335  
2014/0319892 A1 \* 10/2014 Boccara ..... A47C 20/041  
297/410

OTHER PUBLICATIONS

Toggle convertible couch [online], [site visited Aug. 11, 2021]. Available from internet, URL: <<https://coddleme.com/products/toggle-convertible-couch/>> (Year: 2021).\*

Royer Upholstered Sleeper Sofa Bed With Power Outlet [online], [site visited Aug. 11, 2021]. Available from internet, URL: <[https://www.easy2getfurniture.com/Royer-Upholstered-Sleeper-Sofa-Bed-With-Power-Outlet-Grey-Collection-Royer\\_p\\_7102.html](https://www.easy2getfurniture.com/Royer-Upholstered-Sleeper-Sofa-Bed-With-Power-Outlet-Grey-Collection-Royer_p_7102.html)> (Year: 2021).\*

\* cited by examiner

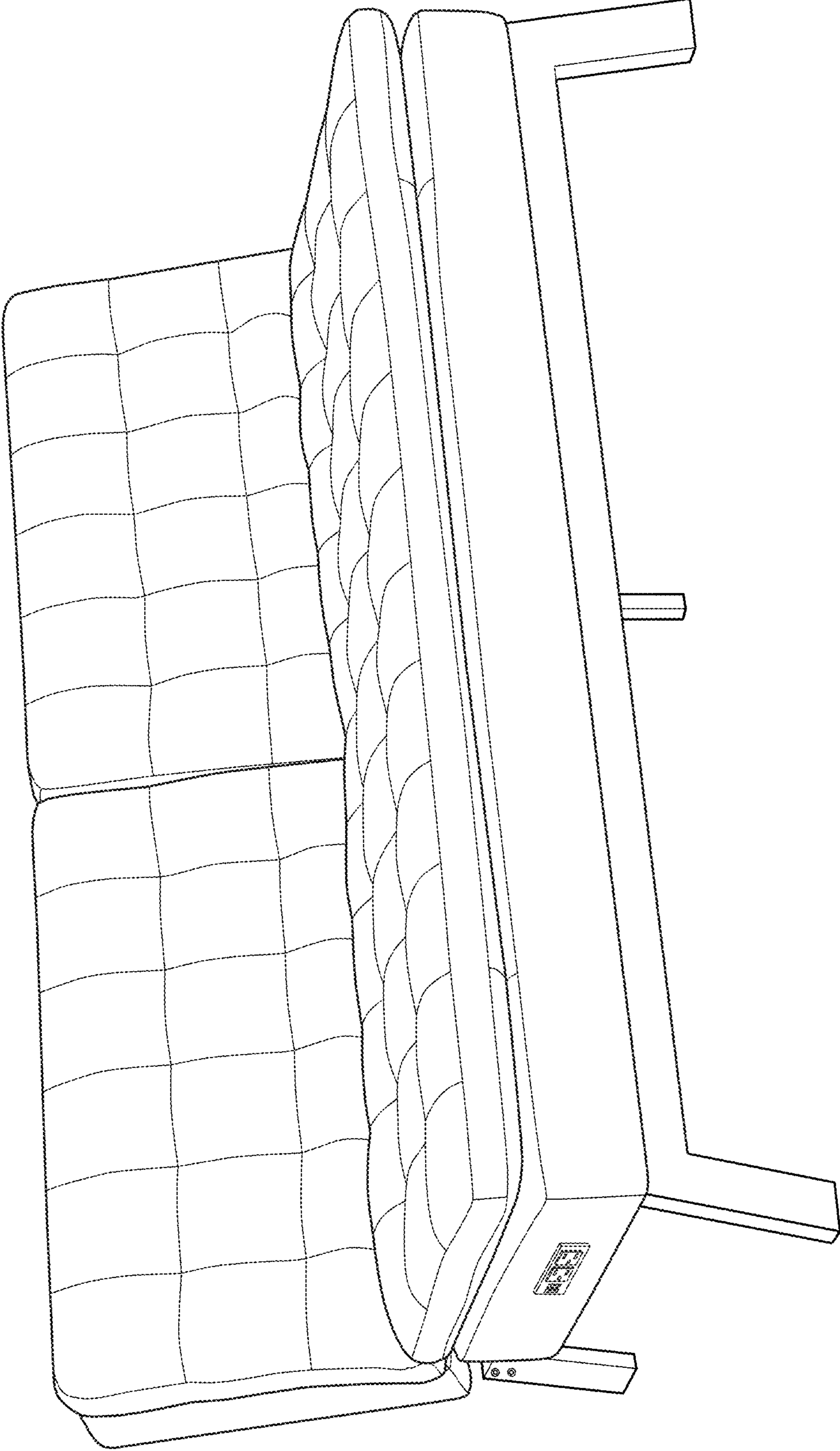


FIG. 1

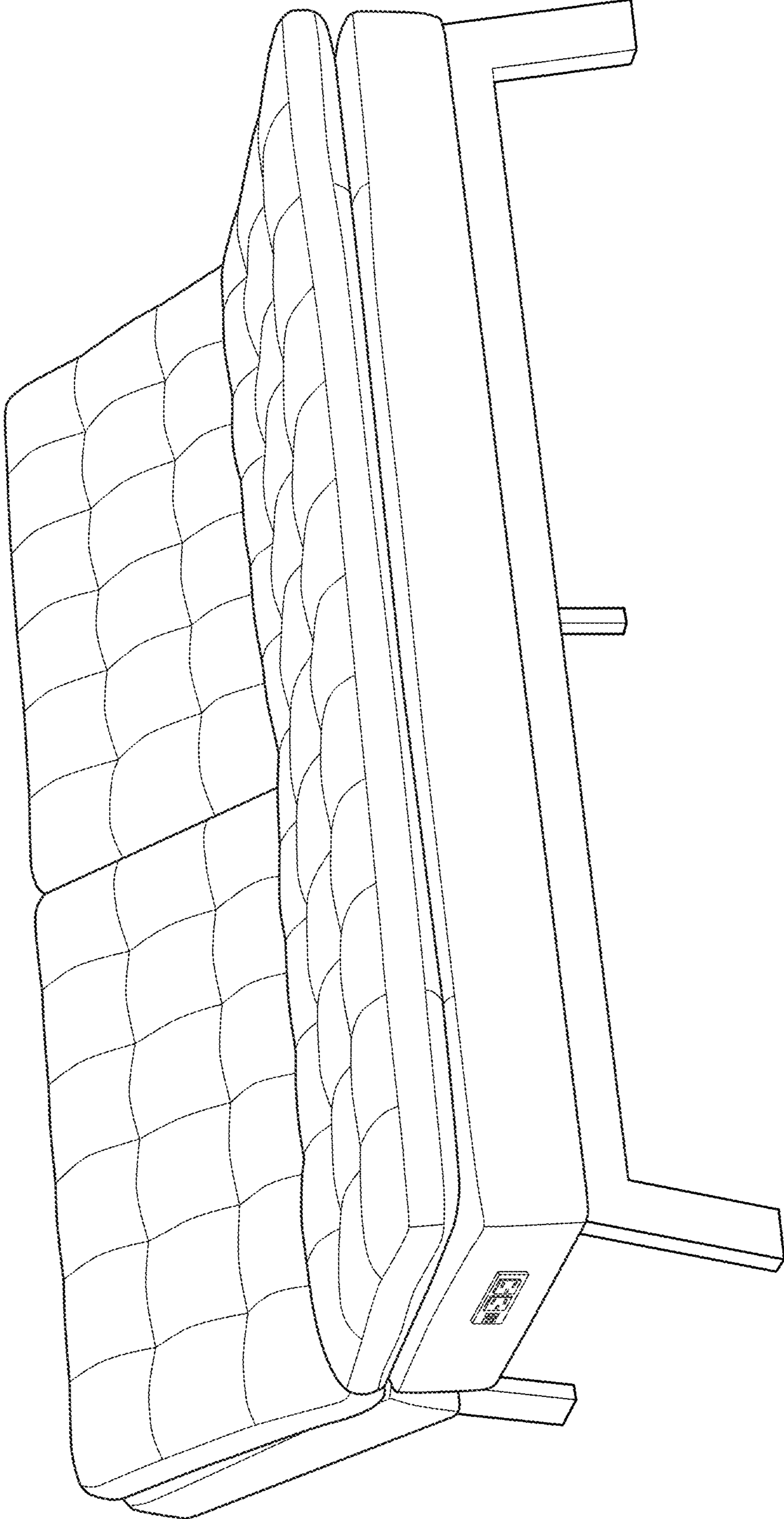


FIG. 2



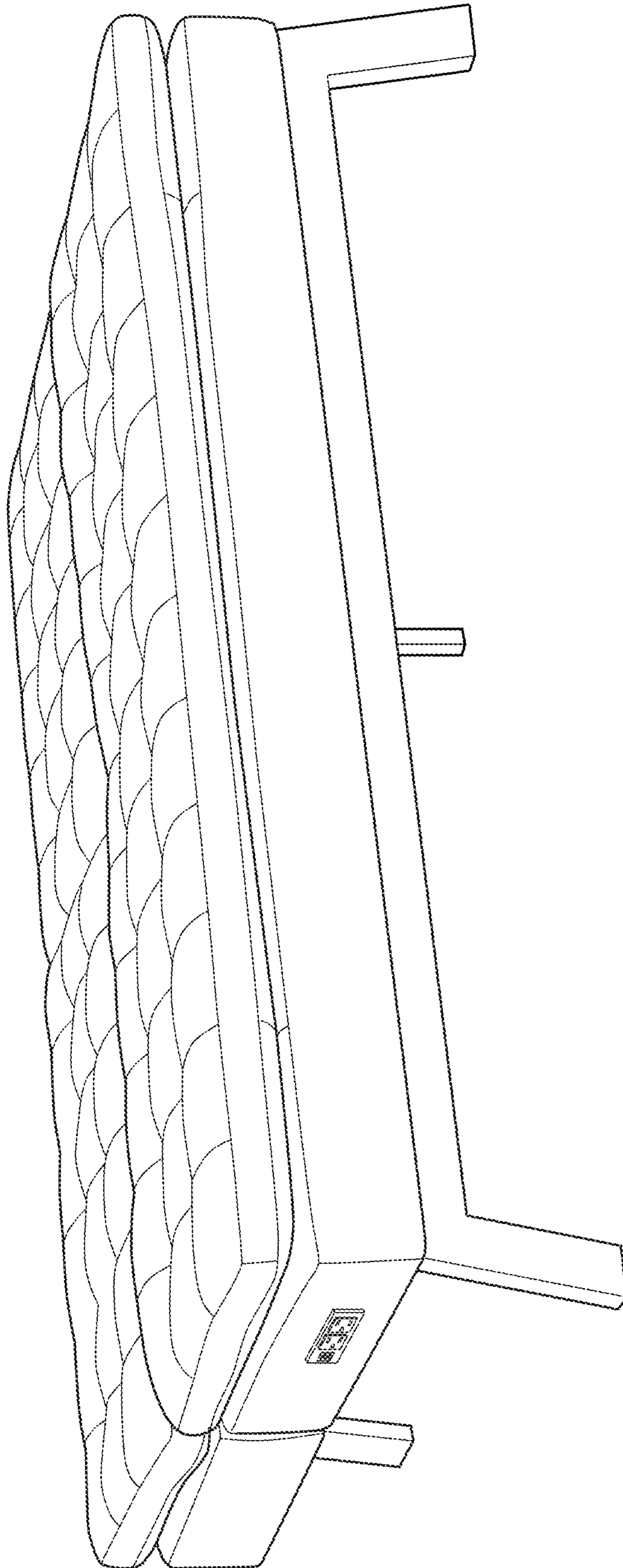


FIG. 3

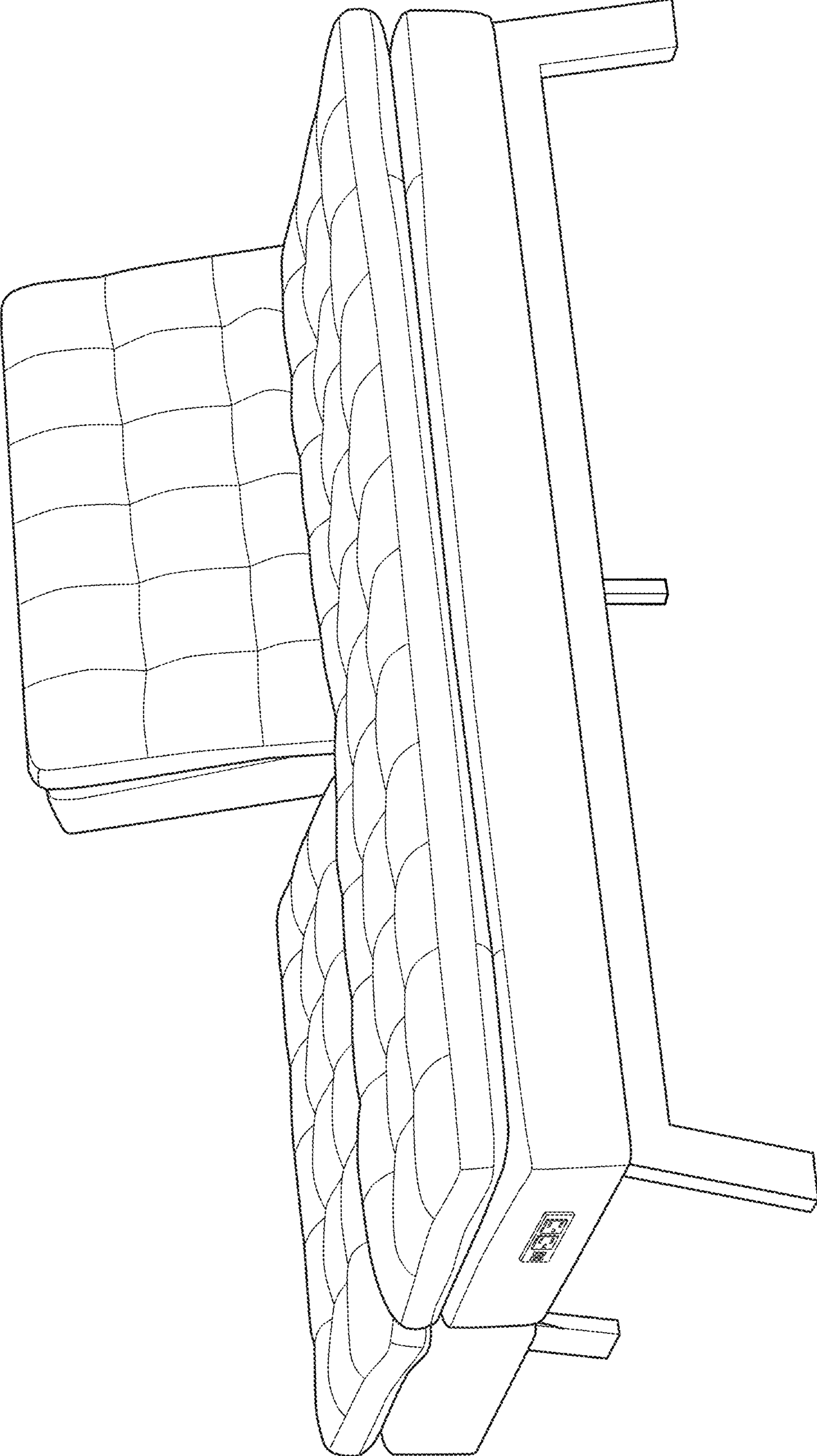


FIG. 4

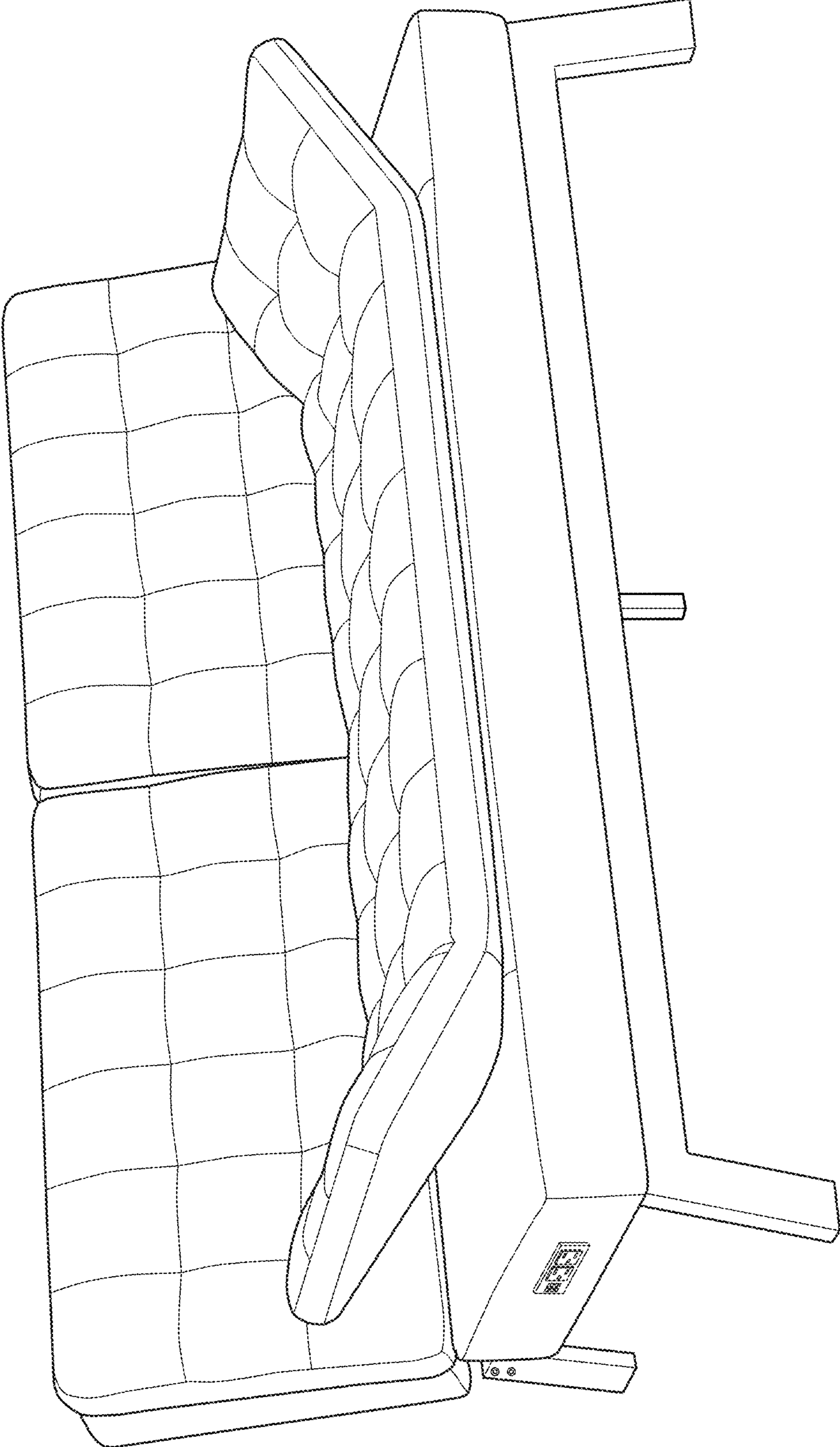


FIG. 5

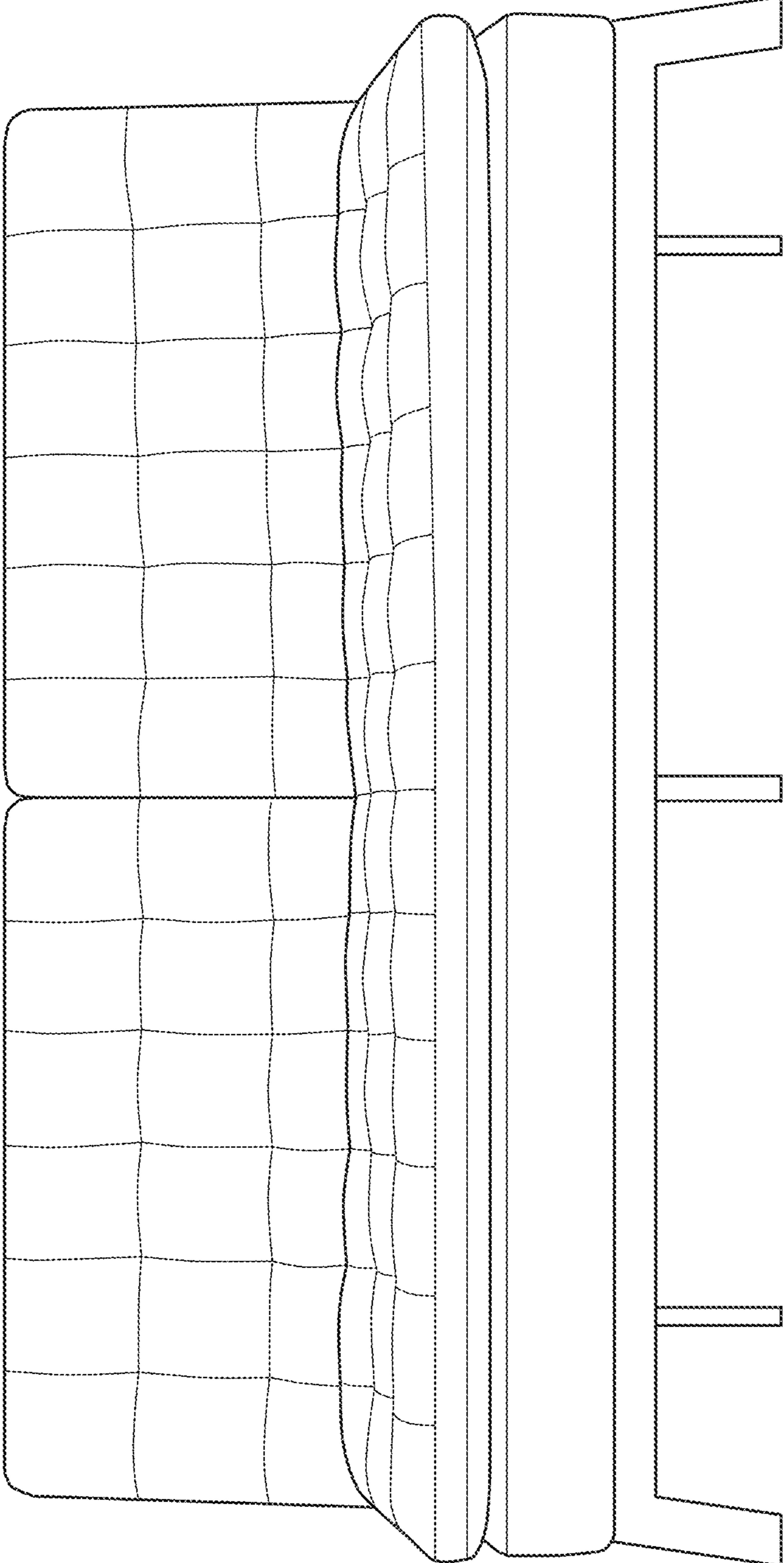


FIG. 6



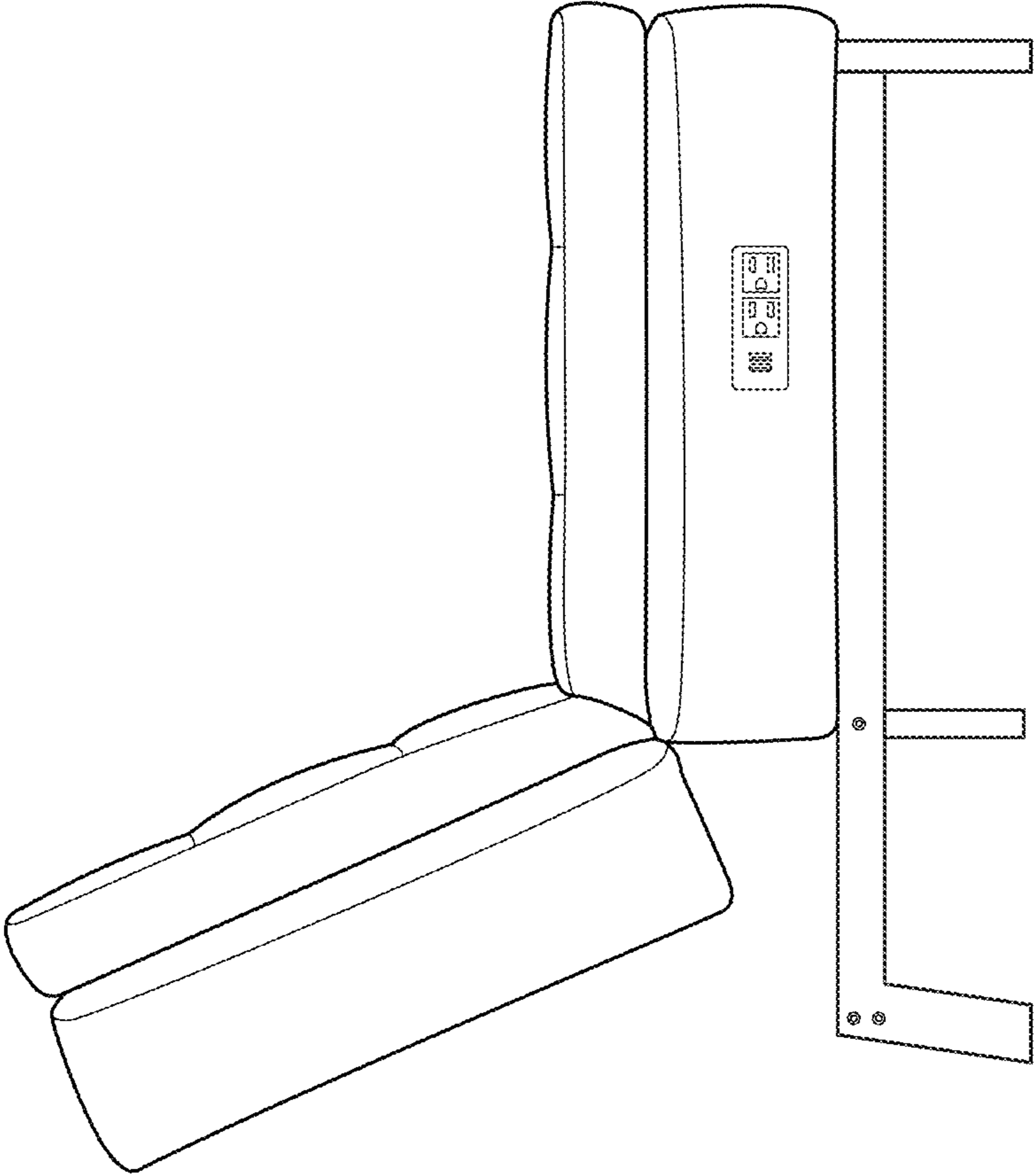


FIG. 7

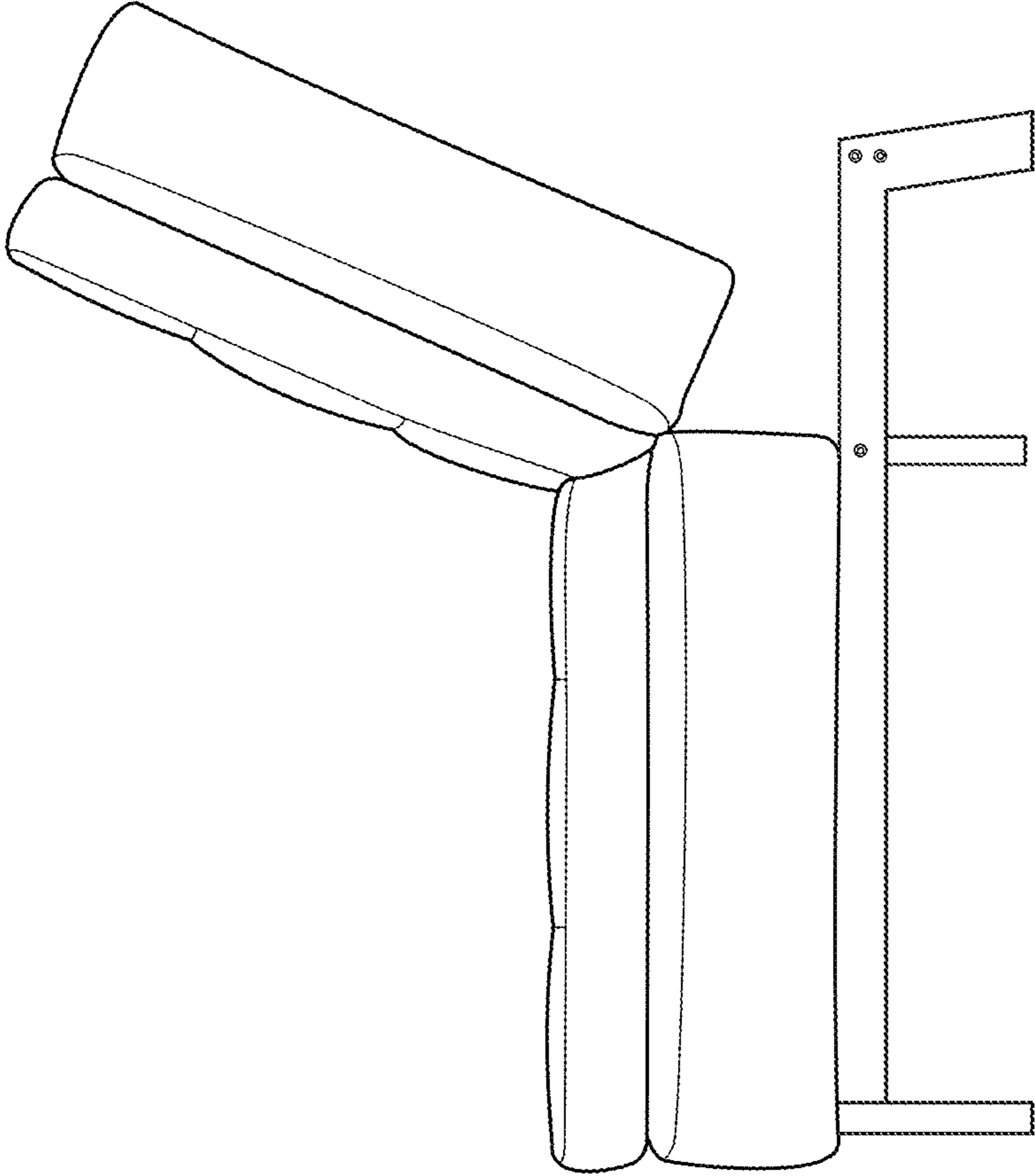


FIG. 8

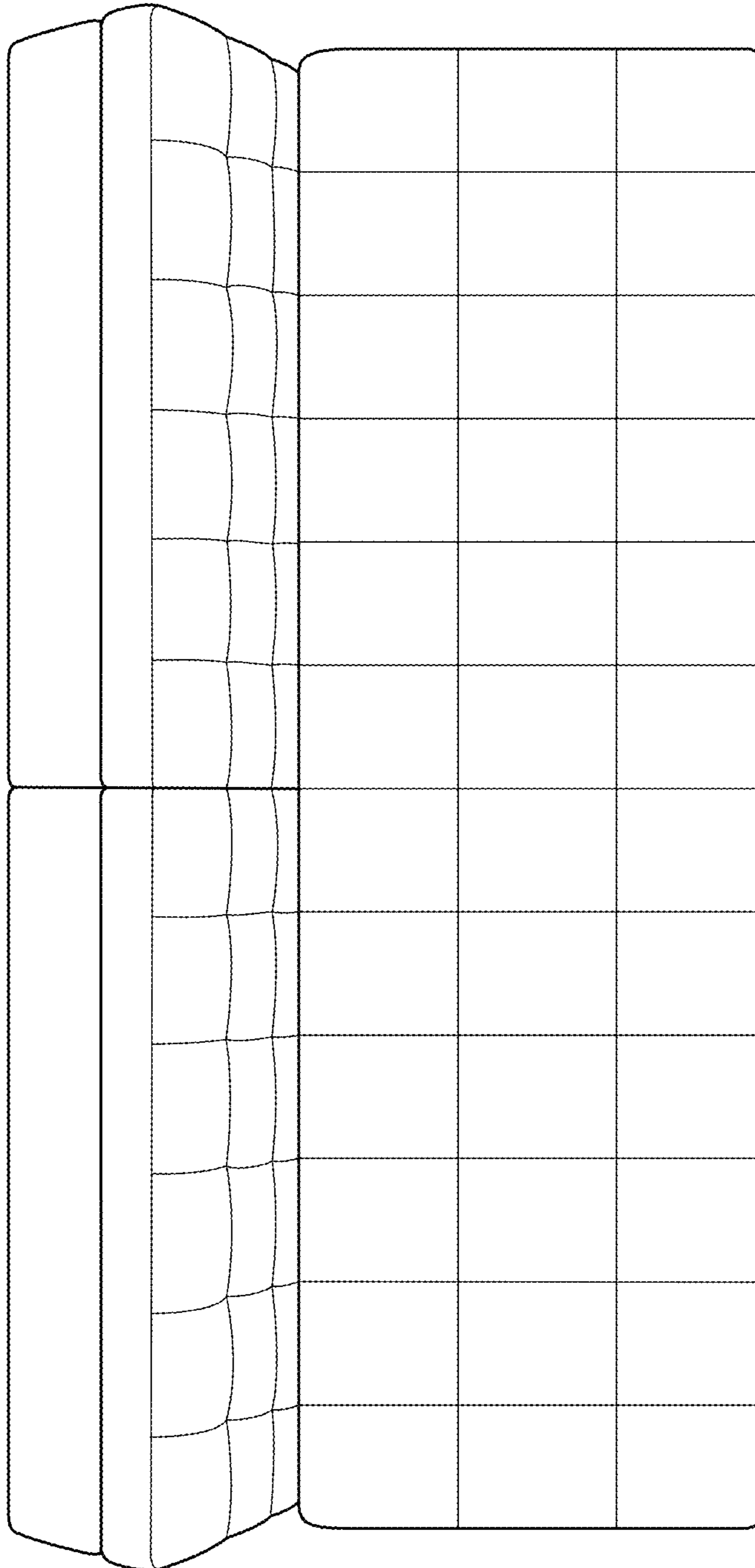


FIG. 9

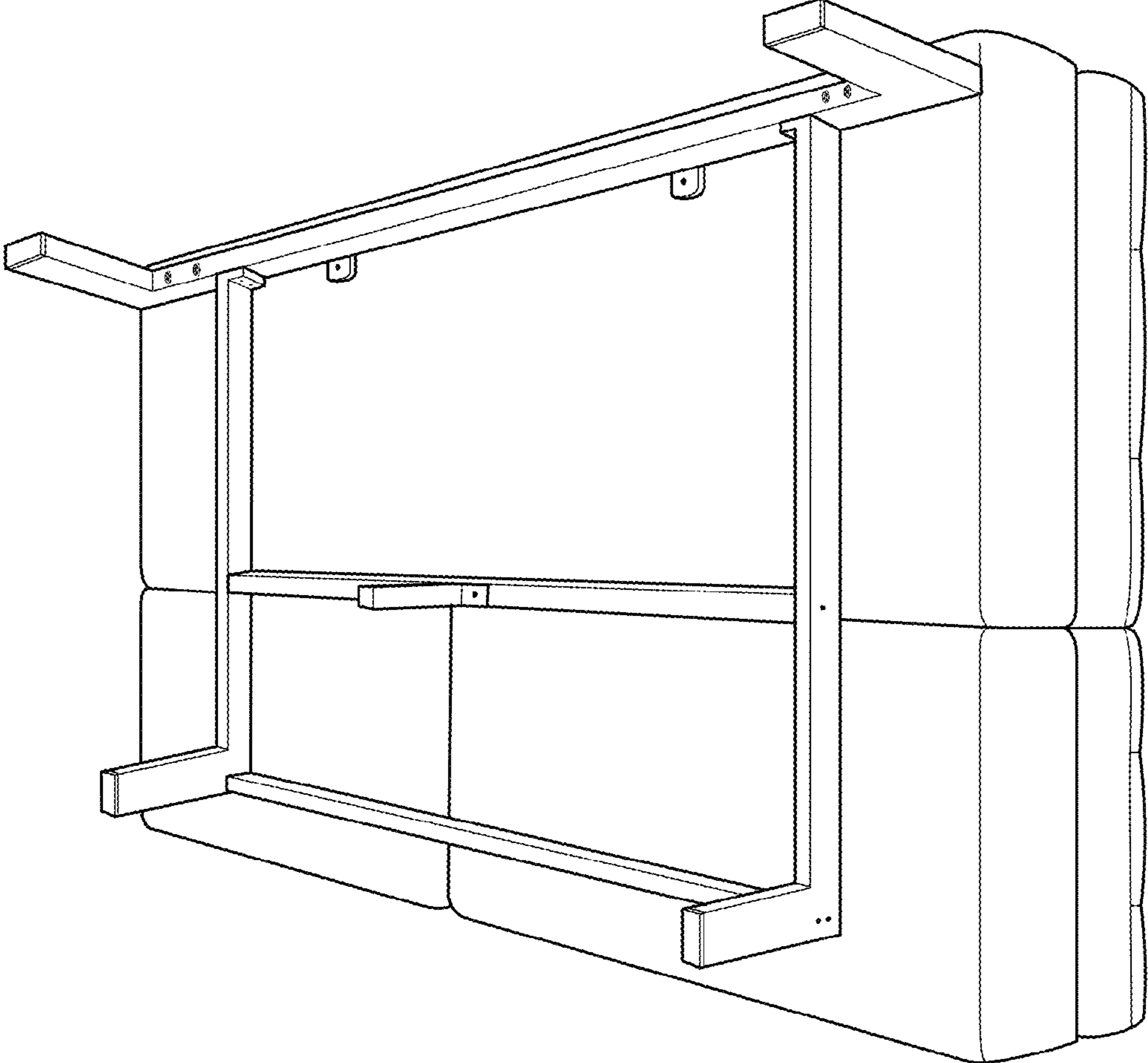


FIG. 10



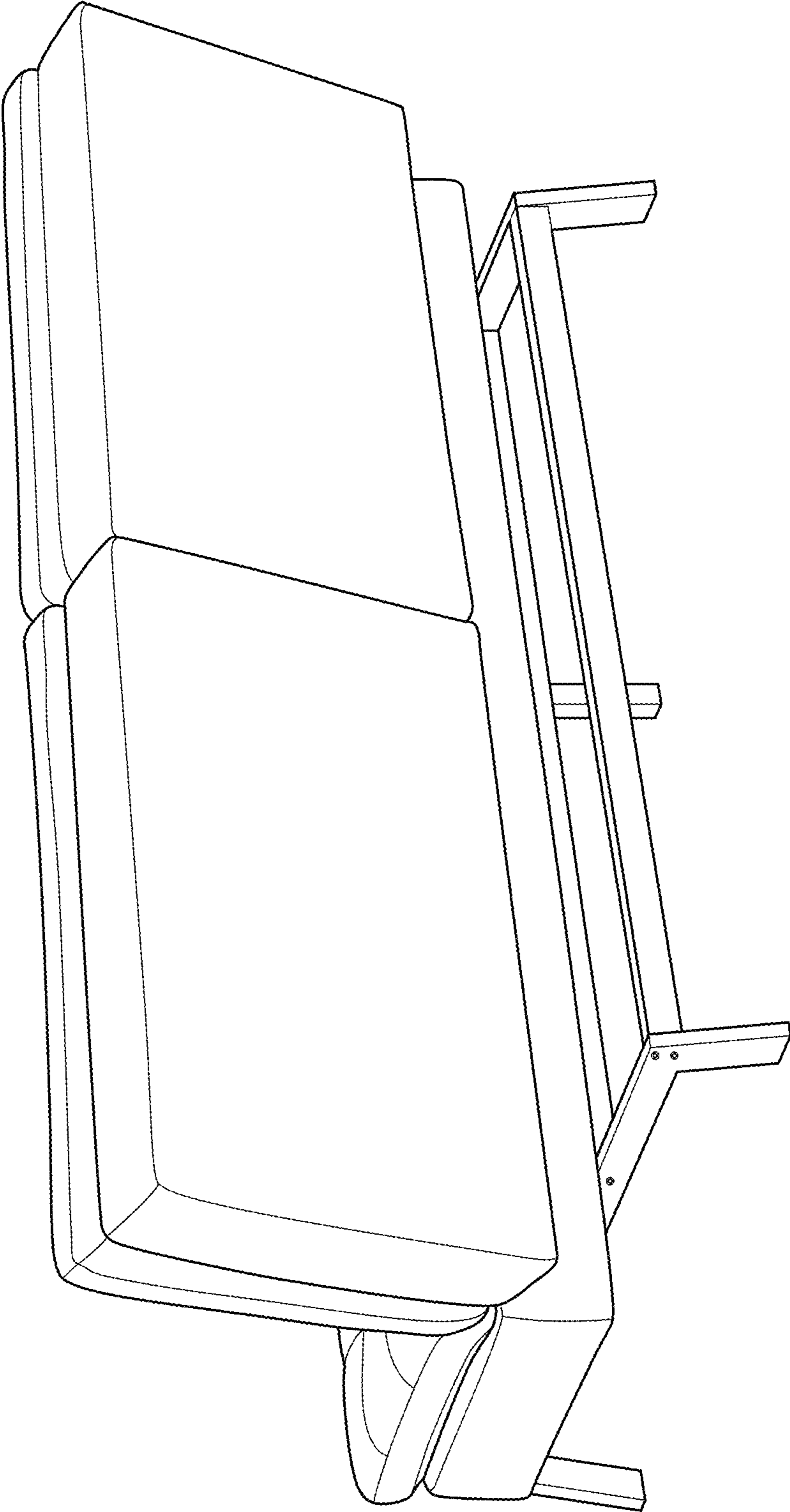


FIG. 11