



US00D942161S

(12) **United States Design Patent**
Vilcovsky

(10) **Patent No.:** **US D942,161 S**

(45) **Date of Patent:** **** Feb. 1, 2022**

- (54) **TABLETOP DIGITAL MIRROR**
- (71) Applicant: **EyesMatch Ltd.**, Tortola (VG)
- (72) Inventor: **Nissi Vilcovsky**, Tokyo (JP)
- (73) Assignee: **EYESMATCH LTD.**, Tortola (VG)
- (**) Term: **15 Years**
- (21) Appl. No.: **29/678,188**

| | | | | |
|-----------------|---------|-----------|-------|-----------------------|
| D634,320 S * | 3/2011 | Bliven | | D14/371 |
| D637,985 S * | 5/2011 | Andresen | | D14/129 |
| 8,970,569 B2 * | 3/2015 | Vilcovsky | | G06Q 30/00 345/204 |
| D727,995 S * | 4/2015 | Vilcovsky | | D16/221 |
| D739,464 S * | 9/2015 | Liu | | D19/113 |
| D753,754 S * | 4/2016 | Vilcovsky | | D16/221 |
| D759,617 S * | 6/2016 | Soares | | D14/126 |
| D783,596 S * | 4/2017 | Payne | | D14/307 |
| 10,318,145 B2 * | 6/2019 | Broxson | | G06F 3/0412 |
| D868,014 S * | 11/2019 | Kim | | D14/126 |
| D925,518 S * | 7/2021 | Neiman | | D14/307 |

* cited by examiner

- (22) Filed: **Jan. 25, 2019**
- (51) **LOC (13) Cl.** **06-07**
- (52) **U.S. Cl.**
USPC **D6/310**
- (58) **Field of Classification Search**
USPC D6/300-314; D14/307, 336, 374, 375,
D14/126
CPC A47G 1/00; A47G 2001/002
See application file for complete search history.

Primary Examiner — Deanna L Pratt
(74) *Attorney, Agent, or Firm* — Womble Bond Dickinson
(US) LLP; Joseph Bach, Esq.

(57) **CLAIM**

The ornamental design for a tabletop digital mirror, as shown.

DESCRIPTION

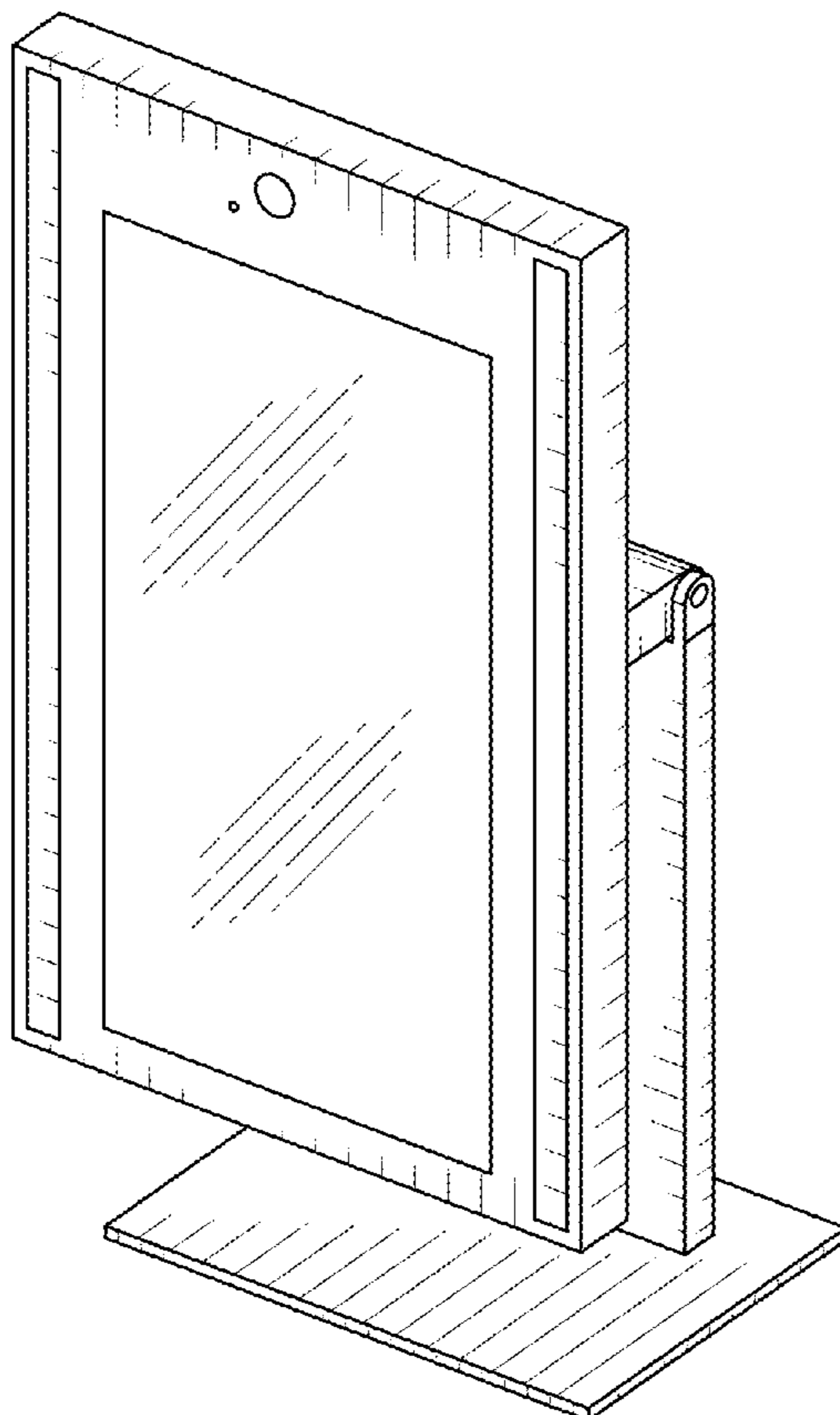
FIG. 1 is a front perspective view of a tabletop digital mirror, showing my new design;
FIG. 2 is a front view thereof;
FIG. 3 is a back view thereof;
FIG. 4 is a right side view (left side is mirror image) thereof;
FIG. 5 is a top view thereof; and,
FIG. 6 is a bottom view thereof.

(56) **References Cited**

U.S. PATENT DOCUMENTS

| | | | | |
|--------------|--------|------------|-------|---------|
| D509,543 S * | 9/2005 | Hillstrom | | D20/41 |
| D559,577 S * | 1/2008 | Quinn | | D6/300 |
| D571,560 S * | 6/2008 | Liu | | D14/126 |
| D584,063 S * | 1/2009 | Mirza | | D6/308 |
| D597,320 S * | 8/2009 | Caine | | D6/308 |
| D597,321 S * | 8/2009 | Frankel | | D6/310 |
| D634,131 S * | 3/2011 | Utsunomiya | | D6/308 |

1 Claim, 3 Drawing Sheets



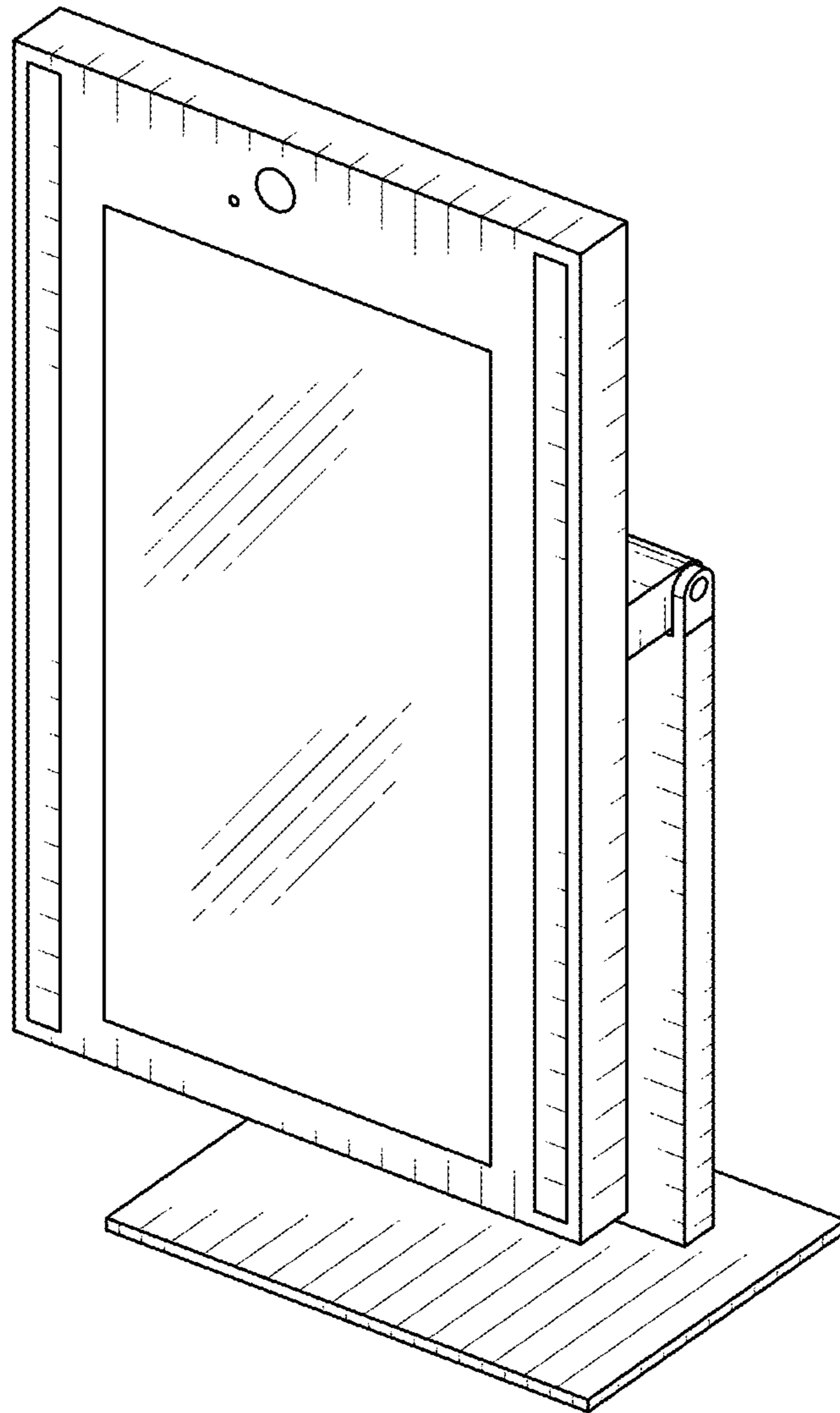


FIG. 1

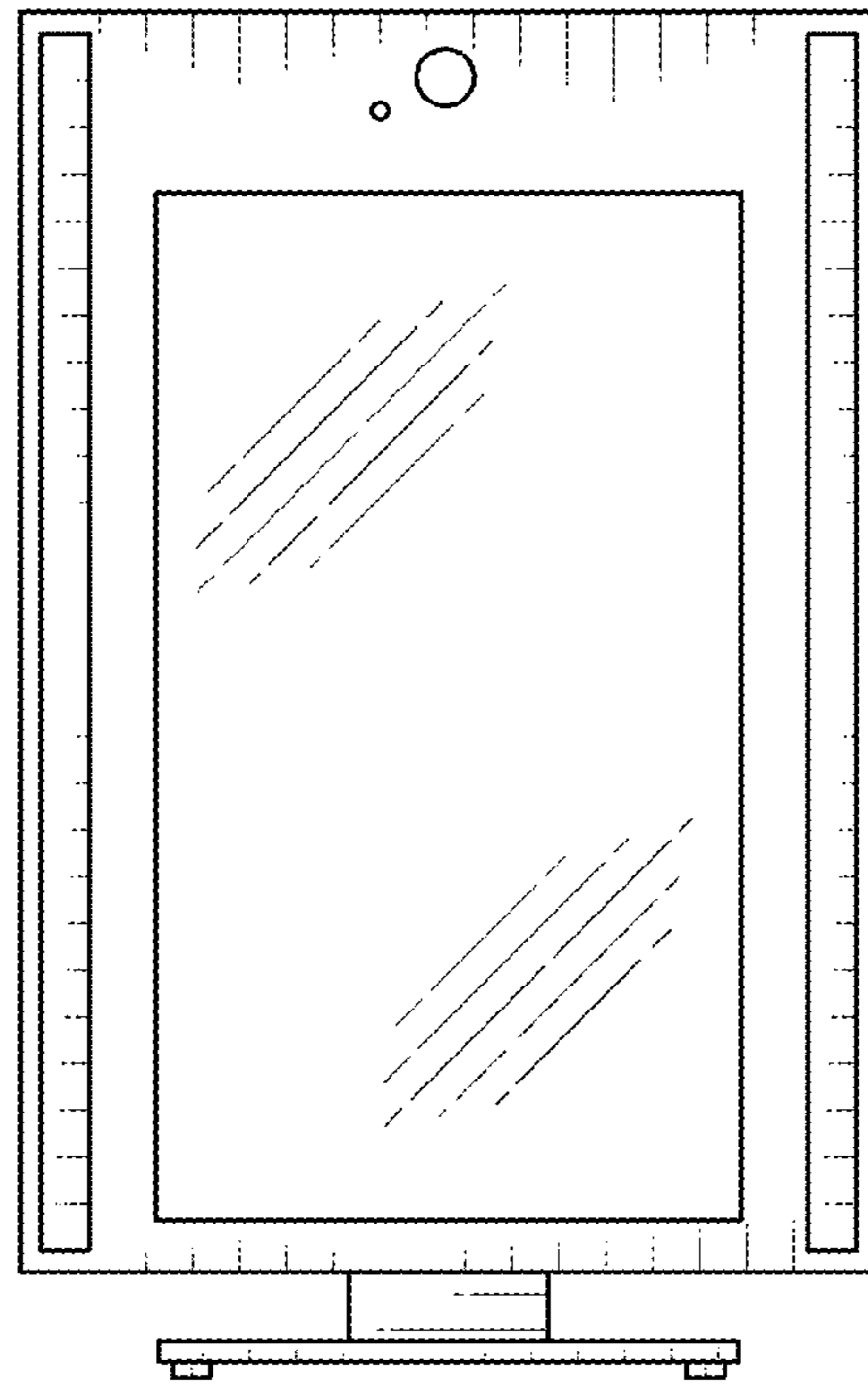


FIG. 2

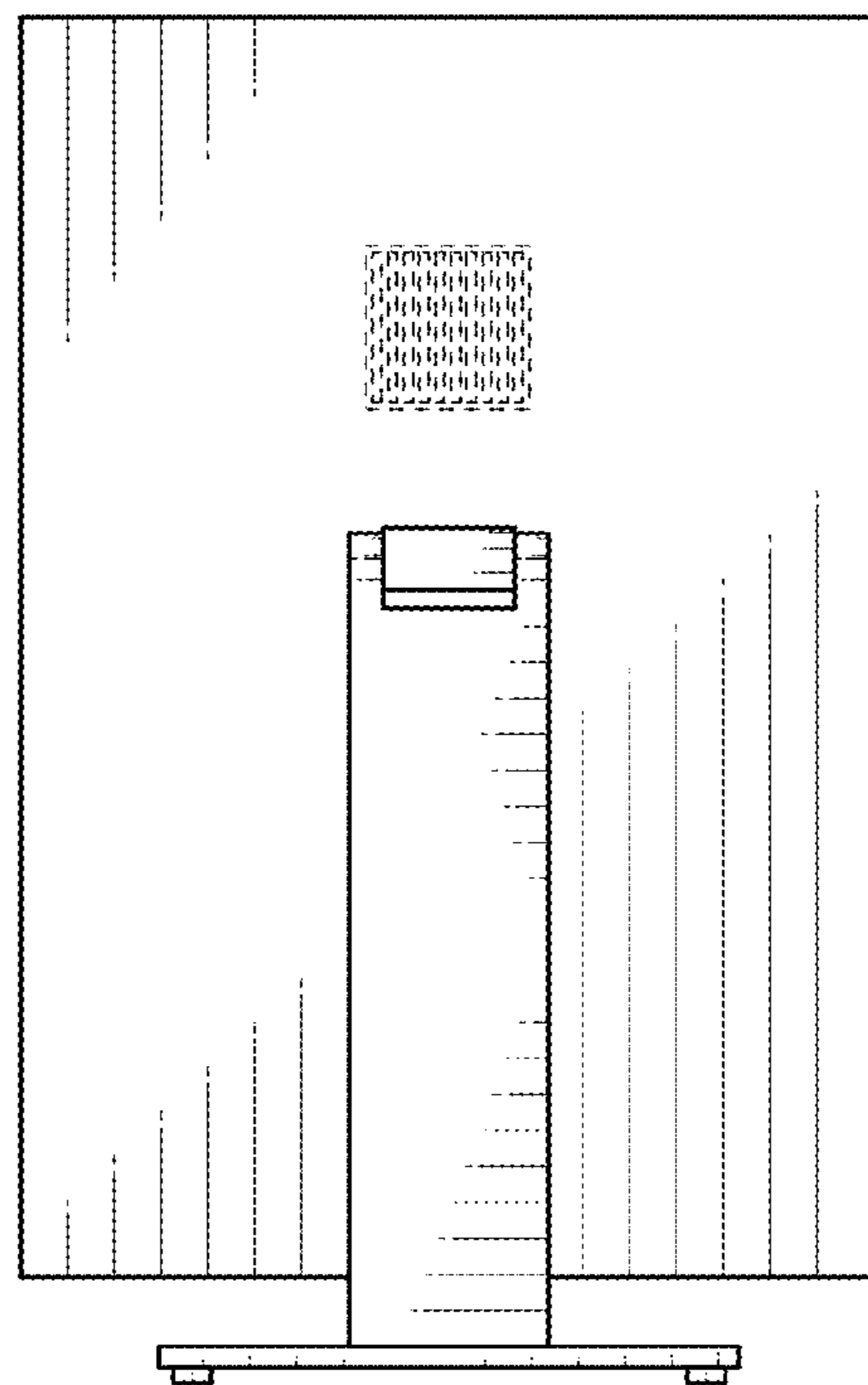


FIG. 3

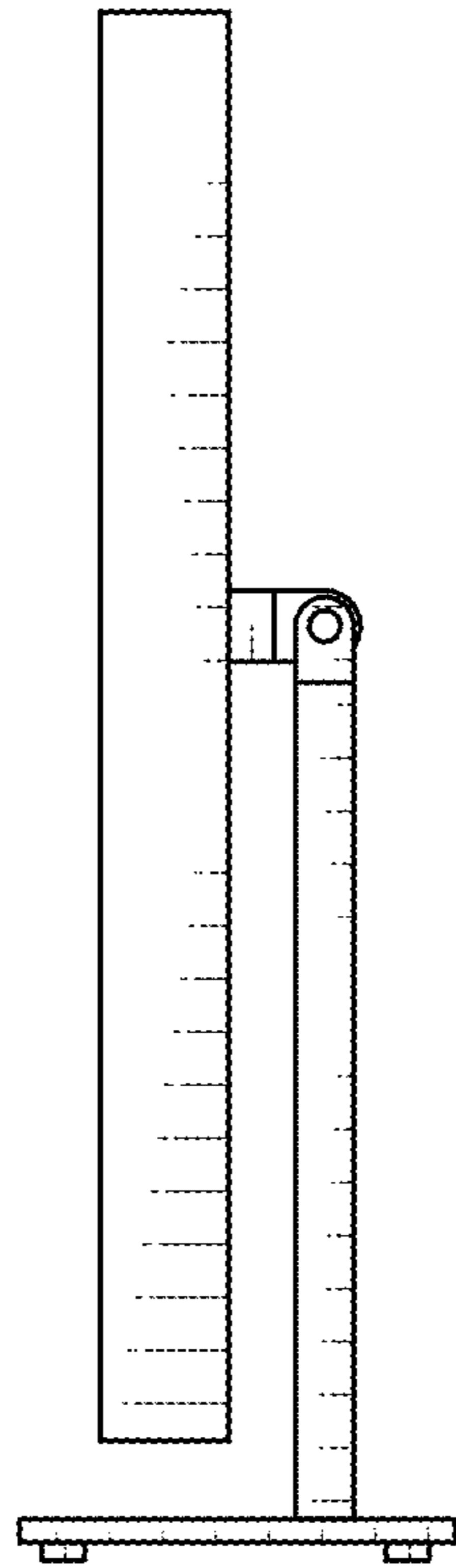


FIG. 4

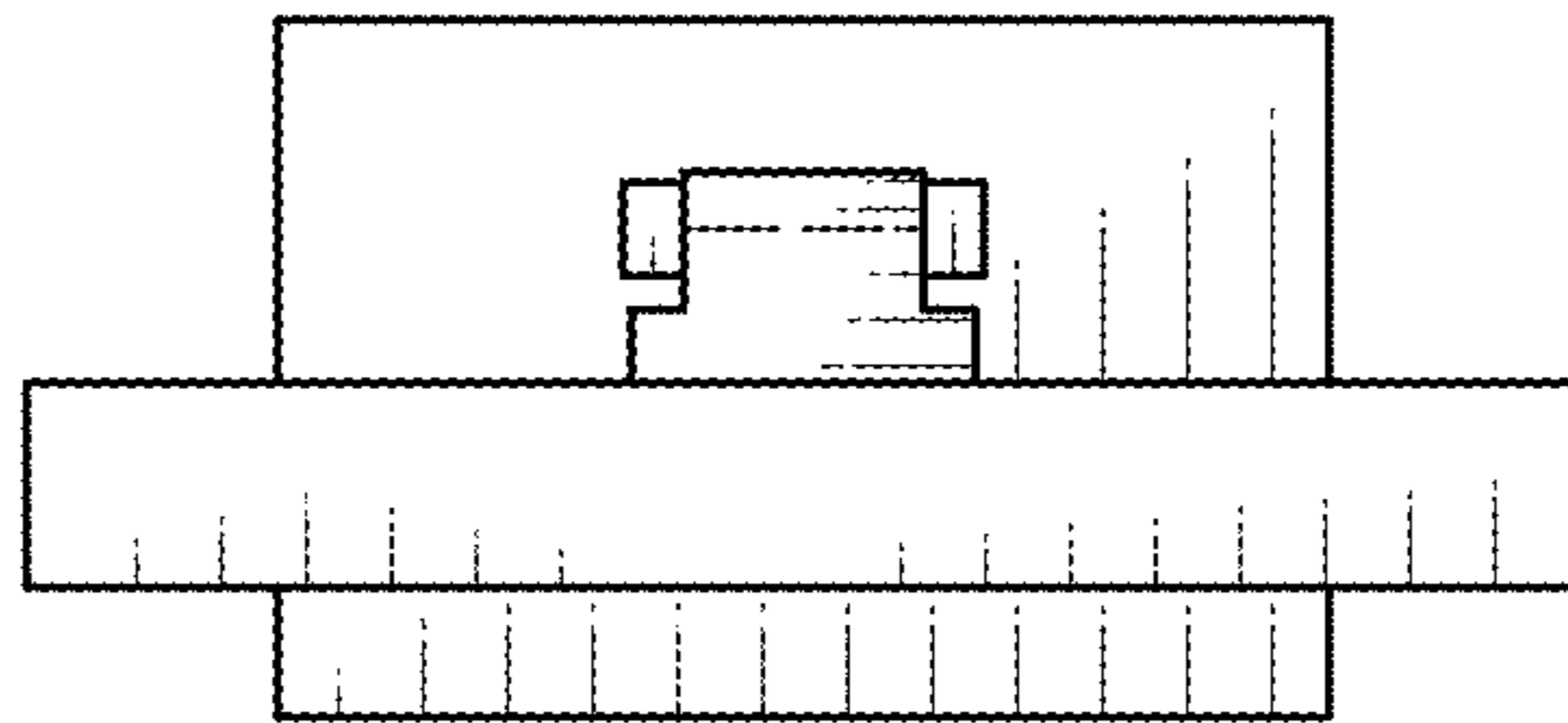


FIG. 5

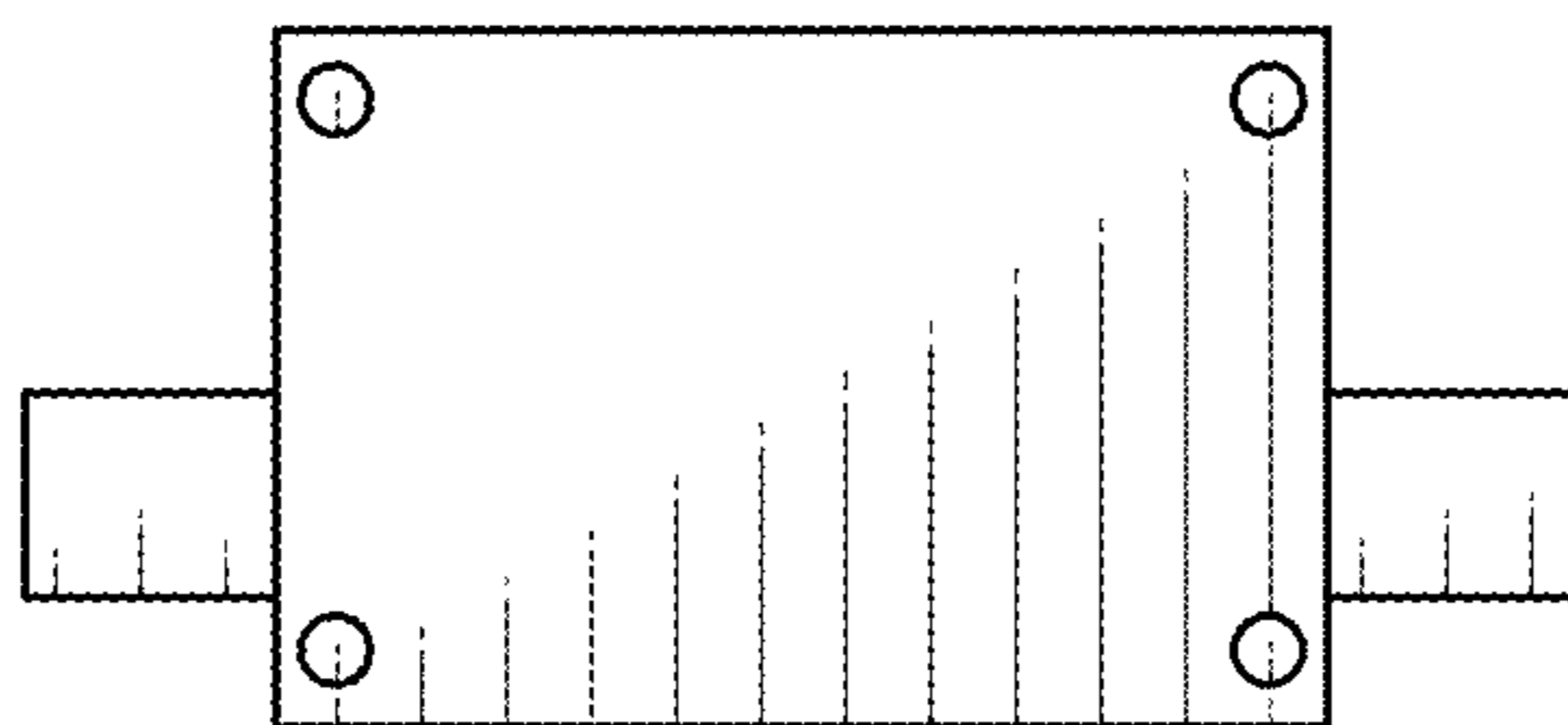


FIG. 6