



US00D942160S

(12) **United States Design Patent** (10) **Patent No.:** **US D942,160 S**
Jiang (45) **Date of Patent:** **** Feb. 1, 2022**

- (54) **MIRROR**
- (71) Applicant: **Shenzhenshi Tianshuoshangmaoyouxianzerengongsi**,
Shenzhenshi Guangdong (CN)
- (72) Inventor: **Zhiheng Jiang**, Shenzhenshi
Guangdong (CN)
- (**) Term: **15 Years**
- (21) Appl. No.: **29/778,573**
- (22) Filed: **Apr. 14, 2021**
- (51) **LOC (13) Cl.** **06-07**
- (52) **U.S. Cl.**
USPC **D6/309**
- (58) **Field of Classification Search**
USPC D6/300, 301, 302, 303, 304, 307, 308,
D6/309, 310, 311, 312, 313, 314;
D28/64.1-64.7; D16/135
CPC A45D 42/00; A45D 42/10; A45D 42/16;
A45D 42/20; A45D 42/24; A47G 1/00;
A47G 1/02; A47G 1/04; A47G 1/0622;
B60J 3/0282
See application file for complete search history.

(56) **References Cited**

U.S. PATENT DOCUMENTS

D379,125 S *	5/1997	Simjian	D24/139
D509,369 S *	9/2005	Snell	D6/310
D579,671 S	11/2008	Mischel, Jr.		
D702,048 S *	4/2014	Fung	D6/309
D729,525 S *	5/2015	Tsai	D6/300
D730,065 S *	5/2015	Tsai	D6/310
D738,118 S *	9/2015	Gyanendra	D6/310
D891,121 S *	7/2020	Zhao	D6/308
D891,125 S *	7/2020	Liu	D6/310
D897,694 S *	10/2020	Lin	D6/309
D898,387 S *	10/2020	Yang	D6/309

D916,472 S *	4/2021	Ghiorghie	D6/310
D925,928 S *	7/2021	Yang	D6/309
D935,791 S *	11/2021	Li	D6/300

FOREIGN PATENT DOCUMENTS

EM 008503437-0002 * 4/2021

OTHER PUBLICATIONS

AMZTOLIFE 8" Lighted Makeup Mirror [online], [site visited Nov. 17, 2021]. Available from internet, URL:<https://www.amazon.com/dp/B08LNGNL16/ref=sspa_dk_detail_1?psc=1&pd_rd_i=B08LNGNL16&pd_rd_w=QUFwk&pf_rd_p=54ed5474-54a8-4c7f-%E2%80%A61/12> (Year: 2020).*

(Continued)

Primary Examiner — George A Bugg
Assistant Examiner — Xavier Marti-Santos

(57) **CLAIM**

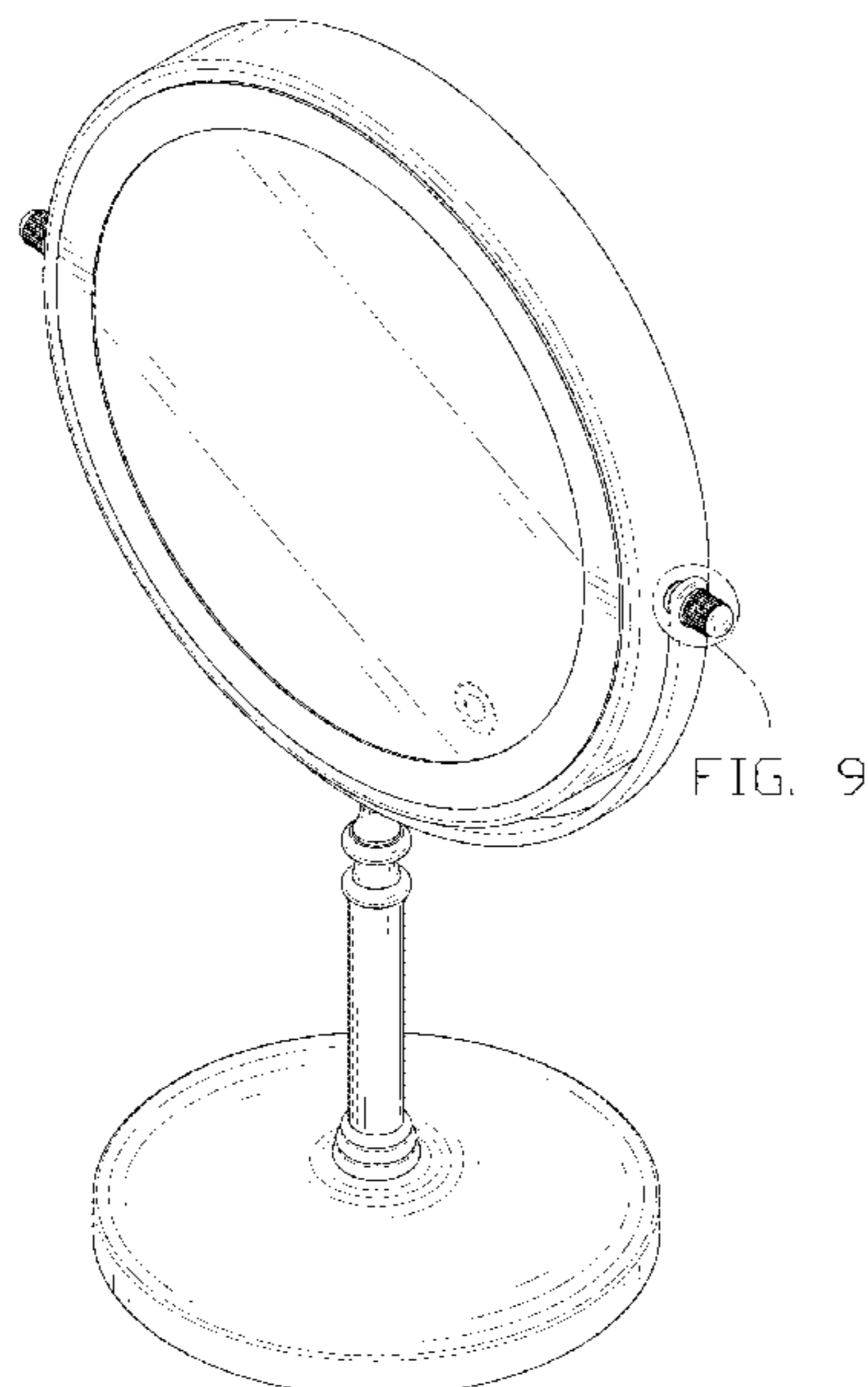
The ornamental design for a mirror, as shown and described.

DESCRIPTION

FIG. 1 is a front and top perspective view of a mirror, showing my new design;
FIG. 2 is a rear and bottom perspective view thereof;
FIG. 3 is a front elevation view thereof;
FIG. 4 is a rear elevation view thereof;
FIG. 5 is a left side elevation view thereof;
FIG. 6 is a right side elevation view thereof;
FIG. 7 is a top plan view thereof;
FIG. 8 is a bottom plan view thereof; and,
FIG. 9 is an enlarged view of a portion labeled, 'FIG. 9' in FIG. 1.

The broken lines in the figures illustrate portions of the mirror that form no part of the claimed design. The dash dot dash lines in FIGS. 1 and 9 are for the purpose of depicting the cut line of the enlarged view and form no part of the claim.

1 Claim, 9 Drawing Sheets



(56)

References Cited

OTHER PUBLICATIONS

Duovio Lighted Makeup Mirror [online], [site visited Nov. 17, 2021]. Available from internet, URL:<<https://www.amazon.com/dp/B09BMTP8QF/>> (Year: 2021).*

Zhiheng Jiang, Mirror https://www.amazon.com/dp/B092DK47ZS?ref=myi_title_dp.

* cited by examiner

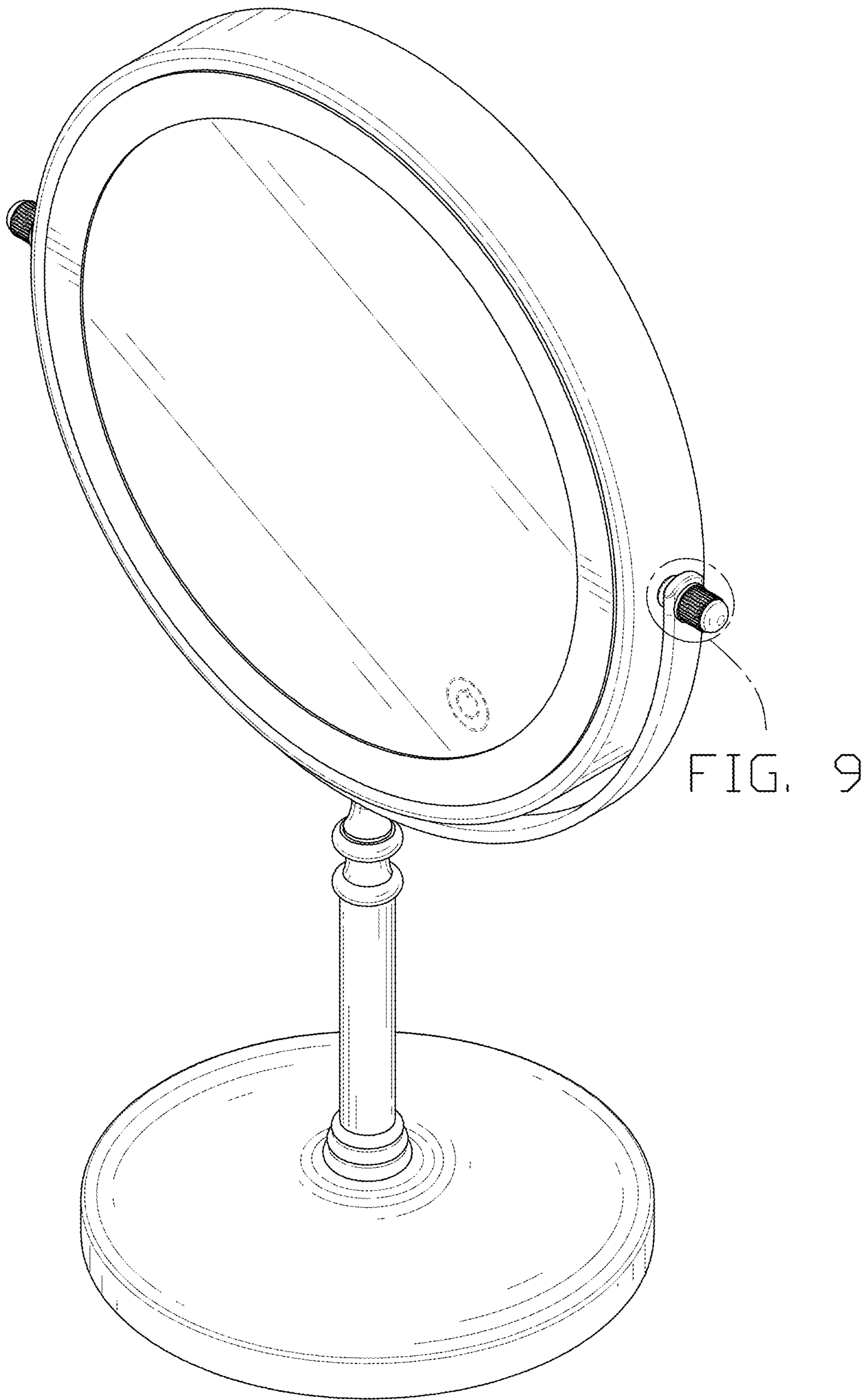


FIG. 1

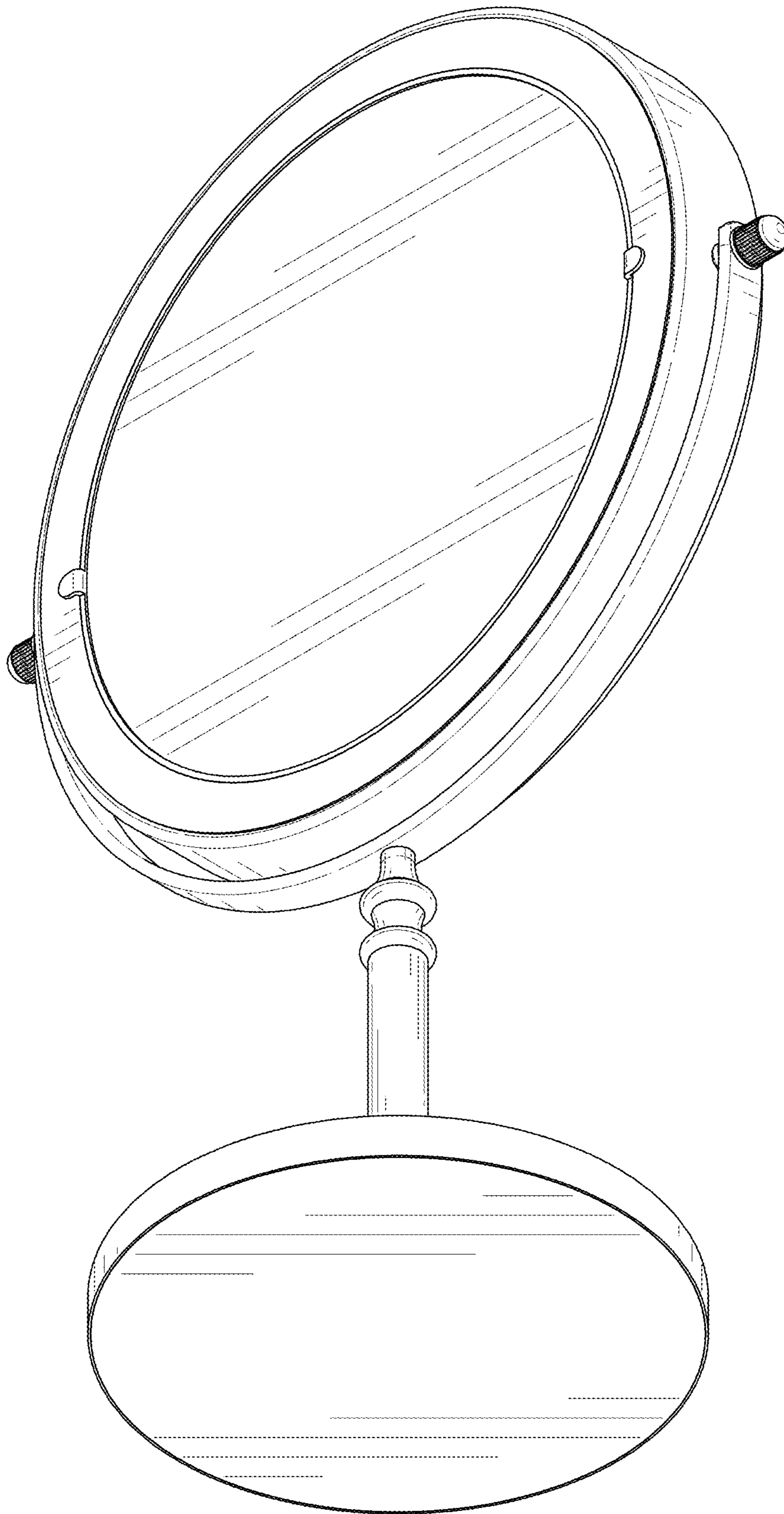


FIG. 2

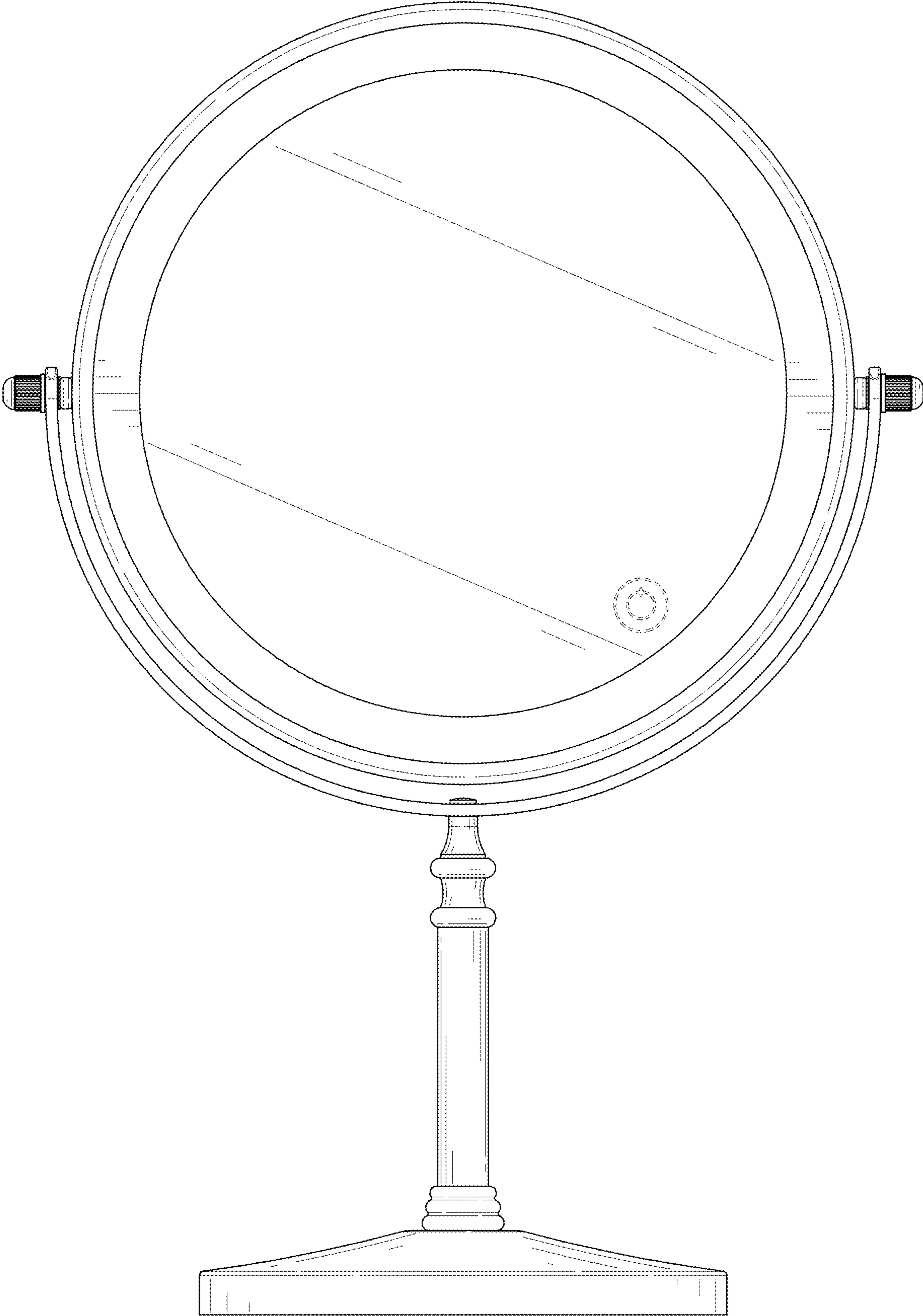


FIG. 3

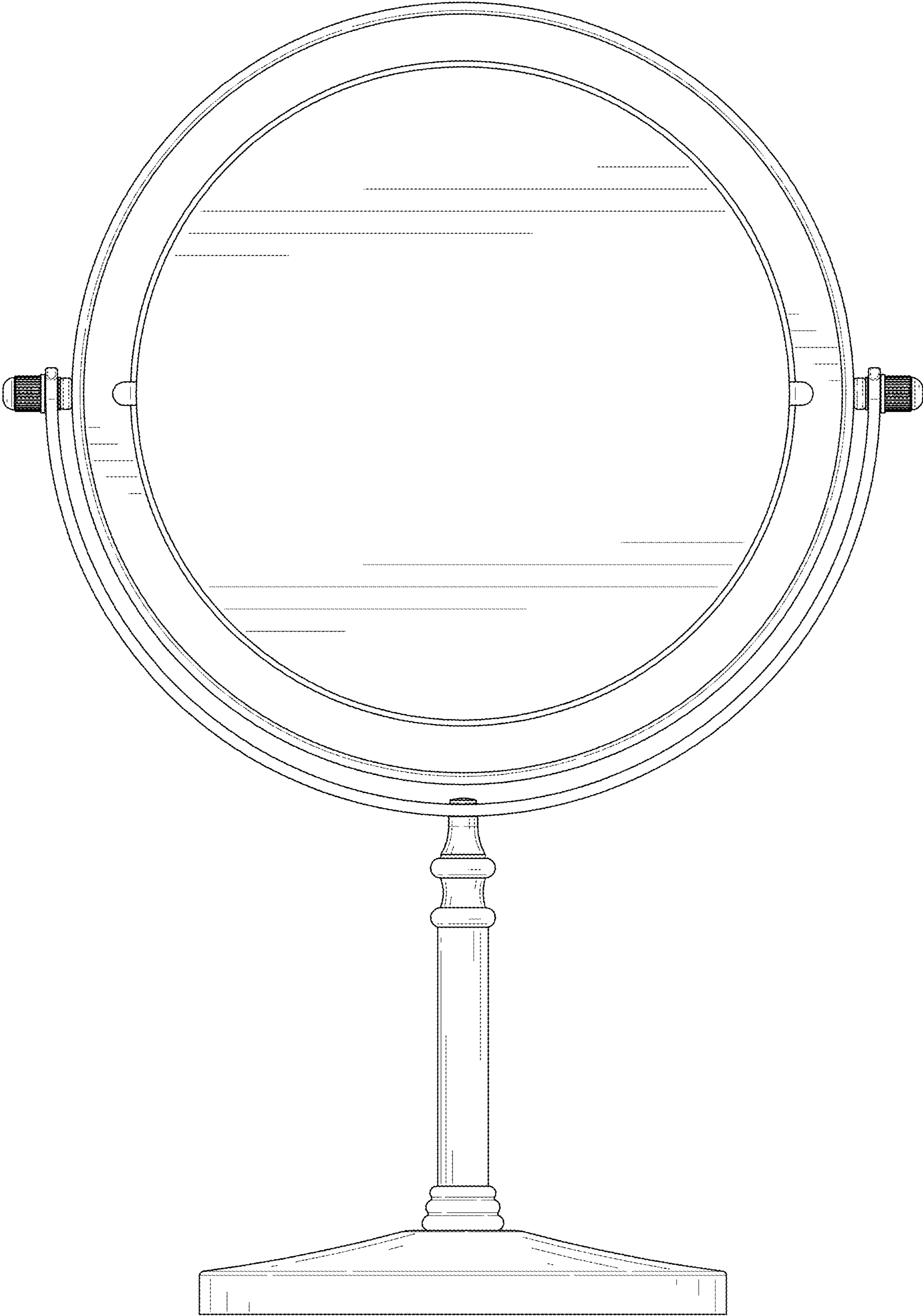


FIG. 4

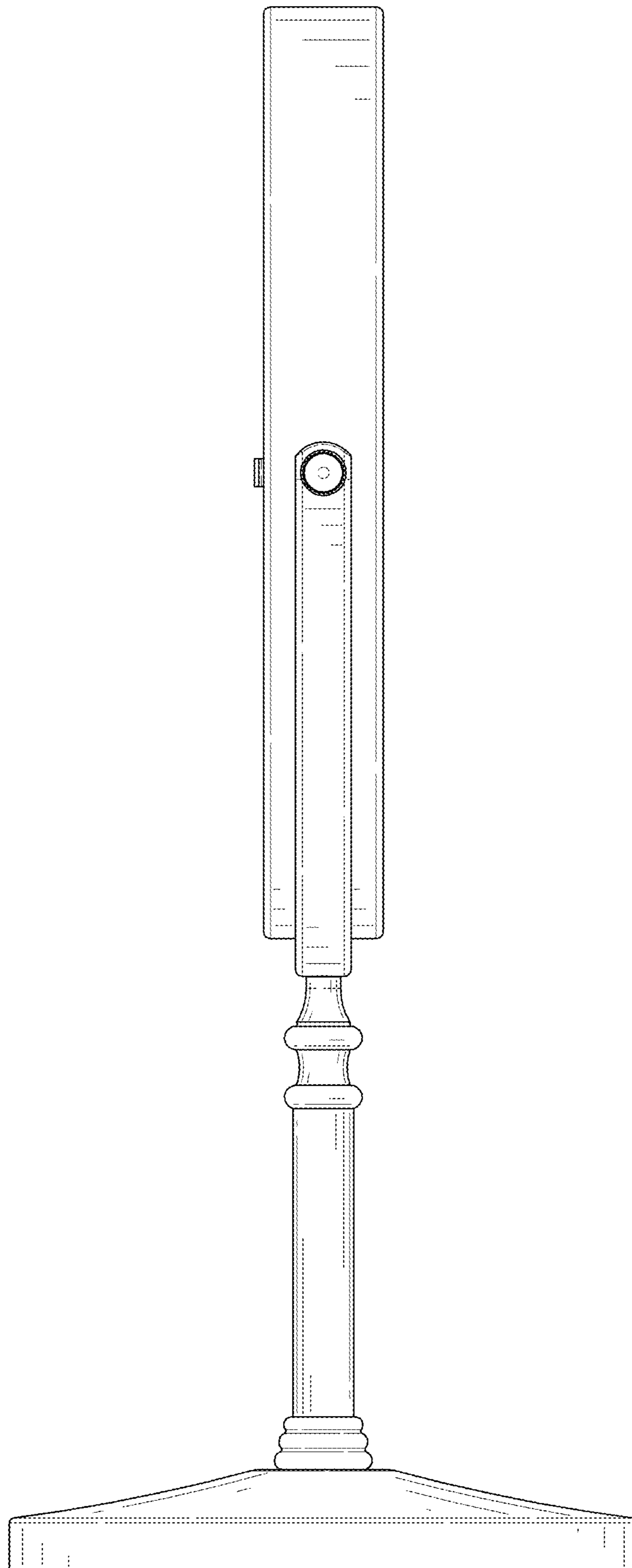


FIG. 5

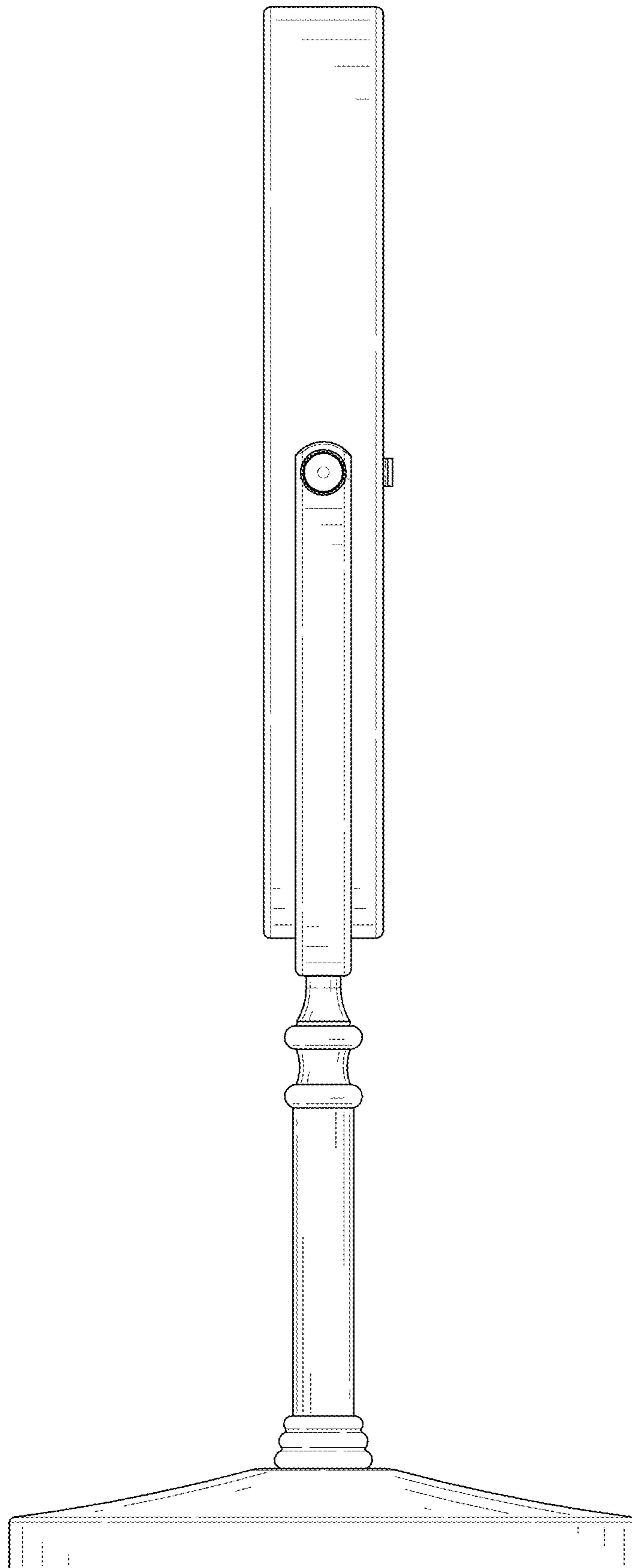


FIG. 6

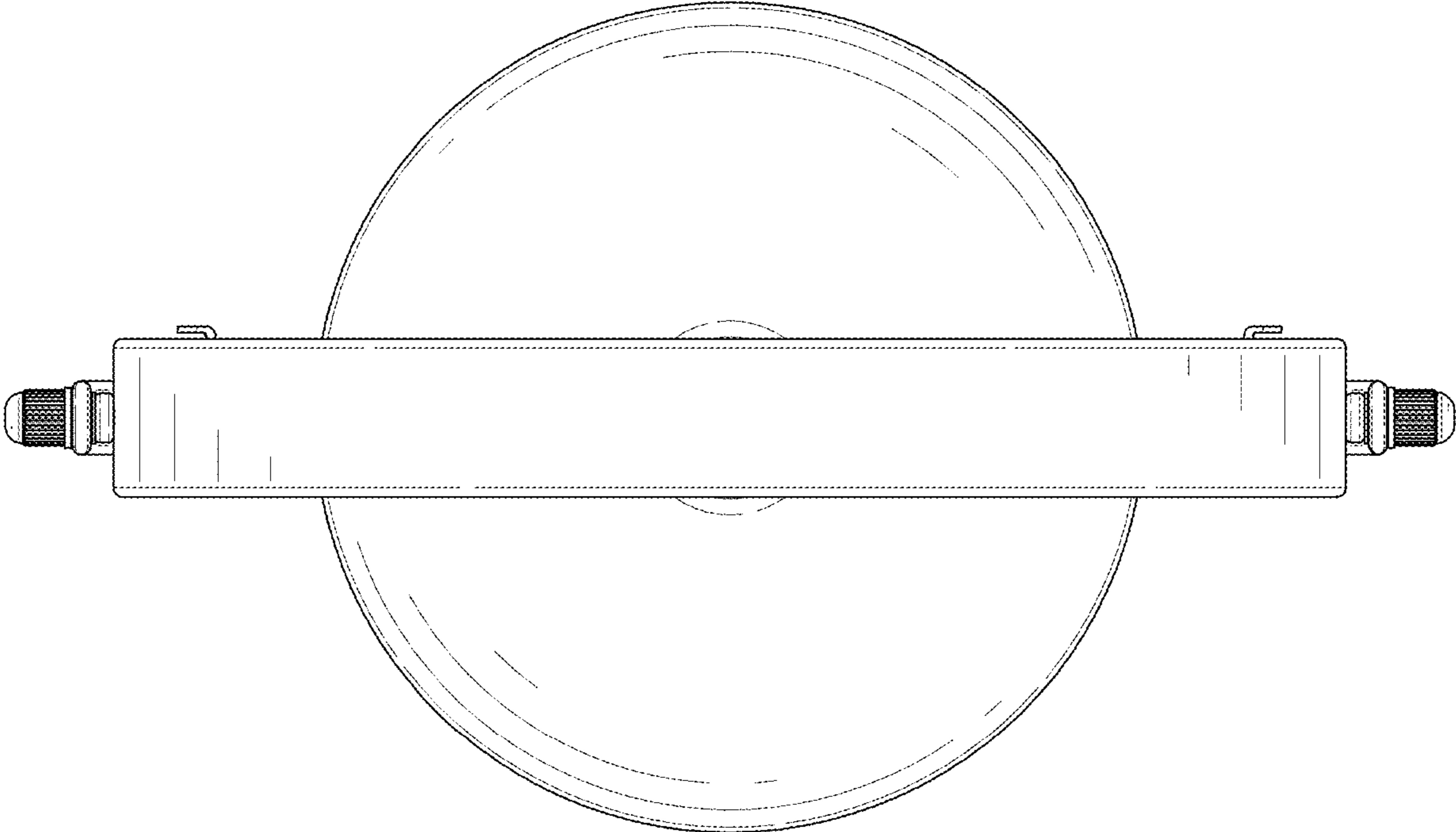


FIG. 7

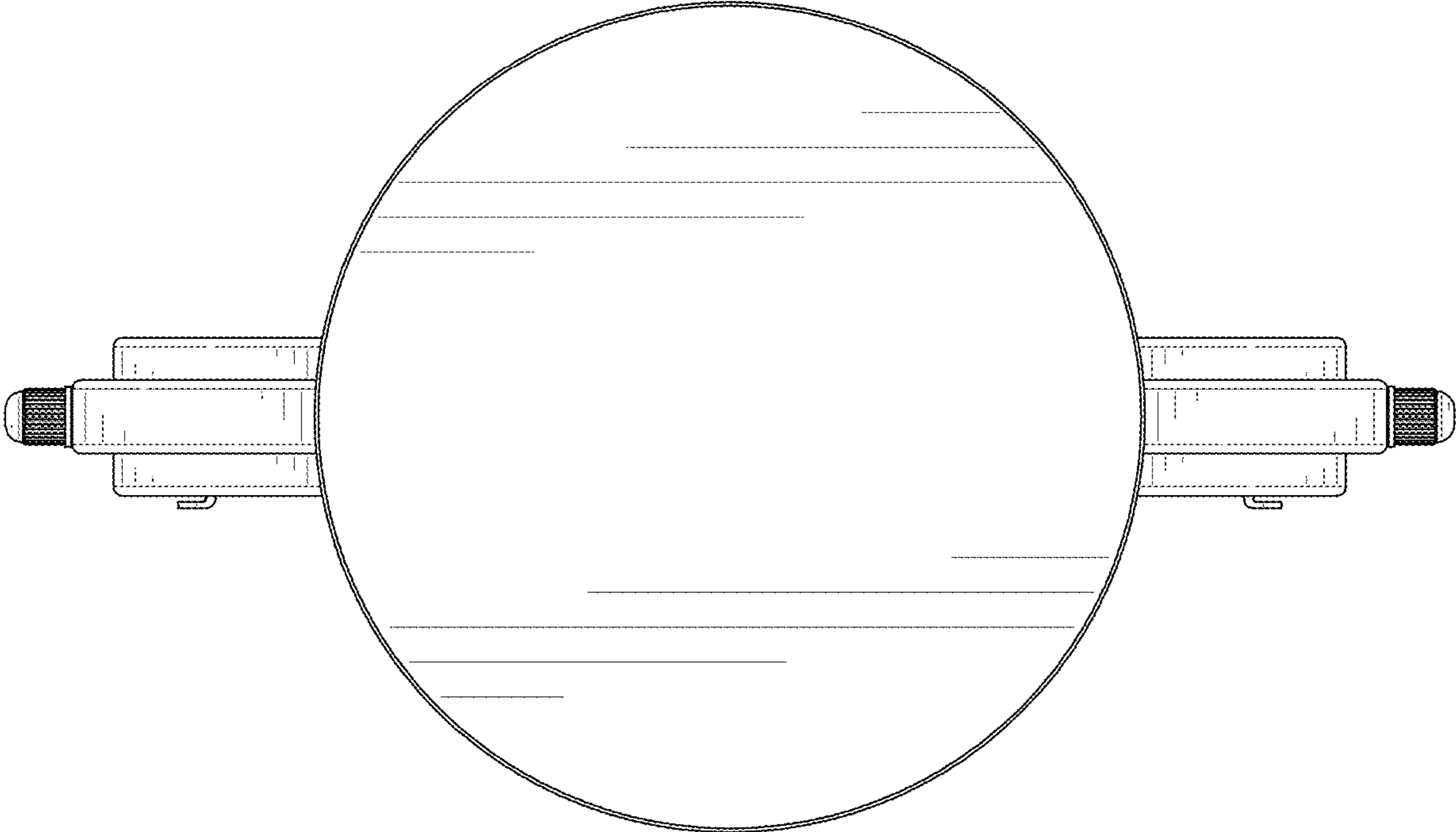


FIG. 8

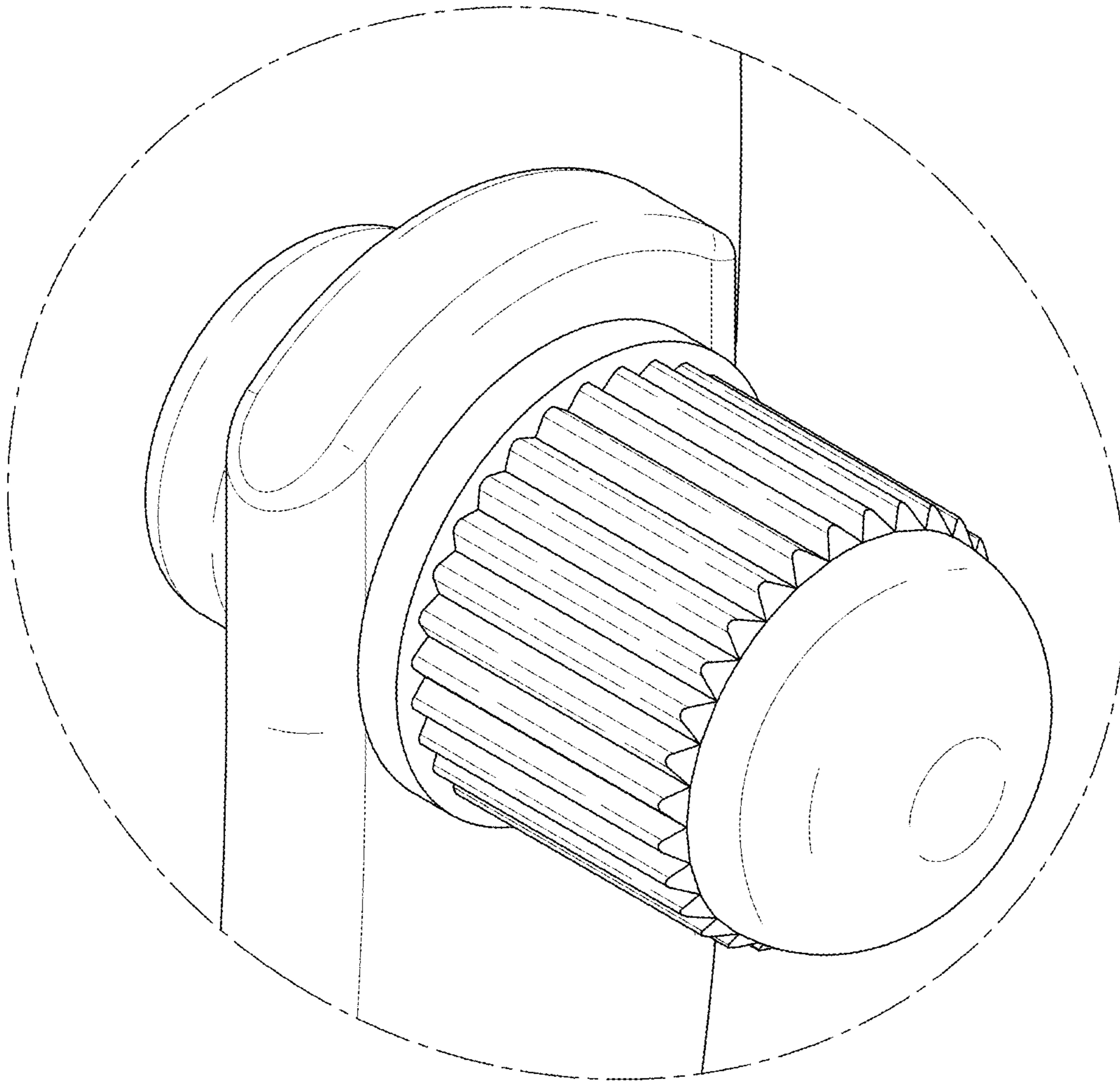


FIG. 9