



US00D942159S

(12) **United States Design Patent**
Yang

(10) **Patent No.:** **US D942,159 S**

(45) **Date of Patent:** **** Feb. 1, 2022**

(54) **MAKEUP MIRROR**
(71) Applicant: **DONGGUAN POWERME PLASTIC MFG. CO., LTD.**, Dongguan (CN)
(72) Inventor: **Guowei Yang**, Dongguan (CN)
(73) Assignee: **DONGGUAN POWERME PLASTIC MFG. CO., LTD.**, Dongguan (CN)
(**) Term: **15 Years**

(21) Appl. No.: **29/764,558**
(22) Filed: **Dec. 30, 2020**
(51) **LOC (13) Cl.** **06-07**
(52) **U.S. Cl.**
USPC **D6/309; D6/310**
(58) **Field of Classification Search**
USPC **D6/300-314**
CPC **A47G 1/00; A47G 1/0633; A47G 1/0622;**
A47G 1/04; A47G 2200/08; A47G
2200/085; A45D 42/20
See application file for complete search history.

(56) **References Cited**
U.S. PATENT DOCUMENTS
D701,050 S * 3/2014 Yang D6/309
D736,001 S * 8/2015 Yang D6/309
D865,374 S 11/2019 Yang
D880,171 S 4/2020 Yang
D885,769 S * 6/2020 Wang D6/309
D891,123 S * 7/2020 Li D6/310

D892,508 S * 8/2020 Yang D6/309
D897,695 S * 10/2020 Yang D6/309
D898,386 S * 10/2020 Huang D6/309
D901,908 S * 11/2020 Zhao D6/309
D905,440 S * 12/2020 Yang D6/310
D909,770 S * 2/2021 Li D6/309
D919,984 S * 5/2021 Yang D6/312
D924,456 S * 7/2021 Zhao D26/56

* cited by examiner

Primary Examiner — Deanna L Pratt

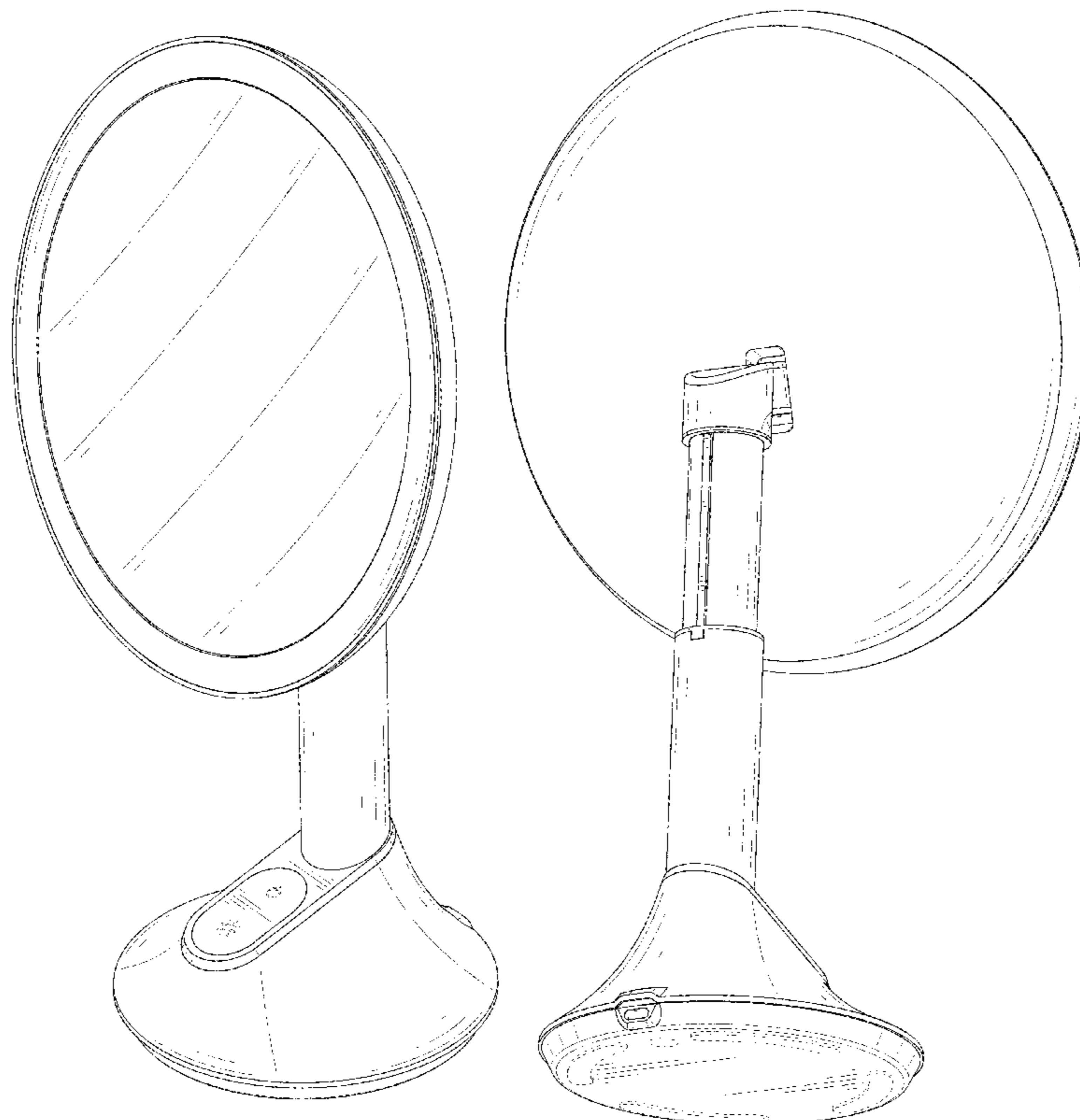
(57) **CLAIM**

The ornamental design for a makeup mirror, as shown and described.

DESCRIPTION

FIG. 1 is a perspective view of a makeup mirror showing my new design;
FIG. 2 is another perspective view thereof;
FIG. 3 is a front elevational view thereof;
FIG. 4 is a rear elevational view thereof;
FIG. 5 is a left side elevational view thereof;
FIG. 6 is a right side elevational view thereof;
FIG. 7 is a top plan view thereof;
FIG. 8 is a bottom plan view thereof; and,
FIG. 9 is a perspective view of the makeup mirror where the makeup mirror is in a configuration of use.
The broken lines in the drawings depict portions of the makeup mirror that form no part of the claimed design.

1 Claim, 9 Drawing Sheets



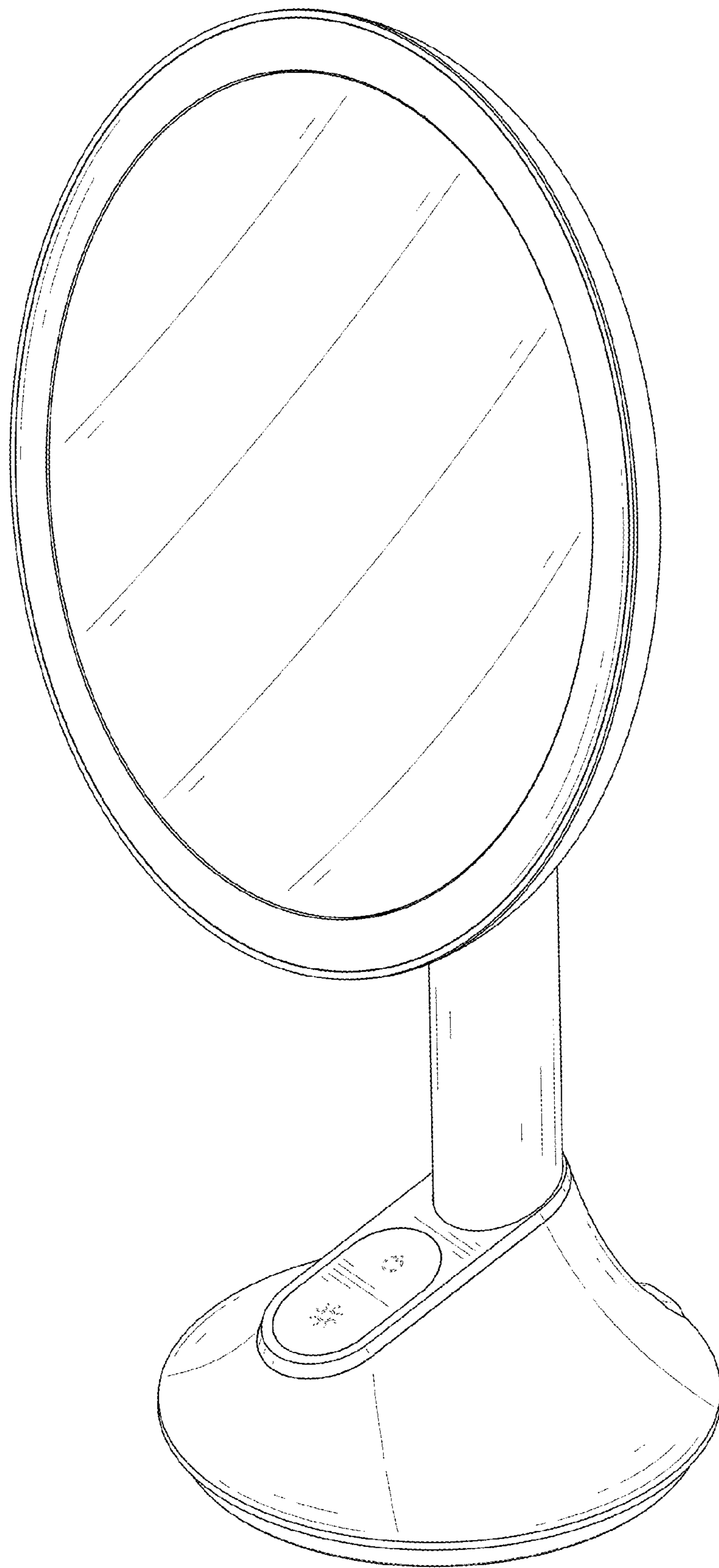


FIG. 1

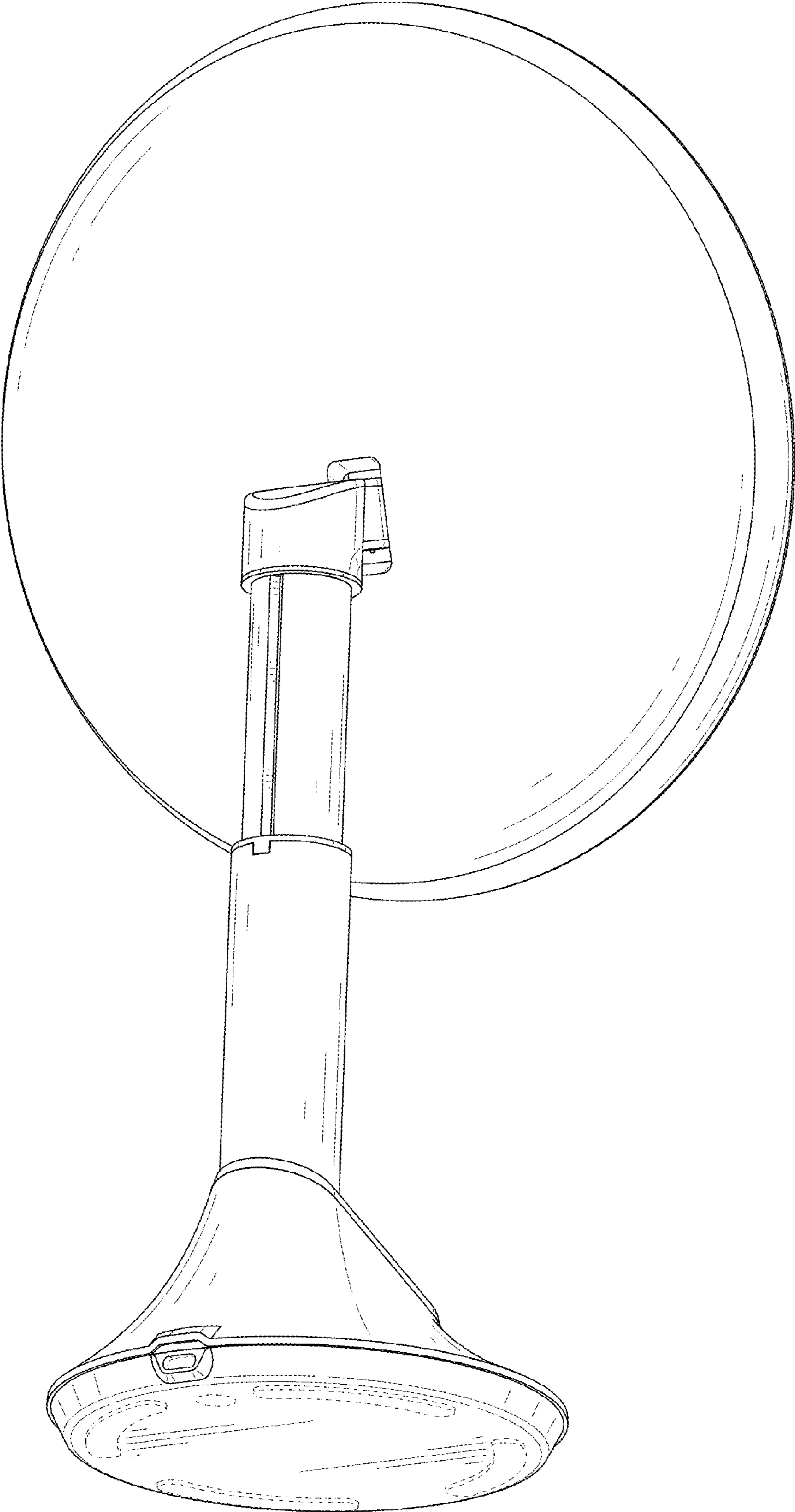


FIG. 2

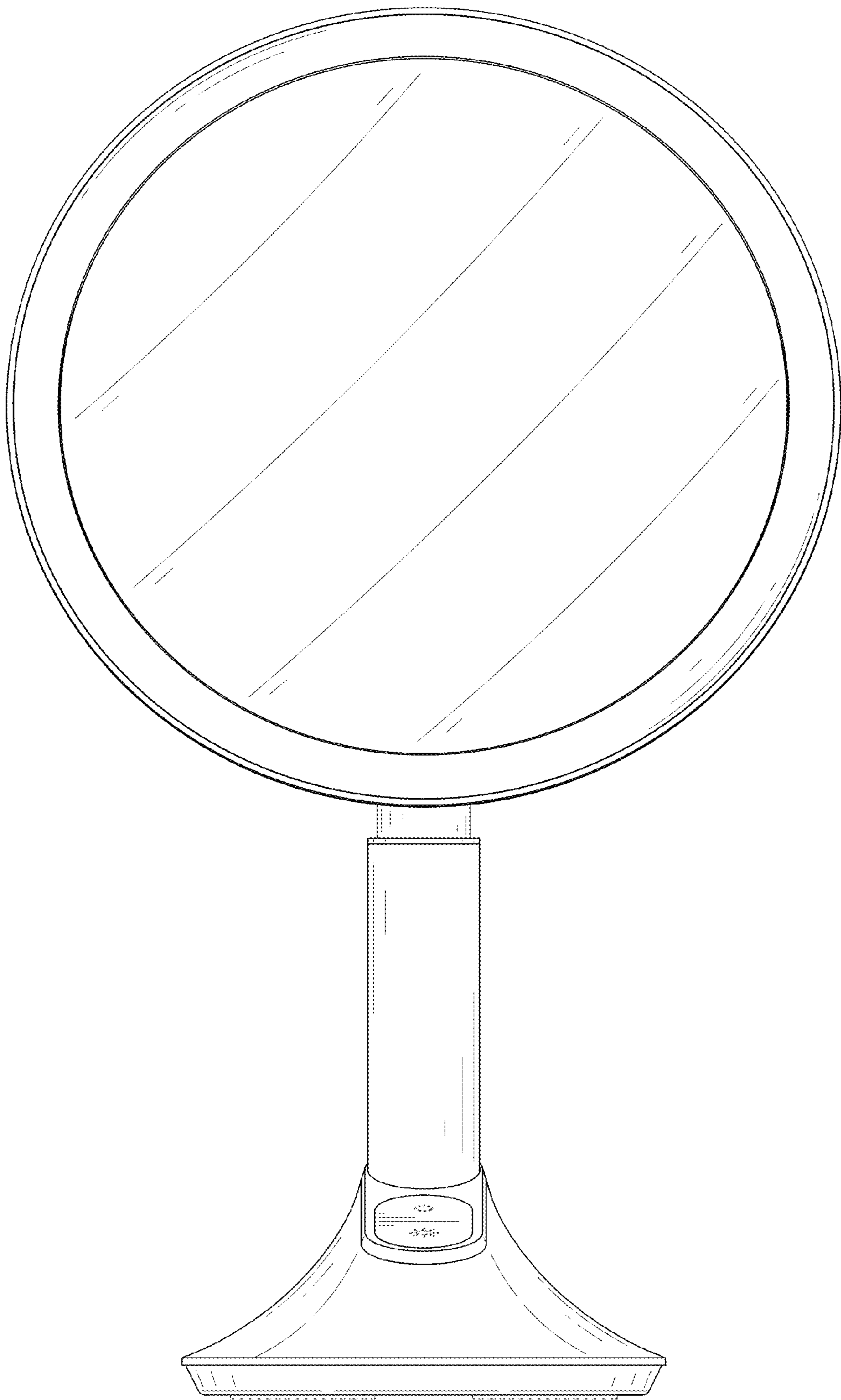


FIG. 3

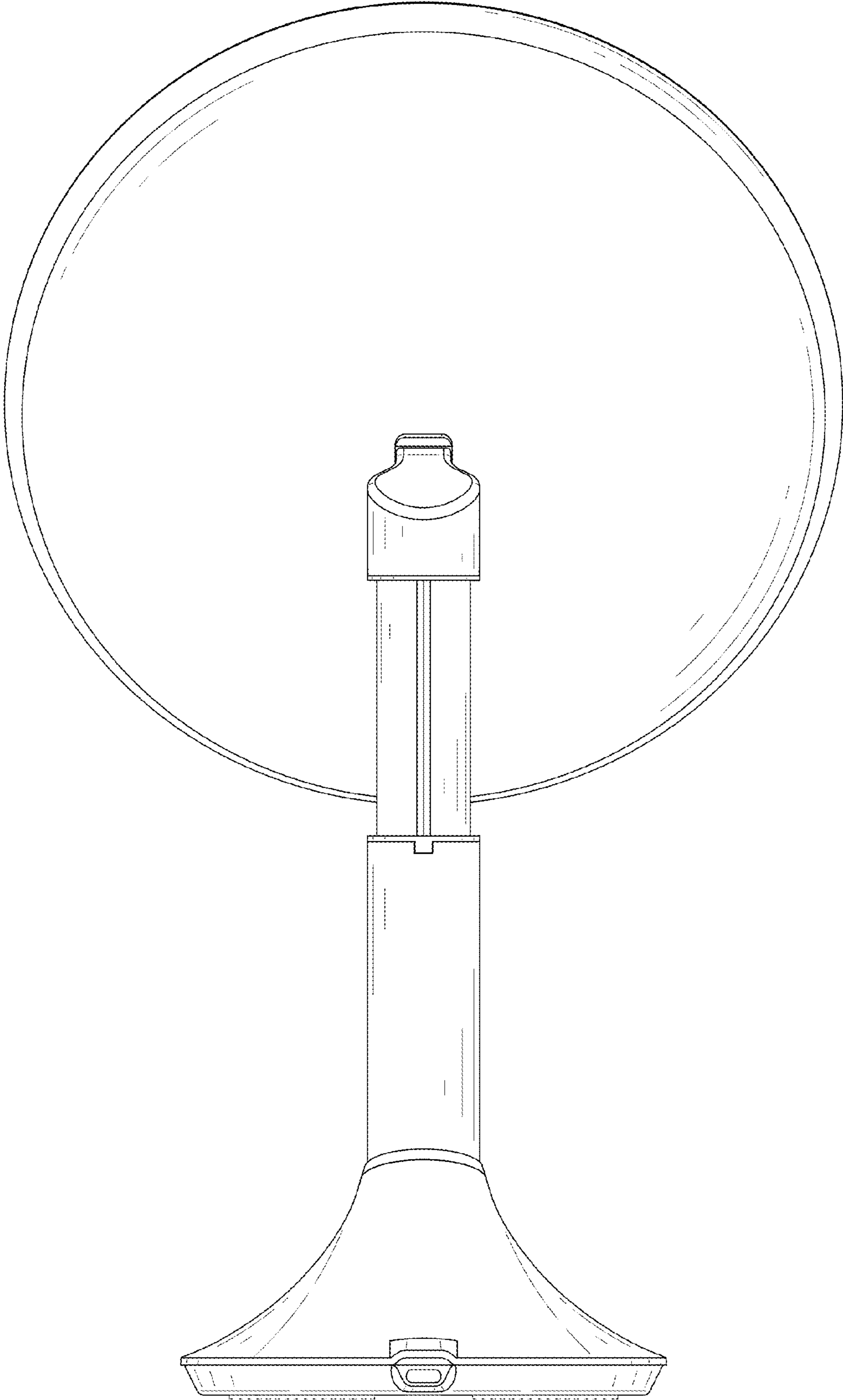


FIG. 4

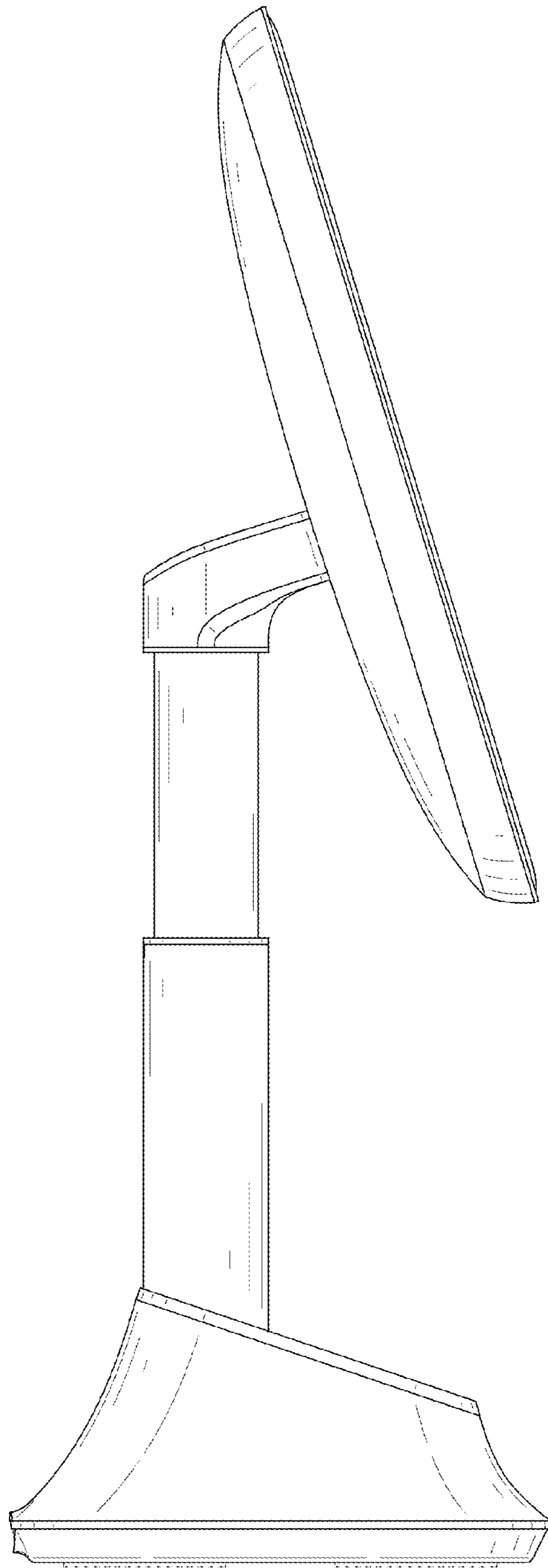


FIG. 5

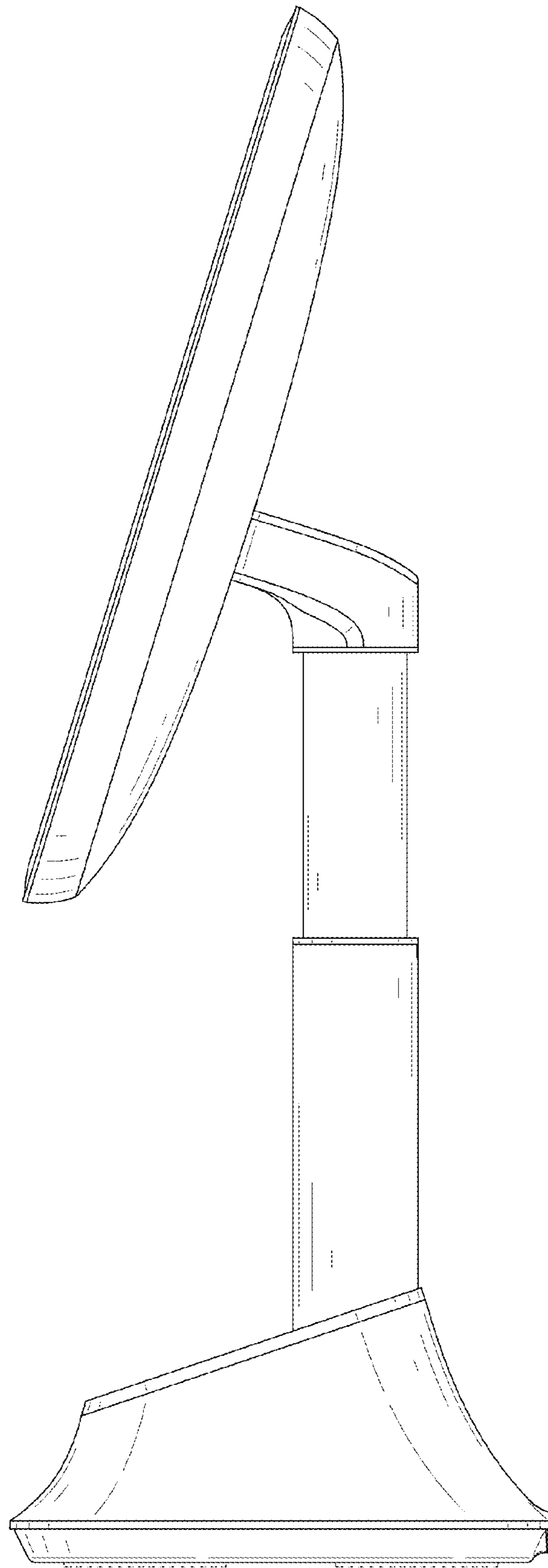


FIG. 6

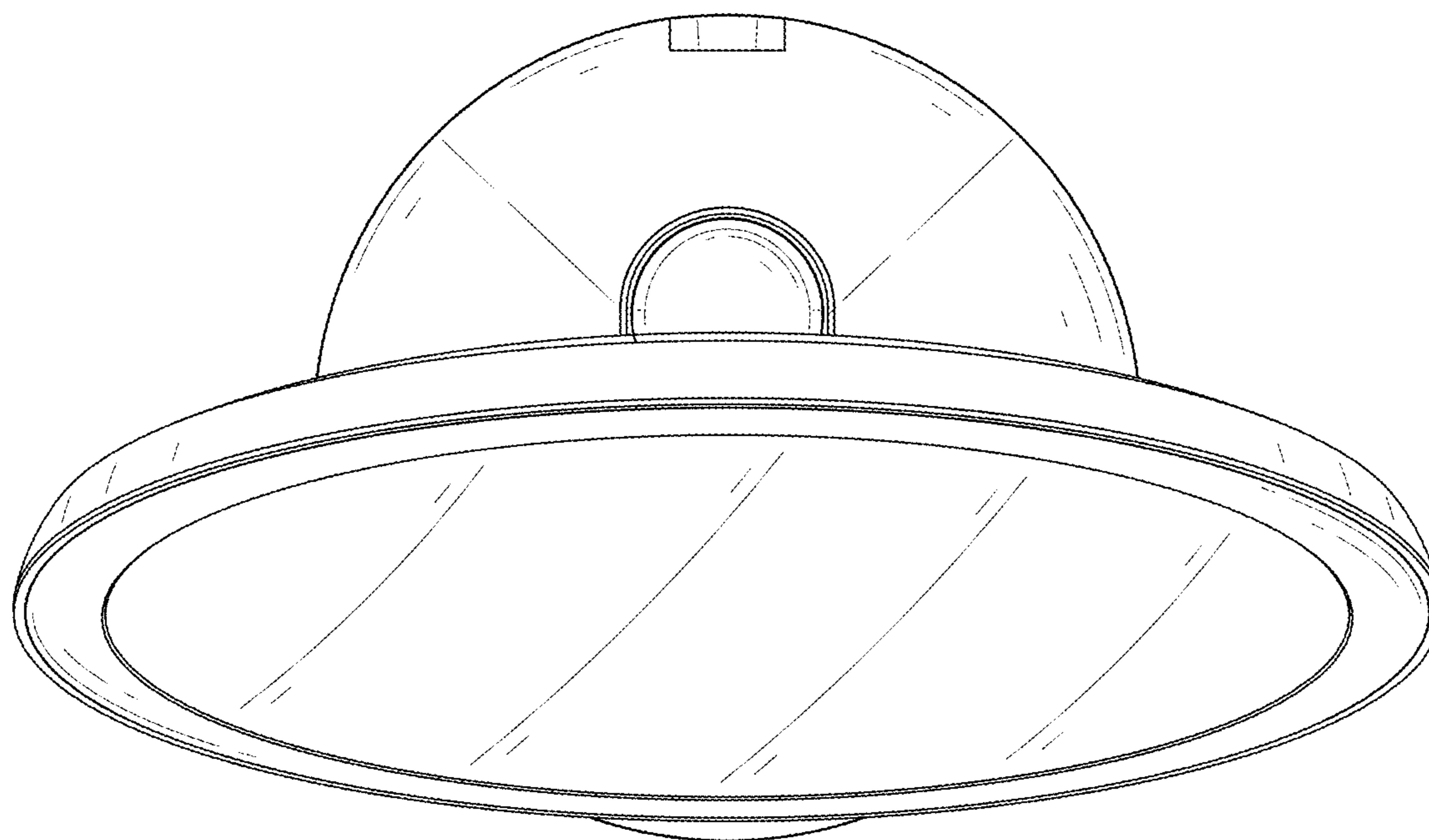


FIG. 7

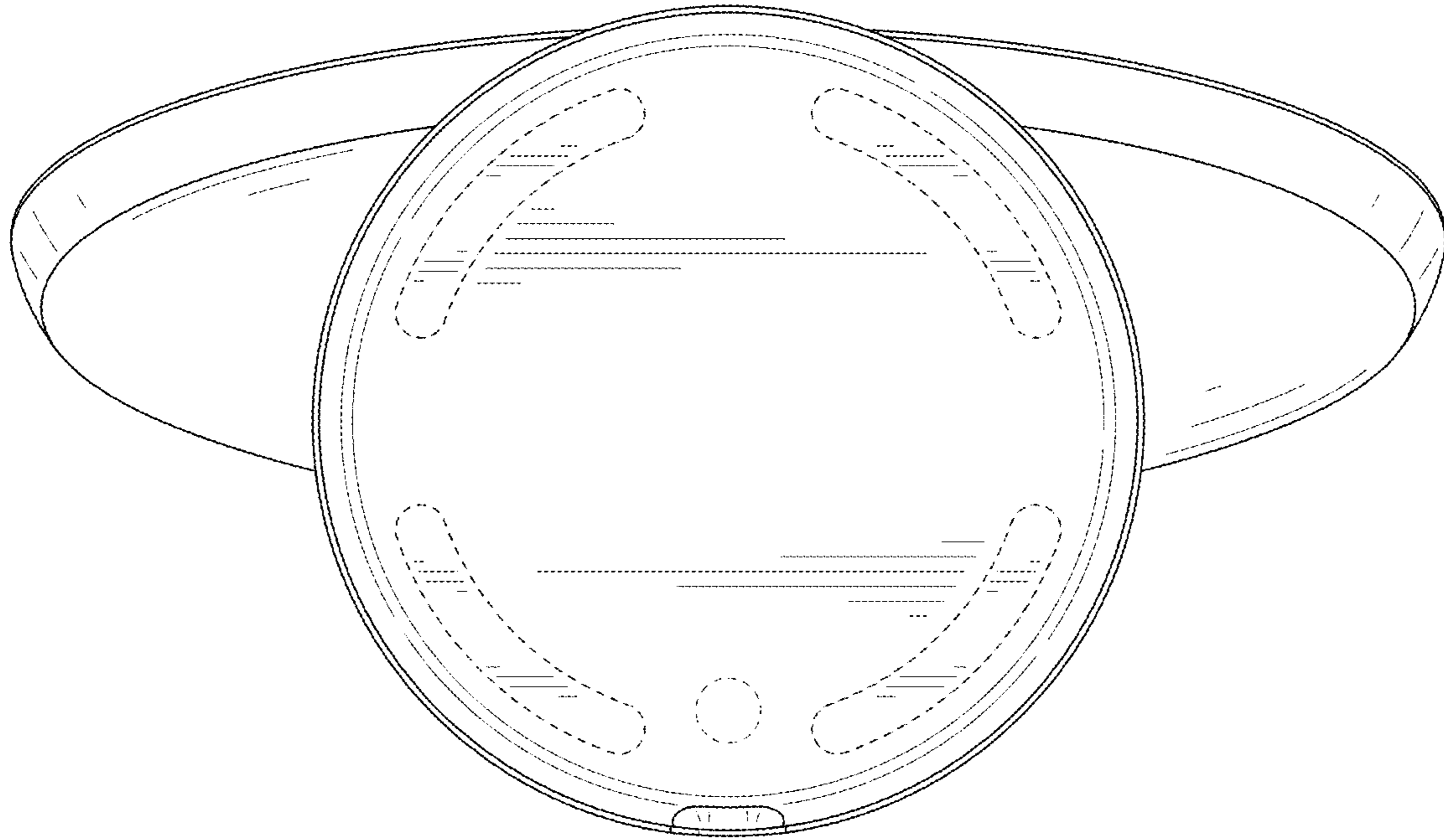


FIG. 8

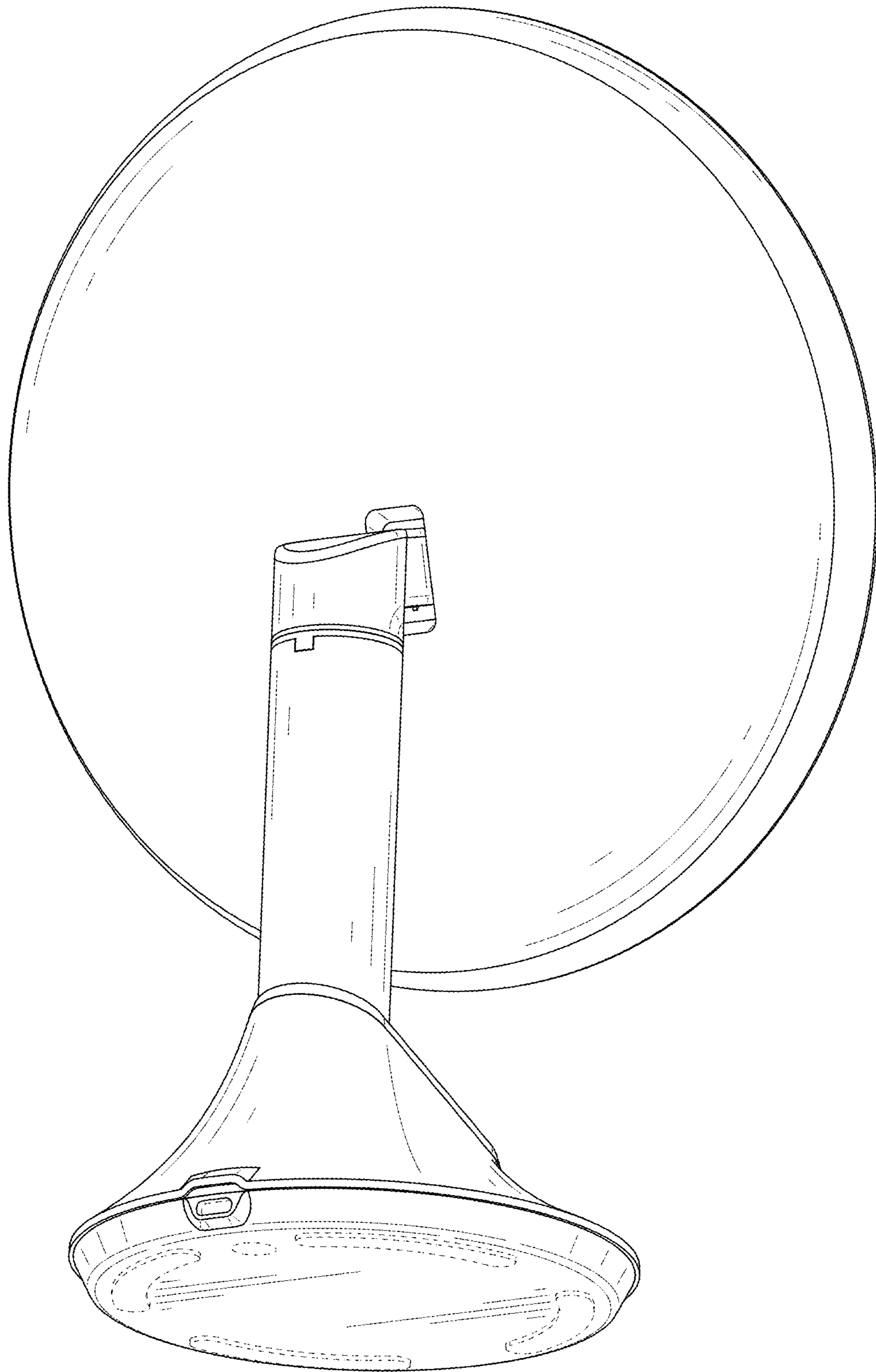


FIG. 9