

US00D942158S

(12) **United States Design Patent**
Li et al.

(10) **Patent No.: US D942,158 S**
(45) **Date of Patent: ** Feb. 1, 2022**

- (54) **LED MAKEUP MIRROR**
- (71) Applicant: **BEIJING XIAOMI MOBILE SOFTWARE CO., LTD.**, Beijing (CN)
- (72) Inventors: **Ningning Li**, Beijing (CN); **Jing Jiang**, Beijing (CN); **Yuan Gao**, Beijing (CN); **Ke Li**, Beijing (CN); **Xinjun Zhang**, Beijing (CN); **Zhilong Cheng**, Beijing (CN)
- (73) Assignee: **BEIJING XIAOMI MOBILE SOFTWARE CO., LTD.**, Beijing (CN)

6,305,809 B1 * 10/2001 Zadro A45D 42/08
248/474
D509,369 S * 9/2005 Snell D6/310
D511,413 S * 11/2005 Yue D6/300
7,048,406 B1 * 5/2006 Shih A45D 42/10
362/135
D540,549 S * 4/2007 Yue D6/312
7,513,476 B1 * 4/2009 Huang A45D 42/16
248/474
D639,077 S * 6/2011 DeBretton Gordon D6/310
D649,790 S * 12/2011 Pitot D6/309
D652,220 S * 1/2012 Pitot D6/309

(Continued)

(**) Term: **15 Years**

(21) Appl. No.: **35/510,154**

(22) Filed: **Aug. 7, 2020**

(80) **Hague Agreement Data**

Int. Filing Date: **Aug. 7, 2020**
 Int. Reg. No.: **DM/209872**
 Int. Reg. Date: **Aug. 7, 2020**
 Int. Reg. Pub. Date: **Aug. 28, 2020**

(30) **Foreign Application Priority Data**

Feb. 11, 2020 (CN) 202030049545.8

(51) **LOC (13) Cl.** **06-07**

(52) **U.S. Cl.**
USPC **D6/308**

(58) **Field of Classification Search**
 USPC D6/300, 308, 309, 310, 312, 313
 CPC A47G 1/00; A47G 2001/002; A47G 1/02;
 A47G 1/04; A47G 1/0616; A47G 1/0622;
 A47G 1/166; A47G 2001/1673
 See application file for complete search history.

(56) **References Cited**

U.S. PATENT DOCUMENTS

D425,313 S * 5/2000 Zadro D6/309
 6,273,585 B1 * 8/2001 Wu F21V 21/30
 362/135

OTHER PUBLICATIONS

Notification of Refusal dated Jul. 1, 2021 in connection with International Registration No. DM/209872.

(Continued)

Primary Examiner — Steven J Czyz

(74) *Attorney, Agent, or Firm* — Amster, Rothstein & Ebenstein LLP

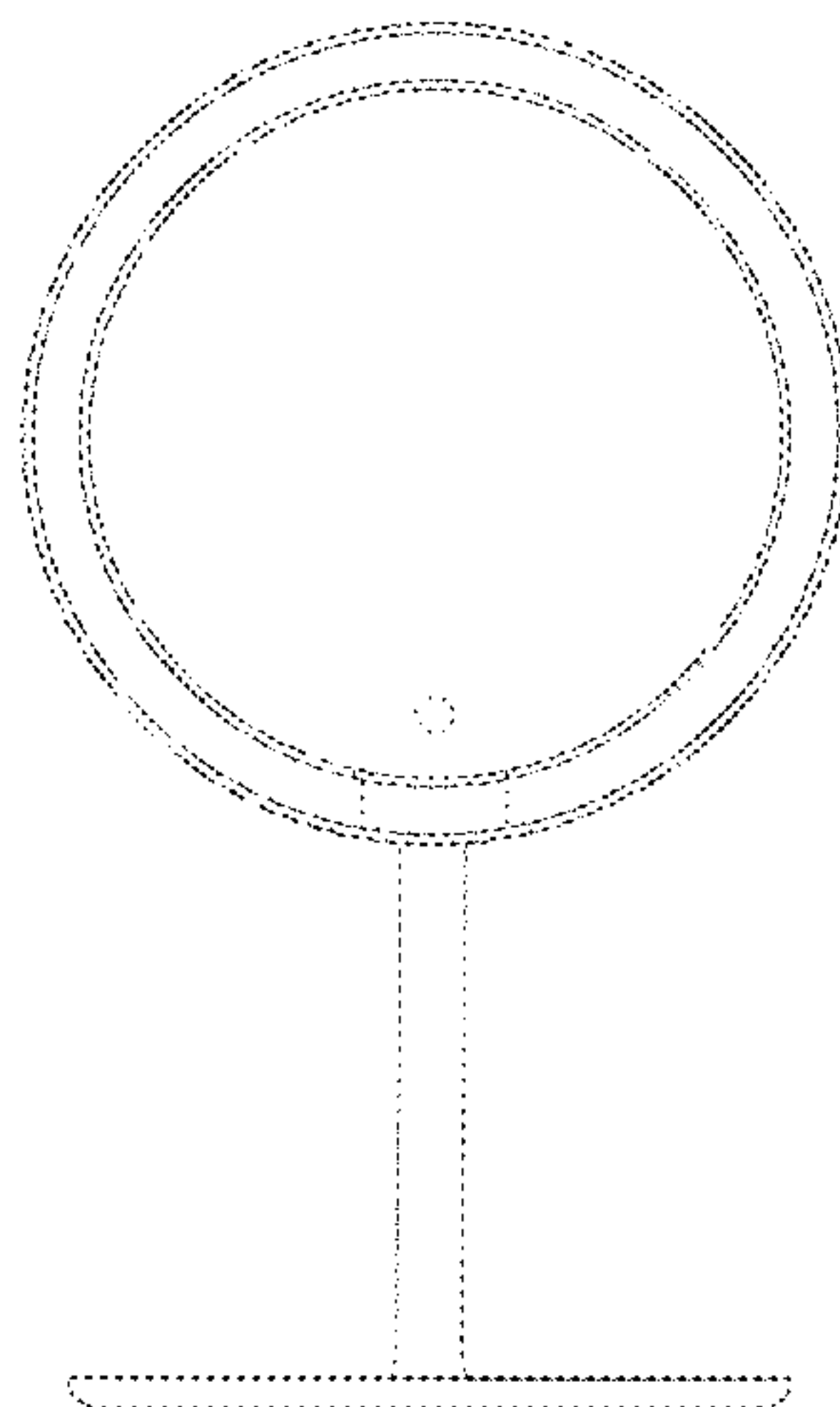
(57) **CLAIM**

The ornamental design for a LED makeup mirror, as shown and described.

DESCRIPTION

1. LED makeup mirror
 1.1 is a front elevation view of a LED make-up mirror showing our new design;
 1.2. is a back elevation view thereof;
 1.3 is a left side elevation view thereof;
 1.4 is a right side elevation view thereof;
 1.5 is a top plan view thereof;
 1.6 is a bottom plan view thereof; and
 1.7 is a perspective view thereof.
 The broken lines depict portions of the article that form no part of the claimed design.

1 Claim, 7 Drawing Sheets



(56)

References Cited

U.S. PATENT DOCUMENTS

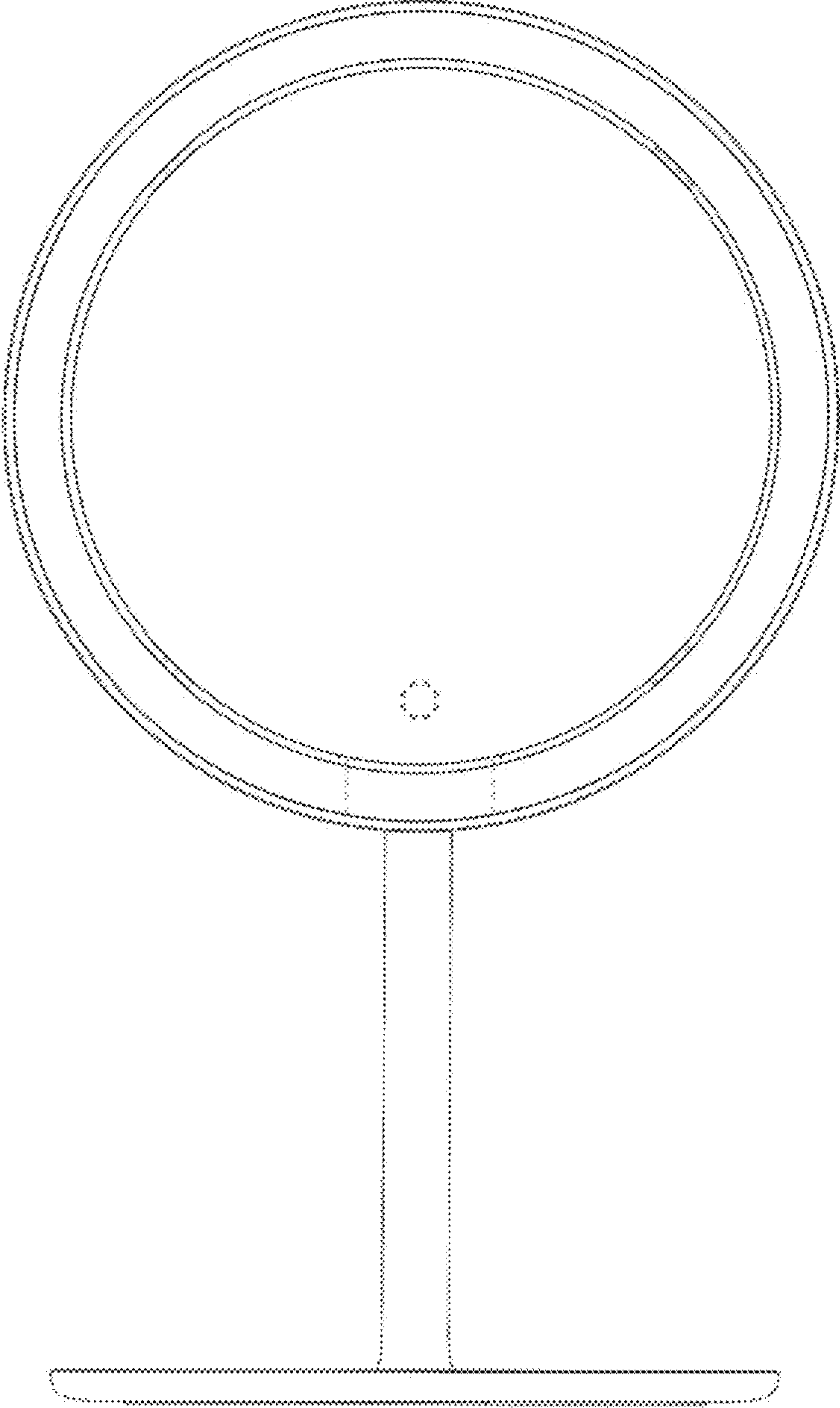
8,162,502 B1 * 4/2012 Zadro F21V 33/004
362/141
8,356,908 B1 * 1/2013 Zadro F21V 33/004
362/136
D699,952 S * 2/2014 Yang D6/309
D701,050 S * 3/2014 Yang D6/309
D727,630 S * 4/2015 Zadro D6/312
D729,525 S * 5/2015 Tsai A45D 42/00
D6/300
D730,065 S * 5/2015 Tsai D6/310
D736,001 S * 8/2015 Yang D6/309
D737,060 S * 8/2015 Yang D6/310
D738,118 S * 9/2015 Gyanendra D6/310
D776,316 S * 1/2017 Kim D26/51
D779,836 S * 2/2017 Bailey D6/309
D793,099 S * 8/2017 Bailey D6/309
D816,350 S * 5/2018 Yang D6/309
D830,706 S * 10/2018 Pitot D6/309
D840,699 S * 2/2019 Xie D6/309
10,206,486 B2 * 2/2019 Zimmerman A45D 42/08
D846,288 S * 4/2019 Yang D6/309
D850,125 S * 6/2019 Wang D6/309
D865,375 S * 11/2019 Yang D6/310
D869,863 S * 12/2019 Liu D6/310
D871,084 S * 12/2019 Pestl D6/309
D873,574 S * 1/2020 Wei D6/309
D874,161 S * 2/2020 Yang A45D 42/10
D6/309
D874,162 S * 2/2020 Greenwait D6/310
D878,776 S * 3/2020 Liu D6/309
D879,481 S * 3/2020 Yang F21V 21/30
D6/309
D885,769 S * 6/2020 Wang D6/309
D891,121 S * 7/2020 Zhao D6/308

D891,123 S * 7/2020 Li D6/310
D891,791 S * 8/2020 Zhu D6/309
D892,508 S * 8/2020 Yang D6/309
10,746,394 B2 * 8/2020 Yang A45D 42/10
D894,614 S * 9/2020 Chen A47G 1/02
D6/309
D894,615 S * 9/2020 Yang D6/309
D895,305 S * 9/2020 Yang D6/309
D897,694 S * 10/2020 Lin D6/309
D897,695 S * 10/2020 Yang D6/309
D898,383 S * 10/2020 Zhou D6/308
D898,386 S * 10/2020 Huang D6/309
D901,908 S * 11/2020 Zhao D6/309
10,869,537 B2 * 12/2020 Yang F21V 33/004
D909,770 S * 2/2021 Li D6/309
D919,310 S * 5/2021 Yang D6/310
D919,982 S * 5/2021 Yang D6/309
2006/0186314 A1 * 8/2006 Leung A45D 42/10
250/208.1
2010/0118520 A1 * 5/2010 Stern A45D 42/10
362/135
2013/0026512 A1 * 1/2013 Tsai A47G 1/02
257/91
2013/0077292 A1 * 3/2013 Zimmerman A45D 42/00
362/142
2013/0235610 A1 * 9/2013 Yang G02B 6/0096
362/555
2016/0142609 A1 * 5/2016 Rolston A45D 40/22
348/223.1

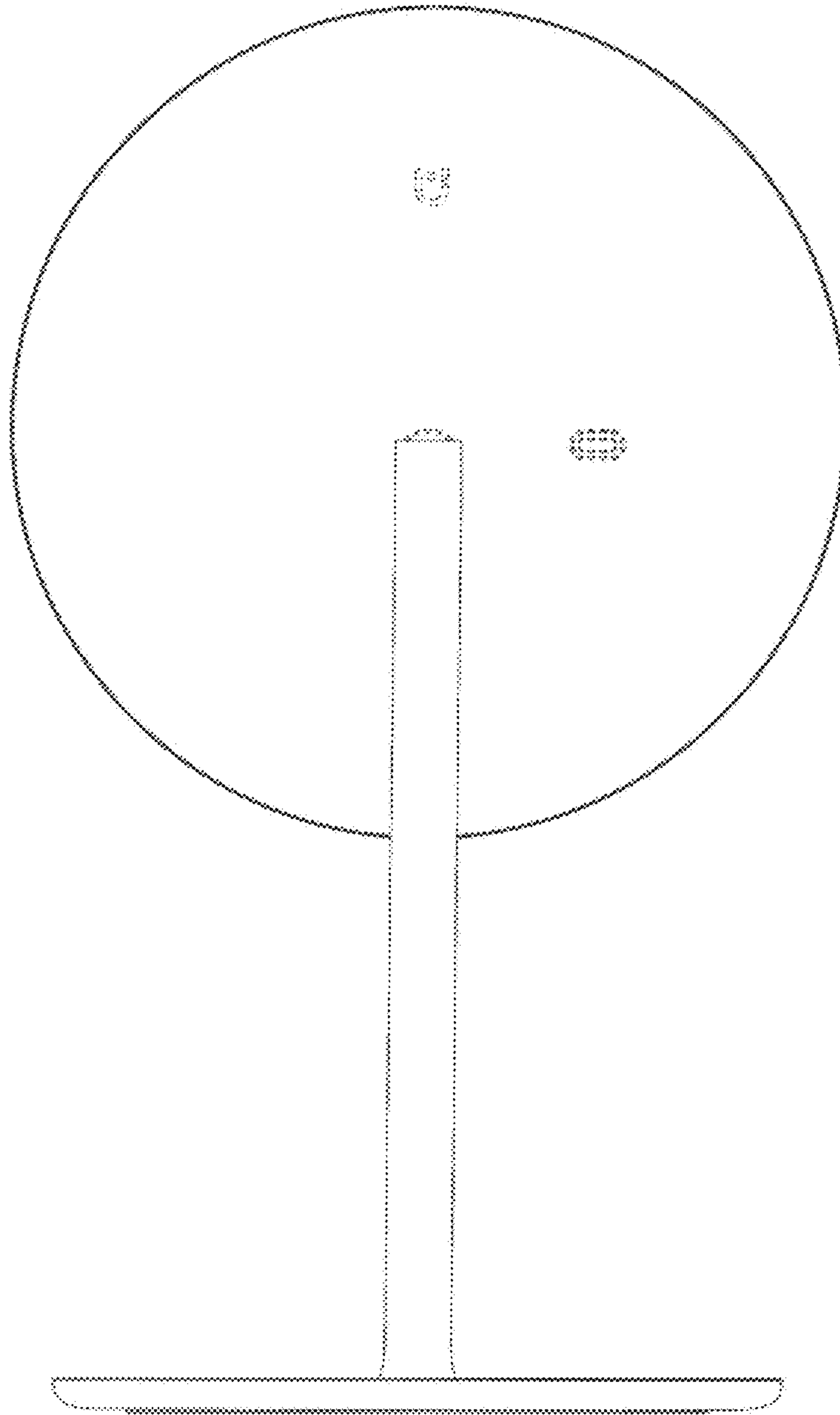
OTHER PUBLICATIONS

You N et al. "Comparison of Amiro and Xiaomi Led Makeup Mirror" dated Dec. 28, 2019, 6 pages. Via internet at <https://www.douban.com/group/topic/161927007/?type=collect>.

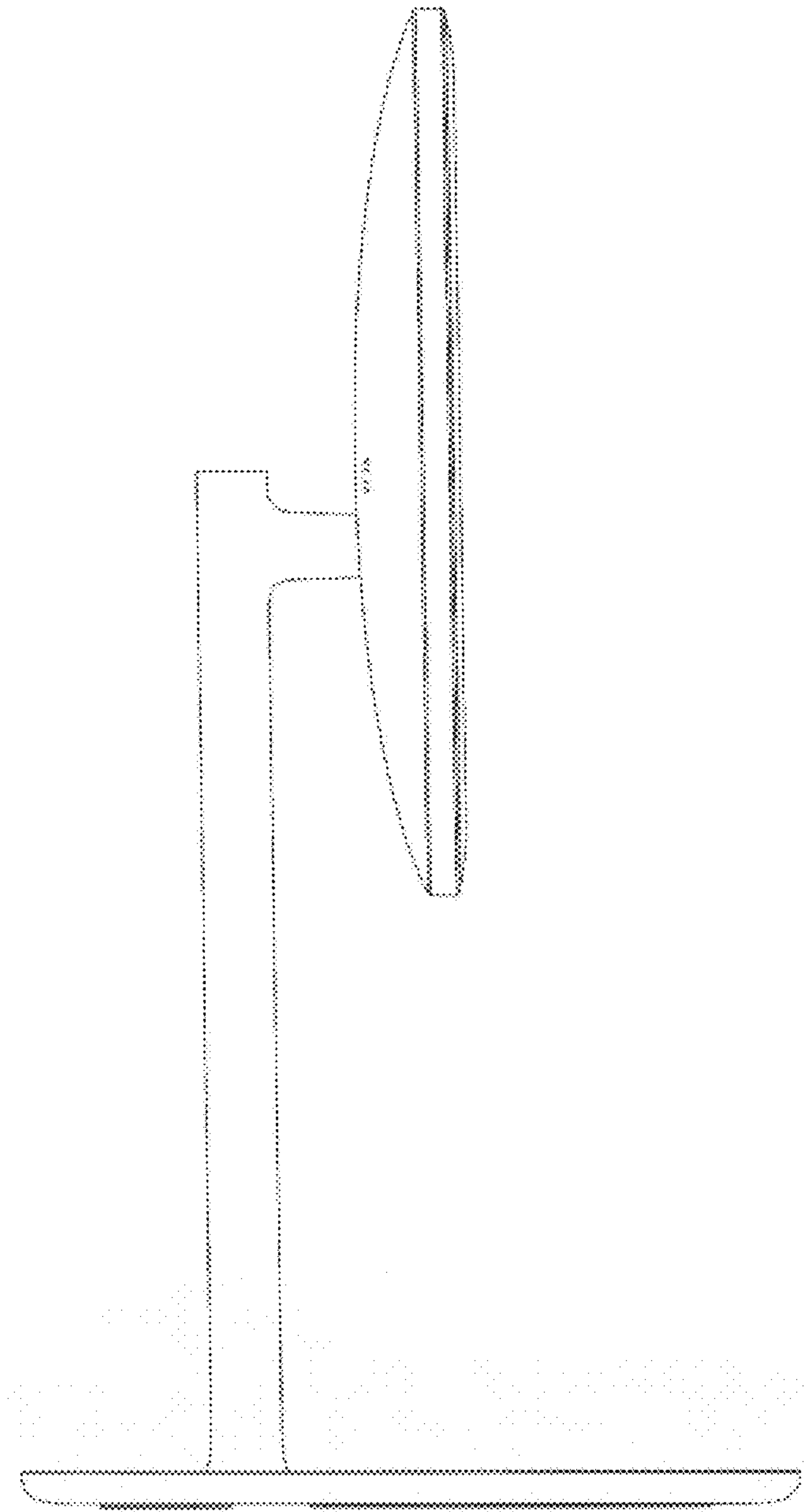
* cited by examiner



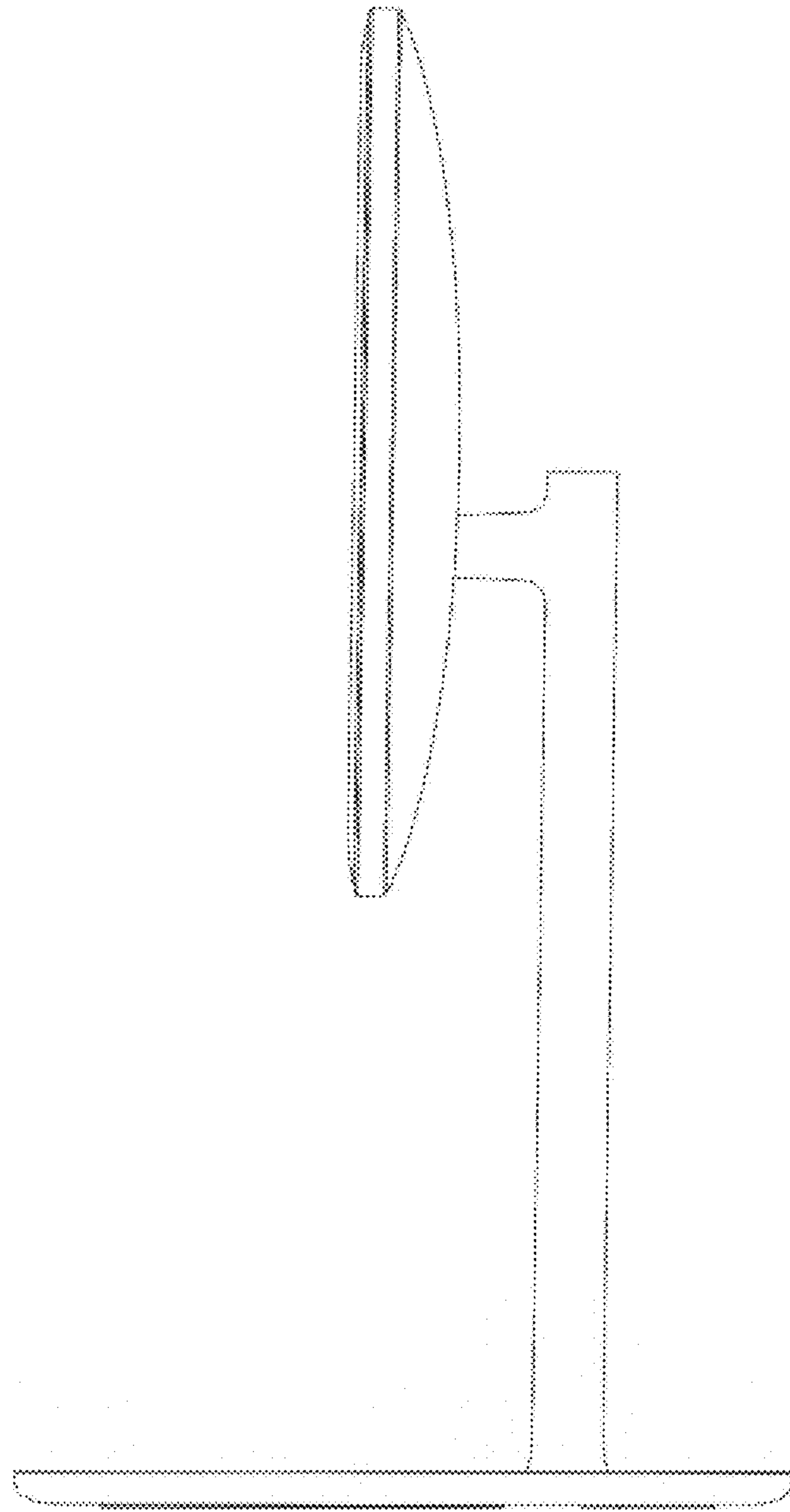
1.1



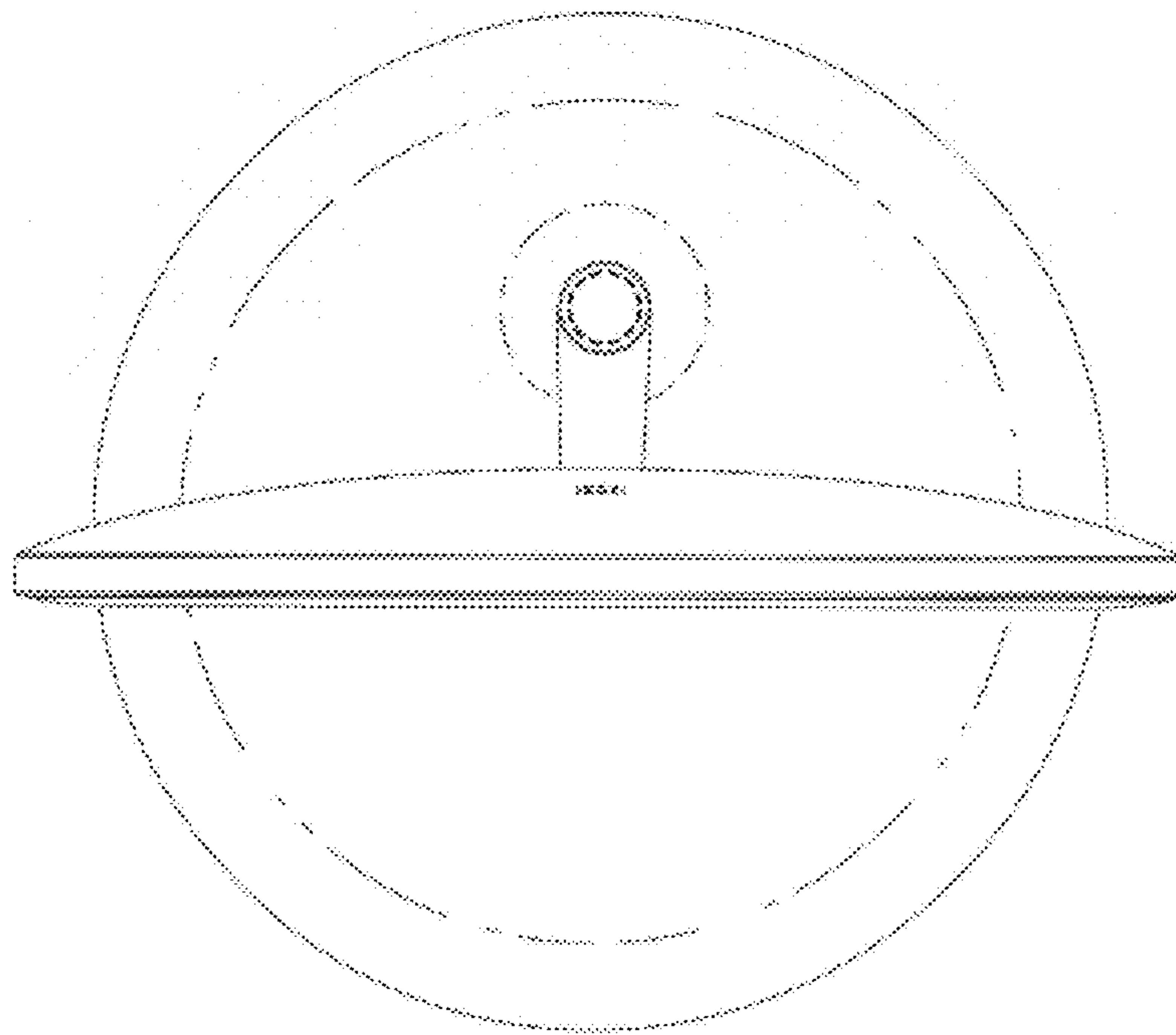
1.2



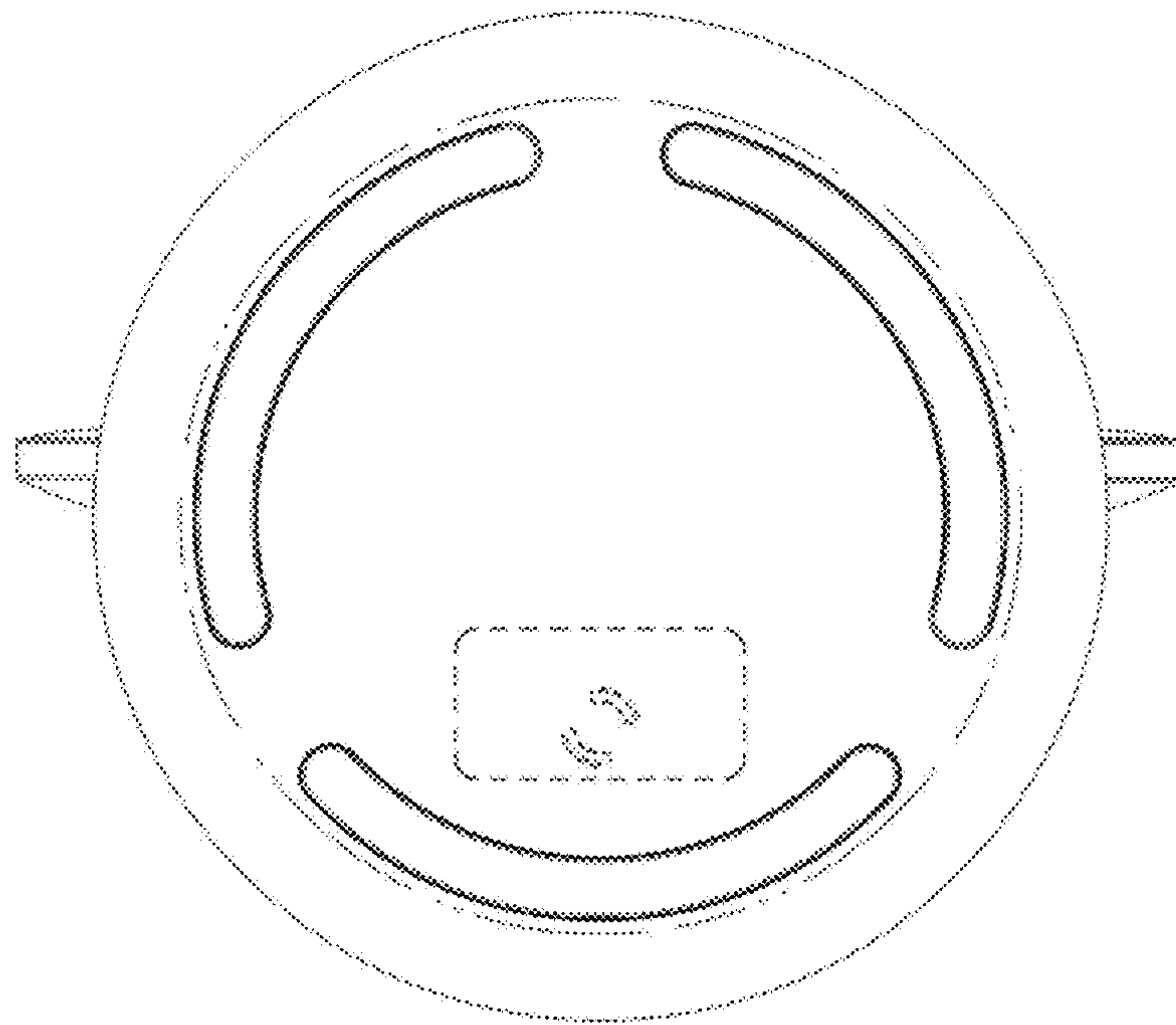
1.3



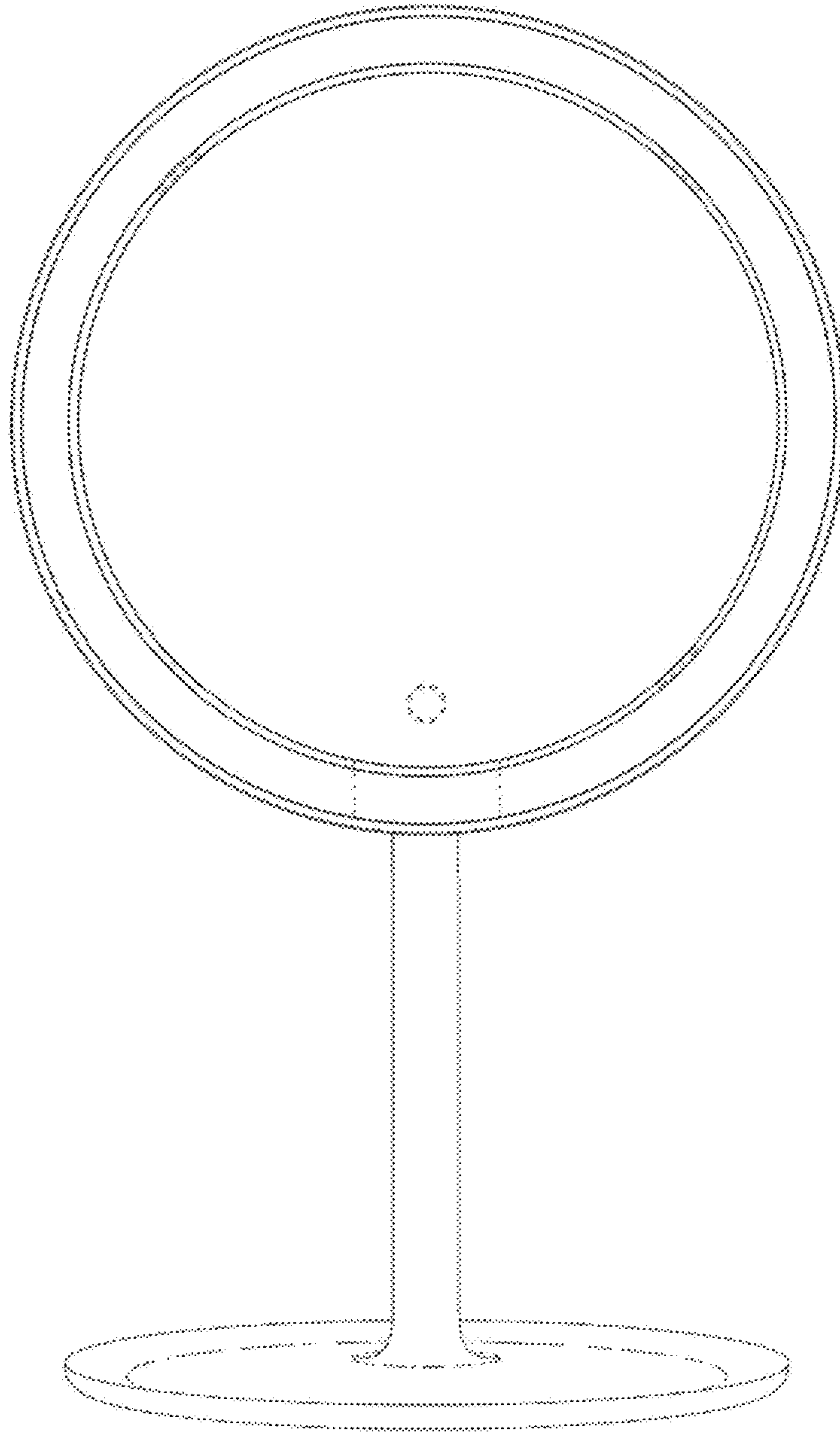
1.4



1.5



1.6



1.7