



US00D942154S

(12) **United States Design Patent** (10) **Patent No.:** **US D942,154 S**  
**Harrington** (45) **Date of Patent:** **\*\* \*Feb. 1, 2022**

- (54) **CARTRIDGE BRUSH**
- (71) Applicant: **Unger Marketing International, LLC**,  
Bridgeport, CT (US)
- (72) Inventor: **William Harrington**, Charlestown, RI  
(US)
- (73) Assignee: **UNGER MARKETING  
INTERNATIONAL, LLC**, Bridgeport,  
CT (US)
- (\*) Notice: This patent is subject to a terminal dis-  
claimer.
- (\*\*) Term: **15 Years**
- (21) Appl. No.: **29/761,768**
- (22) Filed: **Dec. 11, 2020**

**Related U.S. Application Data**

- (63) Continuation of application No. 29/730,385, filed on  
Apr. 3, 2020, now Pat. No. Des. 909,069, which is a  
continuation of application No. 29/657,583, filed on  
Jul. 24, 2018, now Pat. No. Des. 882,963.
- (51) **LOC (13) Cl.** ..... **04-02**
- (52) **U.S. Cl.**  
USPC ..... **D4/137**
- (58) **Field of Classification Search**  
USPC ..... D4/114, 115, 116, 117, 118, 119, 120,  
D4/121, 122, 123, 124, 125, 126, 127,  
D4/128, 129, 130, 131, 132, 133, 134,  
D4/135, 136, 137, 138, 199; D32/40, 51,  
D32/52; 16/DIG. 12, 19; D25/124;  
D8/80, 107; D23/209  
CPC ..... A46B 2200/30; A46B 2200/3033; A46B  
3/00; A46B 5/02; A46B 5/021; A46B  
9/02; A46B 5/0025; A46B 2200/1006;  
A47K 11/10; B25G 1/04  
See application file for complete search history.

- (56) **References Cited**  
  
U.S. PATENT DOCUMENTS  
  
1,694,636 A 12/1928 Barker  
2,140,706 A 12/1938 Latshaw  
D118,714 S 1/1940 Rude  
2,372,954 A 4/1945 Jester  
  
(Continued)

- FOREIGN PATENT DOCUMENTS  
  
DE 1986144 U 5/1968  
DE 1995617 U 10/1968  
  
(Continued)

*Primary Examiner* — Karen E Eldridge Powers  
(74) *Attorney, Agent, or Firm* — Cantor Colburn LLP

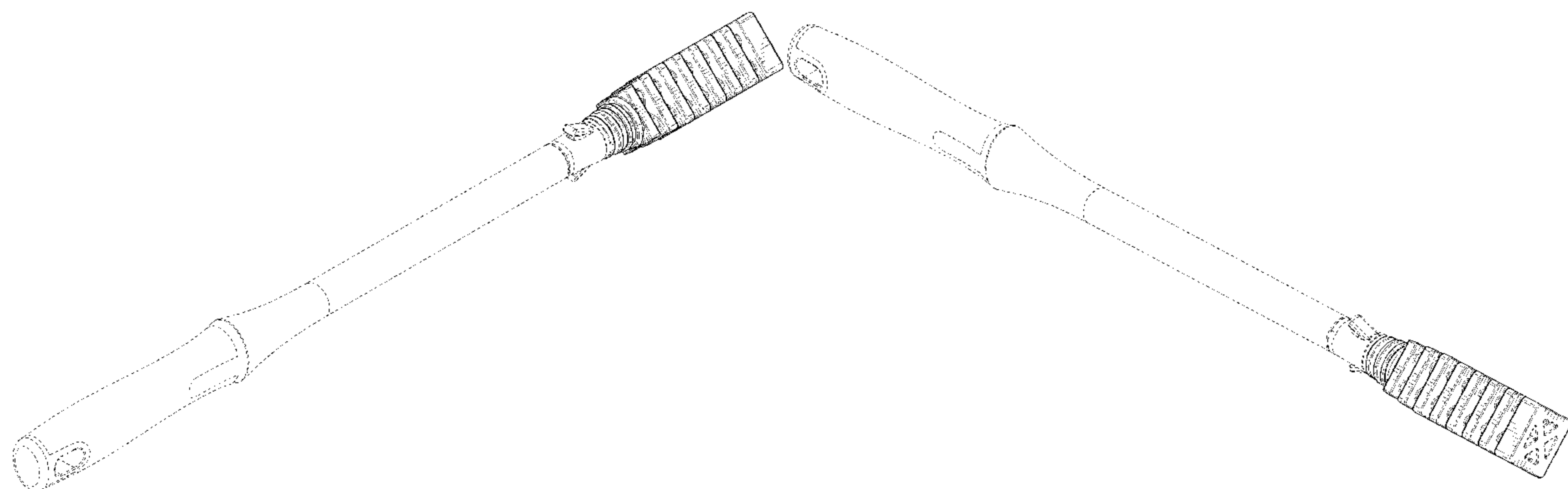
(57) **CLAIM**

The ornamental design for a cartridge brush, as shown and described.

**DESCRIPTION**

FIG. 1 is a first, bottom perspective view of a cartridge brush;  
 FIG. 2 is a second, bottom perspective view of the cartridge brush of FIG. 1;  
 FIG. 3 is a first, top perspective view of the cartridge brush of FIG. 1;  
 FIG. 4 is a second, top perspective view of the cartridge brush of FIG. 1;  
 FIG. 5 is an enlarged bottom view of the cartridge brush of FIG. 1;  
 FIG. 6 is an enlarged top view of the cartridge brush of FIG. 1;  
 FIG. 7 is a first side view of the cartridge brush of FIG. 1, the opposite side being identical thereto; and,  
 FIG. 8 is a second side view of the cartridge brush of FIG. 1, the opposite side being identical thereto.  
 The broken lines shown in FIGS. 1-8 are environmental structure and form no part of the claimed design.

**1 Claim, 7 Drawing Sheets**



(56)

References Cited

U.S. PATENT DOCUMENTS

D167,432 S 8/1952 Turner  
 2,637,537 A \* 5/1953 Ernst ..... A47J 43/0711  
 416/185  
 2,707,300 A 5/1955 Louis  
 D186,902 S \* 12/1959 Fried ..... D7/683  
 3,058,139 A 10/1962 Eva  
 3,332,103 A 7/1967 Hayes  
 3,411,723 A \* 11/1968 Kohn ..... B01L 3/18  
 241/168  
 D258,486 S 3/1981 Wallace et al.  
 4,328,604 A 5/1982 Adams  
 D274,565 S 7/1984 Smith et al.  
 4,520,526 A 6/1985 Peters  
 D281,991 S 12/1985 Solheim  
 D296,271 S 6/1988 Kobayashi  
 4,829,621 A 5/1989 Phenegar  
 5,158,532 A 10/1992 Peng et al.  
 5,231,322 A 7/1993 Richards et al.  
 5,315,732 A 5/1994 Huefner et al.  
 D363,340 S 10/1995 Varga  
 5,491,863 A 2/1996 Dunn  
 5,598,596 A 2/1997 Jones et al.  
 D385,946 S 11/1997 Harrison et al.  
 5,709,003 A 1/1998 Batch  
 D404,114 S 1/1999 Denkwicz et al.  
 5,878,459 A 3/1999 McParland  
 5,967,152 A 10/1999 Rimkus  
 6,015,293 A 1/2000 Rimkus  
 D423,790 S 5/2000 Solberg  
 6,132,126 A 10/2000 Sheffler et al.  
 6,134,738 A 10/2000 Weber et al.  
 6,154,913 A 12/2000 Burton  
 6,192,525 B1 2/2001 Tash  
 6,237,182 B1 5/2001 Cassar  
 D449,451 S 10/2001 Petner  
 D469,259 S 1/2003 Vosbikian  
 6,530,707 B1 3/2003 Byrne et al.  
 6,546,588 B1 4/2003 Black  
 D479,024 S 8/2003 Libman  
 6,948,209 B2 9/2005 Chan  
 7,017,222 B2 3/2006 Dunn  
 D518,949 S 4/2006 Wang  
 D542,493 S 5/2007 Berti  
 7,213,292 B1 5/2007 Tucker  
 7,334,286 B2 2/2008 Kayser  
 7,344,327 B2 3/2008 Gueret  
 7,356,869 B2 4/2008 Knopow et al.  
 7,784,141 B2 8/2010 Knopow et al.  
 D649,287 S 11/2011 Cho

8,046,865 B2 11/2011 Knopow et al.  
 8,123,712 B2 2/2012 Julius  
 8,136,196 B2 3/2012 Dingert  
 D659,195 S 5/2012 Boltz et al.  
 D663,530 S 7/2012 Duwa  
 8,763,193 B1 7/2014 Thompson et al.  
 D726,196 S 4/2015 Van Os  
 D730,060 S 5/2015 Renette  
 9,066,583 B2 6/2015 Kayser  
 9,167,882 B2 10/2015 Stefanson et al.  
 D745,299 S 12/2015 Chang  
 D749,919 S \* 2/2016 Cianciolo ..... D7/688  
 9,297,170 B1 \* 3/2016 Jones ..... E04F 21/1655  
 D757,443 S 5/2016 Waitesmith  
 9,339,104 B2 5/2016 O'Neill  
 9,341,364 B2 5/2016 Dennis  
 D773,799 S 12/2016 Haythornthwaite  
 D789,074 S 6/2017 Haythornthwaite  
 D796,440 S 9/2017 Gzybowski  
 D804,770 S \* 12/2017 Zoubovsky ..... D1/106  
 D830,553 S 10/2018 Wall  
 D835,916 S 12/2018 Macca et al.  
 D840,207 S 2/2019 Sun et al.  
 D851,408 S \* 6/2019 Harrington ..... D4/136  
 D852,510 S 7/2019 Harrington et al.  
 D869,915 S \* 12/2019 Seeuwen ..... D7/669  
 D882,963 S \* 5/2020 Harrington ..... D4/137  
 D909,069 S \* 2/2021 Harrington ..... D4/137  
 11,006,738 B2 \* 5/2021 Harrington ..... A46B 5/0016  
 2001/0047556 A1 12/2001 Weihrauch  
 2004/0143923 A1 7/2004 Bensussan et al.  
 2004/0177863 A1 9/2004 McKay  
 2005/0158116 A1 7/2005 Belansky et al.  
 2006/0070198 A1 4/2006 Deroma  
 2008/0028555 A1 2/2008 Petner et al.  
 2010/0115722 A1 5/2010 Malloy  
 2011/0225756 A1 9/2011 Chapman et al.  
 2012/0183344 A1 7/2012 Habinger  
 2014/0099154 A1 4/2014 O'Neill  
 2014/0137352 A1 5/2014 Golla  
 2016/0029859 A1 2/2016 Harrington  
 2017/0119125 A1 5/2017 Davis  
 2018/0206693 A1 7/2018 Harrington et al.  
 2018/0221924 A1 \* 8/2018 Harrington ..... B08B 9/0436

FOREIGN PATENT DOCUMENTS

DE 4435888 A1 4/1996  
 DE 202013005066 U1 8/2013  
 WO 2013063568 A1 5/2013

\* cited by examiner

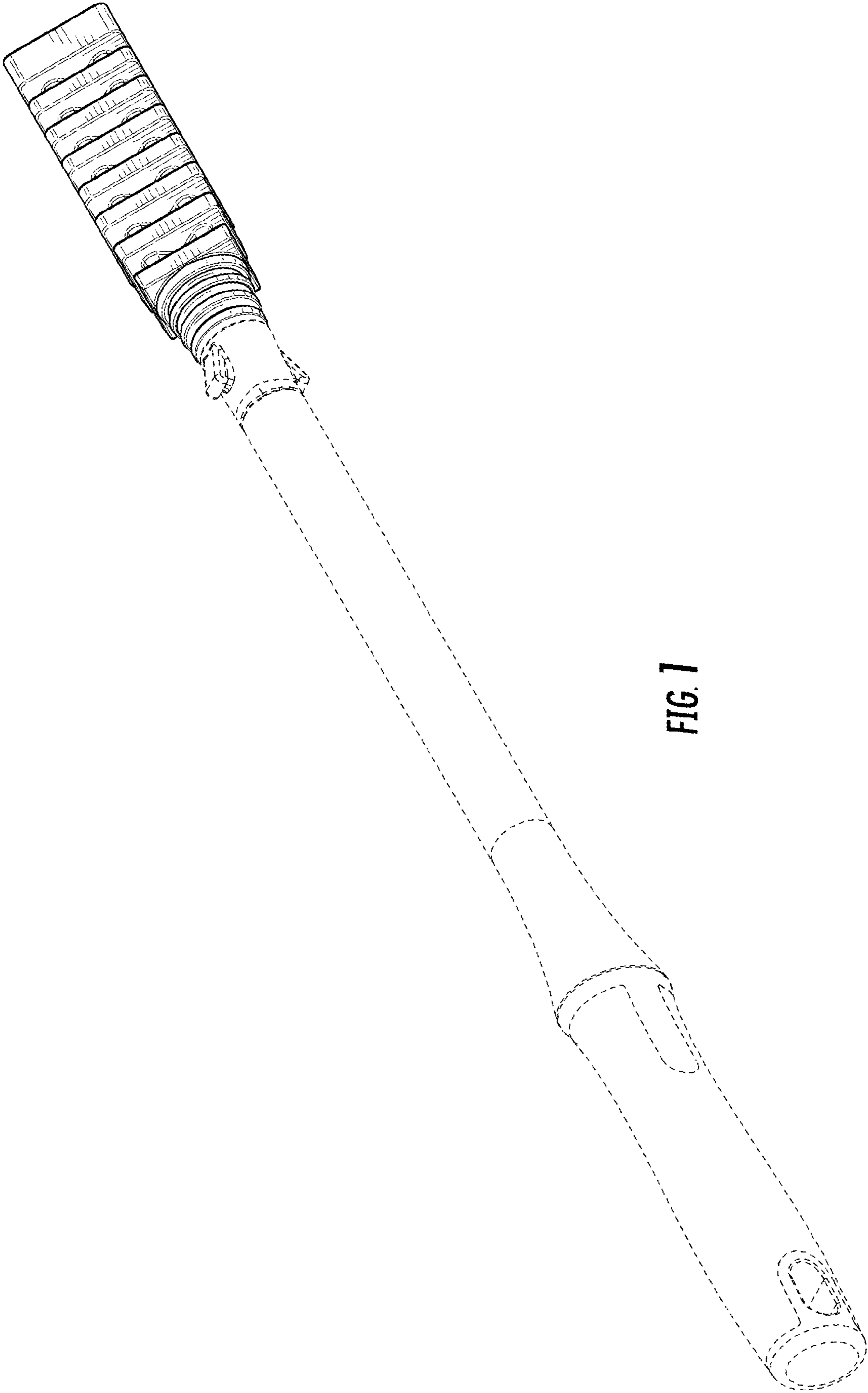


FIG. 1

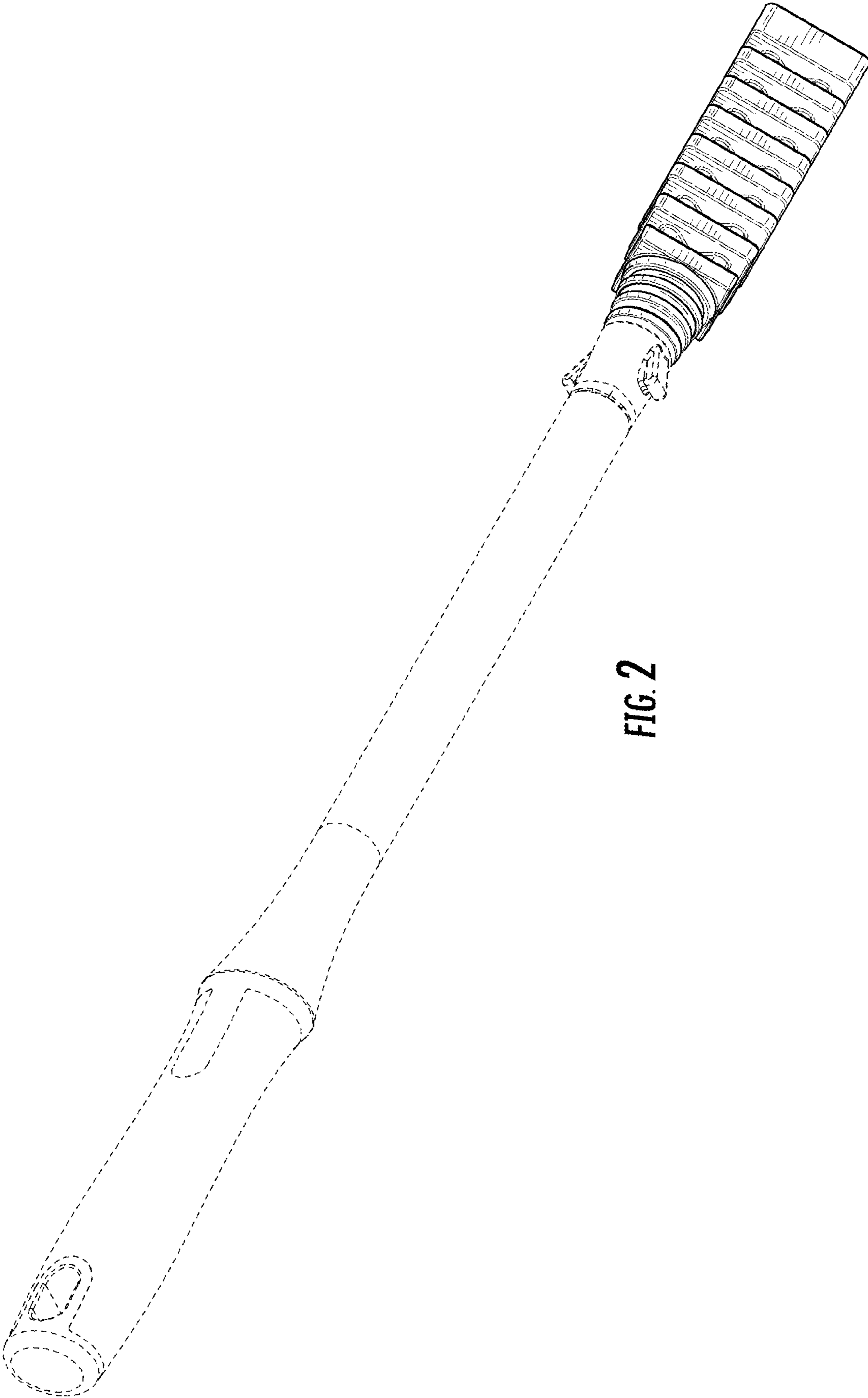
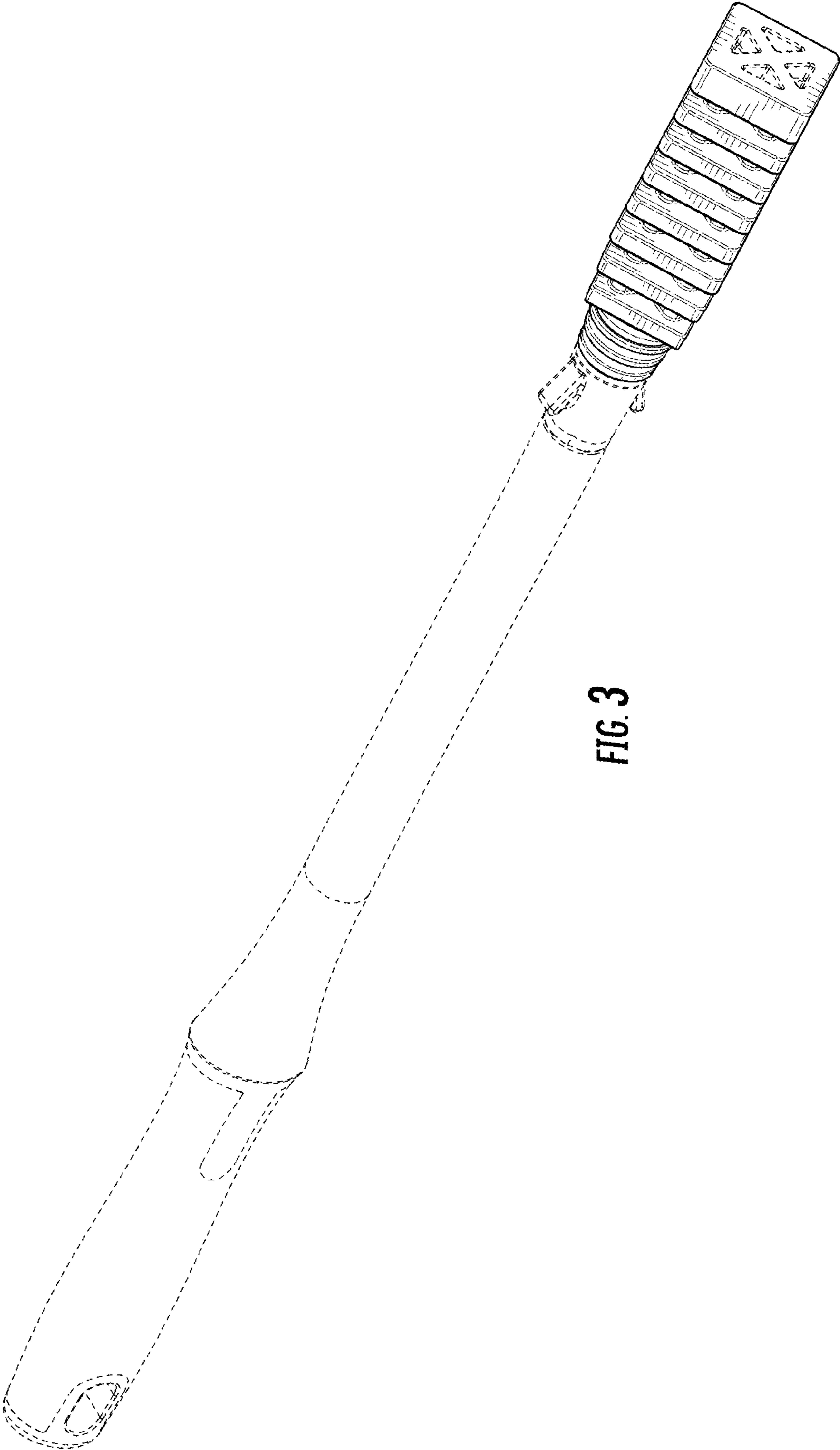


FIG. 2



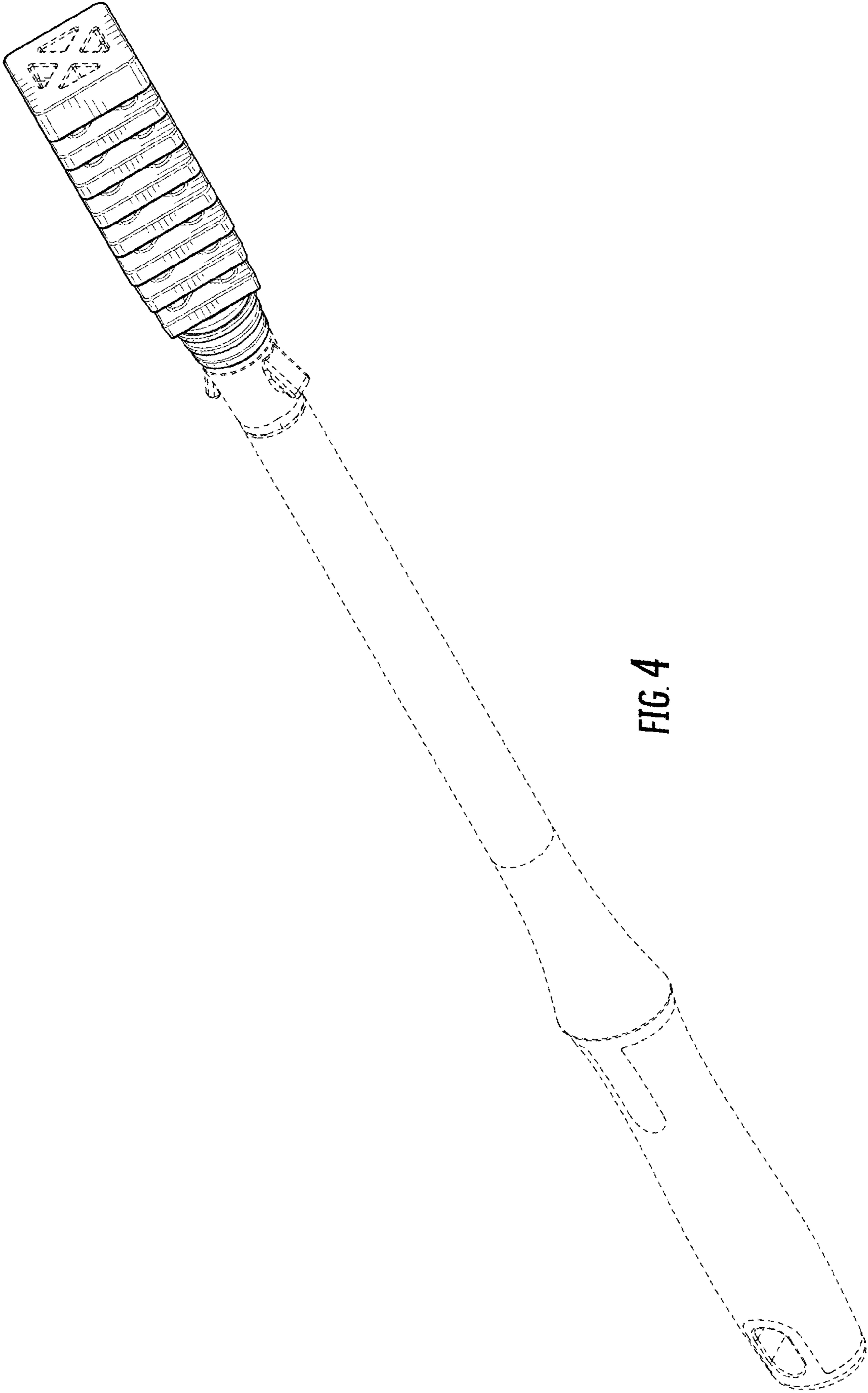
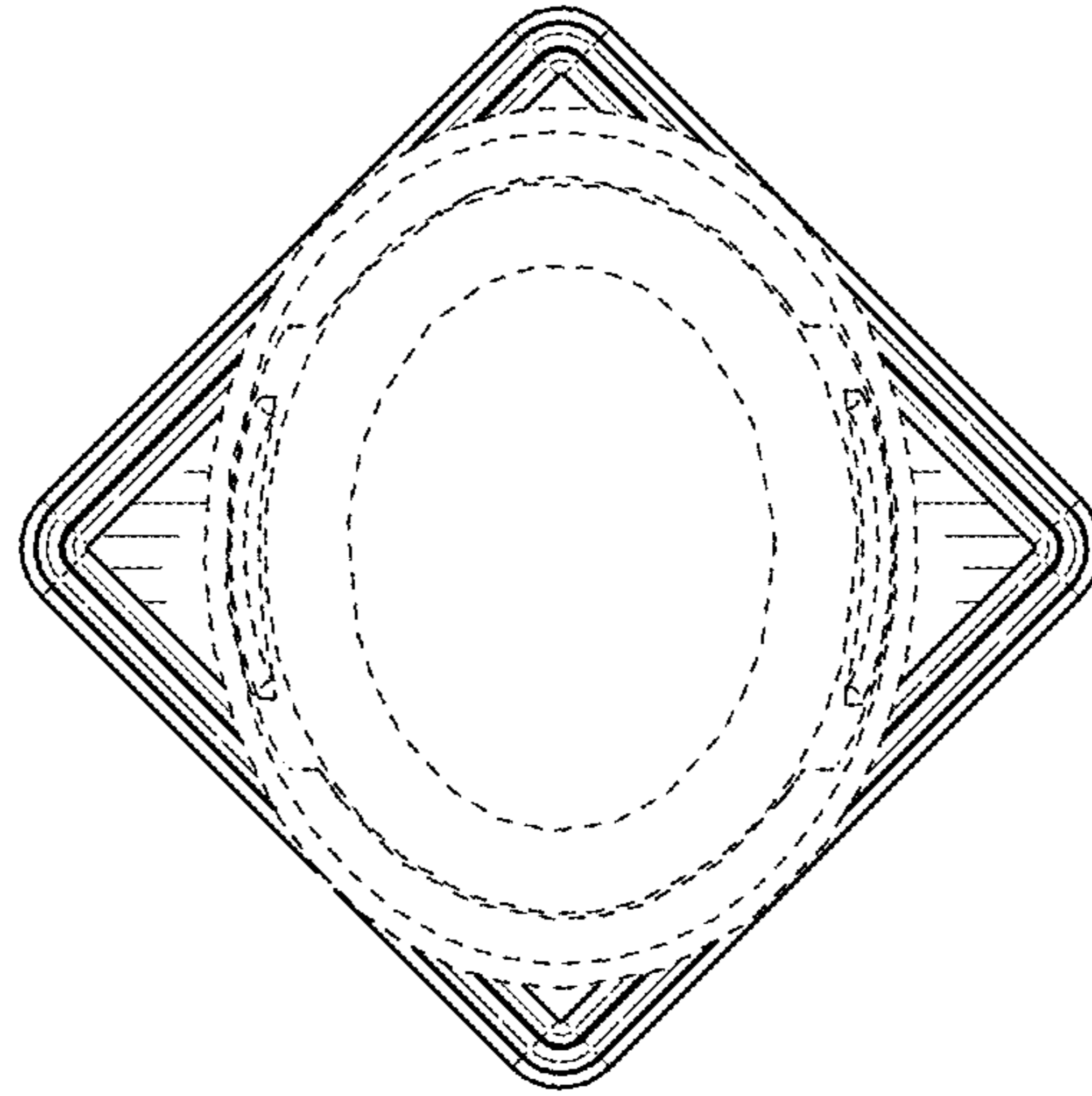
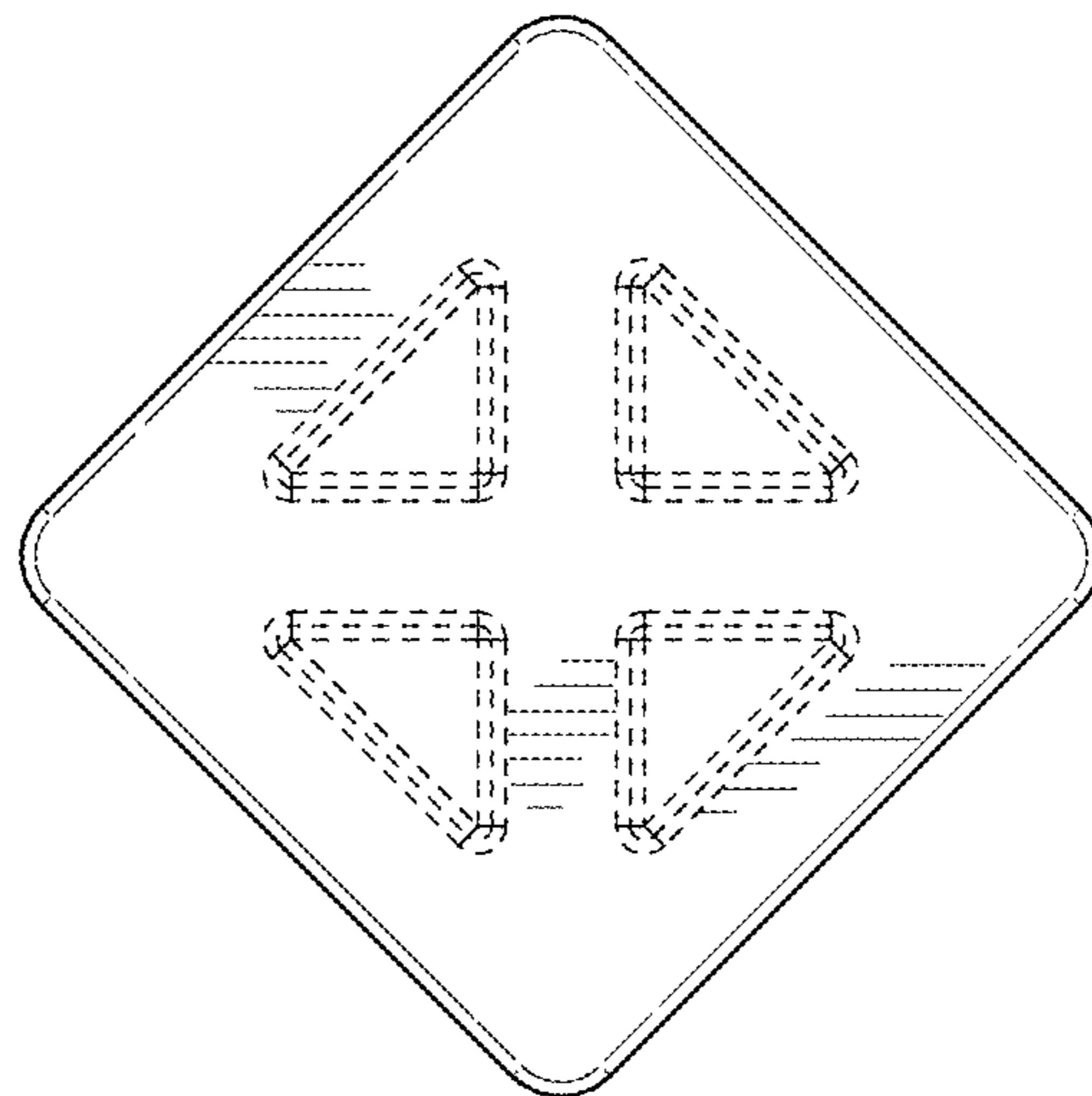


FIG. 4



**FIG. 5**



**FIG. 6**

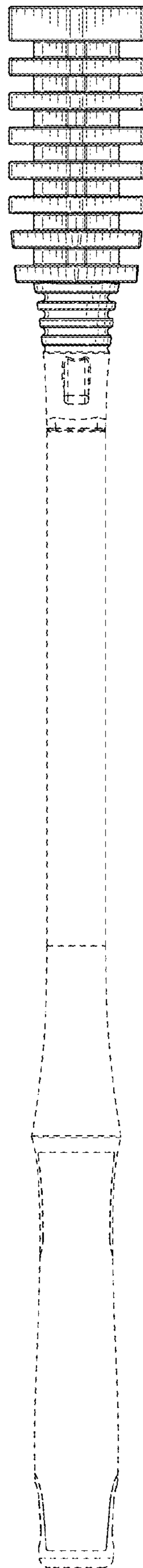


FIG. 7



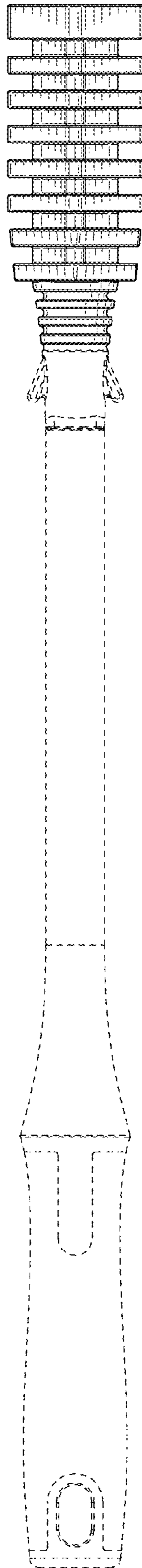


FIG. 8