



US00D942151S

(12) **United States Design Patent** (10) **Patent No.:** **US D942,151 S**  
**Hebert** (45) **Date of Patent:** **\*\* Feb. 1, 2022**

(54) **DETANGLING BRUSH**

OTHER PUBLICATIONS

- (71) Applicant: **Mitch & Hebert, LLC.**, North Las Vegas, NV (US)
- (72) Inventor: **Tamela Hebert**, North Las Vegas, NV (US)
- (73) Assignee: **Mitch & Hebert, LLC**, North Las Vegas, NV (US)
- (\*\*) Term: **15 Years**
- (21) Appl. No.: **29/712,505**
- (22) Filed: **Nov. 8, 2019**
- (51) **LOC (13) Cl.** ..... **04-01**
- (52) **U.S. Cl.**  
USPC ..... **D4/119**
- (58) **Field of Classification Search**  
USPC ..... D4/114–137  
CPC ..... A46B 2200/104; A46B 5/002; A46B 5/02;  
A46B 5/04  
See application file for complete search history.

Tamebella Brush, announced Nov. 26, 2019 [online], [site visited Jun. 29, 2021]. Available from internet, URL: <https://www.tamebella.com/> (Year: 2019).\*

\* cited by examiner

*Primary Examiner* — George A Bugg  
*Assistant Examiner* — Tamara L Hahn  
(74) *Attorney, Agent, or Firm* — Eric Karich; Karich & Associates

(57) **CLAIM**

The ornamental design for a detangling brush, as shown and described.

**DESCRIPTION**

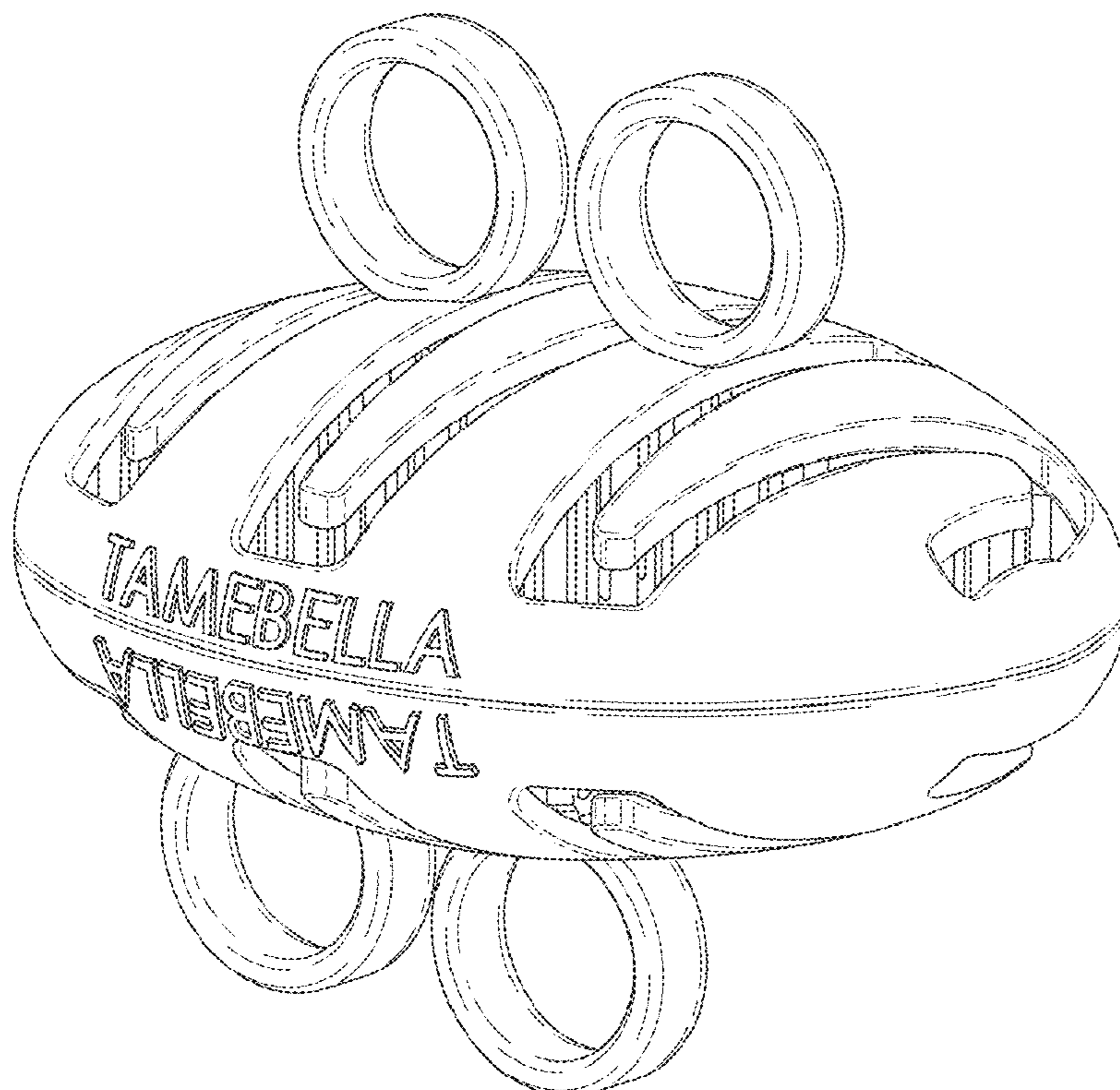
FIG. 1 is a perspective view of a detangling brush, showing my new design in a closed configuration;  
FIG. 2 is a perspective view of the detangling brush, showing my new design in an open configuration;  
FIG. 3 is a rear elevational view of the detangling brush, in a closed configuration;  
FIG. 4 is a front elevational view thereof;  
FIG. 5 is a left side elevational view thereof  
FIG. 6 is a right side elevational view thereof;  
FIG. 7 is a bottom plan view thereof; and,  
FIG. 8 is a top plan view thereof.

(56) **References Cited**

U.S. PATENT DOCUMENTS

D505,550 S *	5/2005	Akashi	.....	D4/121
D749,326 S *	2/2016	Rennette	.....	D4/121
D866,982 S *	11/2019	Rosenzweig	.....	D4/116
D909,067 S *	2/2021	Robbins	.....	D4/121
2006/0249169 A1 *	11/2006	Lee	.....	A46B 15/0055 132/102
2021/0007473 A1 *	1/2021	Hebert	.....	A46B 9/026

**1 Claim, 4 Drawing Sheets**



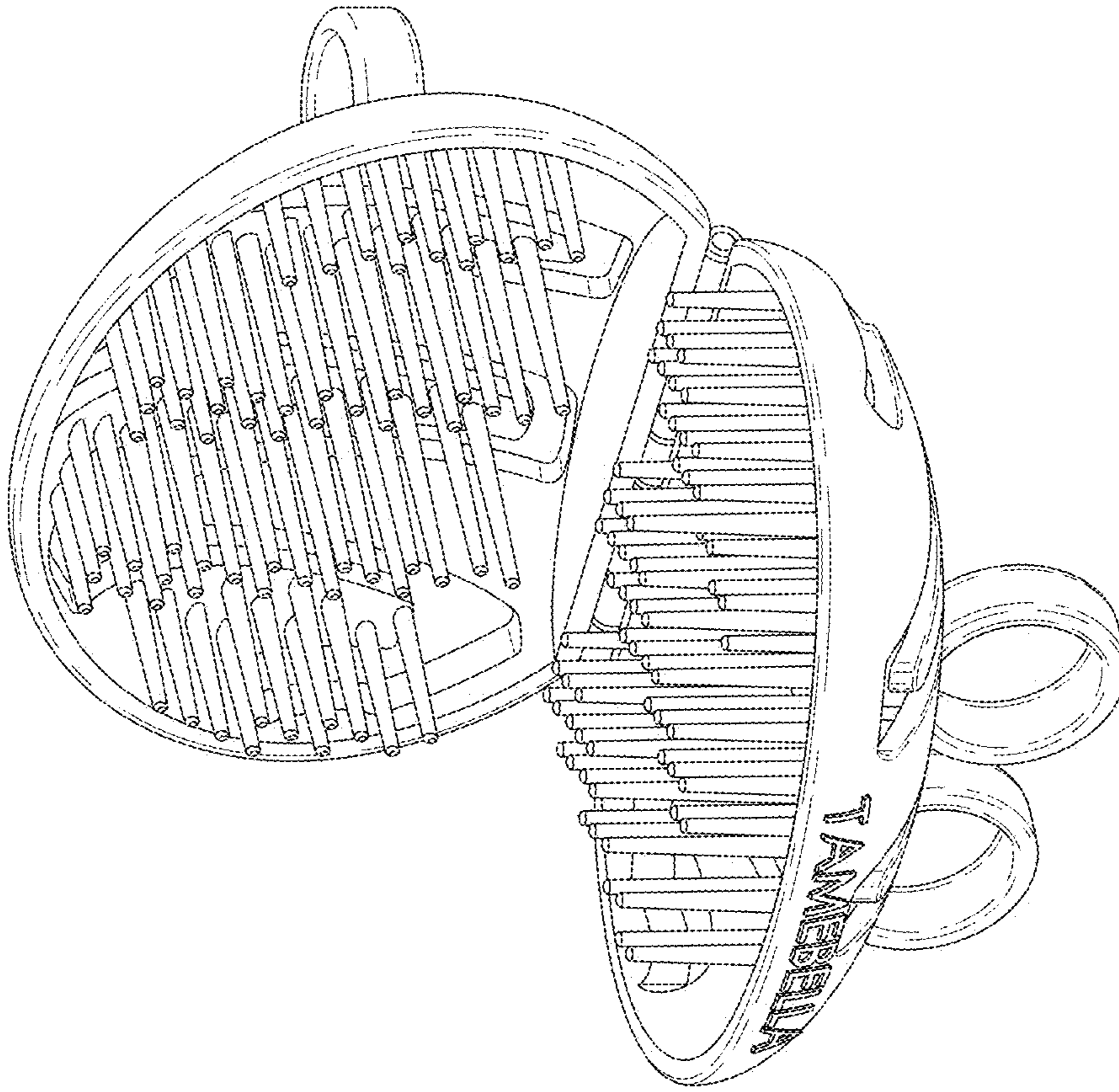


FIG. 1

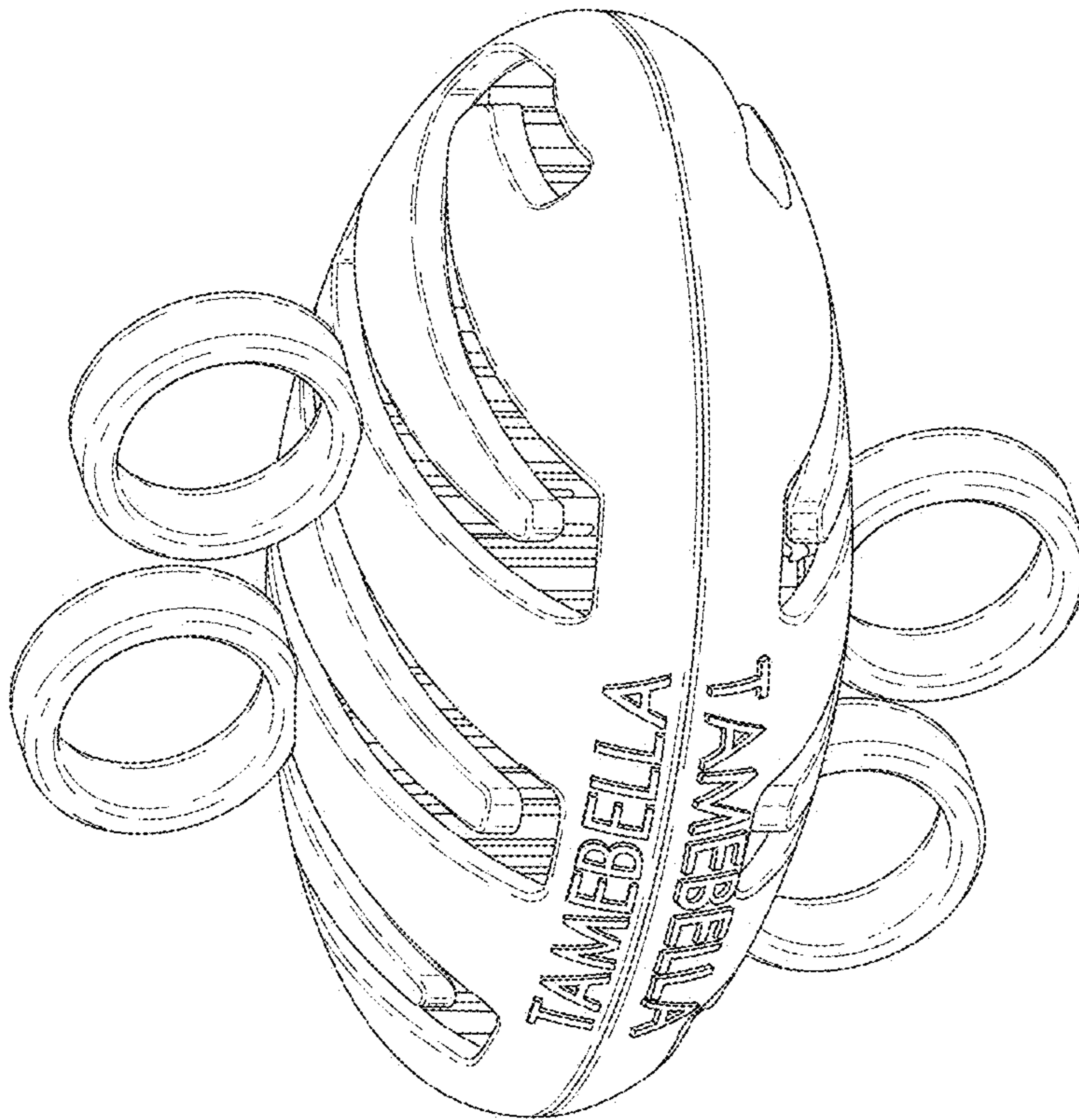


FIG. 2



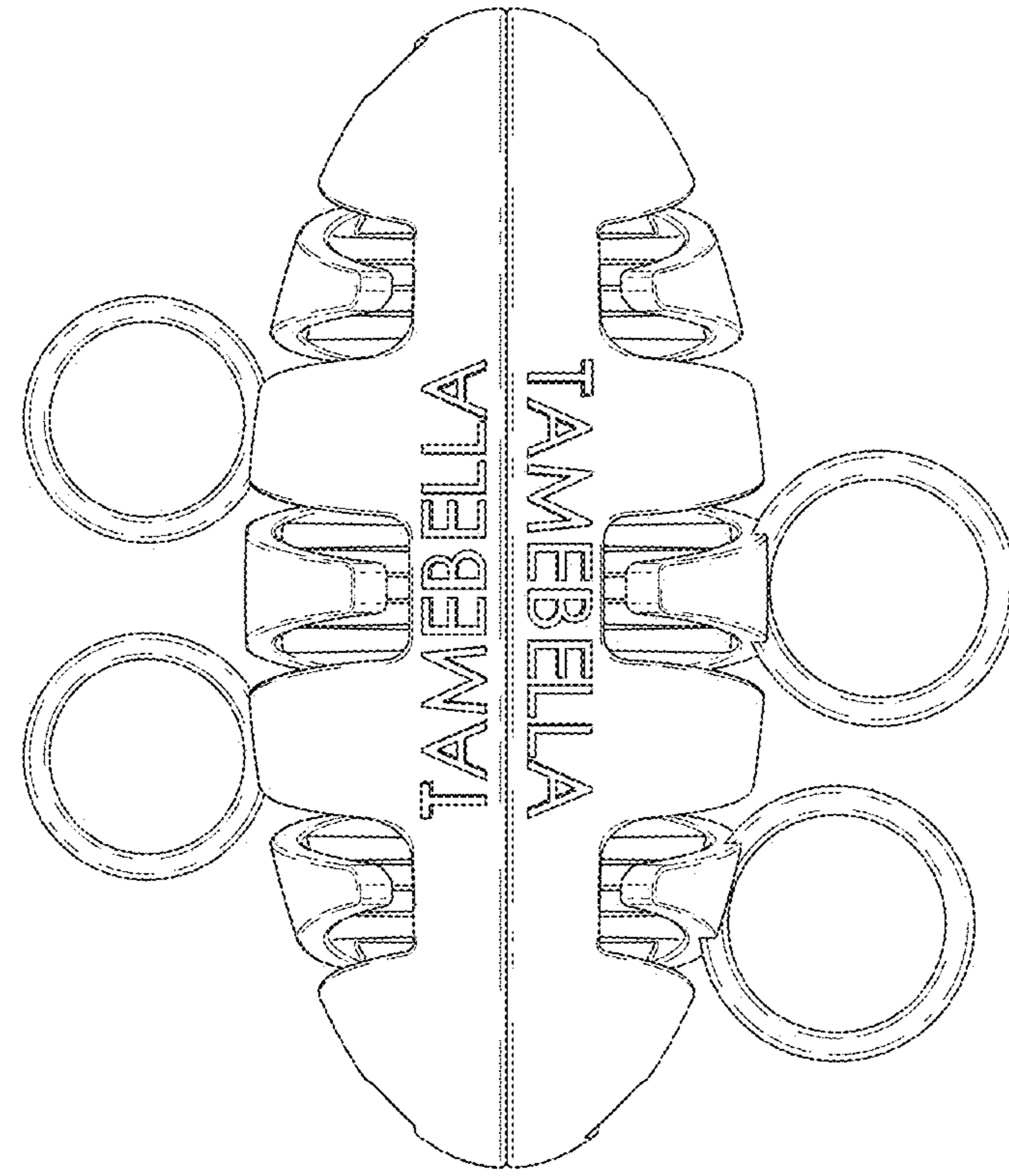


FIG. 3

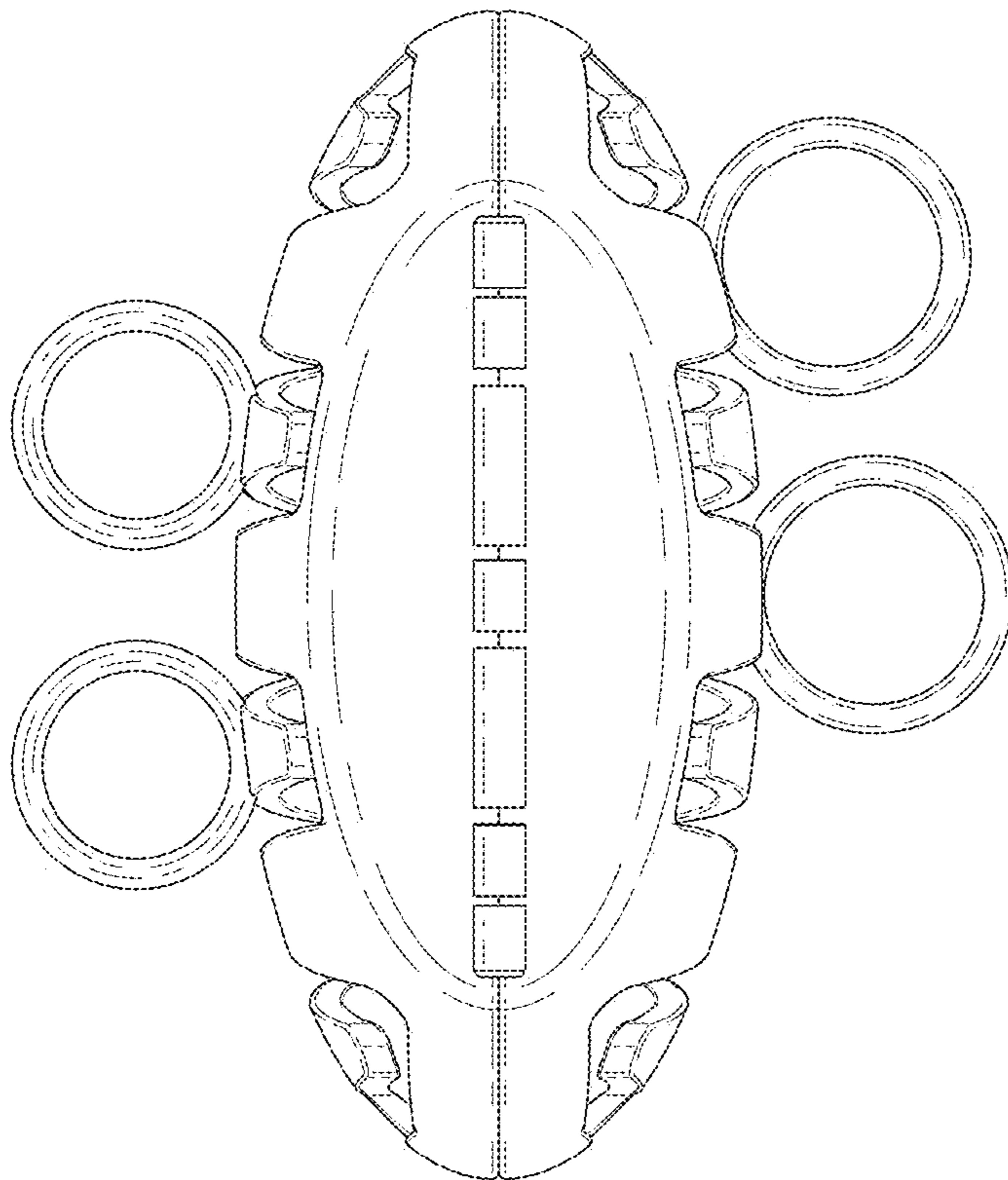


FIG. 4

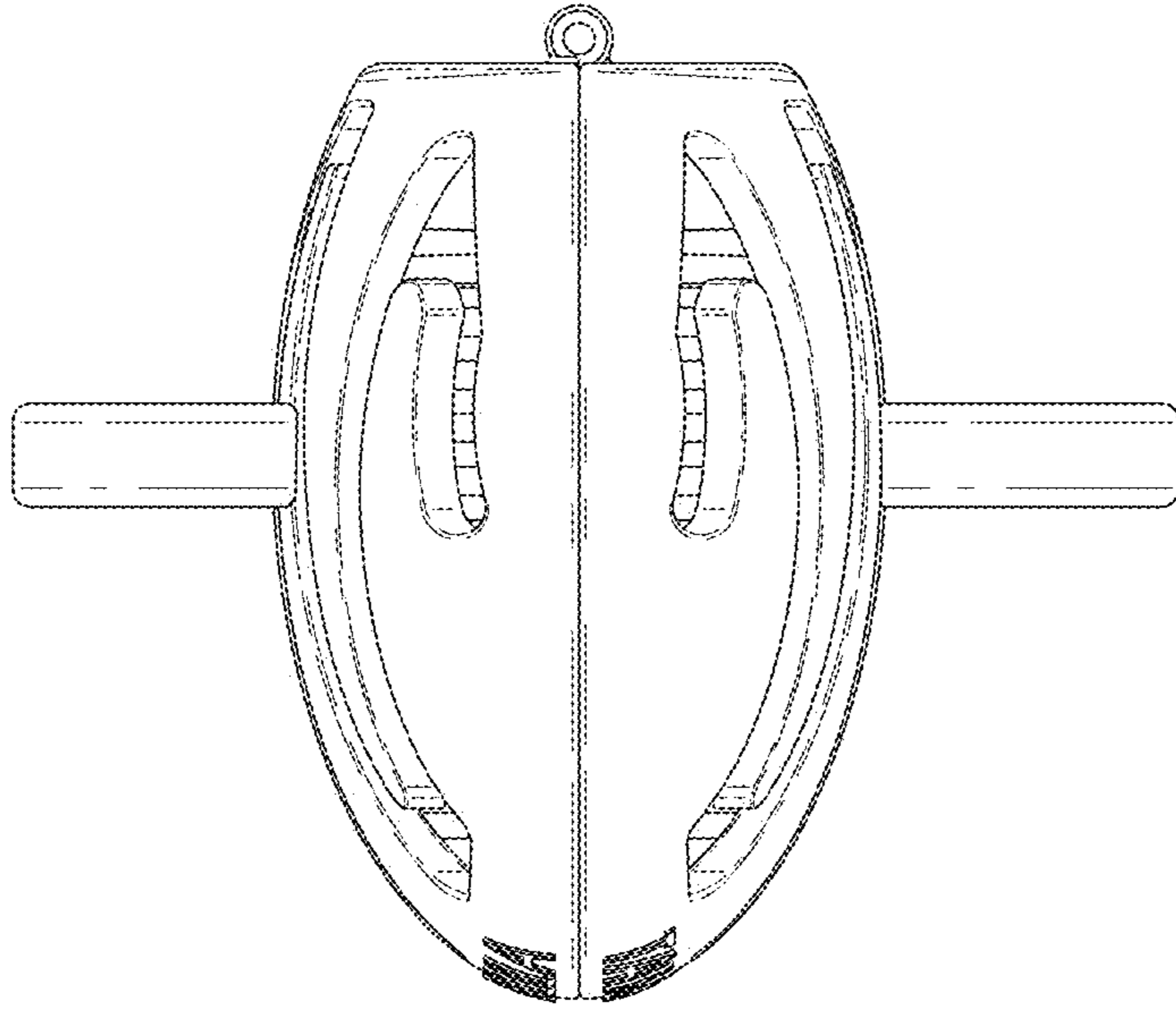


FIG. 6

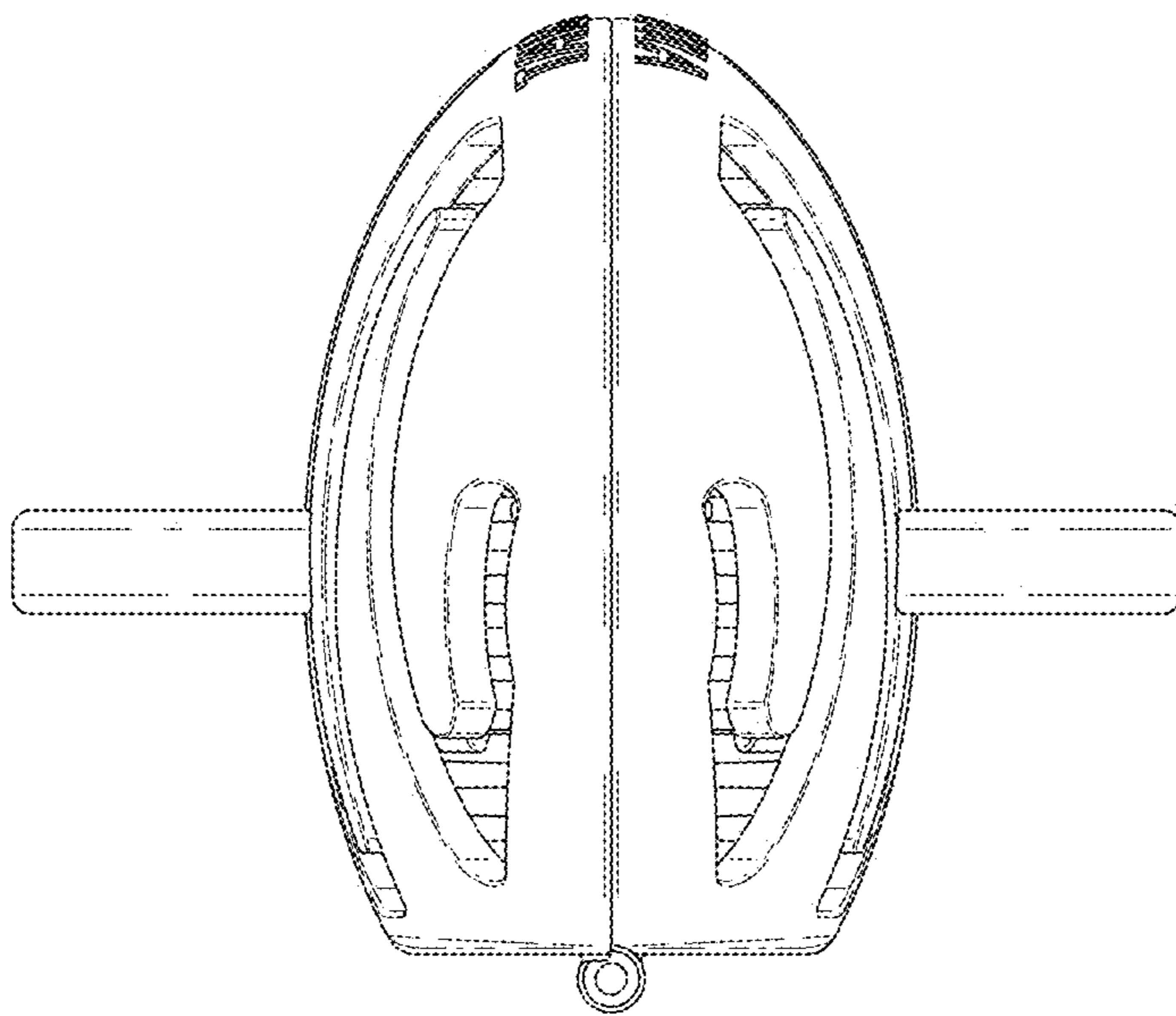


FIG. 5

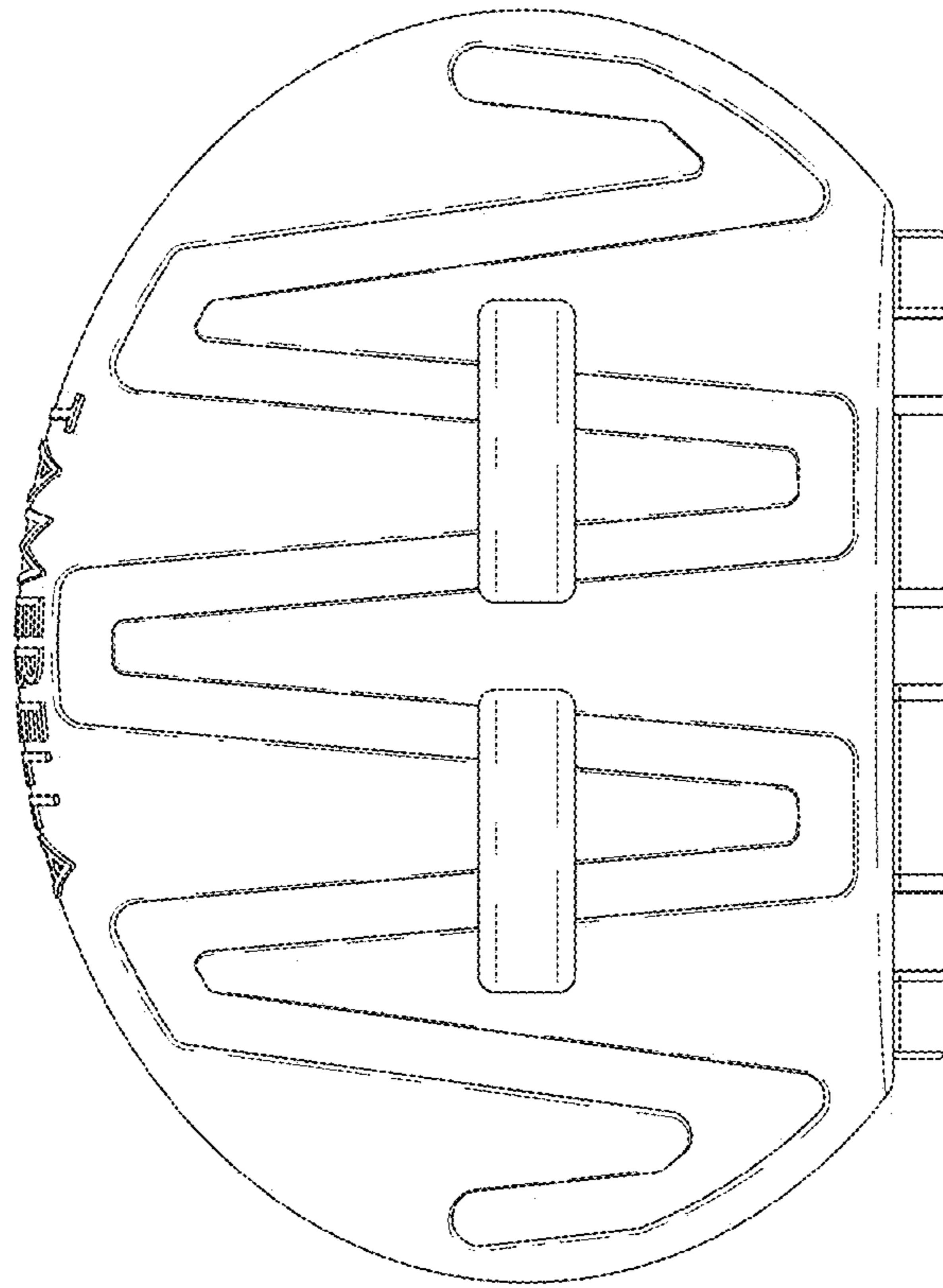


FIG. 8

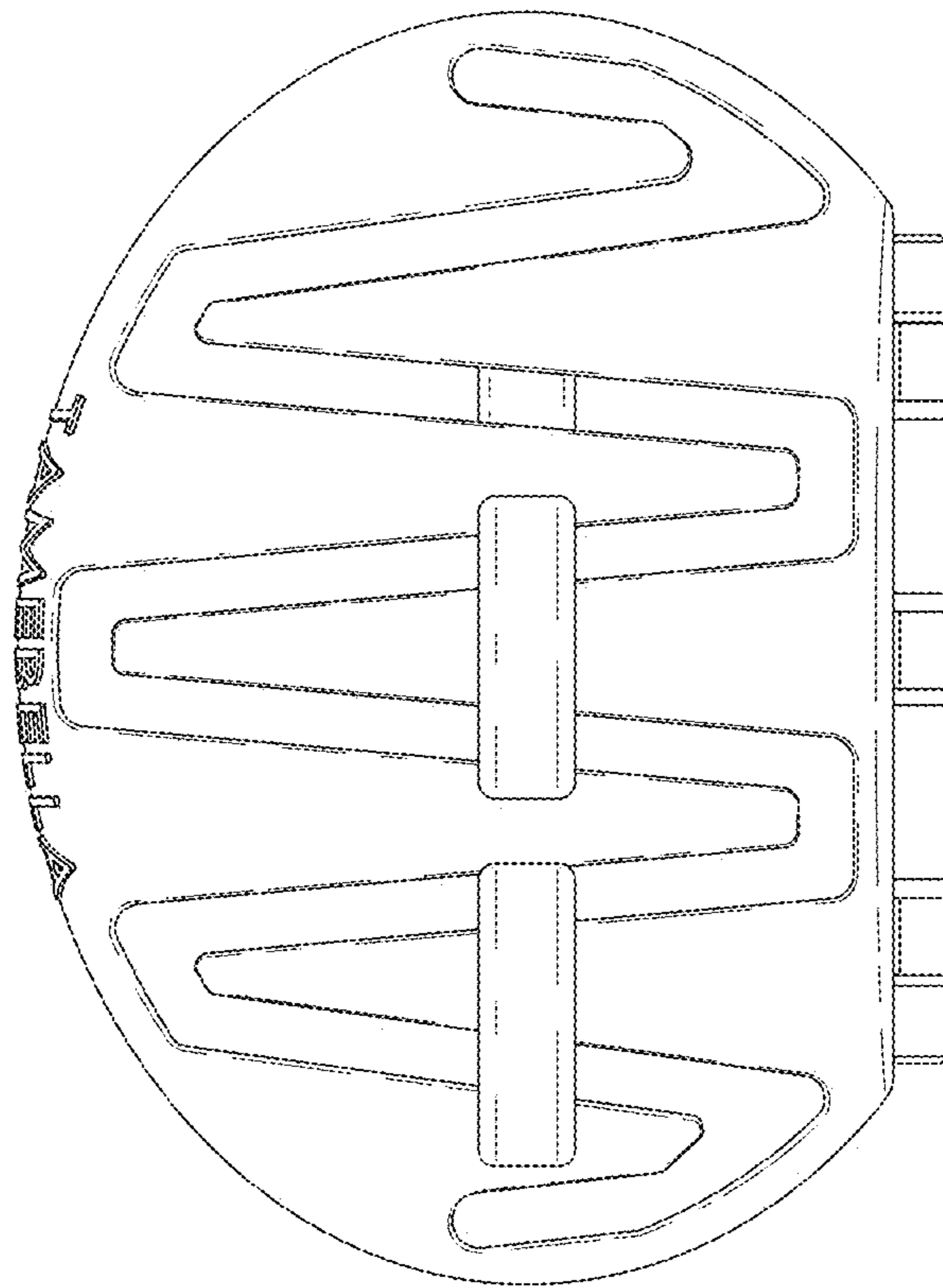


FIG. 7