



US00D942150S

(12) **United States Design Patent**
Bennett

(10) **Patent No.:** **US D942,150 S**
(45) **Date of Patent:** **** Feb. 1, 2022**

(54) **ICE SCRAPER WITH SNOW BROOM**

(71) Applicant: **HOPKINS MANUFACTURING CORPORATION**, Emporia, KS (US)
(72) Inventor: **Kyle M. Bennett**, Emporia, KS (US)
(73) Assignee: **Hopkins Manufacturing Corporation**, Emporia, KS (US)

(**) Term: **15 Years**
(21) Appl. No.: **29/734,698**
(22) Filed: **May 14, 2020**

(51) **LOC (13) Cl.** **04-99**
(52) **U.S. Cl.**
USPC **D4/118**
(58) **Field of Classification Search**
USPC D4/114–137; D32/40–46, 49, 51, 52
(Continued)

(56) **References Cited**

U.S. PATENT DOCUMENTS

D441,198 S * 5/2001 Primeau D32/42
D484,655 S * 12/2003 Anderson D32/42
(Continued)

OTHER PUBLICATIONS

Superio Brush, announced 2021 [online], [site visited Jul. 14, 2021]. Available from internet, URL: <https://www.superiobrand.com/products/extendable-snow-brush-with-ice-scraper-and-squeegee> (Year: 2021).*

(Continued)

Primary Examiner — George A Bugg
Assistant Examiner — Tamara L Hahn
(74) *Attorney, Agent, or Firm* — Hovey Williams LLP

(57) **CLAIM**

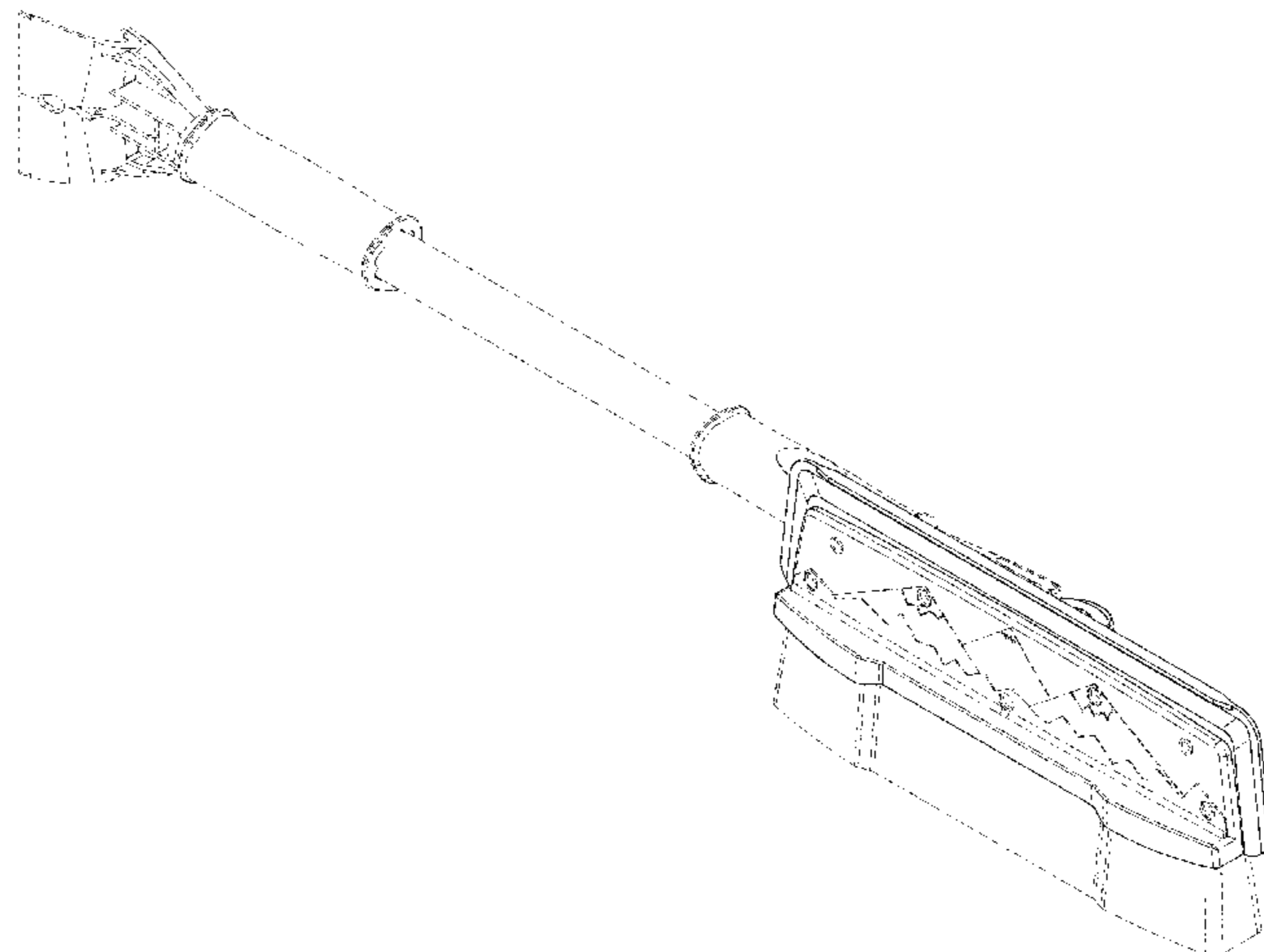
The ornamental design for an ice scraper with snow broom, as shown and described.

DESCRIPTION

FIG. 1 is a bottom perspective view of a first embodiment of the ice scraper with snow broom of the present invention;

FIG. 2 is a top perspective view of the head of the ice scraper with snow broom of the first embodiment;
FIG. 3 is a rear top perspective view of the snow broom head of the ice scraper with snow broom of the first embodiment;
FIG. 4 is a front top perspective view of the snow broom head of the ice scraper with snow broom of the first embodiment;
FIG. 5 is a rear elevational view of the snow broom head of the ice scraper with snow broom of the first embodiment;
FIG. 6 is a top view of the snow broom head of the ice scraper with snow broom of the first embodiment;
FIG. 7 is a bottom view of the snow broom head of the ice scraper with snow broom of the first embodiment;
FIG. 8 is a right end view of the snow broom head of the ice scraper with snow broom of the first embodiment;
FIG. 9 is a left end view of the snow broom head of the ice scraper with snow broom of the first embodiment;
FIG. 10 is a front elevational view of the snow broom head of the ice scraper with snow broom of the first embodiment;
FIG. 11 is a front top perspective view of a second embodiment of the ice scraper with snow broom of the present invention;
FIG. 12 is a rear top perspective view of the head of the ice scraper with snow broom of the second embodiment;
FIG. 13 is a rear top perspective view of the snow broom head of the ice scraper with snow broom of the second embodiment;
FIG. 14 is a front top perspective view of the snow broom head of the ice scraper with snow broom of the second embodiment;
FIG. 15 is a rear elevational view of the snow broom head of the ice scraper with snow broom of the second embodiment;
FIG. 16 is a top view of the snow broom head of the ice scraper with snow broom of the second embodiment;
FIG. 17 is a bottom view of the snow broom head of the ice scraper with snow broom of the second embodiment;
FIG. 18 is a right end view of the snow broom head of the ice scraper with snow broom of the second embodiment;
FIG. 19 is a left end view of the snow broom head of the ice scraper with snow broom of the second embodiment; and,
FIG. 20 is a front elevational view of the snow broom head of the ice scraper with snow broom of the second embodiment.

(Continued)



The broken lines shown in the figures depict portions of the ice scraper with snow broom that forms no part of the claimed design.

1 Claim, 17 Drawing Sheets

(58) Field of Classification Search

CPC ... A46B 2200/3046; A47L 13/08; B60S 3/045
See application file for complete search history.

(56)

References Cited

U.S. PATENT DOCUMENTS

D485,032 S * 1/2004 Anderson D32/42
D501,726 S * 2/2005 Liu D4/118
D501,727 S * 2/2005 Liu D4/118
D564,230 S * 3/2008 Schouten D32/49

7,832,955 B1 * 11/2010 Leffew B60S 3/047
401/265
D652,218 S * 1/2012 Hoffelner D4/118
9,107,490 B2 * 8/2015 Laffeur A46B 15/0081
D750,380 S * 3/2016 Blouin D4/118
9,345,314 B2 * 5/2016 Henningsen B60S 3/045
D831,360 S * 10/2018 Bennett D4/118
D834,327 S * 11/2018 Tschopp D4/118
D834,328 S * 11/2018 Thompson D4/118
D834,829 S * 12/2018 Thompson D4/118
D838,493 S * 1/2019 Thuma D4/118
D913,698 S * 3/2021 Bennett D4/118
D918,592 S * 5/2021 Tang D4/118

OTHER PUBLICATIONS

Lowes Folding Brush, announced Jan. 2014 [online], [site visited Jul. 14, 2021]. Available from internet, URL: <https://www.lowes.com/pd/Hopkins-52-in-L-Plastic-Ice-Scraper/3349432> (Year: 2014).*

* cited by examiner

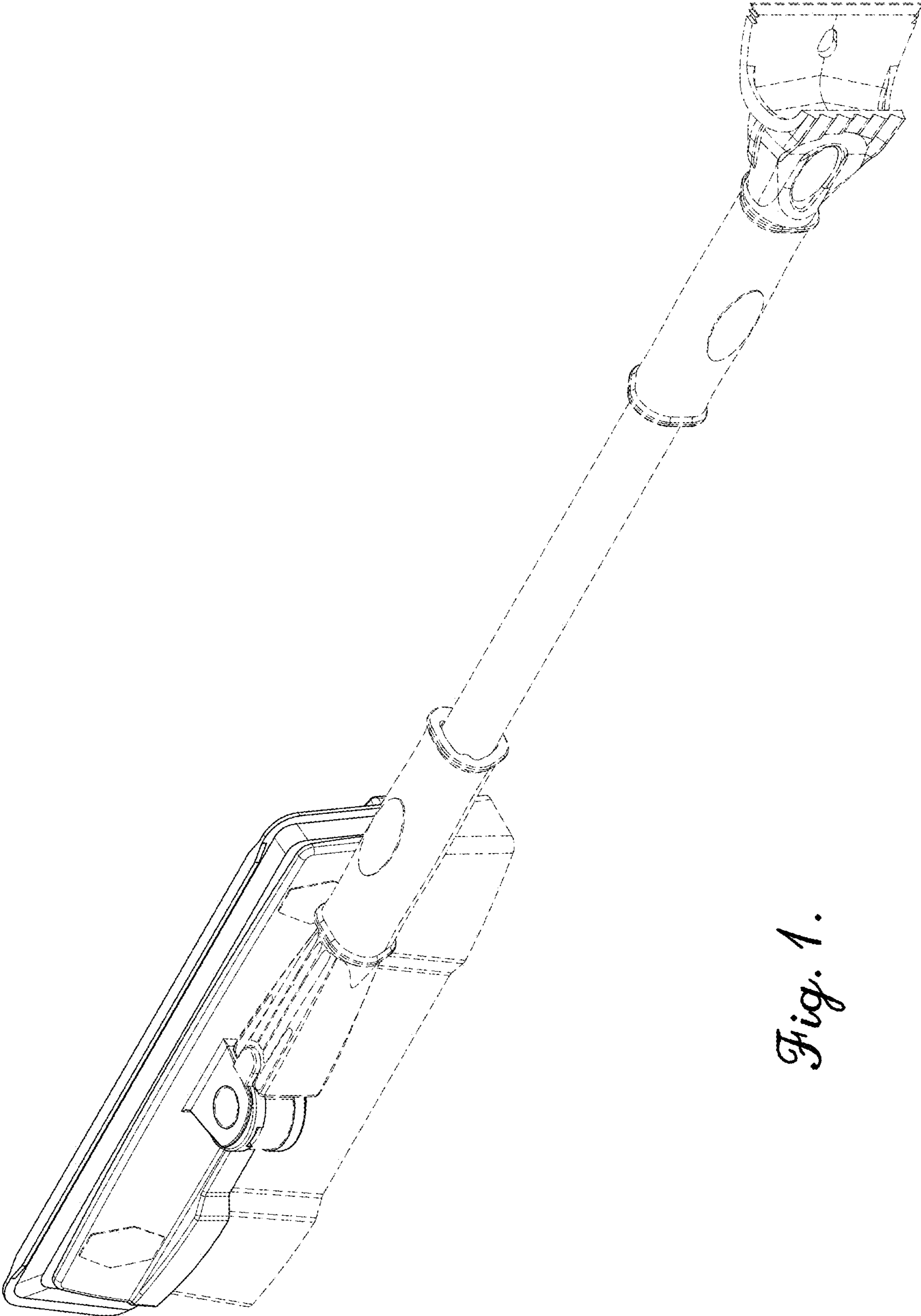


Fig. 1.

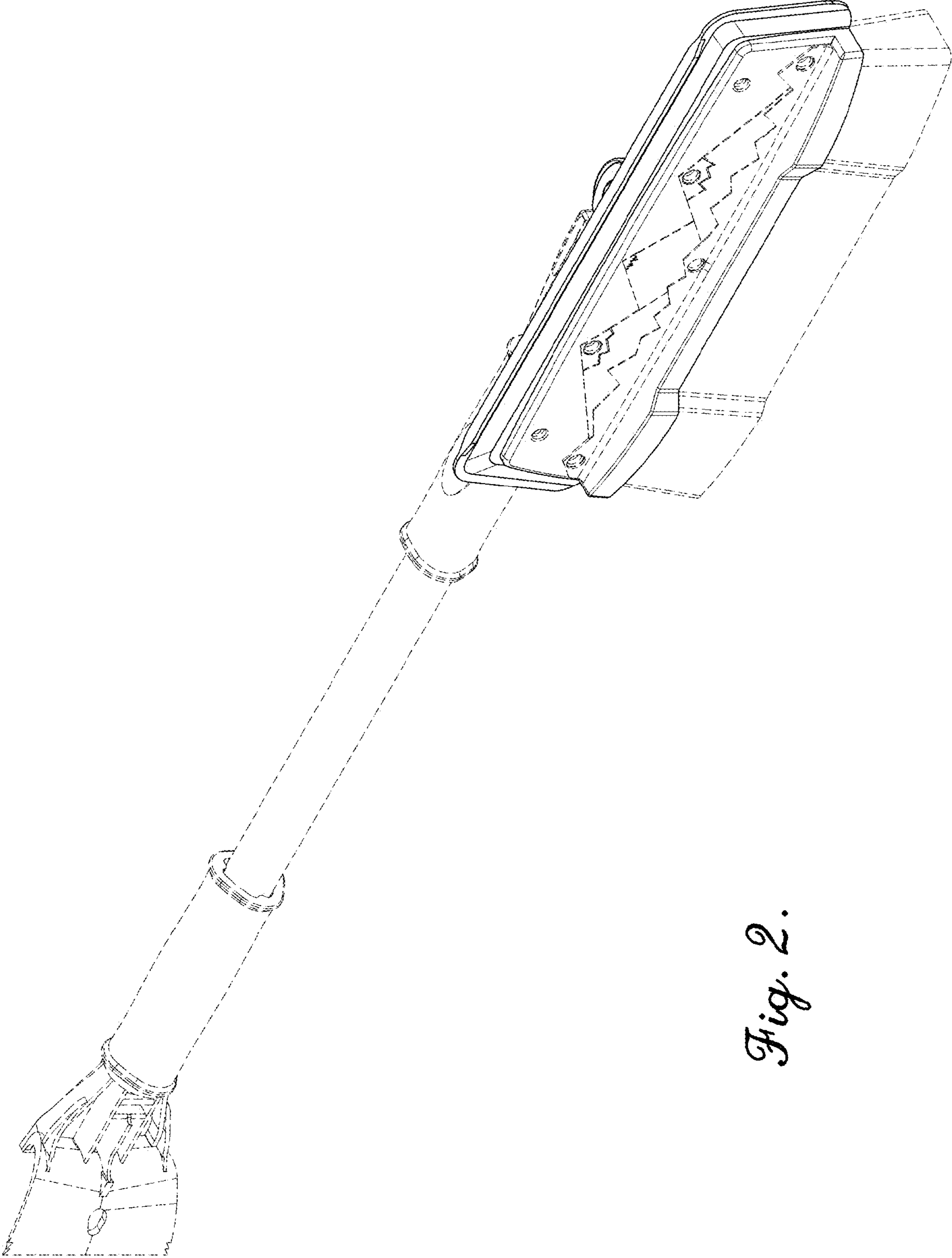


Fig. 2.

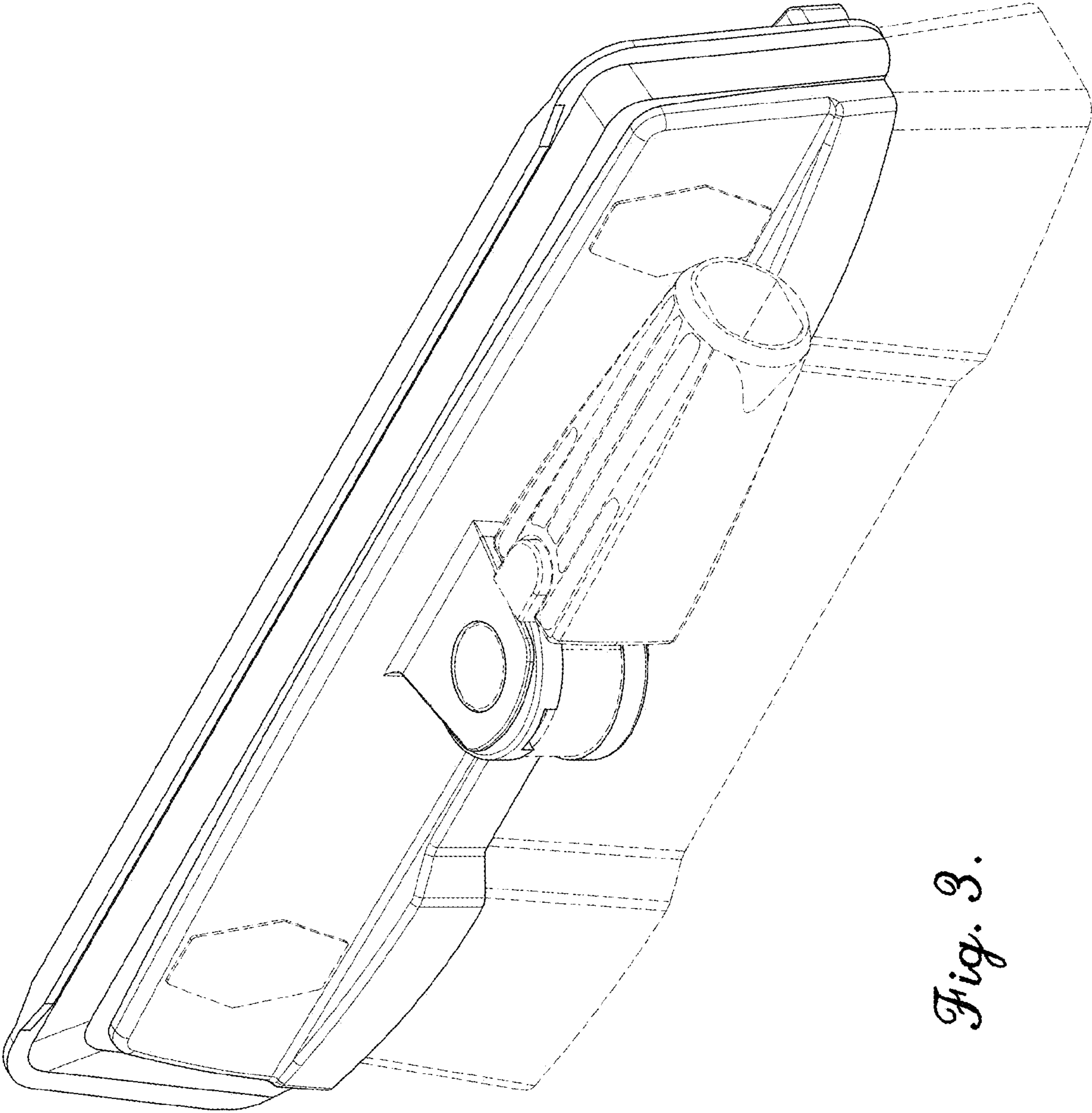


Fig. 3.

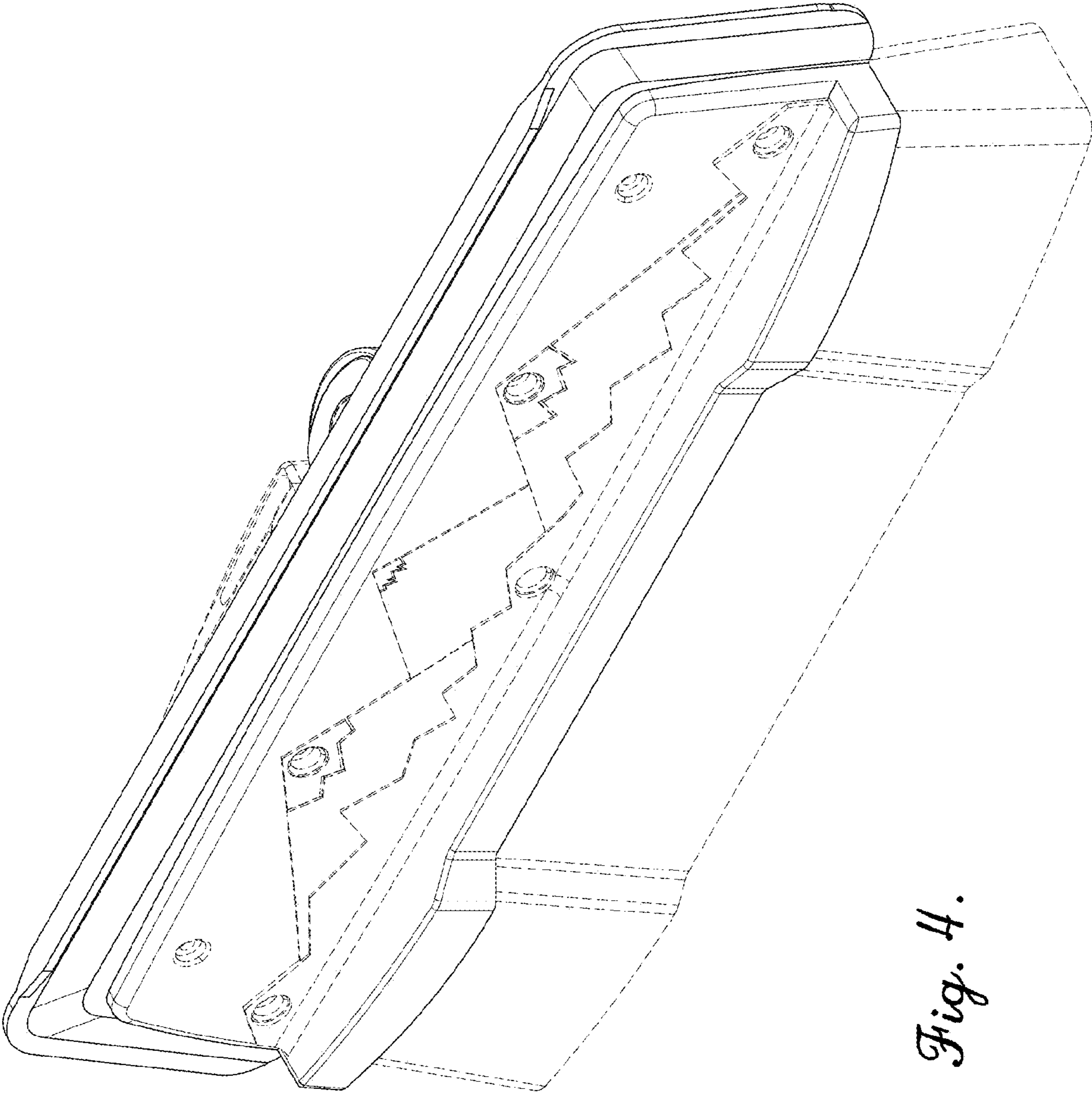


Fig. 4.

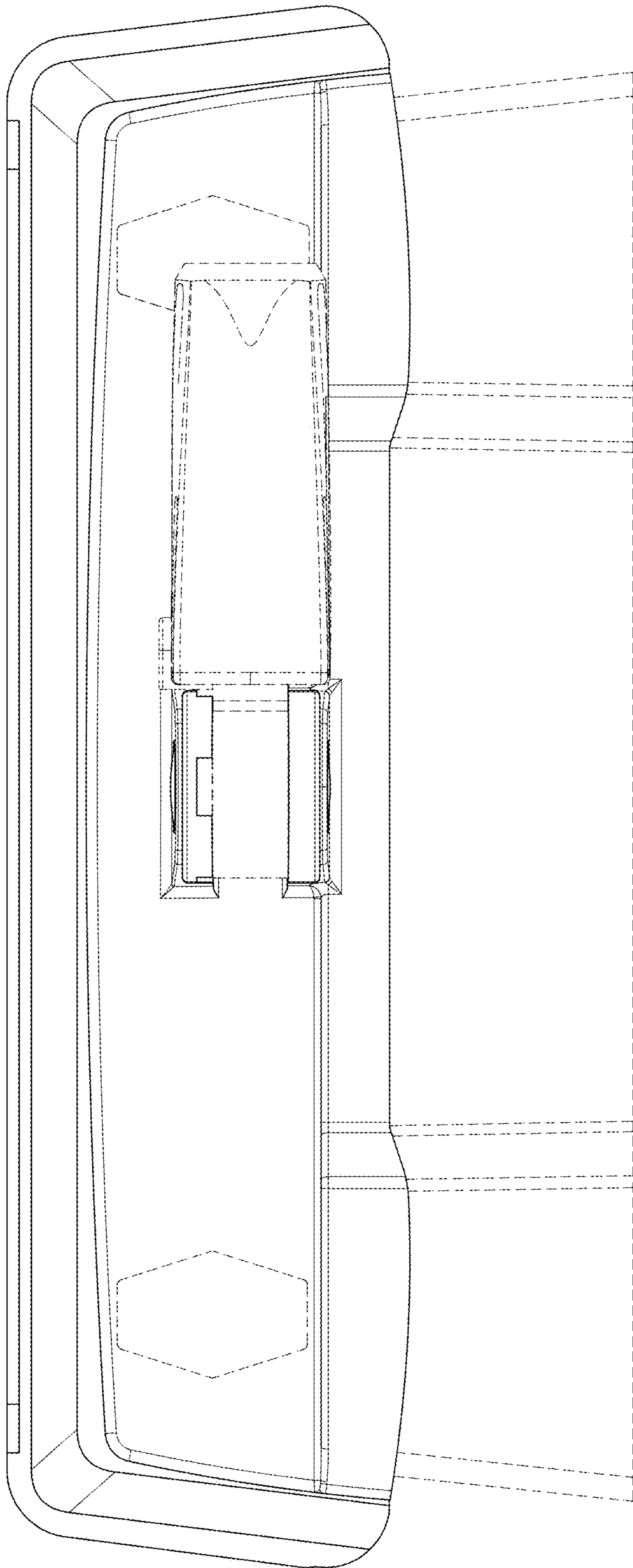


Fig. 5.

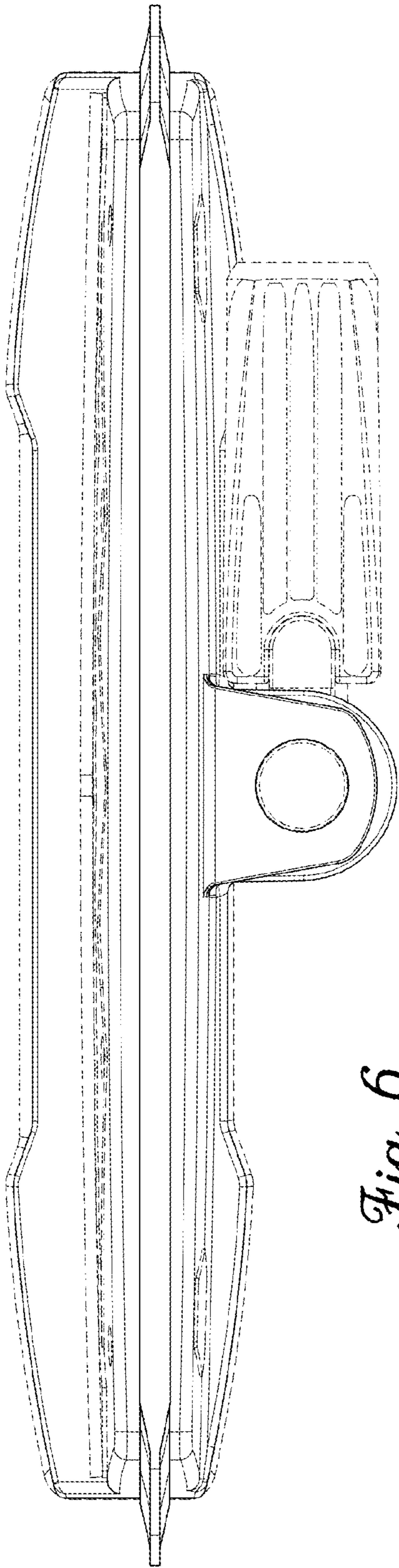


Fig. 6.

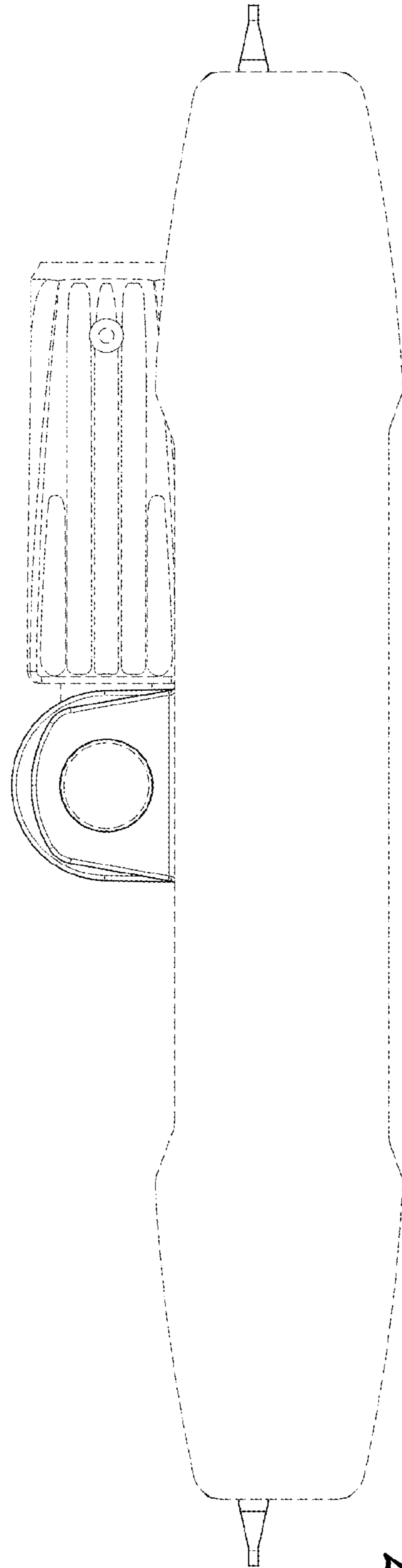


Fig. 7.

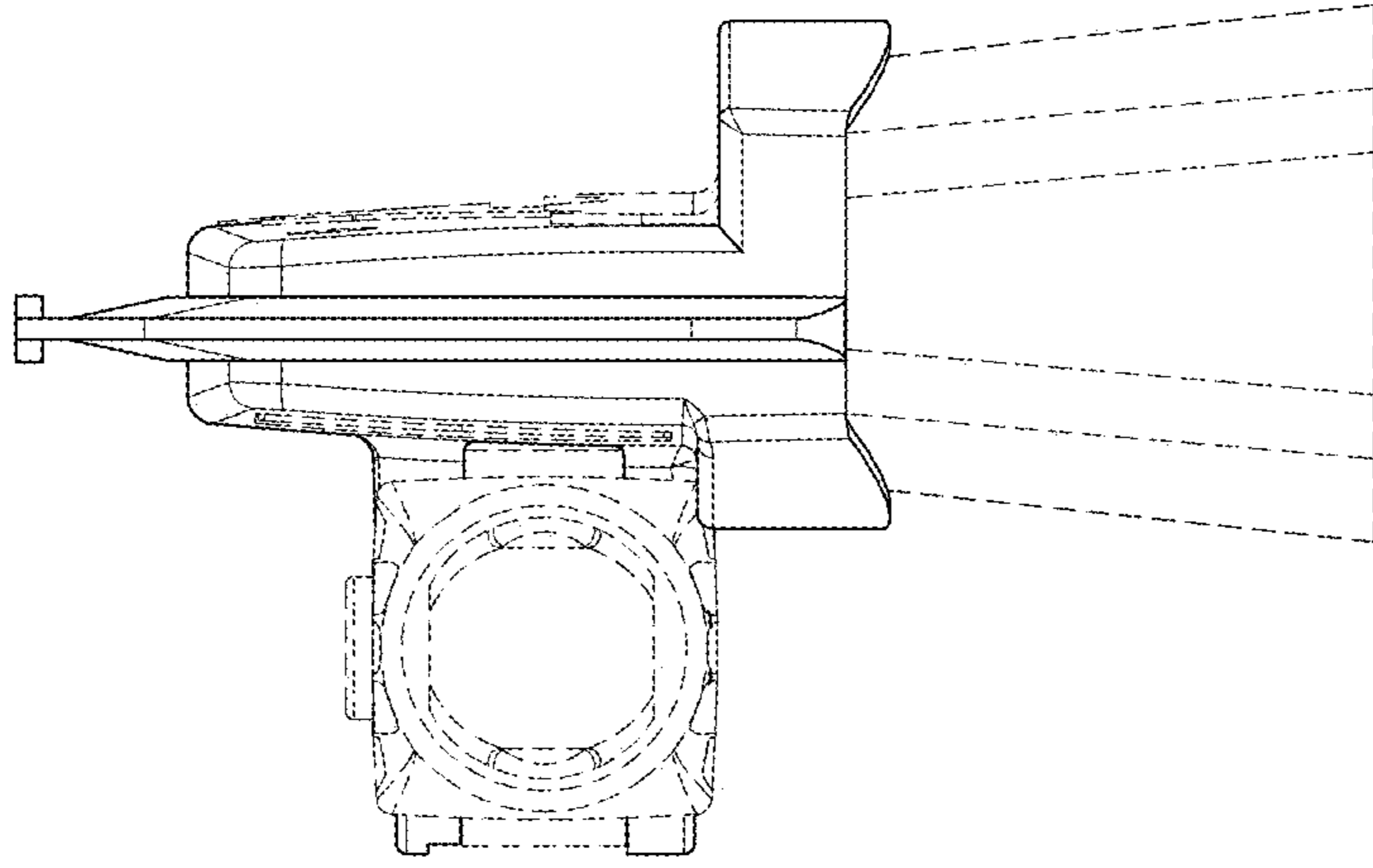


Fig. 9.

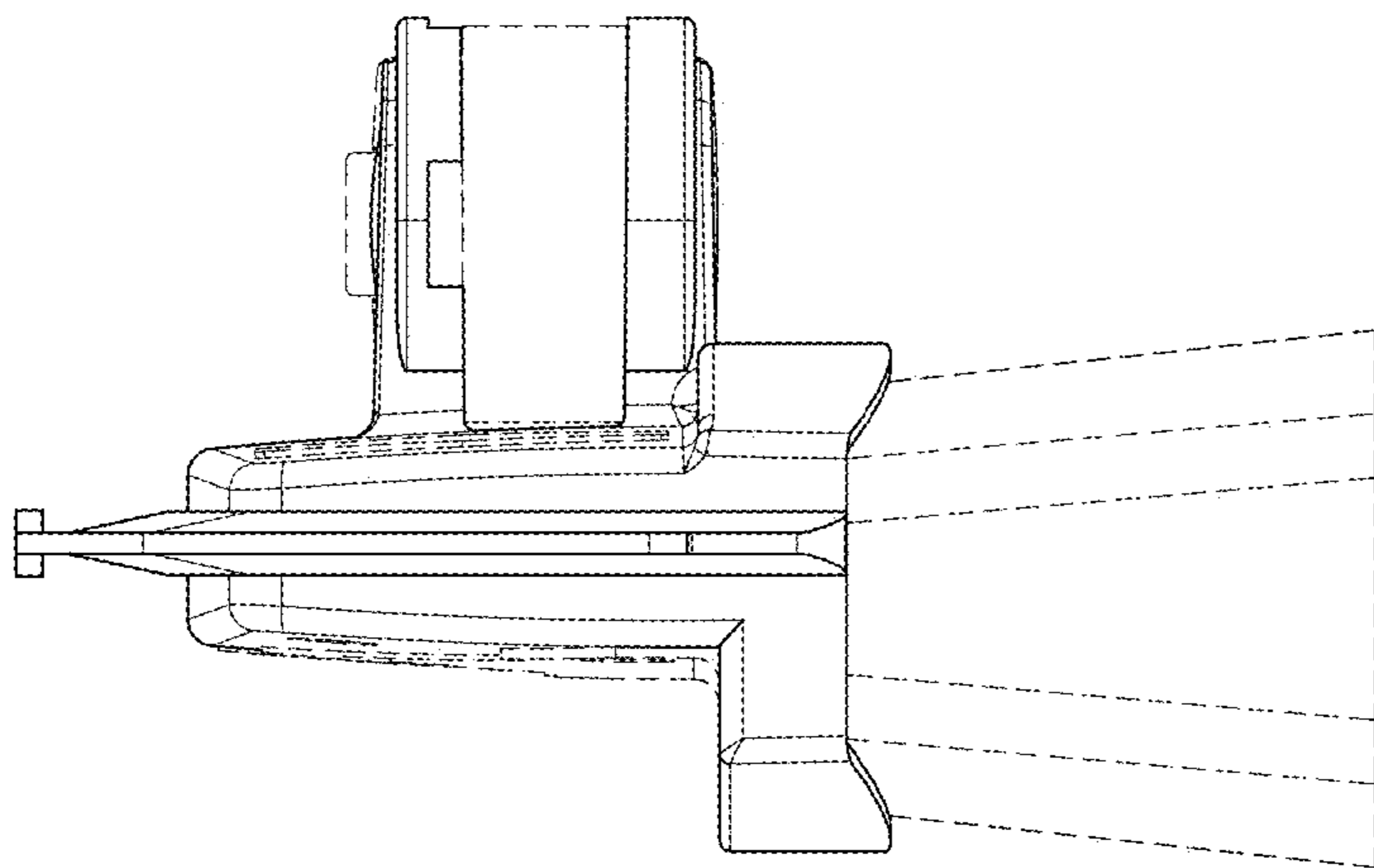


Fig. 8.

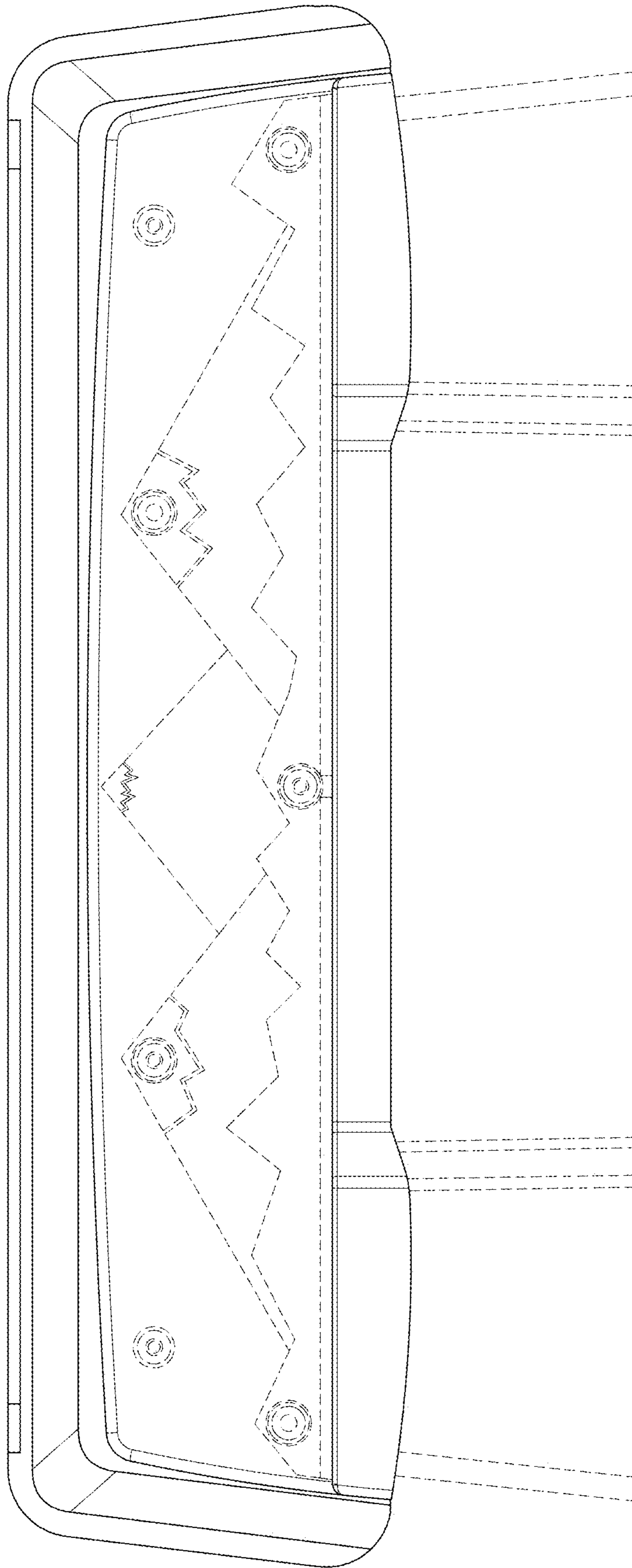


Fig. 10.

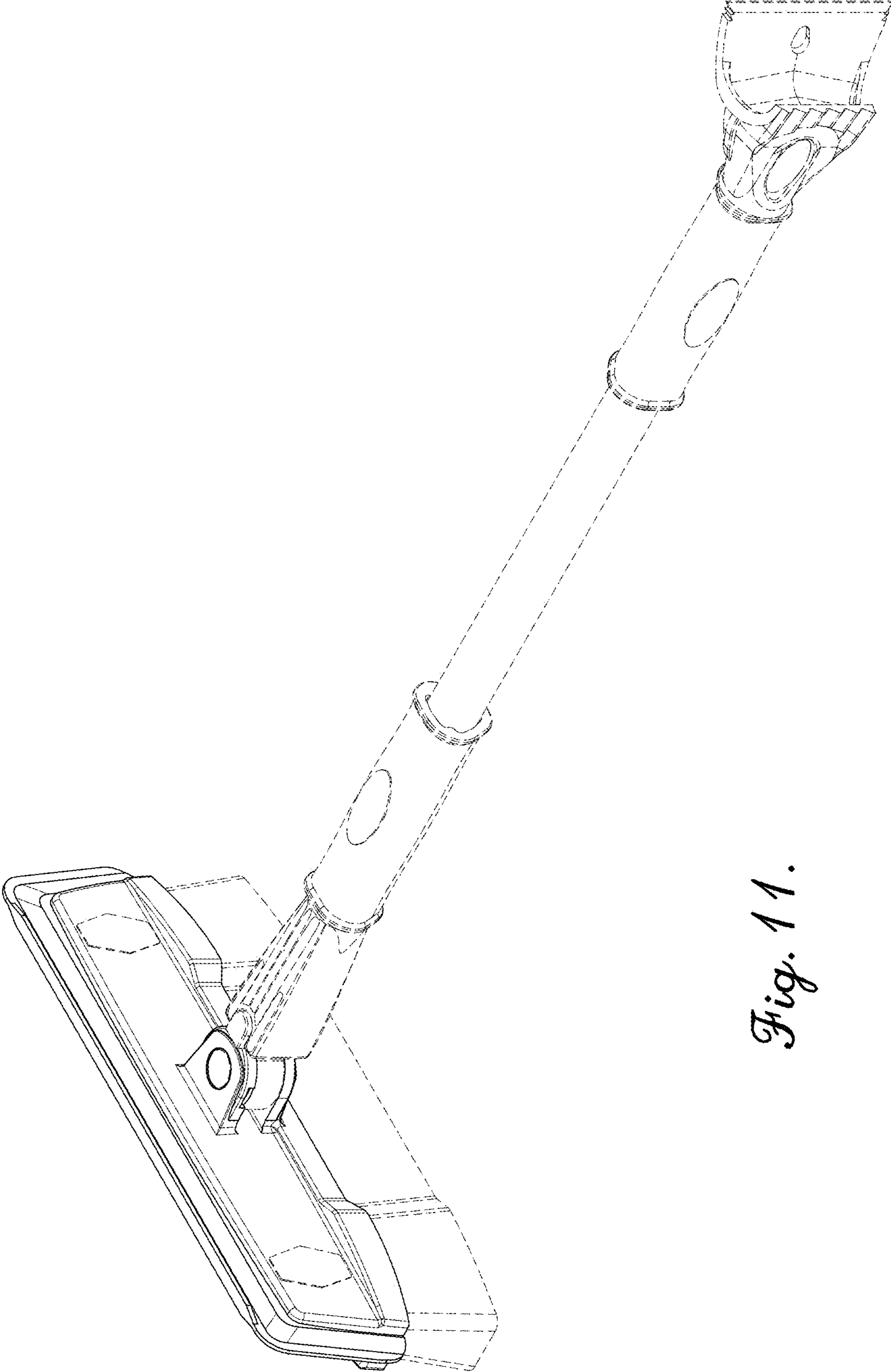


Fig. 11.

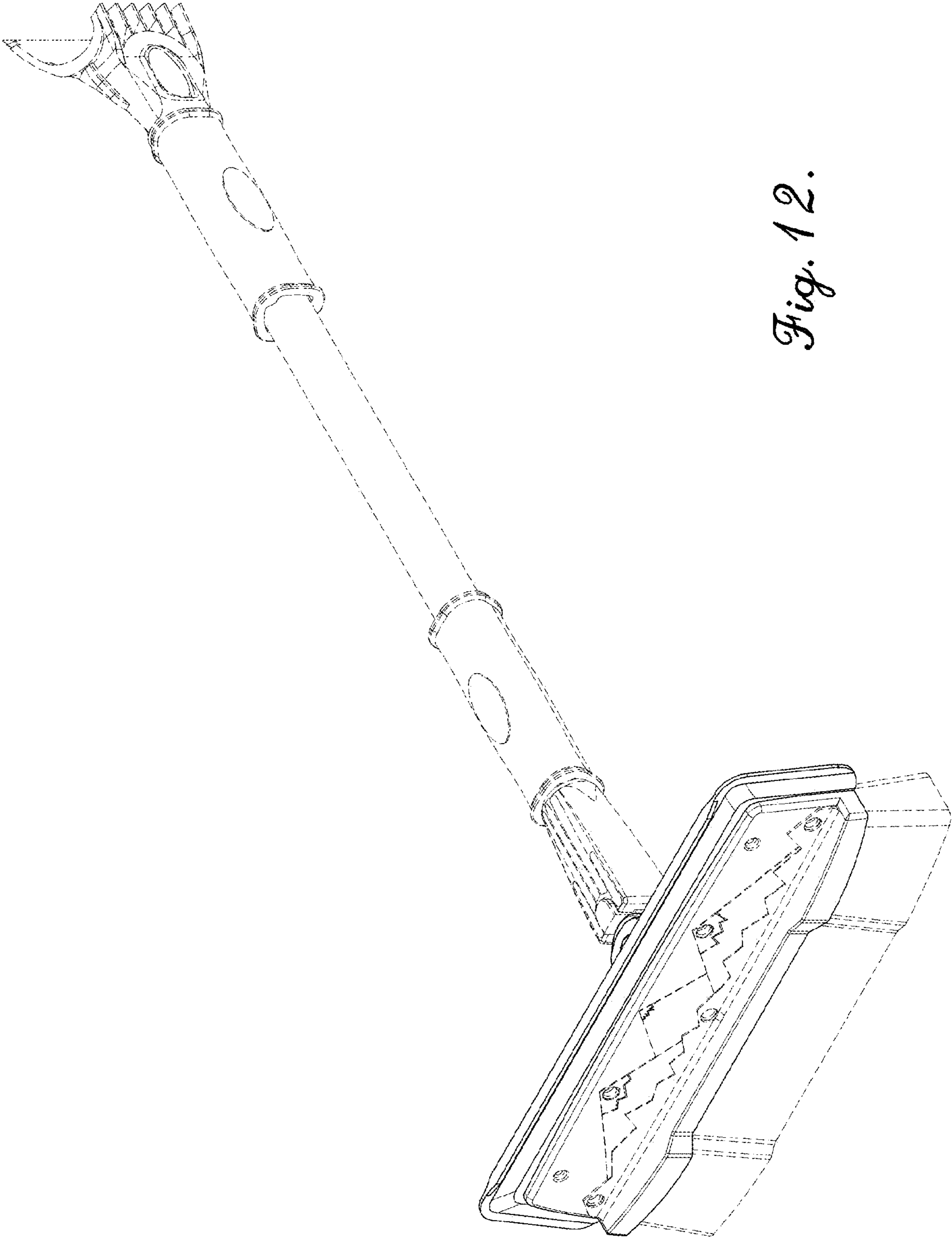


Fig. 12.

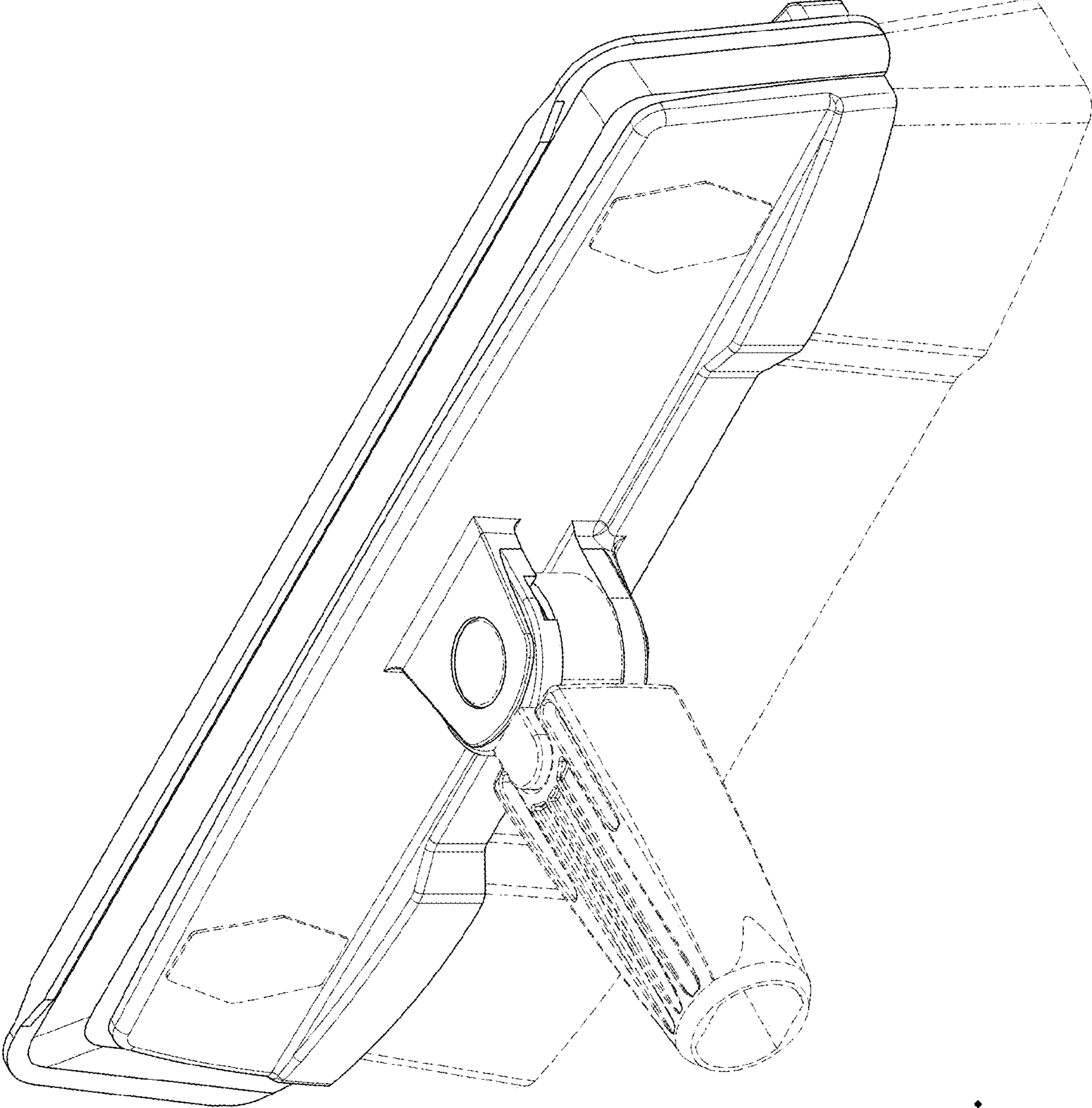


Fig. 13.

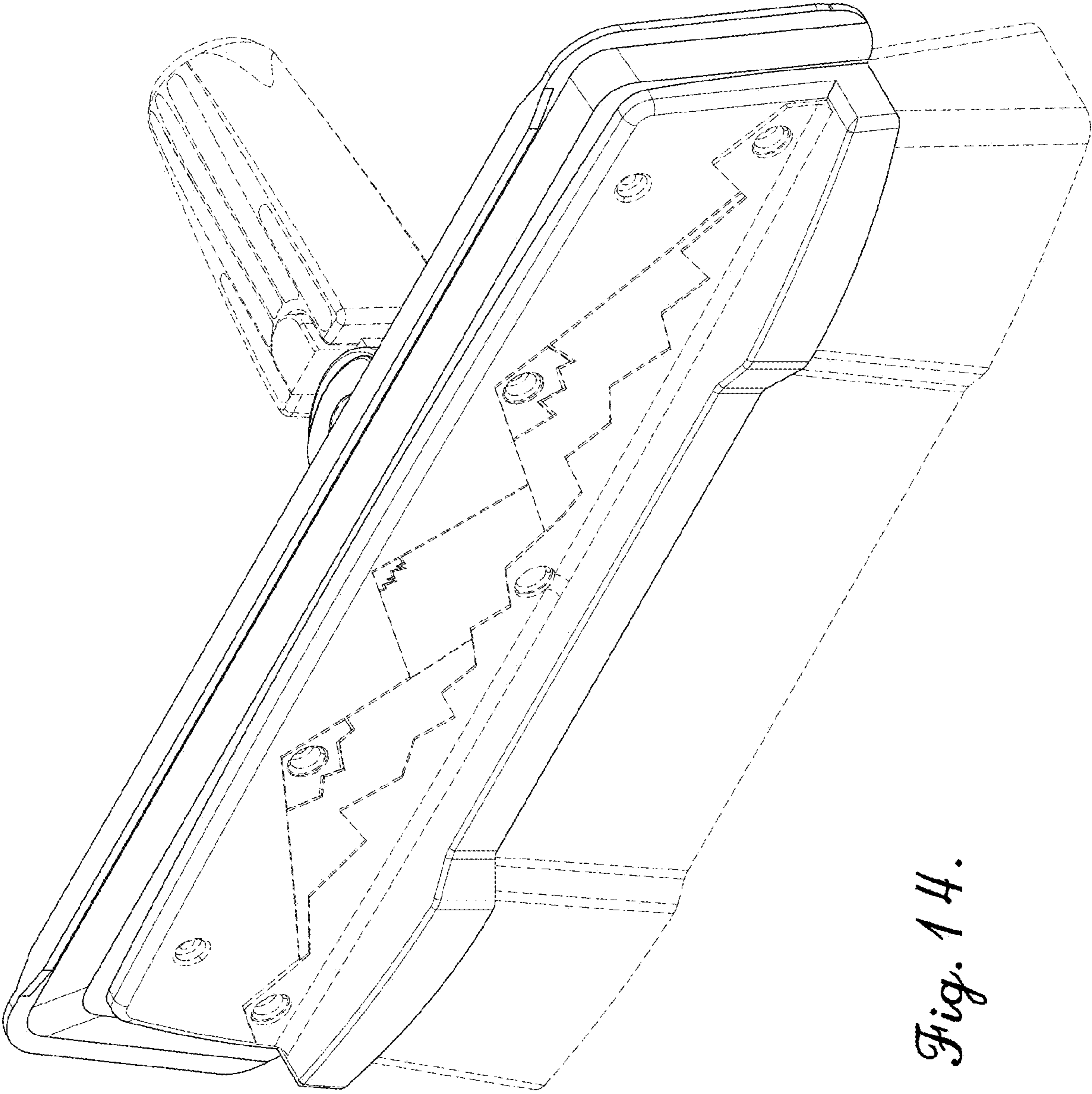


Fig. 14.

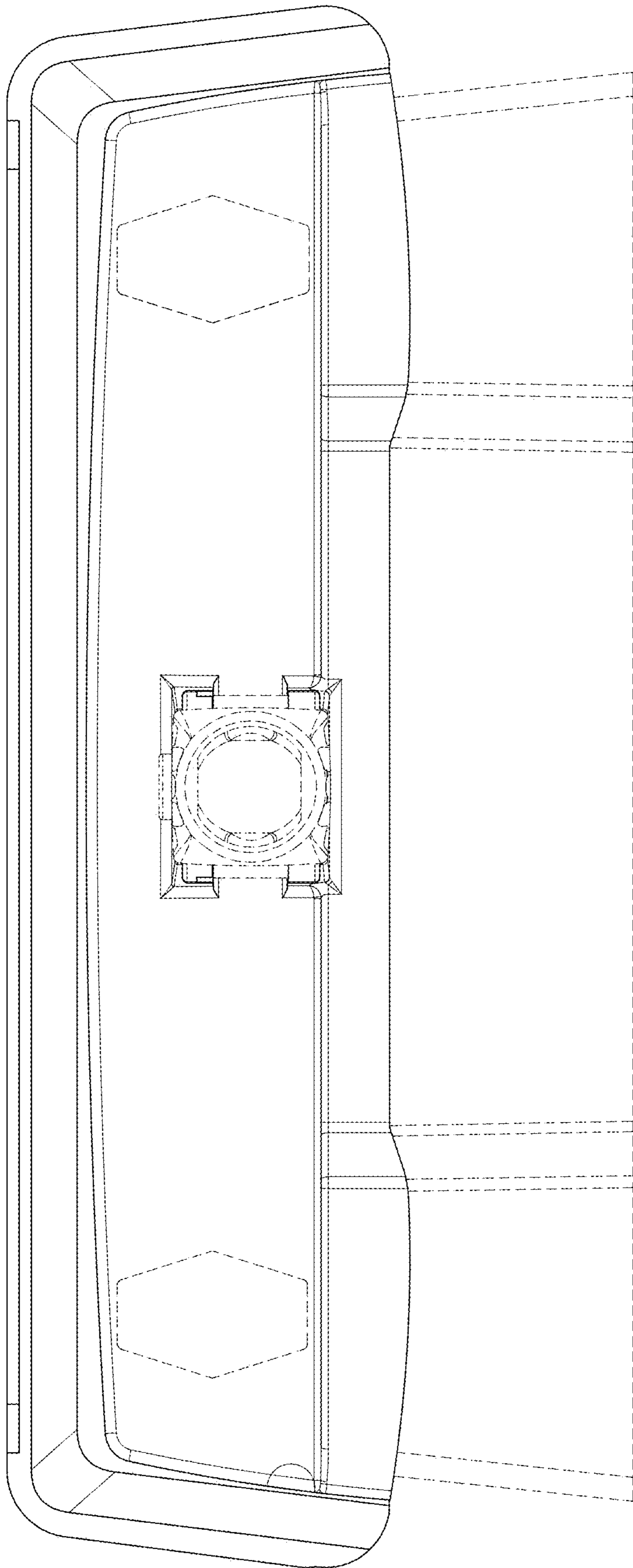


Fig. 15.

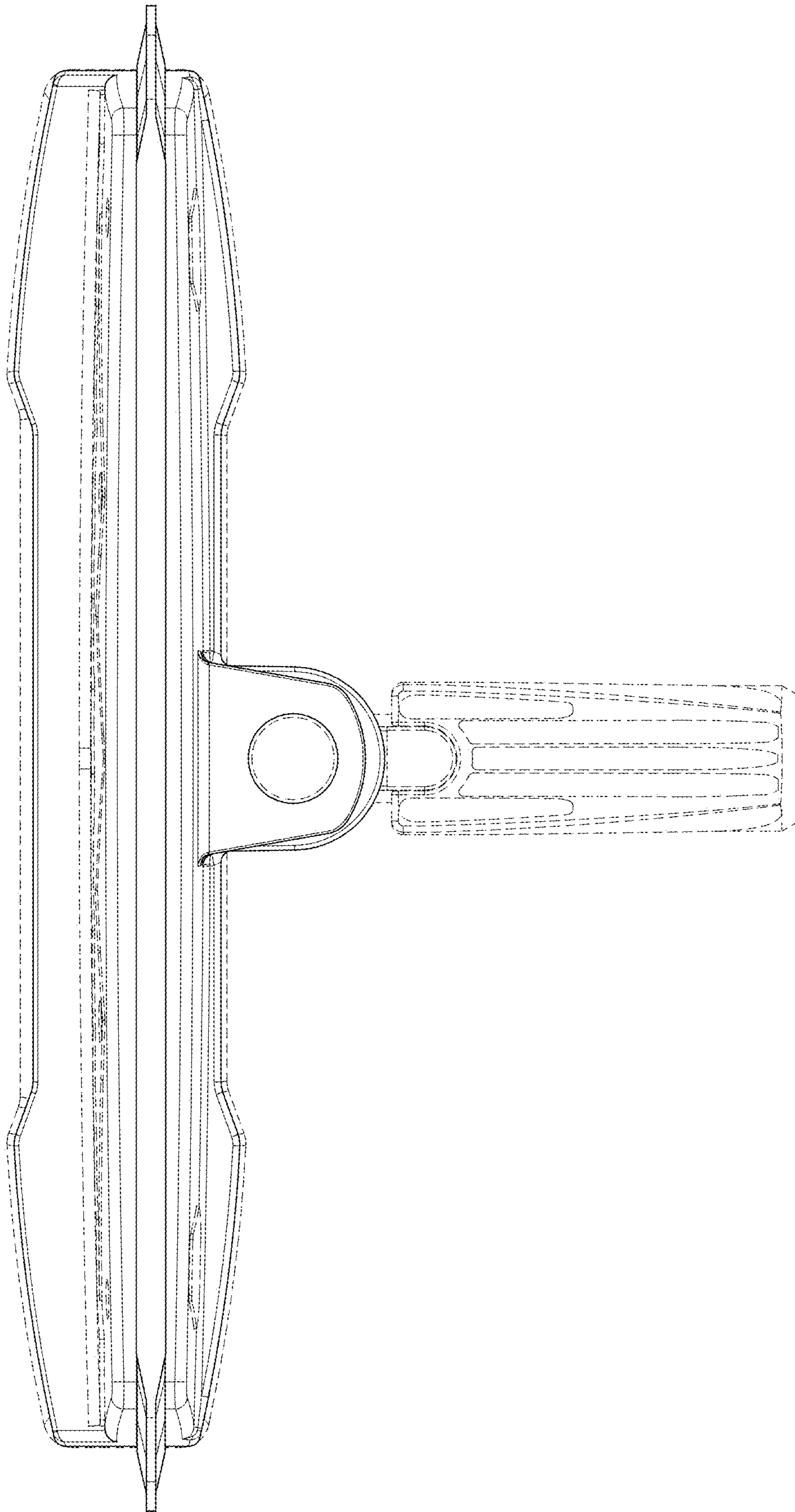


Fig. 16.

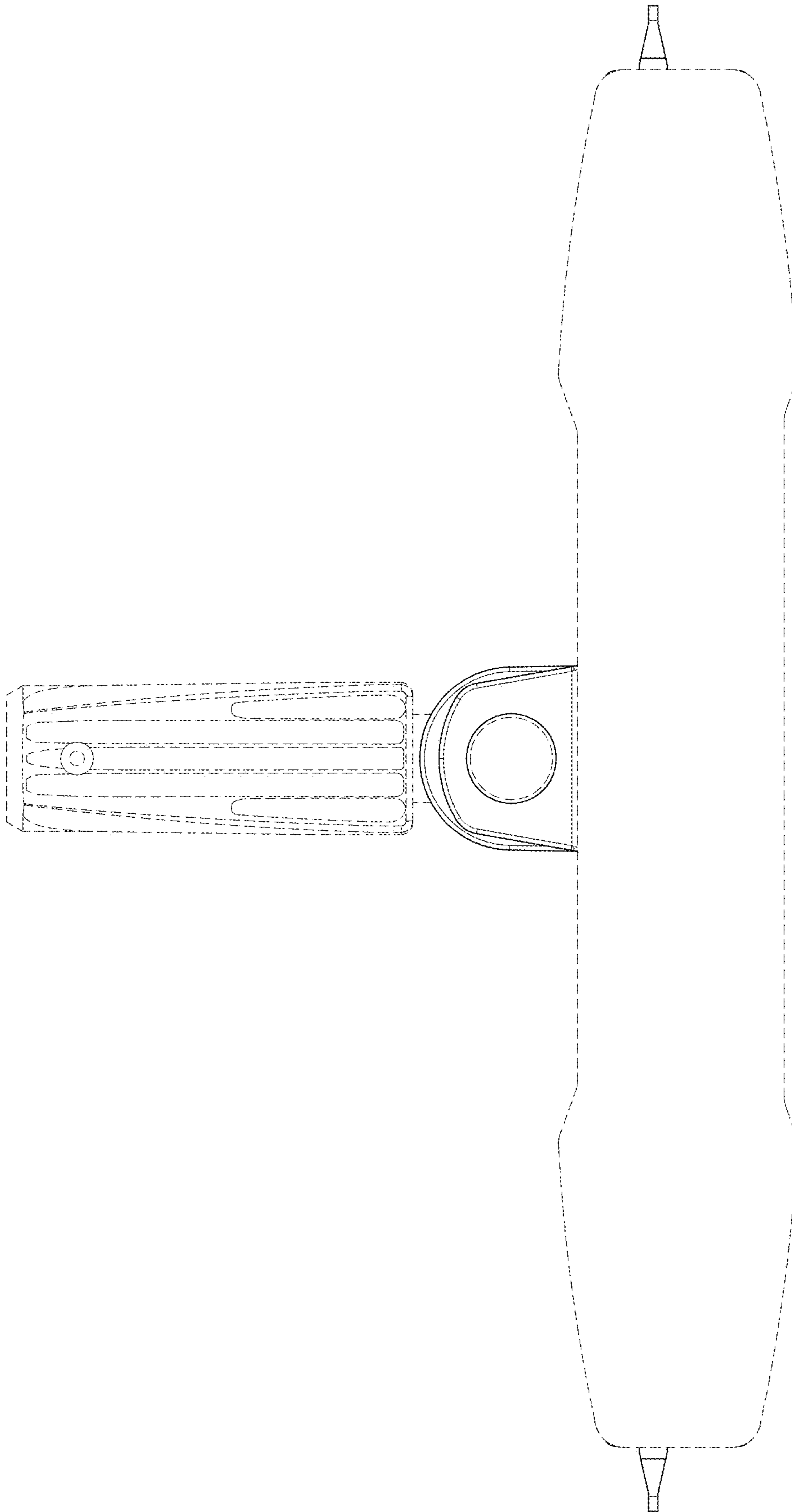


Fig. 17.

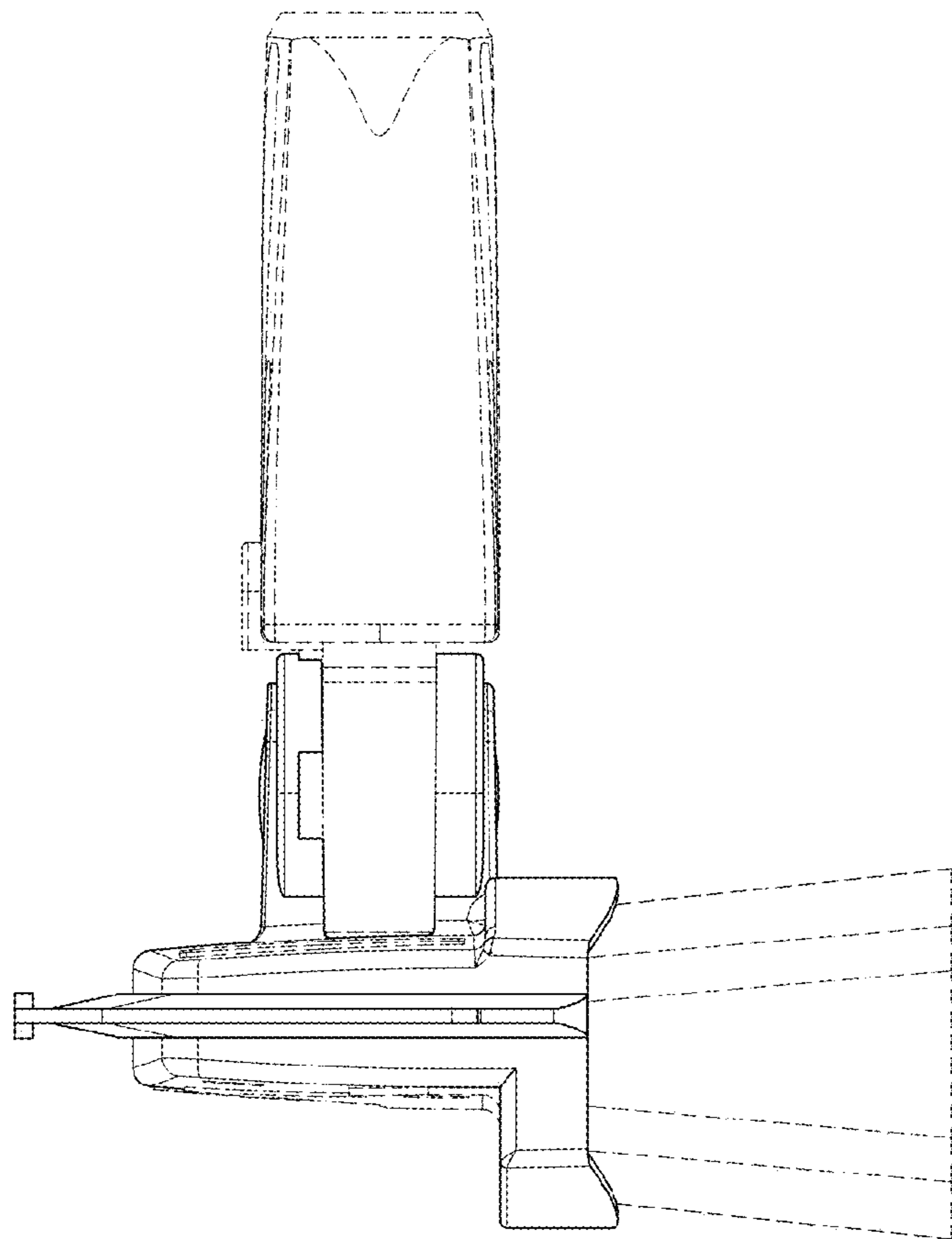


Fig. 18.

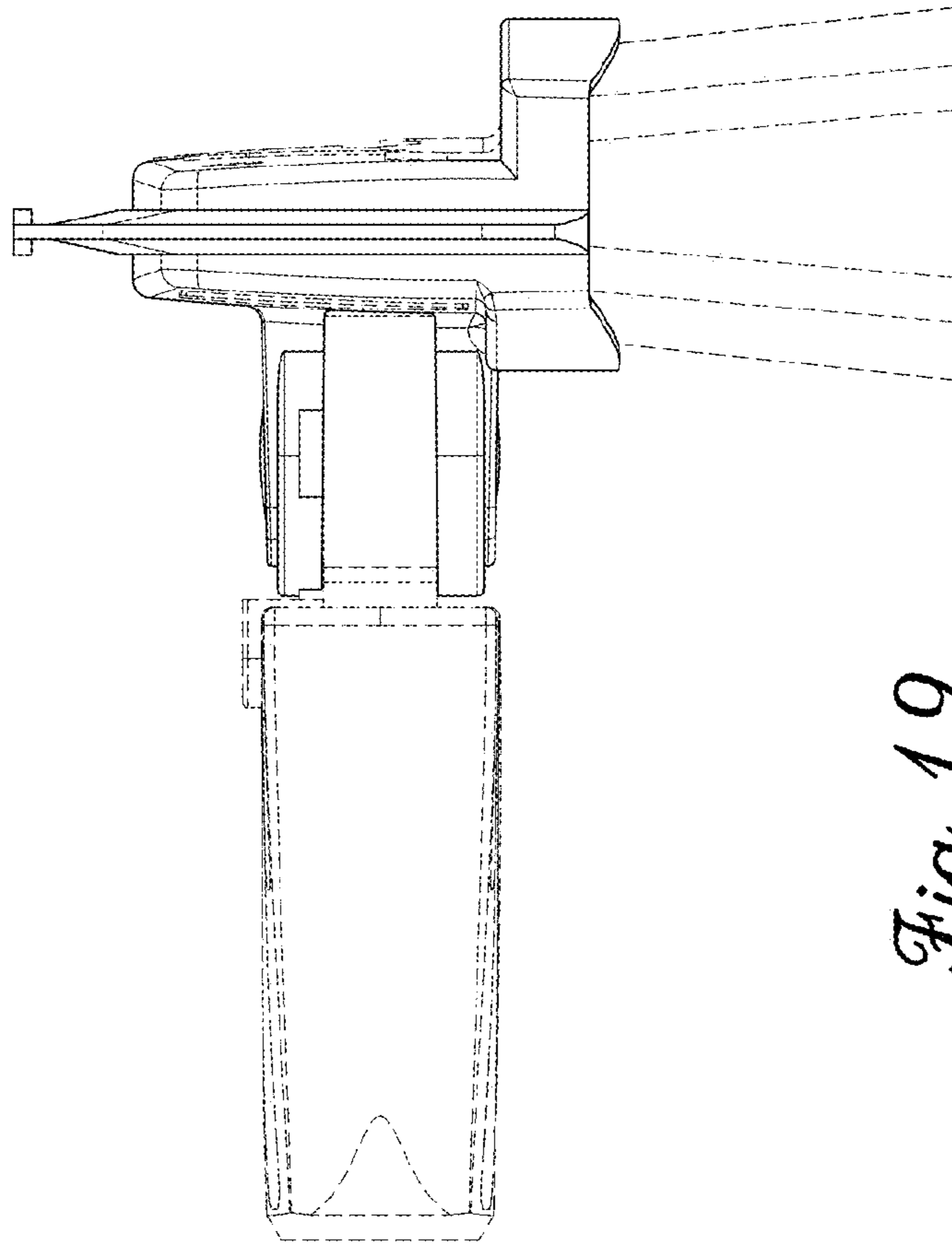


Fig. 19.

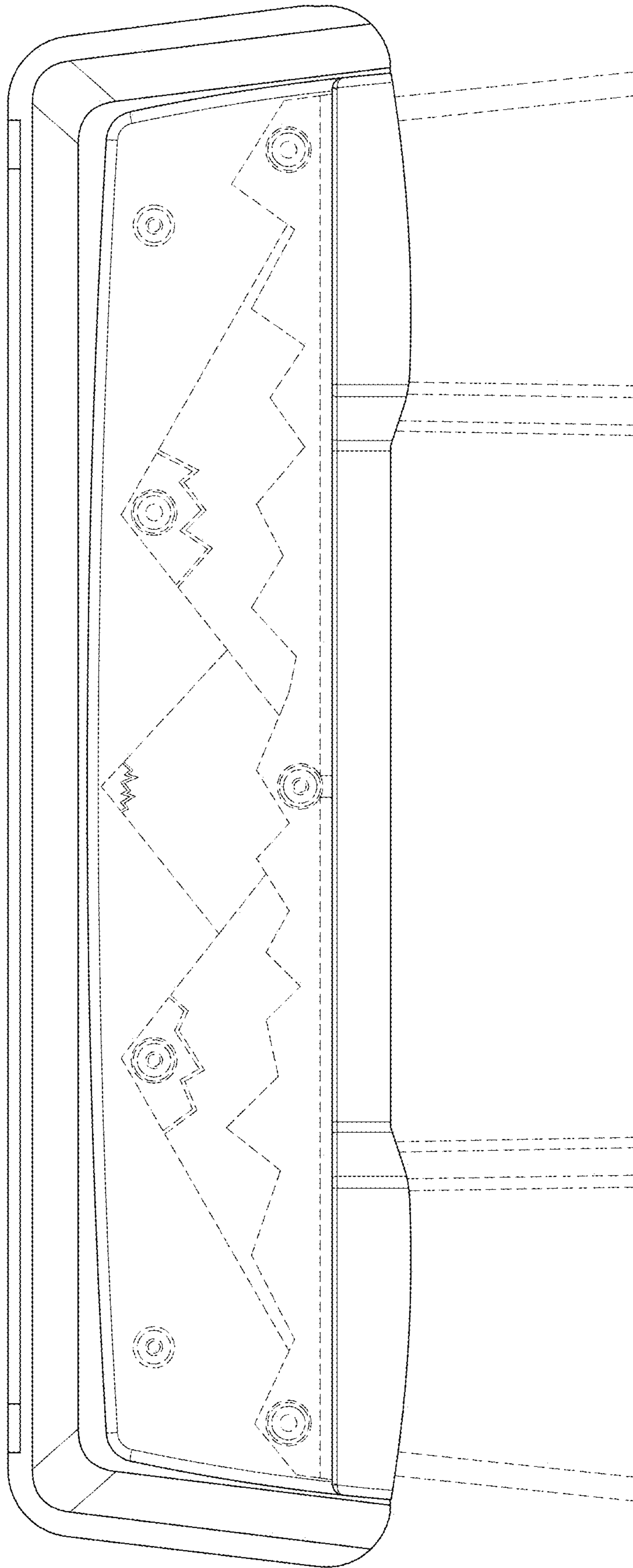


Fig. 20.