



US00D942147S

(12) **United States Design Patent** (10) **Patent No.:** **US D942,147 S**
Perez et al. (45) **Date of Patent:** **** Feb. 1, 2022**

(54) **BALL NET**
(71) Applicant: **Coulter Ventures, LLC.**, Columbus, OH (US)
(72) Inventors: **Anelia Perez**, Hilliard, OH (US); **William Henniger**, Columbus, OH (US); **Caitlin Henniger**, Columbus, OH (US); **Ahmik Jones**, Upper Arlington, OH (US)
(73) Assignee: **Coulter Ventures, LLC.**, Columbus, OH (US)
(**) Term: **15 Years**
(21) Appl. No.: **29/731,478**
(22) Filed: **Apr. 15, 2020**
(51) **LOC (13) Cl.** **03-01**
(52) **U.S. Cl.**
USPC **D3/257**
(58) **Field of Classification Search**
USPC D3/201, 254, 257, 269, 271.9, 301, 303, D3/315, 229; D6/349, 610, 611; D21/680; 482/92, 93
CPC A63B 21/00; A63B 43/02; A63B 41/08; A63B 47/00
See application file for complete search history.

(56) **References Cited**
U.S. PATENT DOCUMENTS
3,923,222 A * 12/1975 Groves B65D 33/06 294/157
4,147,353 A * 4/1979 Moore A63B 69/0079 473/575
4,592,549 A * 6/1986 Ryan A63B 43/007 473/430
4,993,707 A * 2/1991 Schwartz A63B 69/0071 473/450

D332,350 S * 1/1993 Anderson A45F 5/00 D3/257
5,620,186 A * 4/1997 Dudley A63B 21/0552 473/423
5,938,547 A * 8/1999 Gilford A63B 69/0071 473/450

(Continued)

OTHER PUBLICATIONS

Fhcraftshop Nylon belts Soccer ball holder, reviewed Dec. 9, 2019 [online], [site visited Mar. 12, 2021], available from internet. URL: <<https://www.etsy.com/listing/717980119/nylon-belts-soccer-ball-holder-ball>> (Year: 2019).*

(Continued)

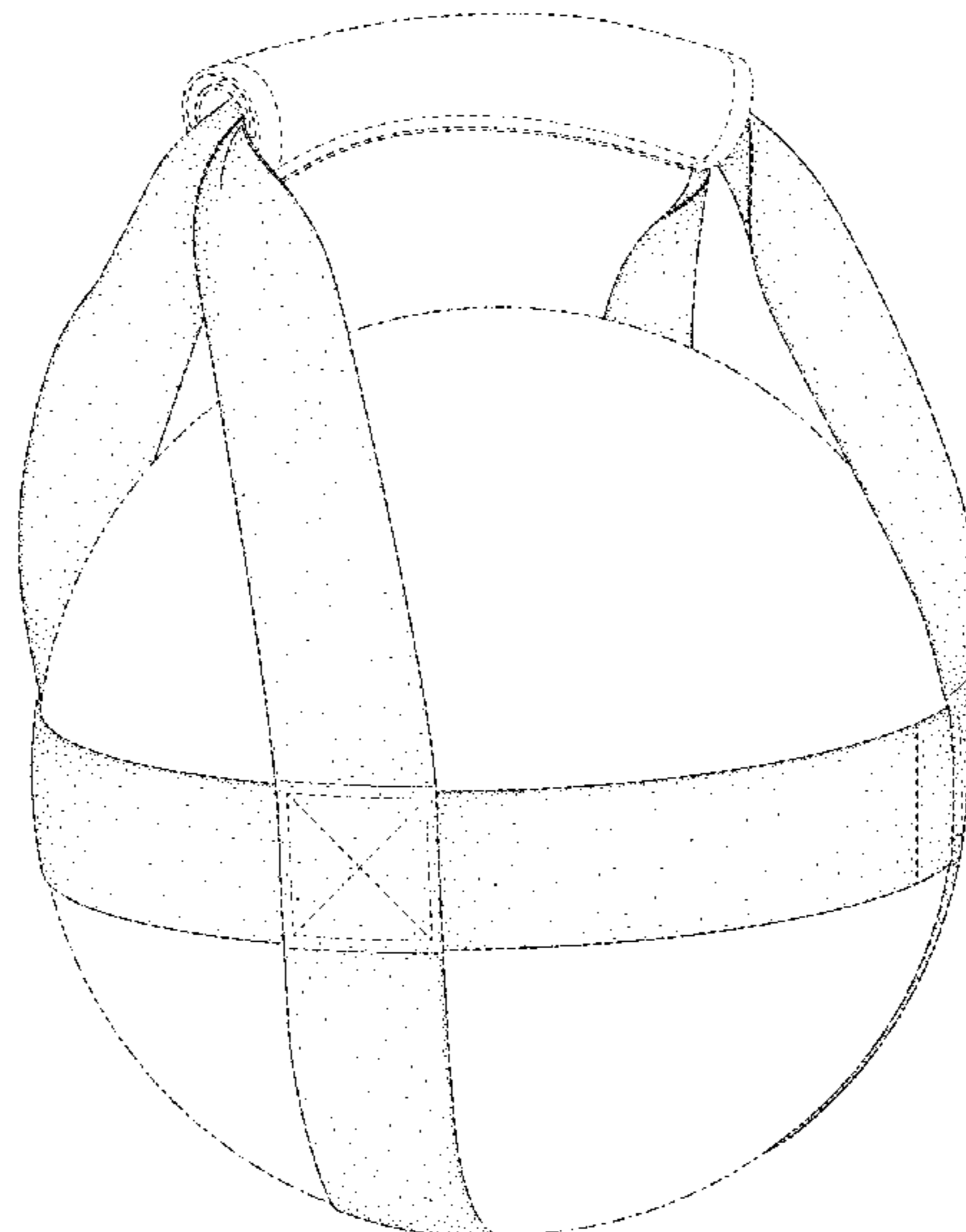
Primary Examiner — Kevin K Rudzinski
Assistant Examiner — Amber J Rabie
(74) *Attorney, Agent, or Firm* — Banner & Witcoff, Ltd.

(57) **CLAIM**
The ornamental design for a ball net, as shown and described.

DESCRIPTION

FIG. 1 is a top, front, right perspective view of a ball net showing our new design in a position for use;
FIG. 2 is a front view thereof;
FIG. 3 is a rear view thereof;
FIG. 4 is a right side view thereof;
FIG. 5 is a left side view thereof;
FIG. 6 is a top view thereof; and,
FIG. 7 is a bottom view thereof.
The even-length broken lines within the shaded areas represent stitching which forms no part of the claimed design. The even-length broken lines showing the remainder of the ball net represent unclaimed subject matter and form no part of the claimed design. The uneven-length broken lines outside the shaded areas depict environmental structure in the form of a ball and form no part of the claimed design.

1 Claim, 7 Drawing Sheets



(56)

References Cited

U.S. PATENT DOCUMENTS

D542,526 S * 5/2007 Zellmer A63B 69/0075
 D3/257
 7,775,912 B2 * 8/2010 Aguirre A63B 69/24
 473/423
 8,197,364 B2 * 6/2012 Henkel A63B 69/0075
 473/459
 D682,544 S * 5/2013 Raich A63B 43/007
 D3/229
 2005/0173478 A1 * 8/2005 Gill A45F 5/00
 224/148.6
 2012/0178595 A1 * 7/2012 Simpson-Weber A63B 7/00
 482/92
 2015/0314156 A1 * 11/2015 Crandall A63B 21/0555
 482/93

OTHER PUBLICATIONS

YourBirth Birth & Peanut Ball Elastic Carrier Strap with Handle,
 Jul. 31, 2019 [online], [site visited Mar. 12, 2021], available from

internet. URL: <https://www.etsy.com/listing/604461114/birth-peanut-ball-elastic-carrier-strap?ref=search_recently_viewed-2&frs=1> (Year: 2019).*

Product listing for Sveltus Rotation Bag Bag from https://www.fishpond.com/Sports_Outdoors/Sveltus-Rotation-Bag-Bag/3412181026507?utm_source=googleps&utm_medium=ps&utm_campaign=US&gclid=CjwKCAjw7LX0BRBiEiwAgNwy9r915mEHKAZussPJcyyvPy31QhztT49m6Xzw1k_H1Wjbmns95z9BoC2AgQAvD_BwE, dated Apr. 8, 2020.

Product images for Sveltus Rotation Bag Bag from https://www.fishpond.com/Sports_Outdoors/Sveltus-Rotation-Bag-Bag/3412181026507?utm_source=googleps&utm_medium=ps&utm_campaign=US&gclid=CjwKCAjw7LX0BRBiEiwAgNwy9r915mEHKAZussPJcyyvPy31QhztT49m6Xzw1k_H1Wjbmns95z9BoC2AgQAvD_BwE, dated Apr. 8, 2020.

Product listing for Tap Hammer Net from <https://oman.desertcart.com/products/8142802-tap-hammer-net>, dated Apr. 8, 2020.

Product listing for Hammer Ball Net from <https://global.rakuten.com/en/store/bodymaker/item/tg156/>, dated Apr. 8, 2020.

* cited by examiner

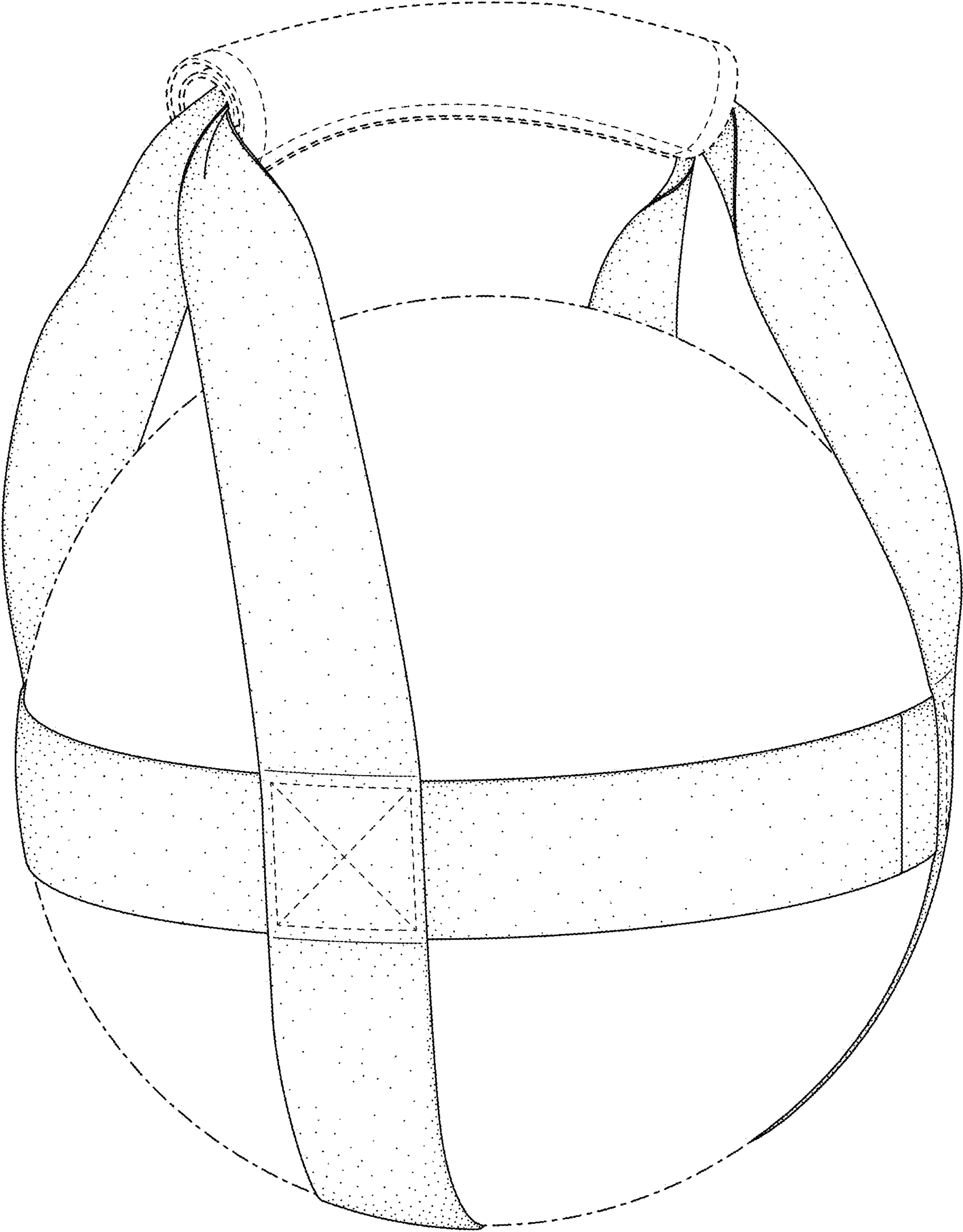


FIG. 1

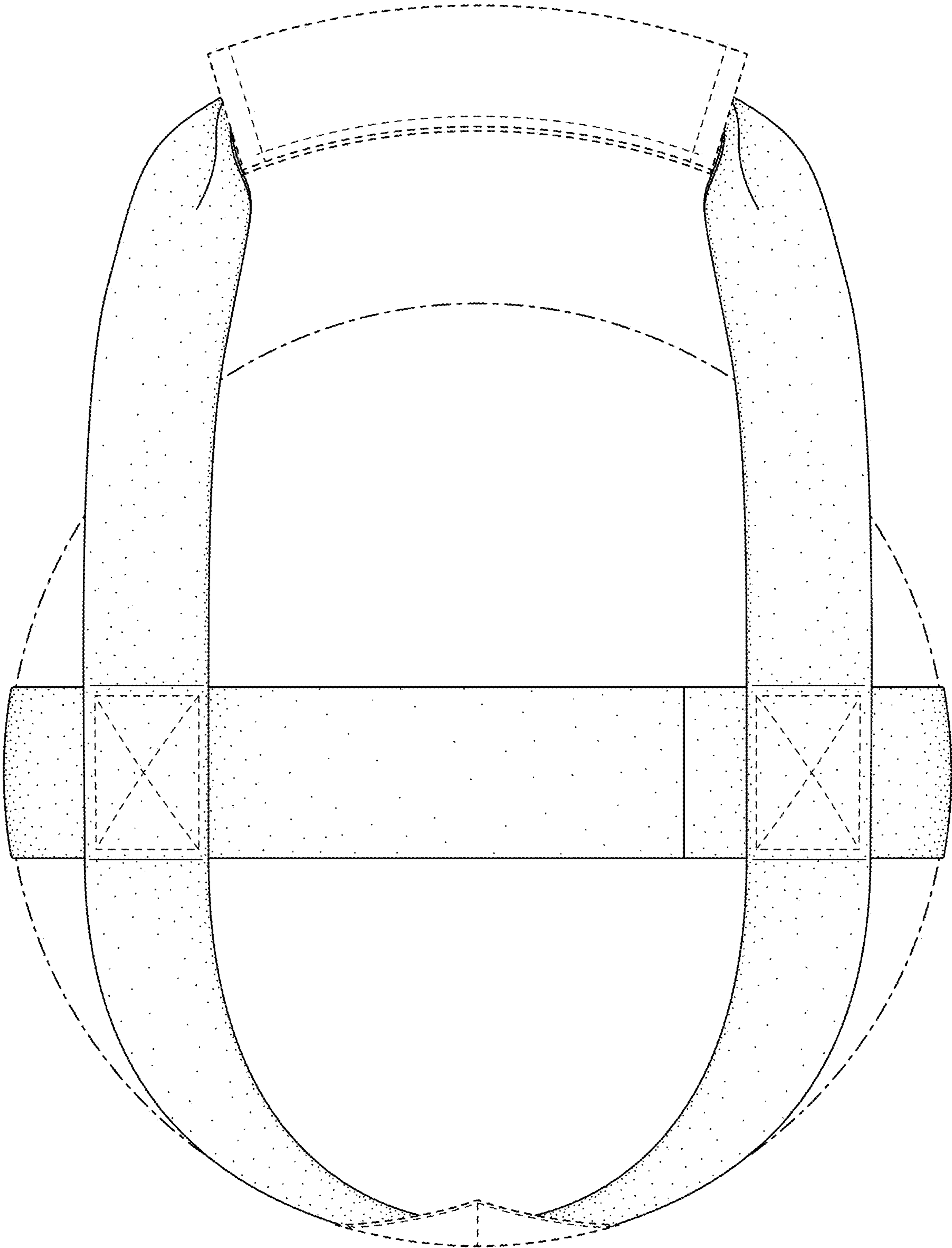


FIG. 2

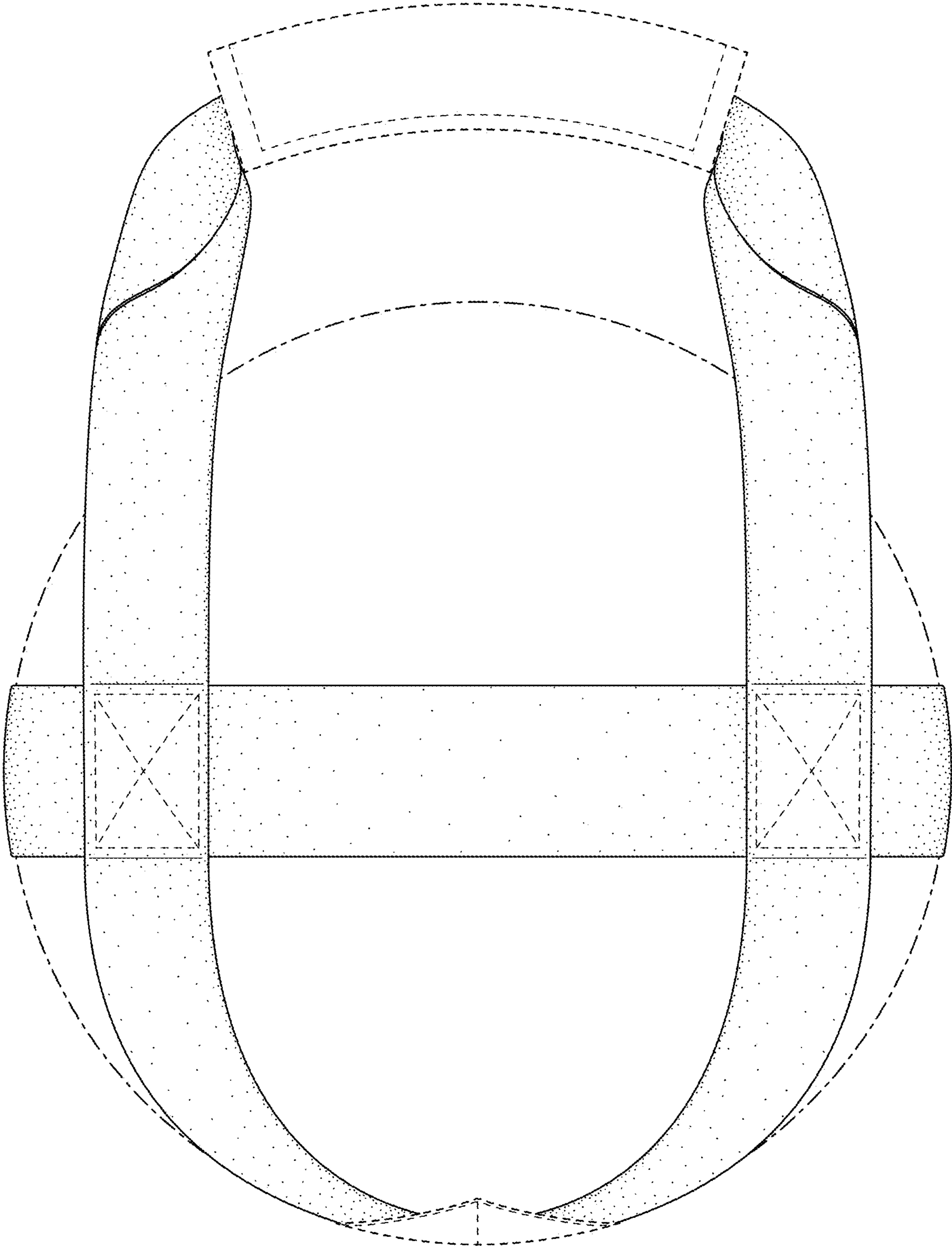


FIG. 3

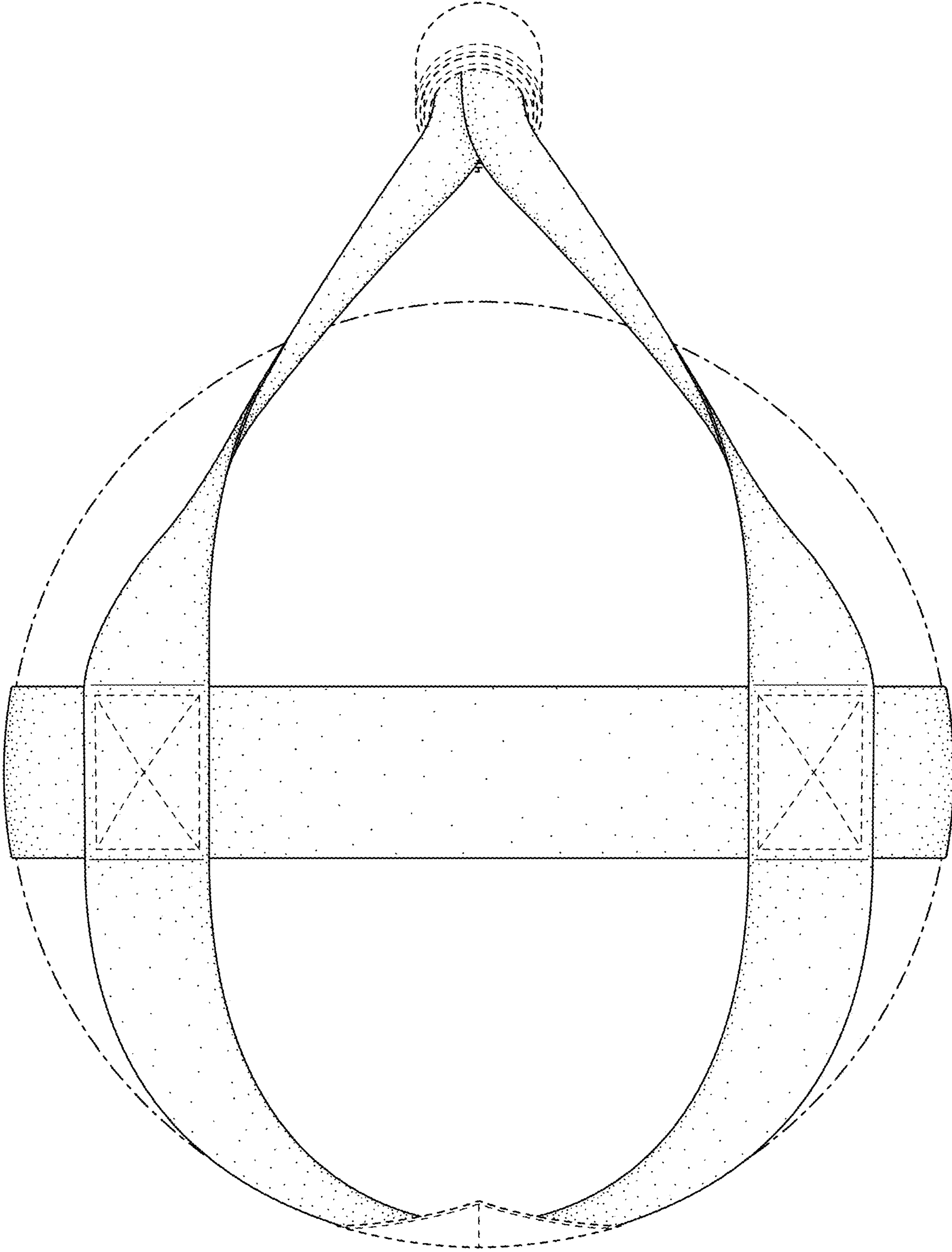


FIG. 4

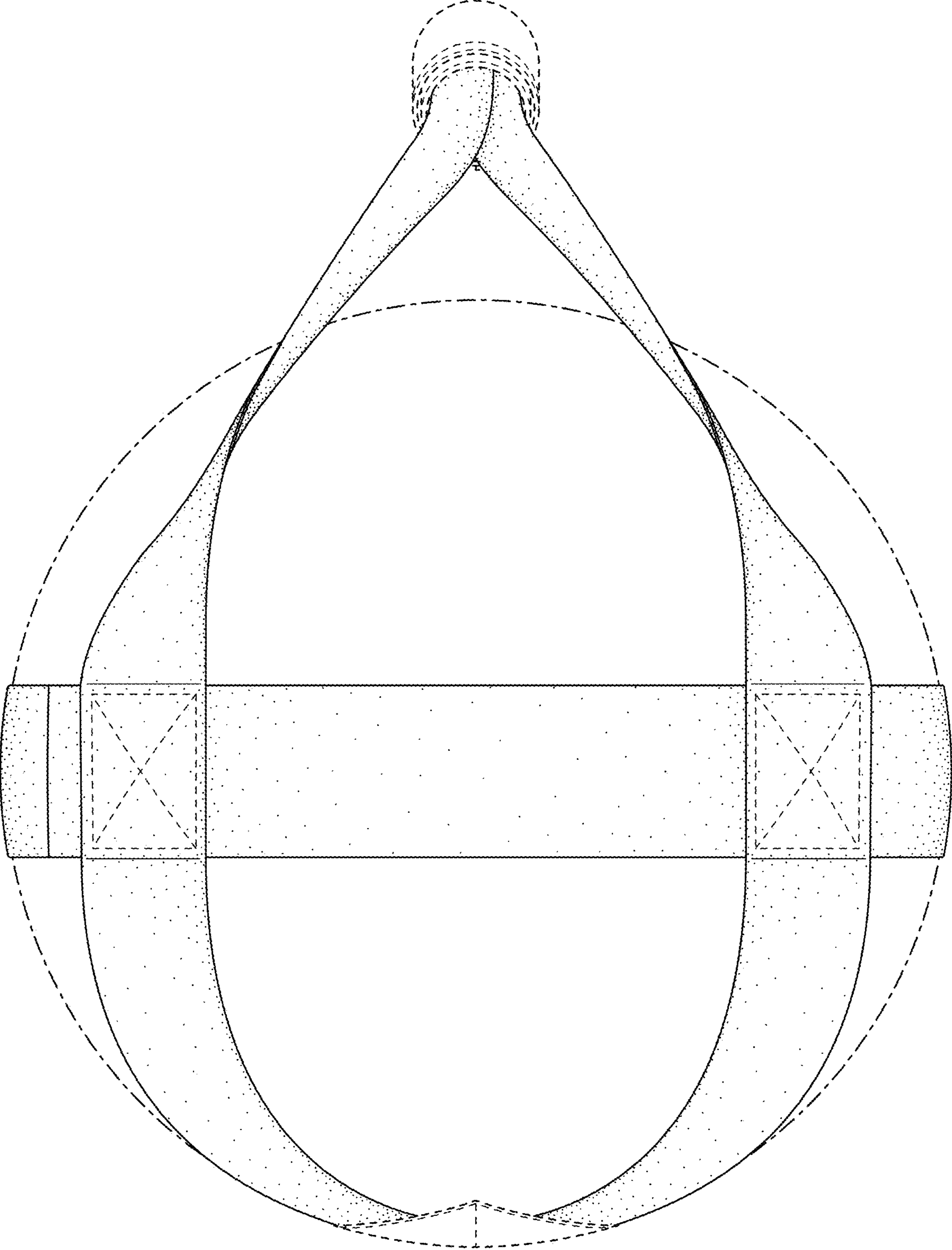


FIG. 5

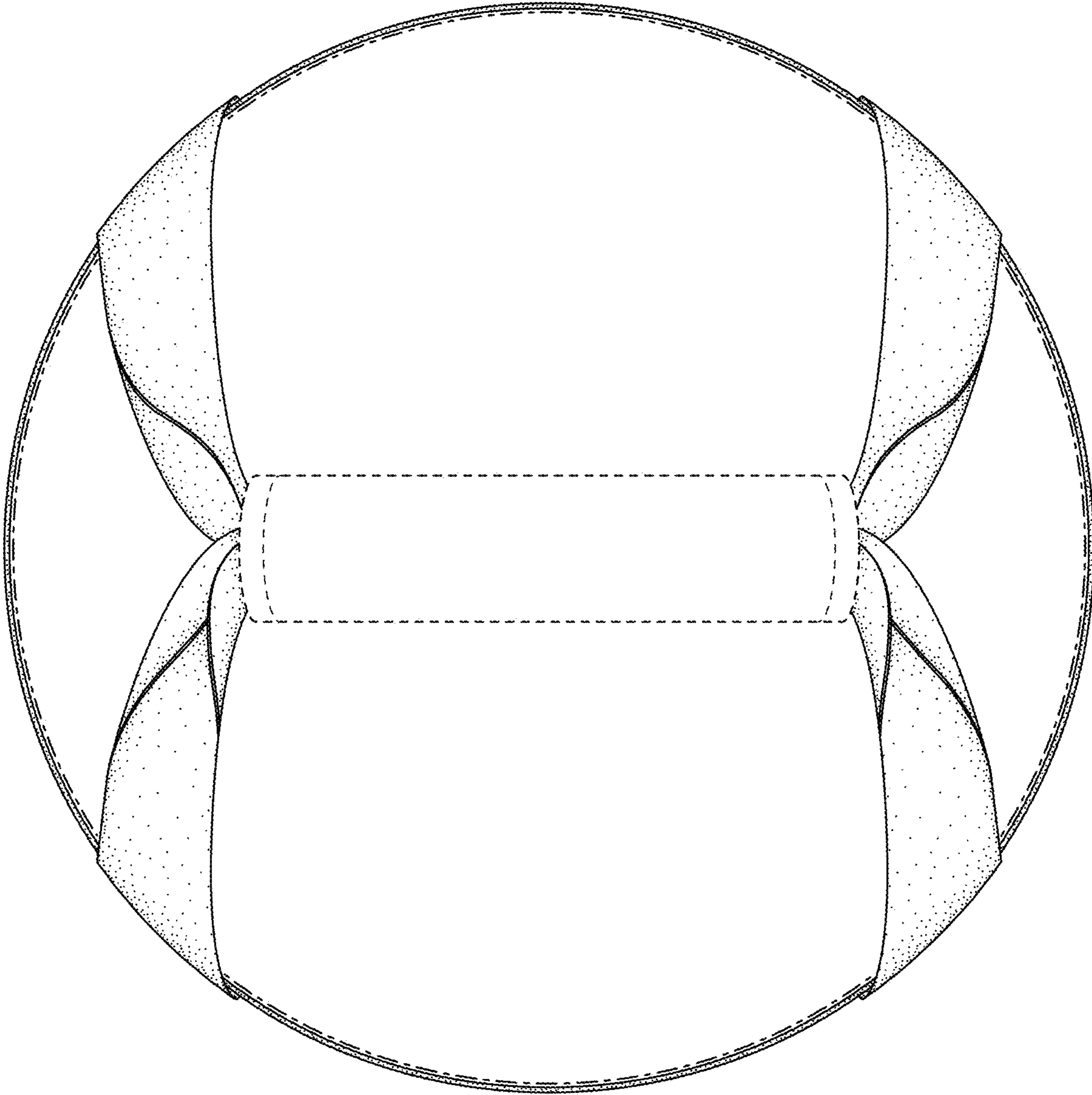


FIG. 6

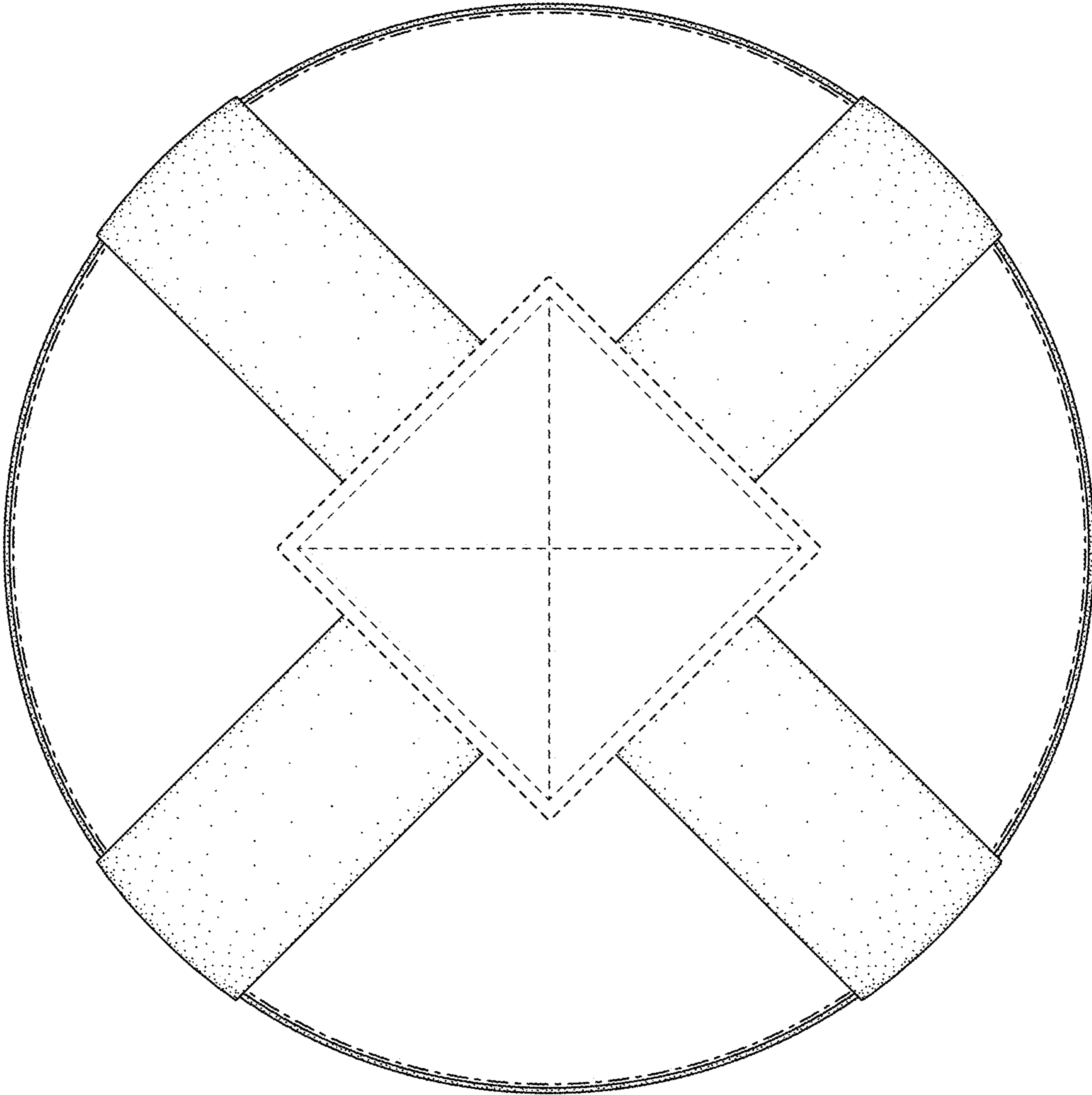


FIG. 7